



US00D466767S

(12) **United States Design Patent**
Sorensen et al.

(10) **Patent No.: US D466,767 S**

(45) **Date of Patent: ** Dec. 10, 2002**

(54) **SOCKET WRENCH WITH HANDLE-
HOUSED DRIVE SOCKETS**

4,627,315 A	12/1986	Lin	
4,727,782 A	3/1988	Yang	
D310,770 S	* 9/1990	Zamarripa D8/29
5,228,570 A	7/1993	Robinson	
5,320,004 A	6/1994	Hsiao	
5,421,225 A	6/1995	Chen	

(75) Inventors: **Joseph A. Sorensen**, Bozeman, MT
(US); **Charles A. Poremba**, Bozeman,
MT (US); **Howard F. Jelinek**,
Naperville, IL (US)

* cited by examiner

(73) Assignee: **WMH Tool Group, Inc.**, Palatine, IL
(US)

Primary Examiner—Raphael Barkai

(74) *Attorney, Agent, or Firm*—Fitch, Even, Tabin, &
Flannery

(**) Term: **14 Years**

(57) **CLAIM**

(21) Appl. No.: **29/158,251**

We claim the ornamental design for a socket wrench with
handle-housed drive sockets, as shown and described.

(22) Filed: **Mar. 28, 2002**

DESCRIPTION

Related U.S. Application Data

(63) Continuation-in-part of application No. 09/707,266, filed on
Nov. 6, 2000.

(51) **LOC (7) Cl.** **08-05**

(52) **U.S. Cl.** **D8/29**

(58) **Field of Search** D8/21-29; 81/177.4,
81/490, 177.1, 176.1, 119, 121.1-124.7,
177.2, 177.6, 489, 177.85, 60, 61, 62, 63.2

FIG. 1 is a perspective view of a socket wrench with
handle-housed drive sockets, the broken lines of the socket
wrench are for illustrative purposes only and form no part of
the claimed design;

FIG. 2 is a bottom plan view of the socket wrench with
handle-housed drive sockets of FIG. 1;

FIG. 3 is a top plan view of the socket wrench with
handle-housed drive sockets of FIG. 1;

FIG. 4 is a right side elevational view of the socket wrench
with handle-housed drive sockets of FIG. 1;

FIG. 5 is a left side elevational view of the socket wrench
with handle-housed drive sockets of FIG. 1;

FIG. 6 is a front elevational view of the socket wrench with
handle-housed drive sockets of FIG. 1;

FIG. 7 is a rear elevational view of the socket wrench with
handle-housed drive sockets of FIG. 1; and,

FIG. 8 is an exploded view of the socket wrench with
handle-housed drive sockets of FIG. 1.

(56) **References Cited**

U.S. PATENT DOCUMENTS

1,596,951 A	2/1926	Smith	
2,065,340 A	* 12/1936	McNaught et al.	
D194,708 S	* 2/1963	Fink D8/29
4,043,230 A	8/1977	Scrivens	
4,253,356 A	3/1981	Martinmass	
4,302,990 A	12/1981	Chrichton et al.	
4,352,307 A	10/1982	Martinmaas	
RE31,140 E	2/1983	Martinmaas	

1 Claim, 5 Drawing Sheets

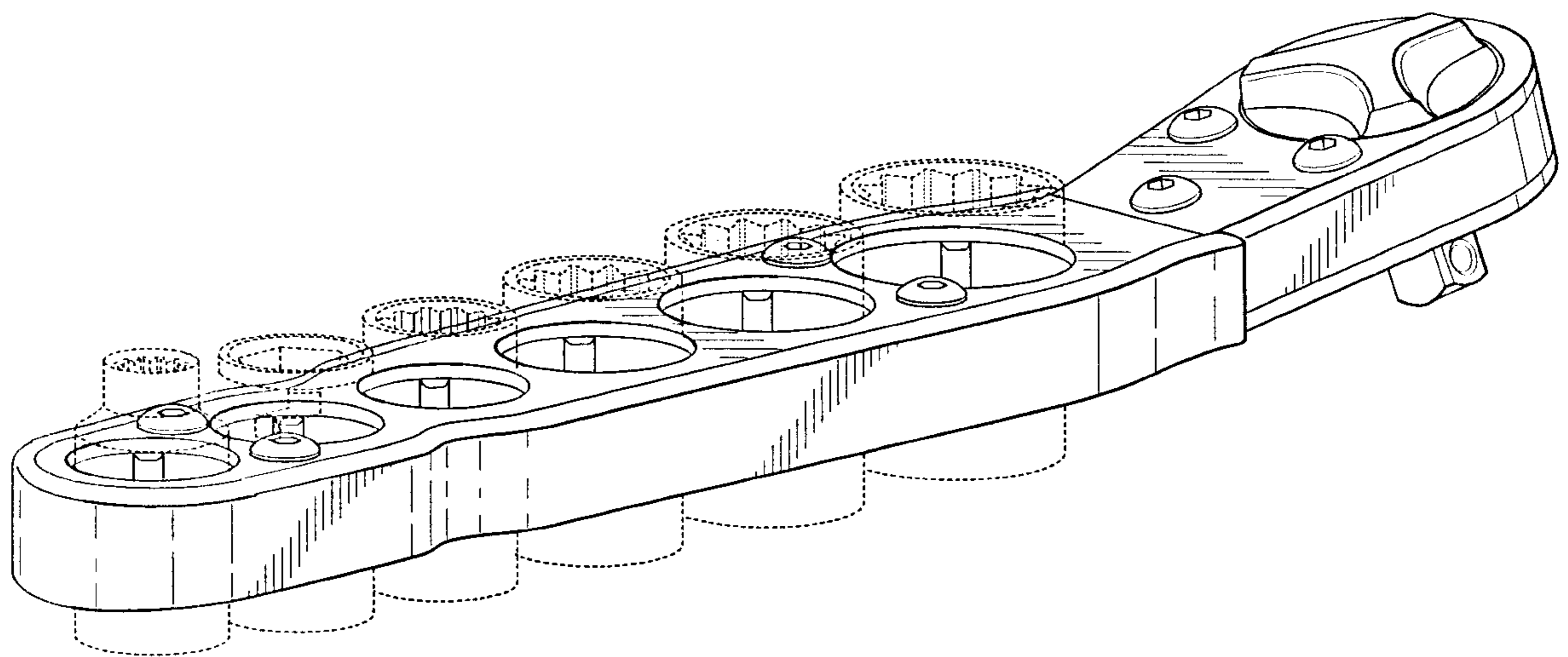


Fig. 1

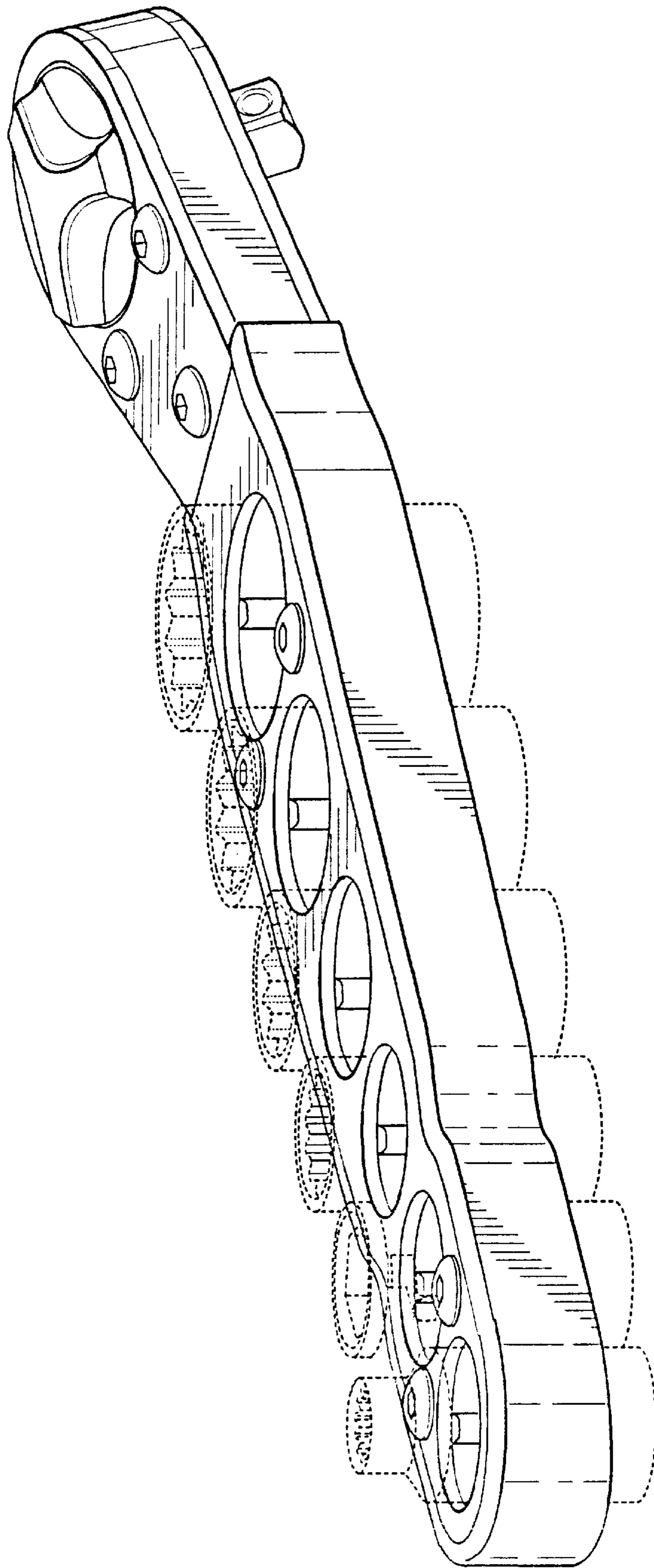


Fig. 2

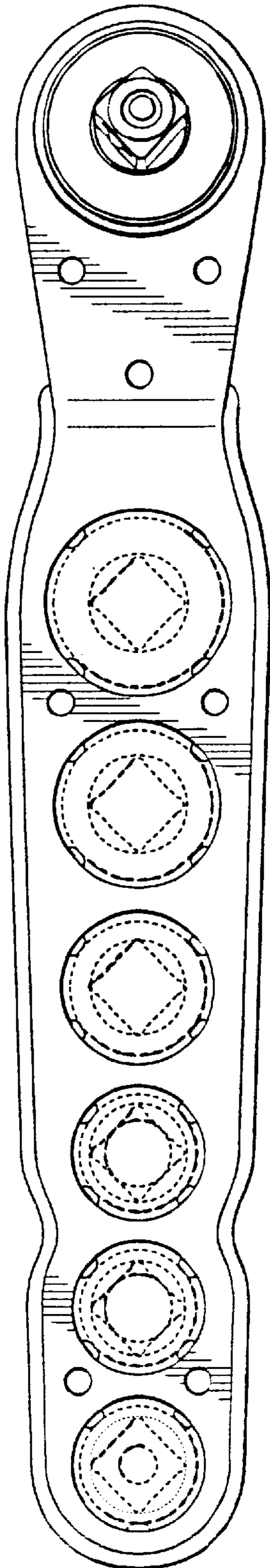


Fig. 3

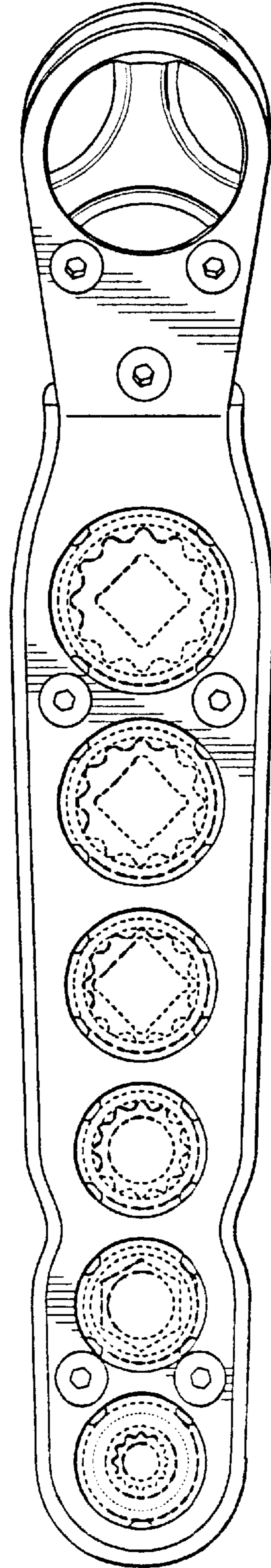


Fig. 4

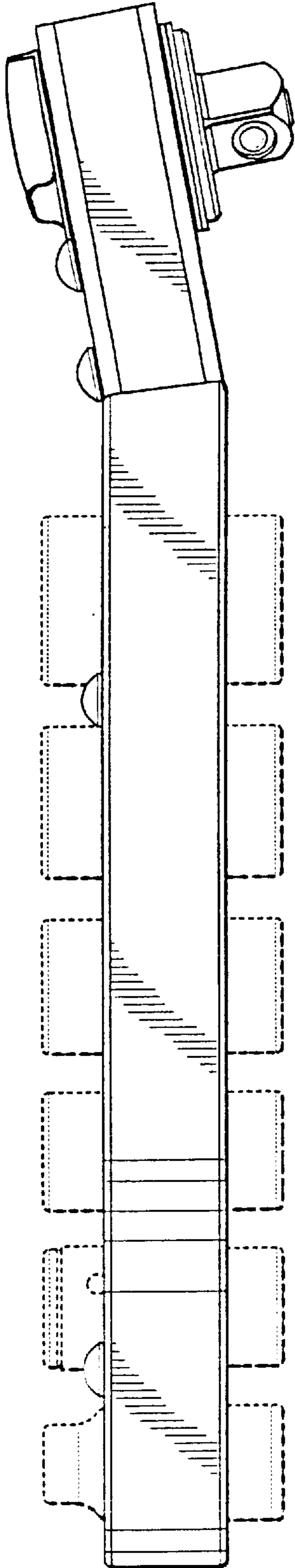


Fig. 5

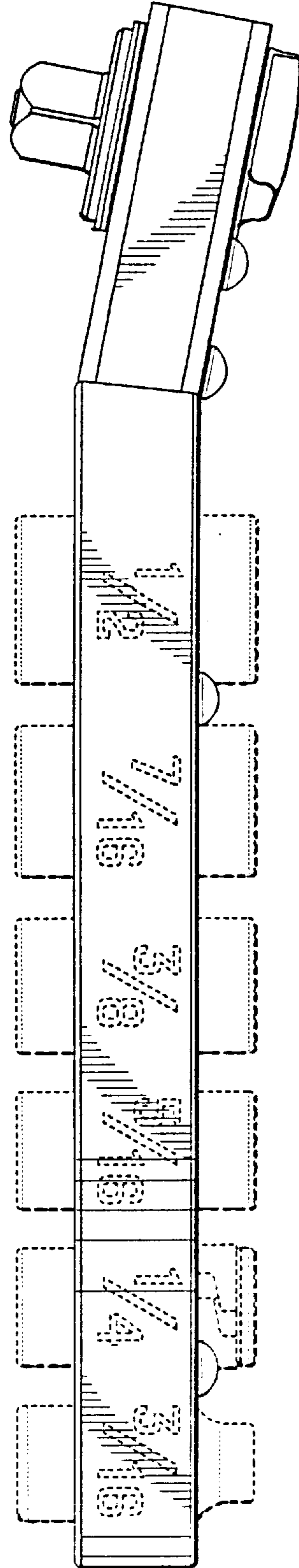


Fig. 6

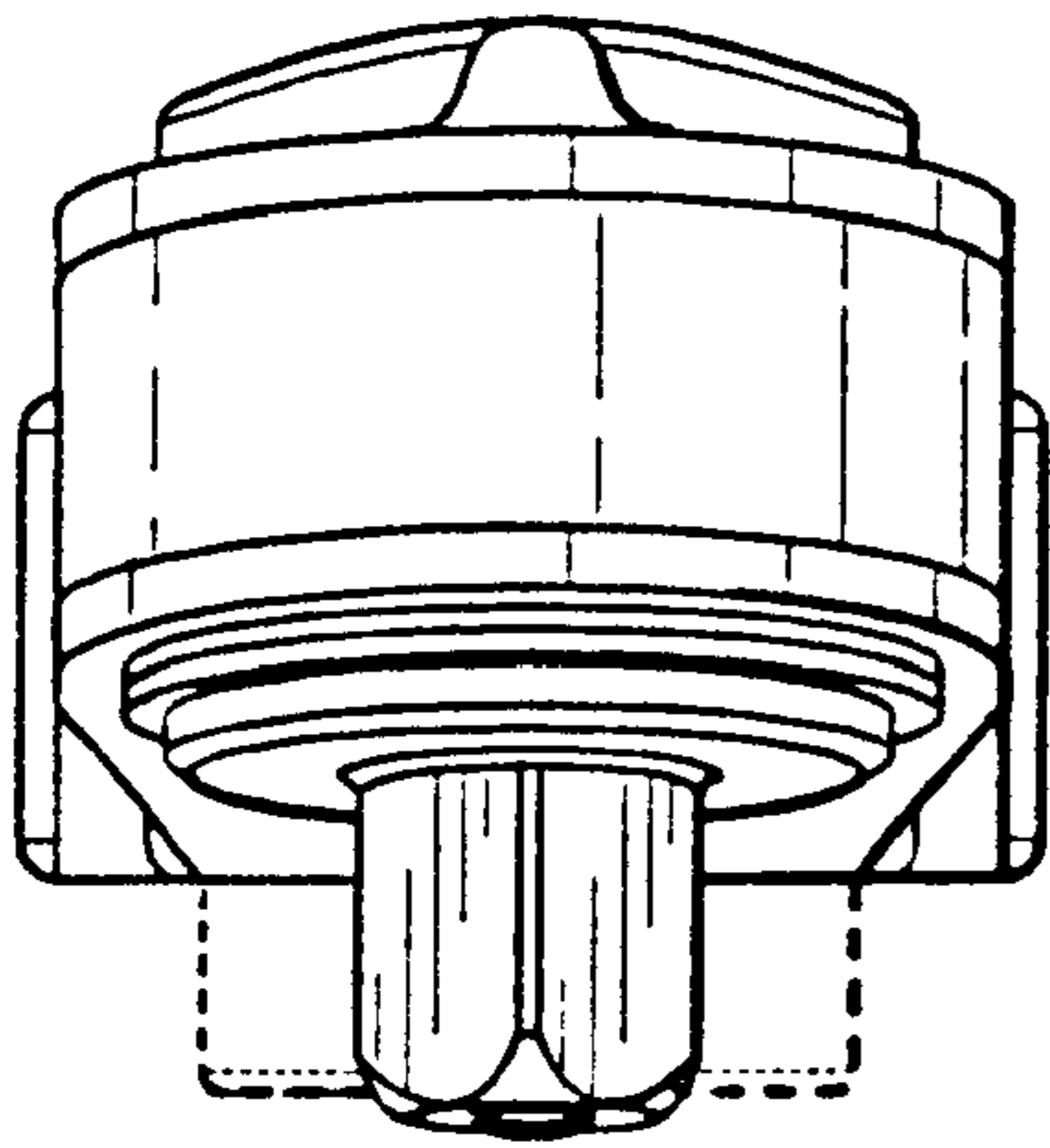


Fig. 7

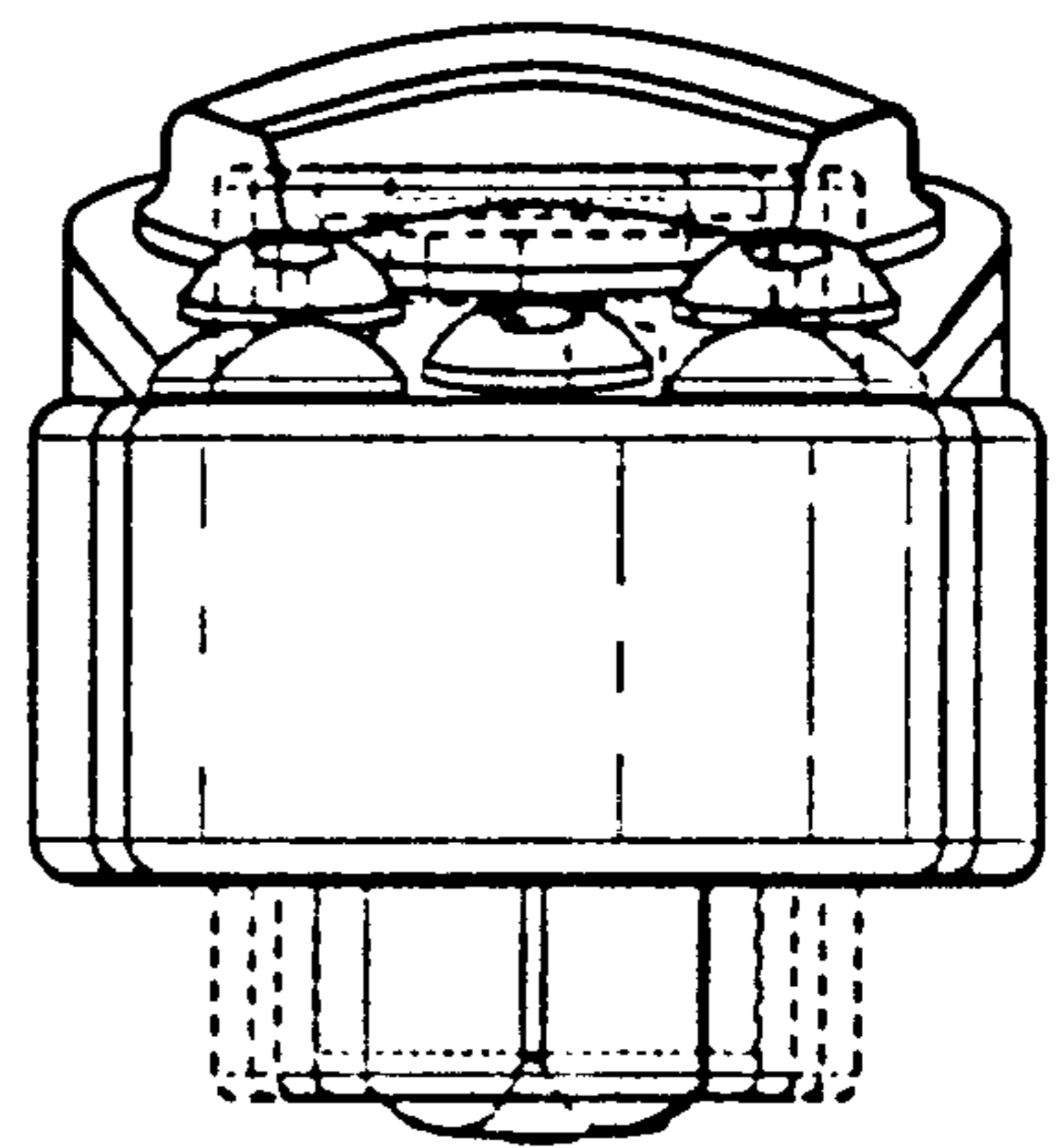


Fig. 8

