



US00D466766S

(12) **United States Design Patent**
Marty et al.

(10) **Patent No.:** **US D466,766 S**

(45) **Date of Patent:** **** Dec. 10, 2002**

(54) **WRENCH**

(75) Inventors: **Garry Marty**, Fishers, IN (US);
Gerald McNerney, Carmel, IN (US);
Scott Jones, Carmel, IN (US)

(73) Assignee: **Masco Corporation of Indiana**,
Indianapolis, IN (US)

(**) Term: **14 Years**

(21) Appl. No.: **29/146,382**

(22) Filed: **Aug. 8, 2001**

(51) **LOC (7) Cl.** **08-05**

(52) **U.S. Cl.** **D8/21; D8/29**

(58) **Field of Search** D8/21-29; 81/60-63.2,
81/177.1, 177.85, 177.8, 121.1, 124.3

(56) **References Cited**

U.S. PATENT DOCUMENTS

3,452,373 A	7/1969	Vosbikian et al.	
3,935,760 A	2/1976	Taylor	
4,357,845 A	11/1982	Cornia	
D274,973 S	* 8/1984	Waller	D8/21
4,602,534 A	* 7/1986	Moetteli	81/177.85
5,101,695 A	4/1992	Johnson	

5,297,458 A	*	3/1994	Smith et al.	81/124.3
5,542,321 A		8/1996	Fuca	
5,669,404 A		9/1997	Guillermo	
D398,493 S	*	9/1998	Jones	D8/29
5,910,197 A		6/1999	Chaconas	
5,960,681 A		10/1999	Anderson et al.	
5,996,447 A		12/1999	Bayouth	
6,138,531 A	*	10/2000	Lamons	81/60
D437,537 S		2/2001	Carter, Jr.	

* cited by examiner

Primary Examiner—Raphael Barkai

(74) *Attorney, Agent, or Firm*—Kwadjo Adusei-Poku;
Lloyd D. Doigan

(57) **CLAIM**

The ornamental design for a wrench, as shown and descibed.

DESCRIPTION

FIG. 1 is a top perspective view of a wrench showing our new design;

FIG. 2 is a bottom perspective view thereof;

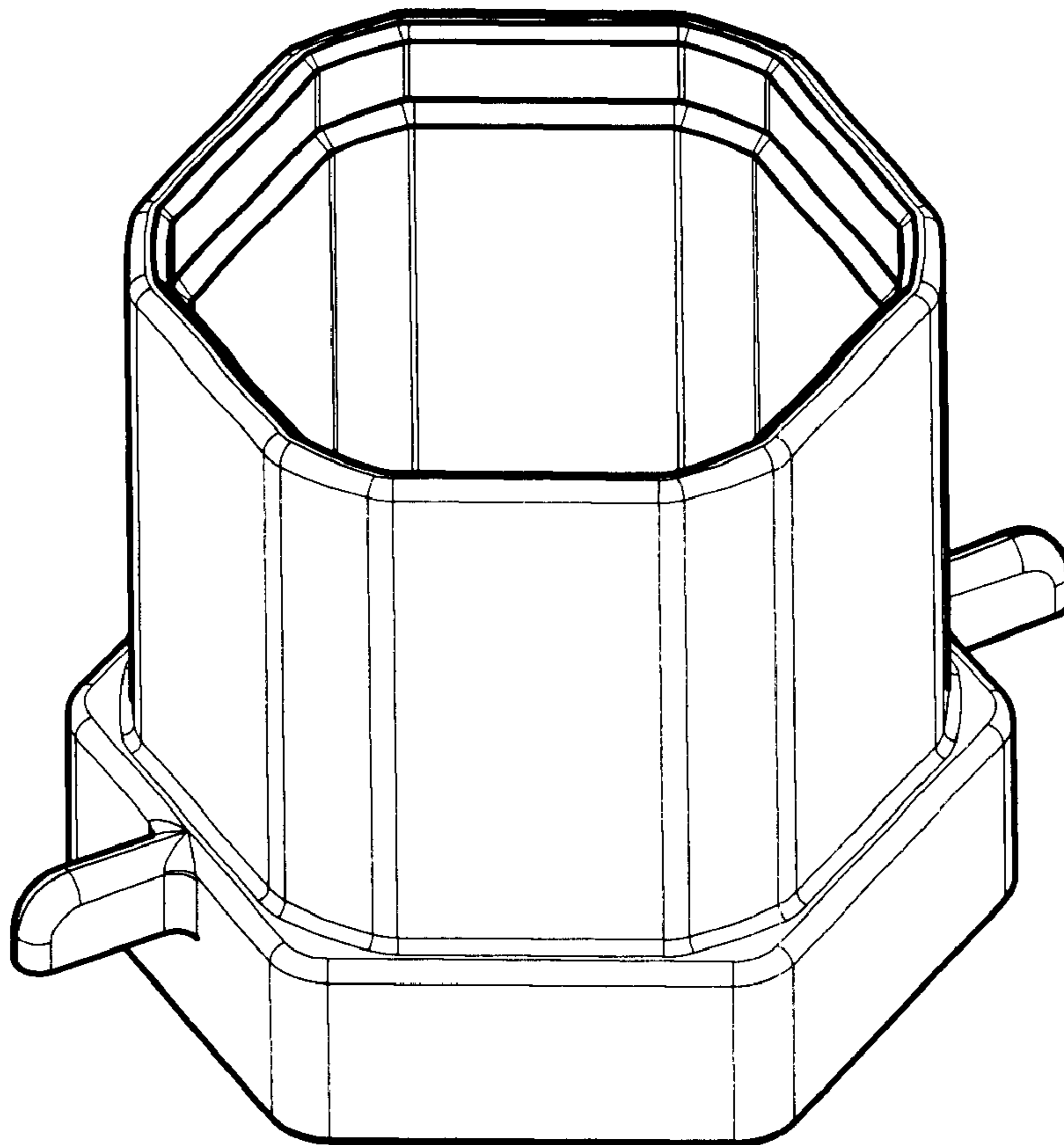
FIG. 3 is a top plan view thereof;

FIG. 4 is a front elevational view thereof;

FIG. 5 is a bottom plan view thereof; and,

FIG. 6 is a side elevational view thereof.

1 Claim, 3 Drawing Sheets



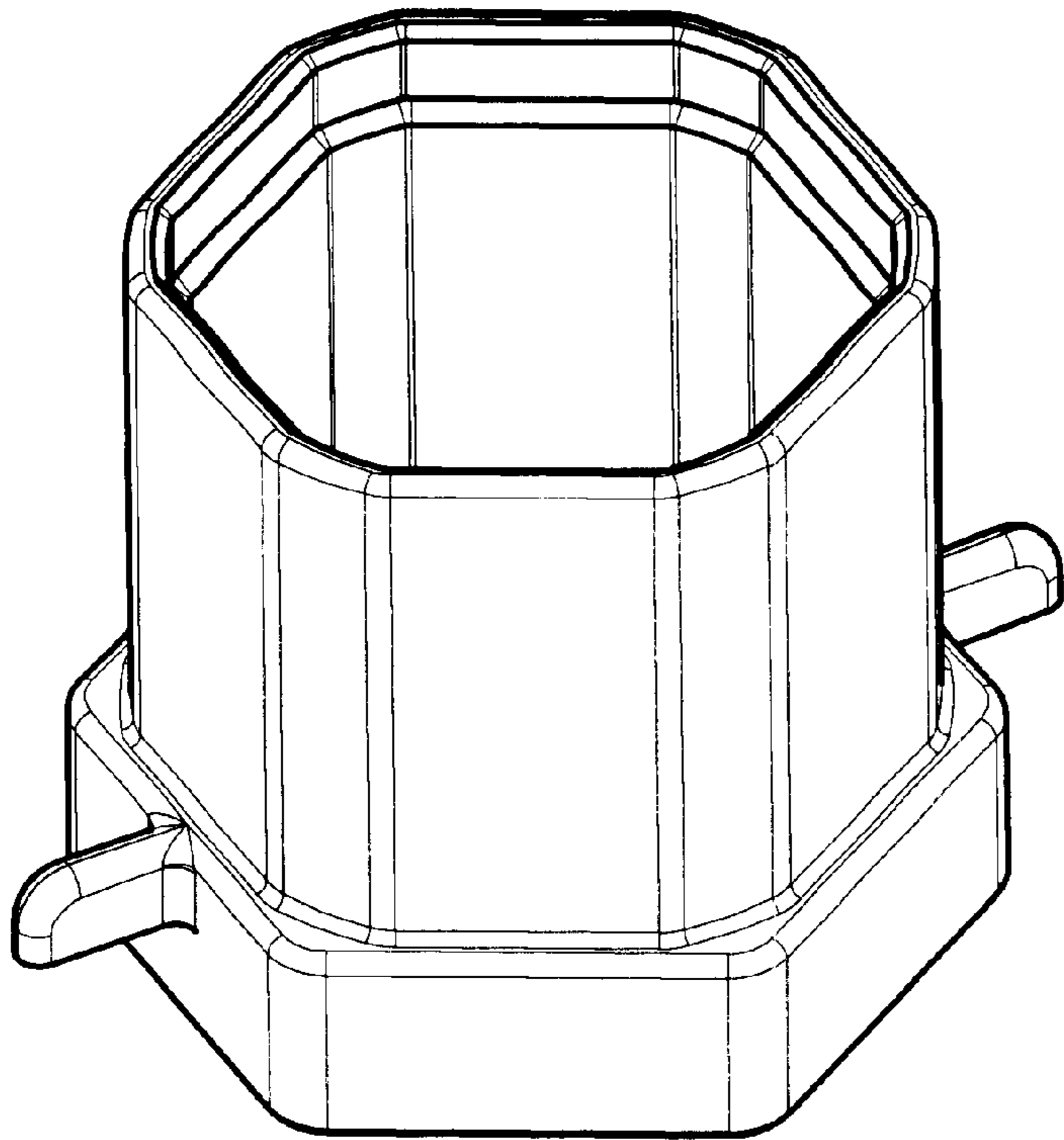


Figure - 1

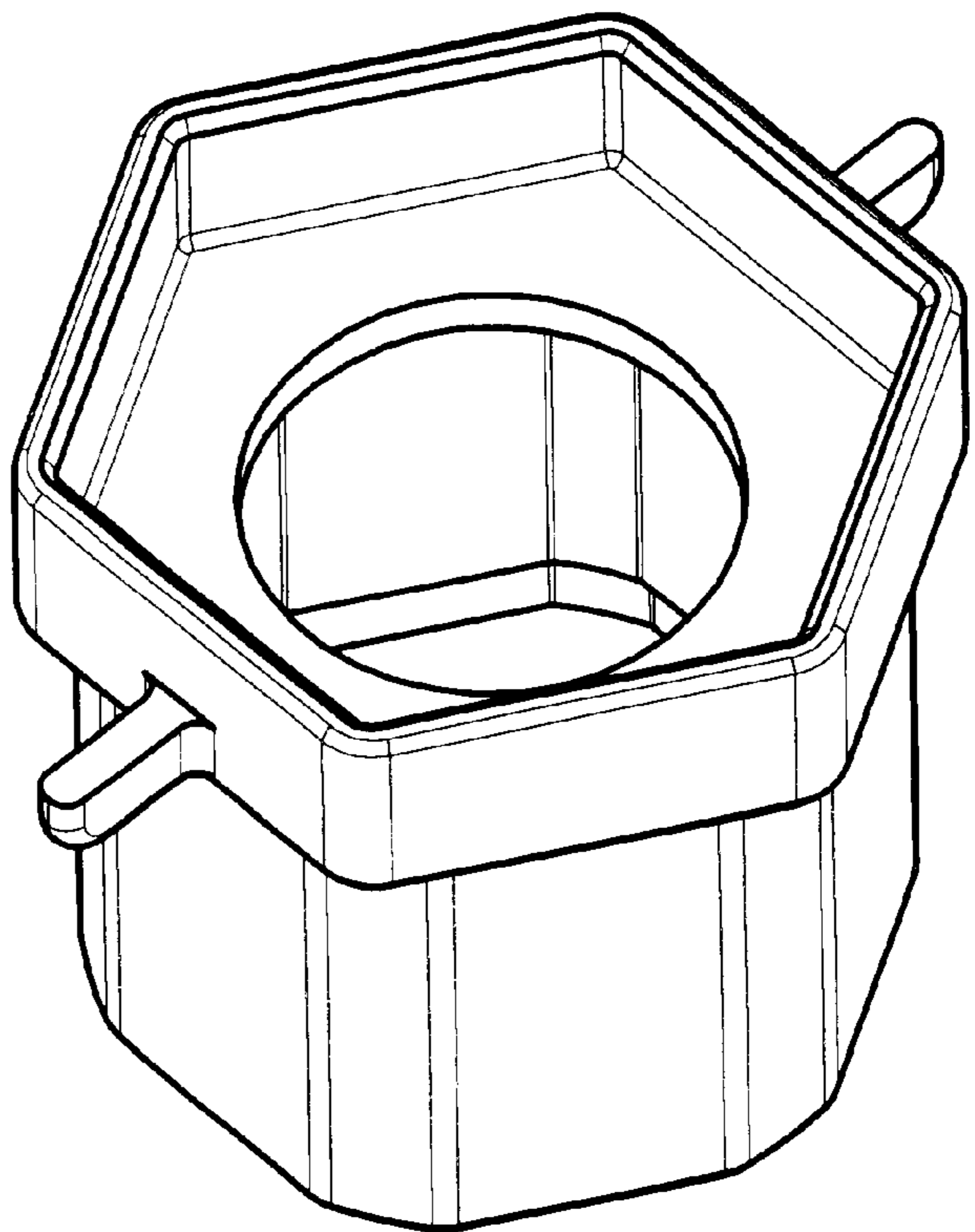


Figure - 2

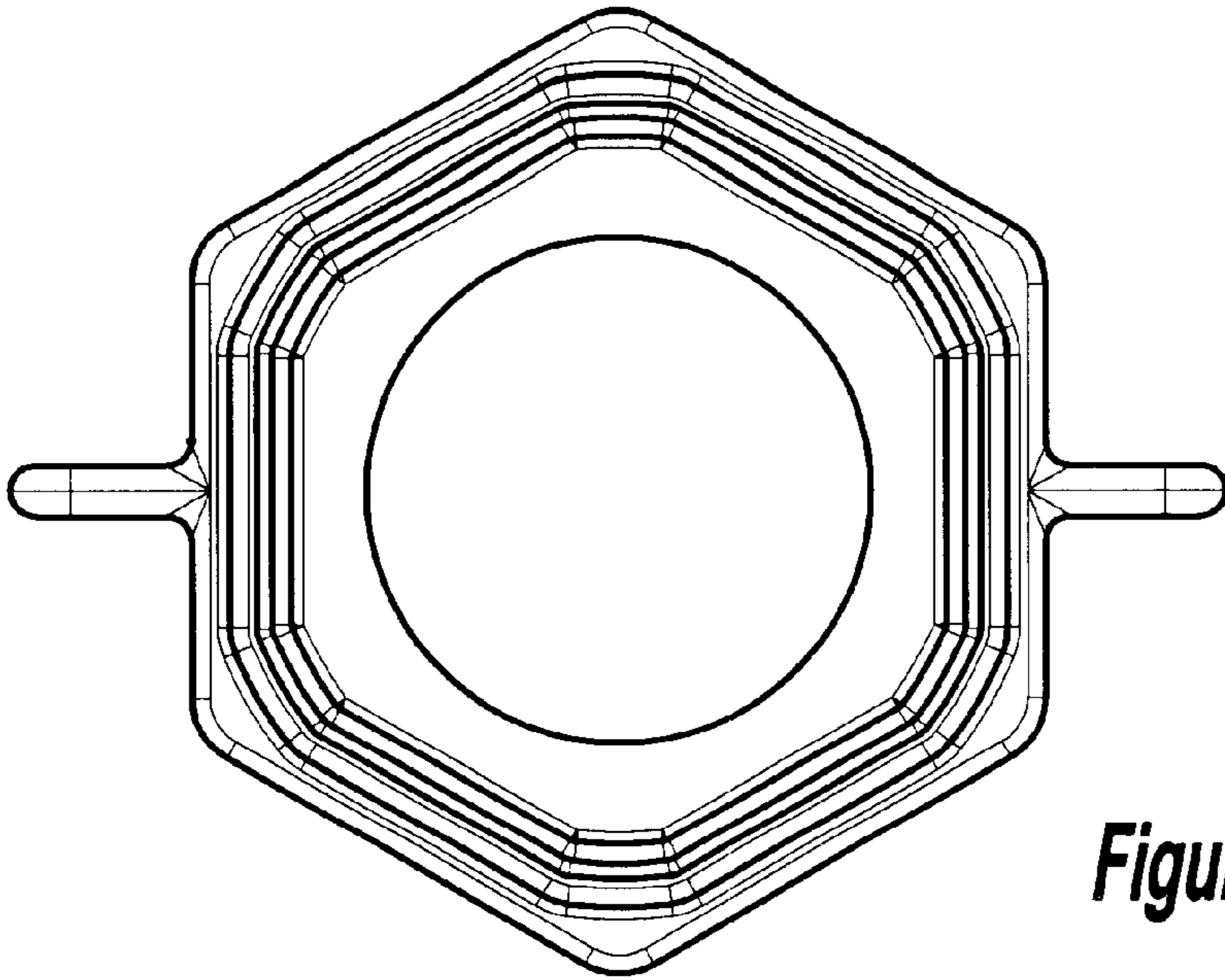
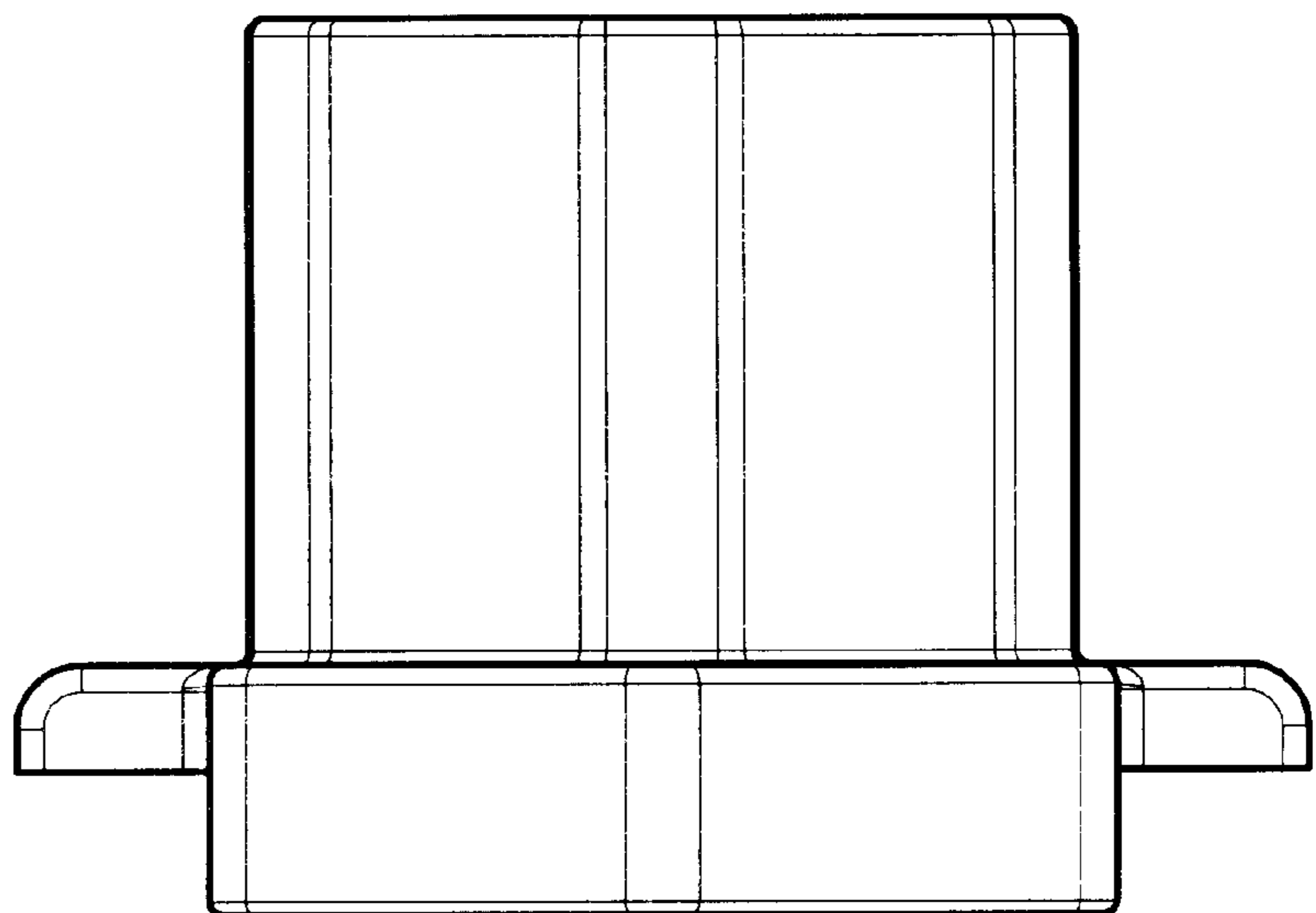


Figure - 3

Figure - 4



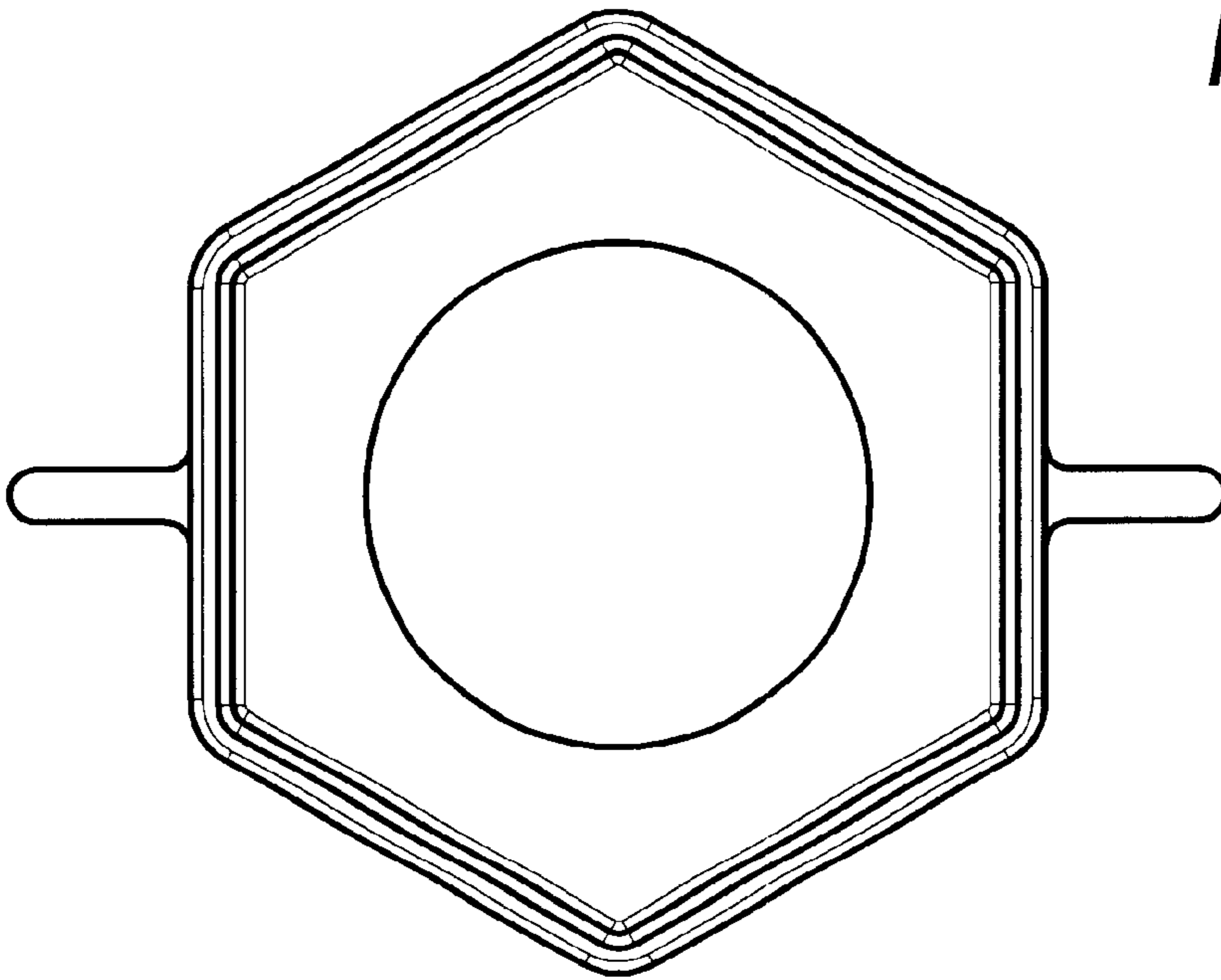


Figure - 5

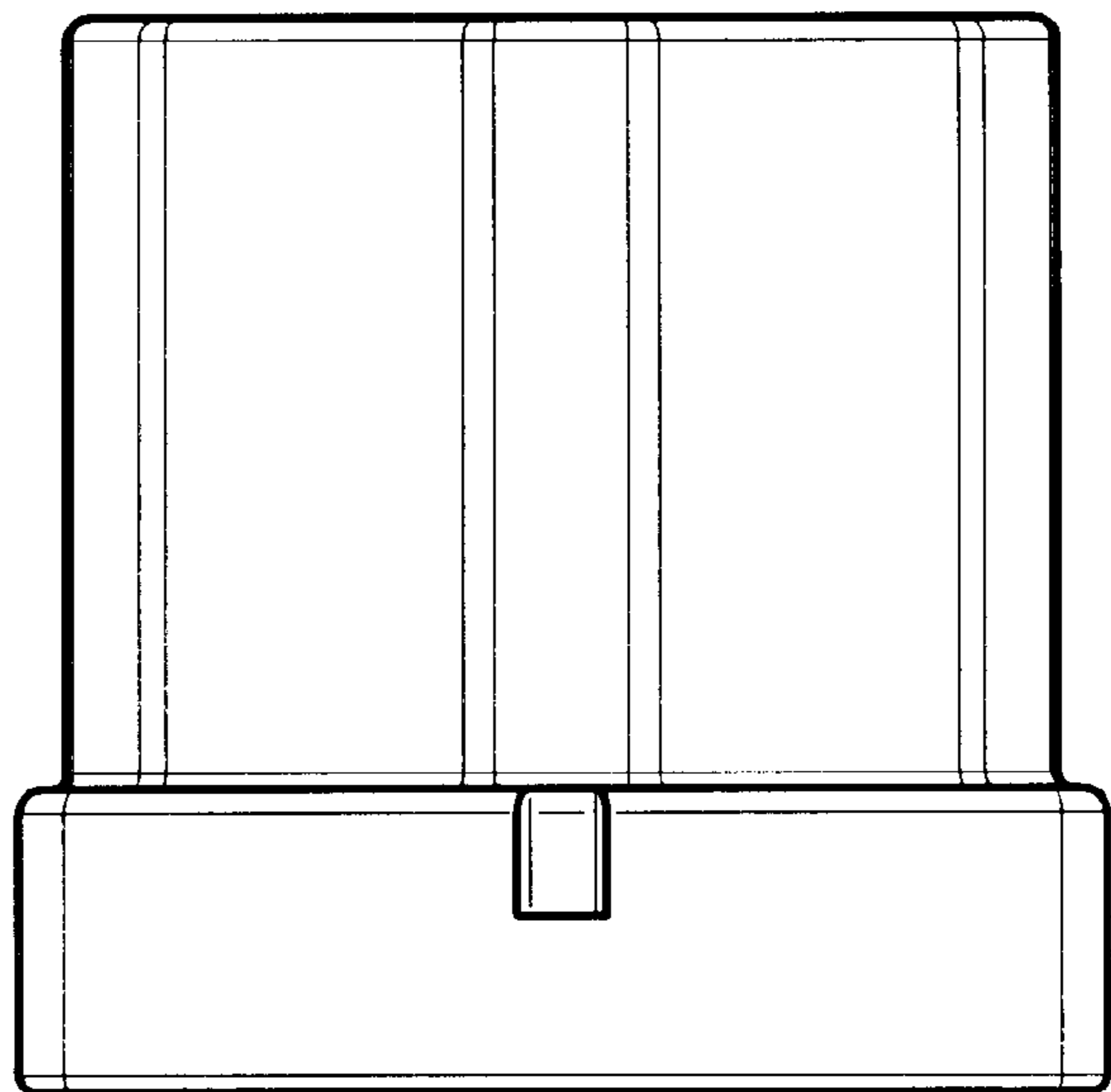


Figure - 6