



US00D466763S

(12) **United States Design Patent**  
**Wu**

(10) **Patent No.:** **US D466,763 S**

(45) **Date of Patent:** **\*\* Dec. 10, 2002**

(54) **STORAGE STAND**

D390,754 S \* 2/1998 Bank ..... D7/590 X  
D398,482 S \* 9/1998 Wang ..... D7/590

(76) Inventor: **Ming-Hung Wu**, No. 11, Alley 12,  
Yung-Hung Lane, Jen-Wu Hsiang,  
Kaohsiung Hsien (TW)

\* cited by examiner

(\*\*) Term: **14 Years**

*Primary Examiner*—Terry A. Wallace

(74) *Attorney, Agent, or Firm*—Jackson Walker L.L.P.

(21) Appl. No.: **29/152,457**

(57) **CLAIM**

(22) Filed: **Dec. 19, 2001**

The ornamental design for a storage stand, as shown and described.

(51) **LOC (7) Cl.** ..... **07-06**

**DESCRIPTION**

(52) **U.S. Cl.** ..... **D7/637; D7/590; D19/85**

(58) **Field of Search** ..... D7/590, 637-641,  
D7/701, 707, 708; D6/457, 468, 476; D11/143;  
D19/75, 77, 81, 84, 85, 95; 211/71.01,  
74, 75, 126.1, 126.14, 119.005, 77, 128.1,  
88.03

FIG. 1 is a perspective view of a storage stand, showing my new design;

FIG. 2 is a front view thereof;

FIG. 3 is a rear view thereof;

FIG. 4 is a left side view thereof;

FIG. 5 is a right side view thereof;

FIG. 6 is a top plan view thereof;

FIG. 7 is a bottom plan view thereof; and,

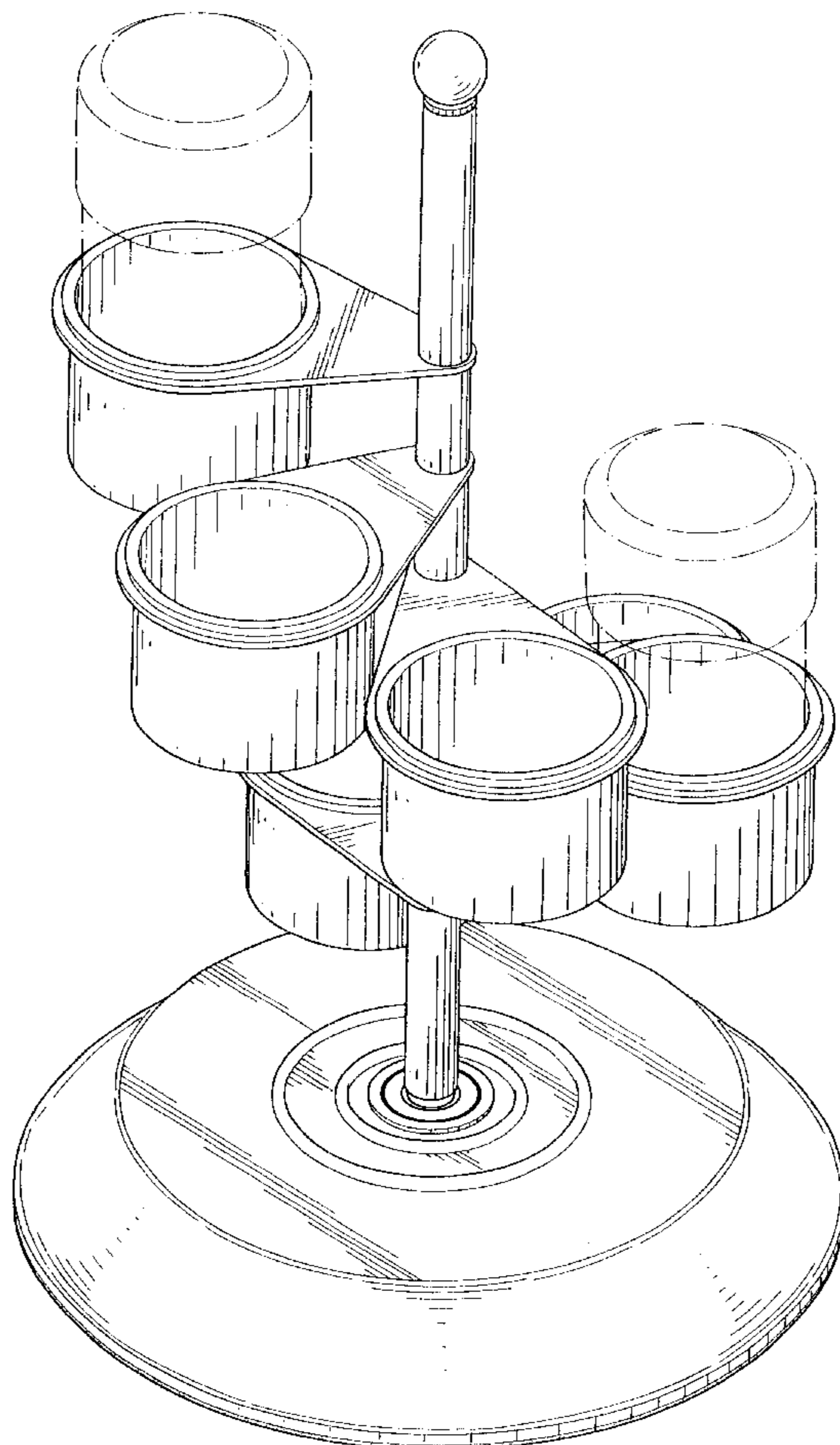
FIG. 8 is a perspective view of the preferred embodiment showing that containers are received in the storage stand, wherein the elements shown in broken lines are for illustrated purpose only and form no part of the invention.

(56) **References Cited**

**U.S. PATENT DOCUMENTS**

- 113,035 A \* 3/1871 Erkson ..... 211/77
- 214,061 A \* 4/1879 Stearns ..... 211/77
- 2,946,456 A \* 7/1960 Liguori ..... 211/77
- 3,782,296 A \* 1/1974 Moretini ..... 211/128.1
- 5,251,399 A \* 10/1993 Rasmussen ..... 211/88.03

**1 Claim, 8 Drawing Sheets**



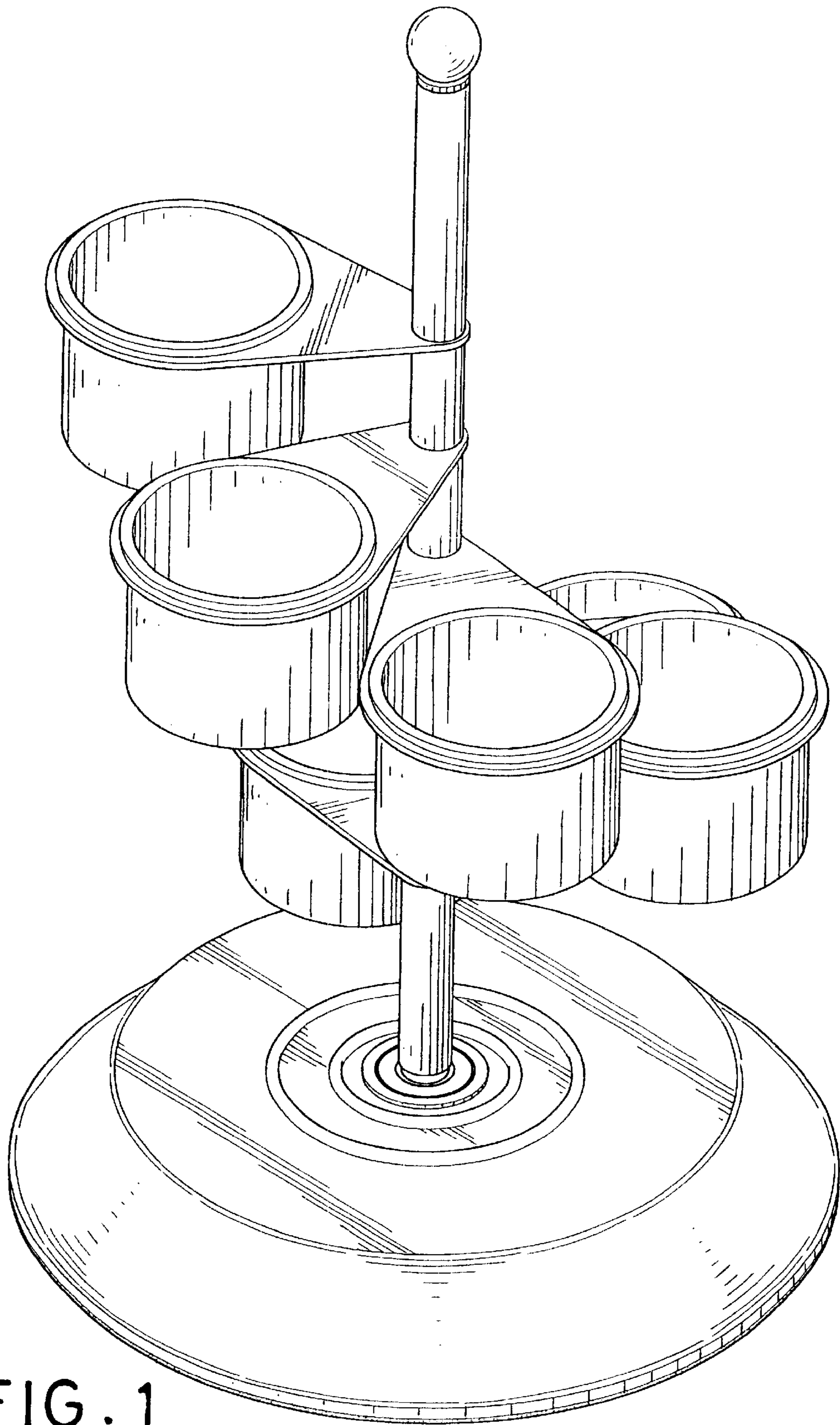


FIG. 1

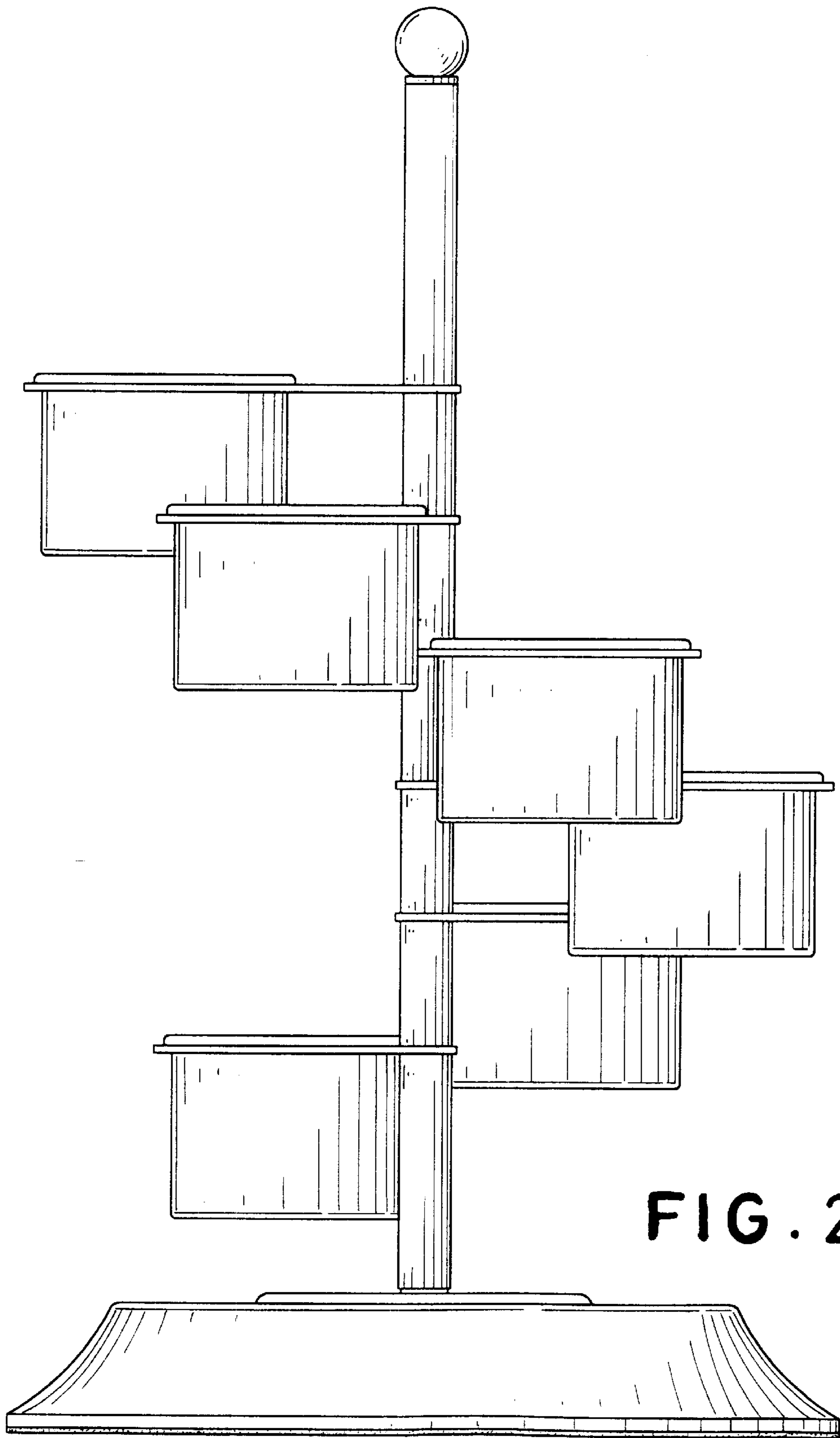


FIG. 2

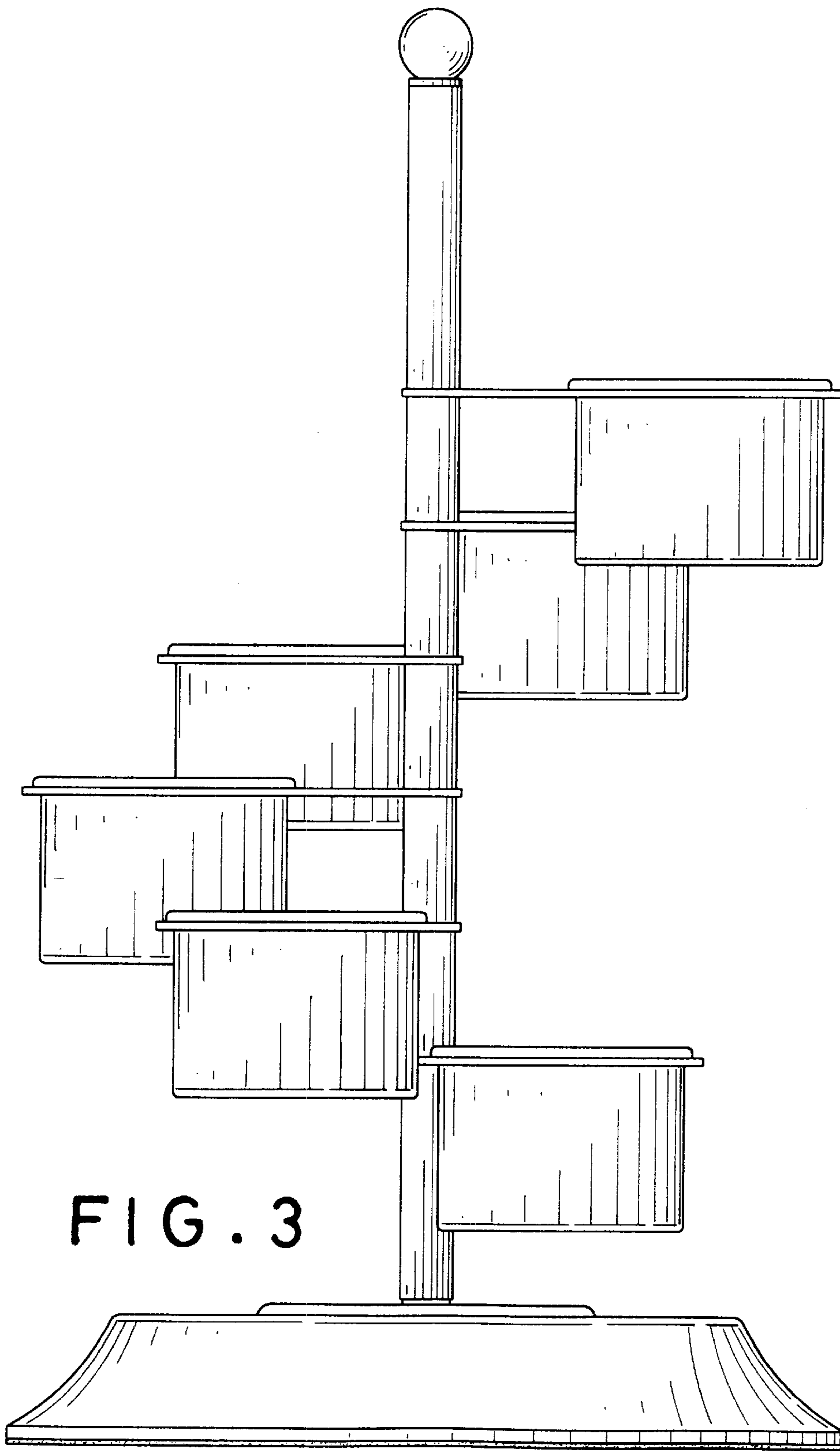


FIG. 3

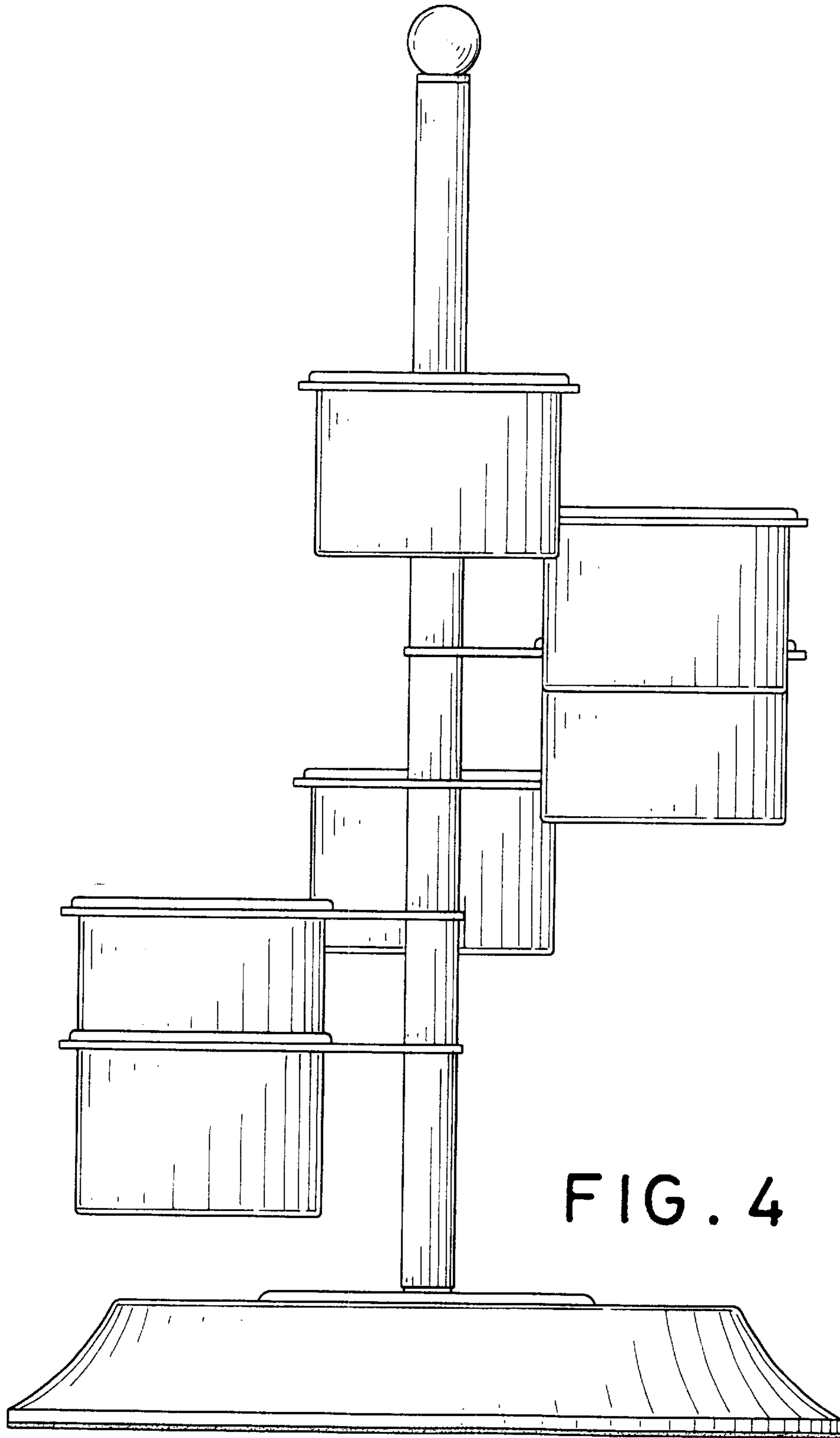


FIG. 4

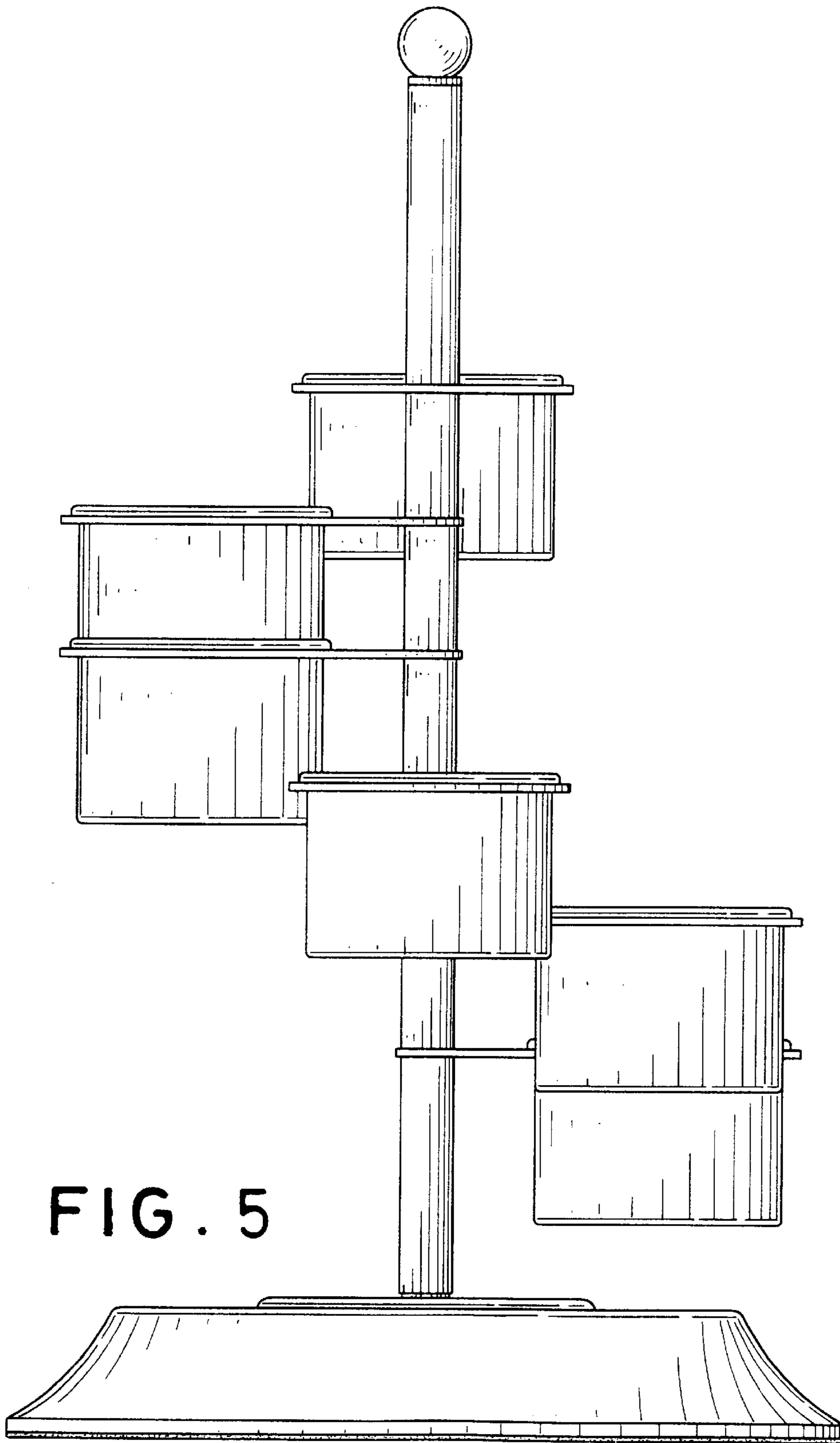


FIG. 5

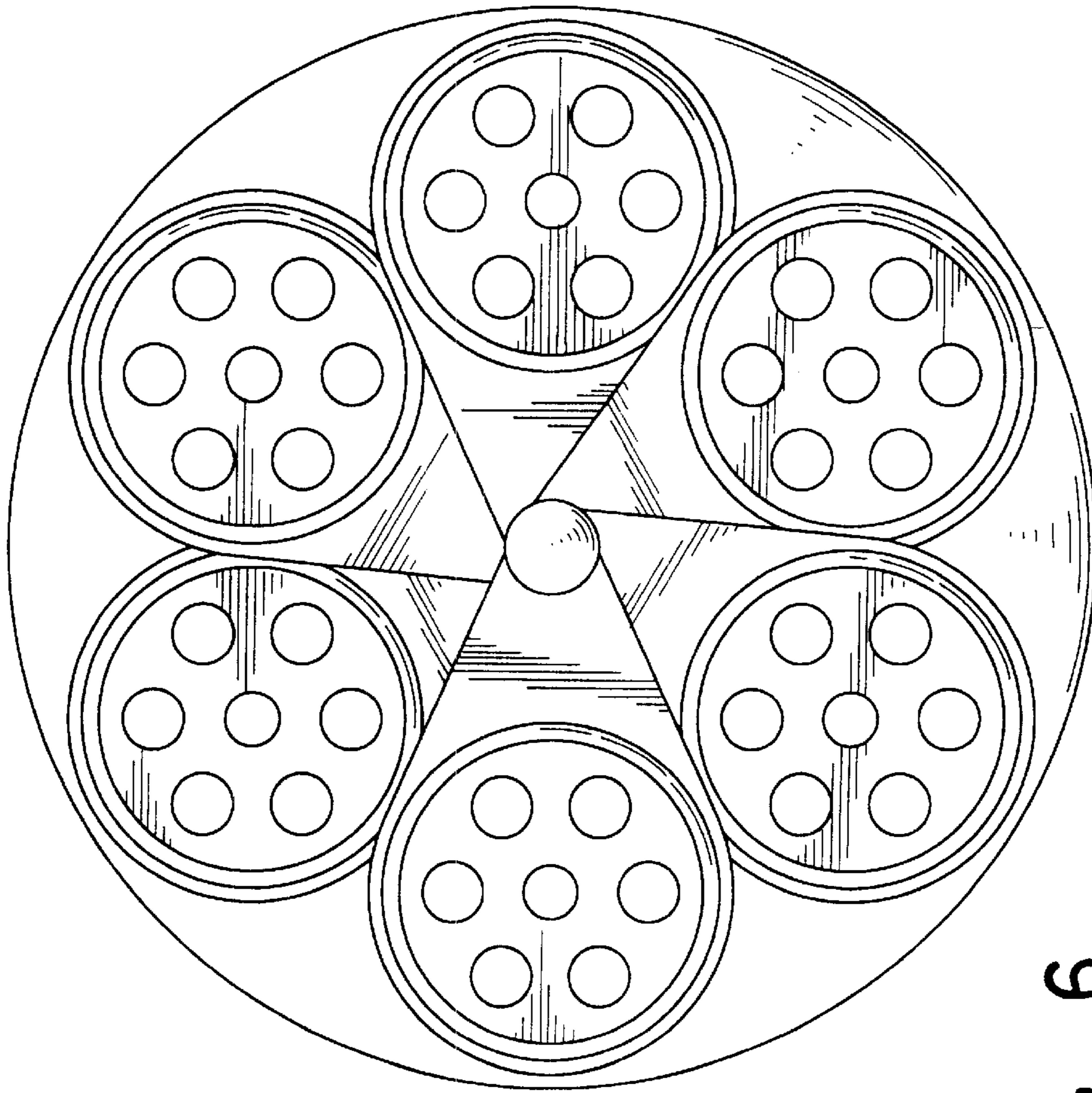
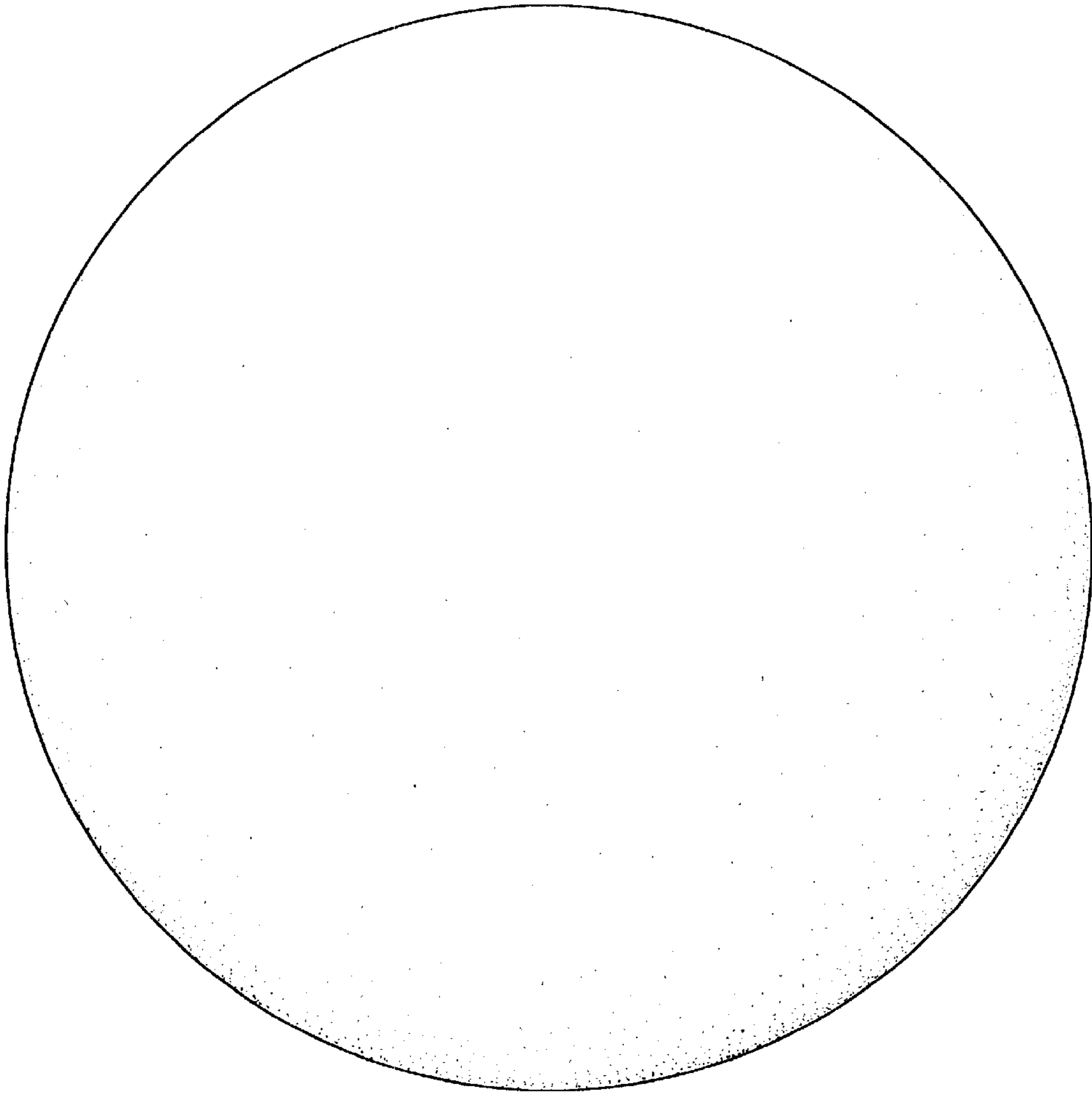


FIG. 6



**FIG . 7**



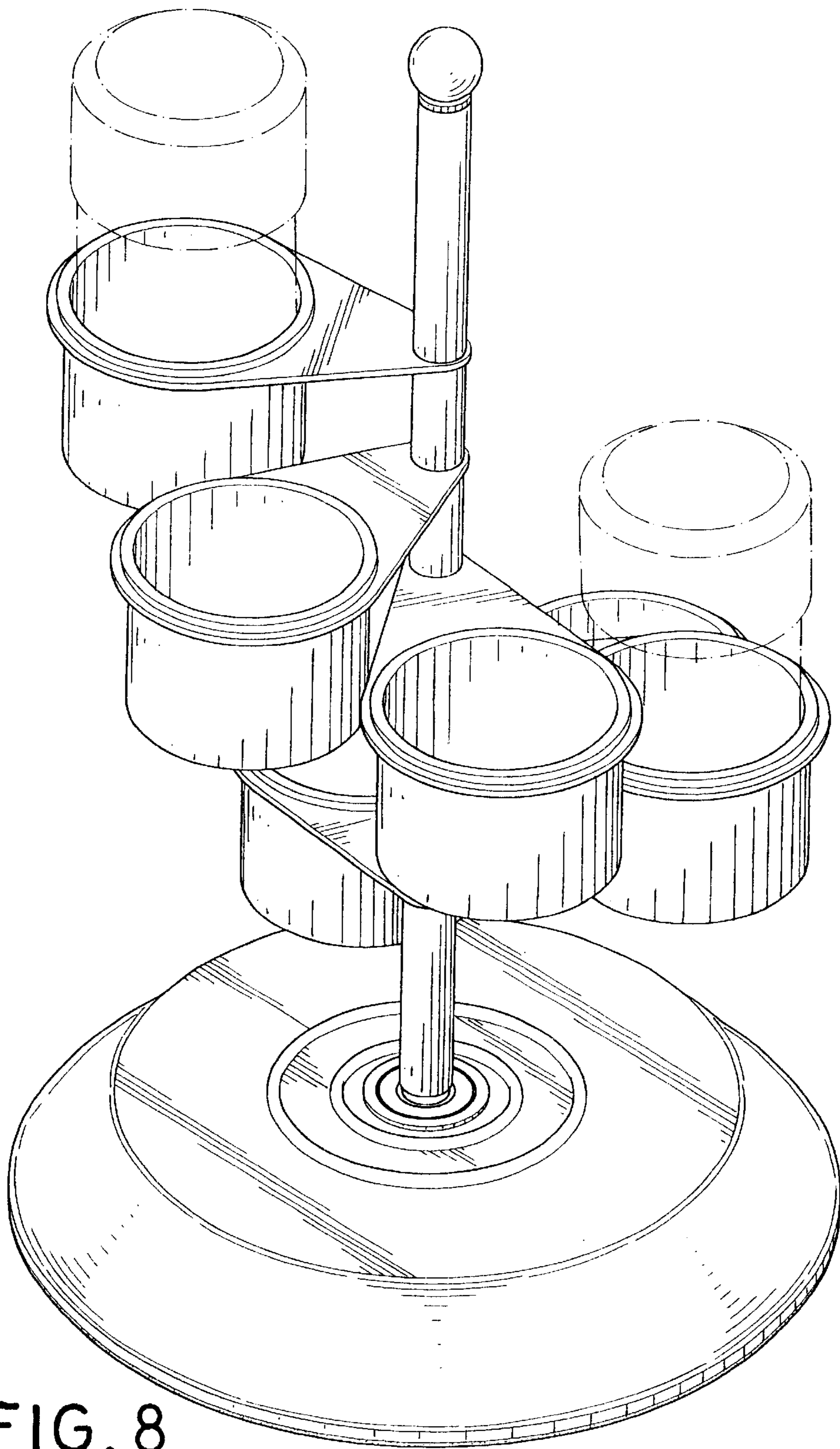


FIG. 8