



US00D466759S

(12) **United States Design Patent**
Moore

(10) **Patent No.:** **US D466,759 S**

(45) **Date of Patent:** **** Dec. 10, 2002**

(54) **BLENDER**

(75) **Inventor:** **Devin Lee Moore**, Decatur, GA (US)

(73) **Assignee:** **Conair CIP, Inc.**, Stamford, CT (US)

(**) **Term:** **14 Years**

(21) **Appl. No.:** **29/153,592**

(22) **Filed:** **Jan. 10, 2002**

(51) **LOC (7) Cl.** **31-00**

(52) **U.S. Cl.** **D7/378**

(58) **Field of Search** D7/376-386, 412,
D7/413; 241/33, 101.01, 282.2, 285.1, 285.2,
301; 366/65, 197, 199, 241, 349

(56) **References Cited**

U.S. PATENT DOCUMENTS

D195,241 S	5/1963	Chapman et al.	D7/386
D204,924 S	5/1966	Di Sesa et al.	D7/378
D214,227 S	* 5/1969	Madl	D7/378
3,537,691 A	* 11/1970	Tsuruta et al.	241/282.2
D232,297 S	8/1974	Mantelet	D7/378
D339,715 S	9/1993	Barrault	D7/378
D347,144 S	5/1994	Brady	D7/413
D373,504 S	9/1996	Leverrier	D7/378
D386,357 S	11/1997	Davidson	D7/378

D387,948 S 12/1997 Leverrier D7/378

D394,986 S 6/1998 Lallemand D7/378

D434,596 S 12/2000 Naft et al. D7/378

D450,978 S 11/2001 Smith D7/378

D453,443 S 2/2002 Hoare et al. D7/378

* cited by examiner

Primary Examiner—Caron D. Veynar

(74) *Attorney, Agent, or Firm*—Ohlandt, Greeley, Ruggiero & Perle, LLP

(57) **CLAIM**

The ornamental design for a blender, as shown and described.

DESCRIPTION

FIG. 1 is a first side view of a blender according to the present invention;

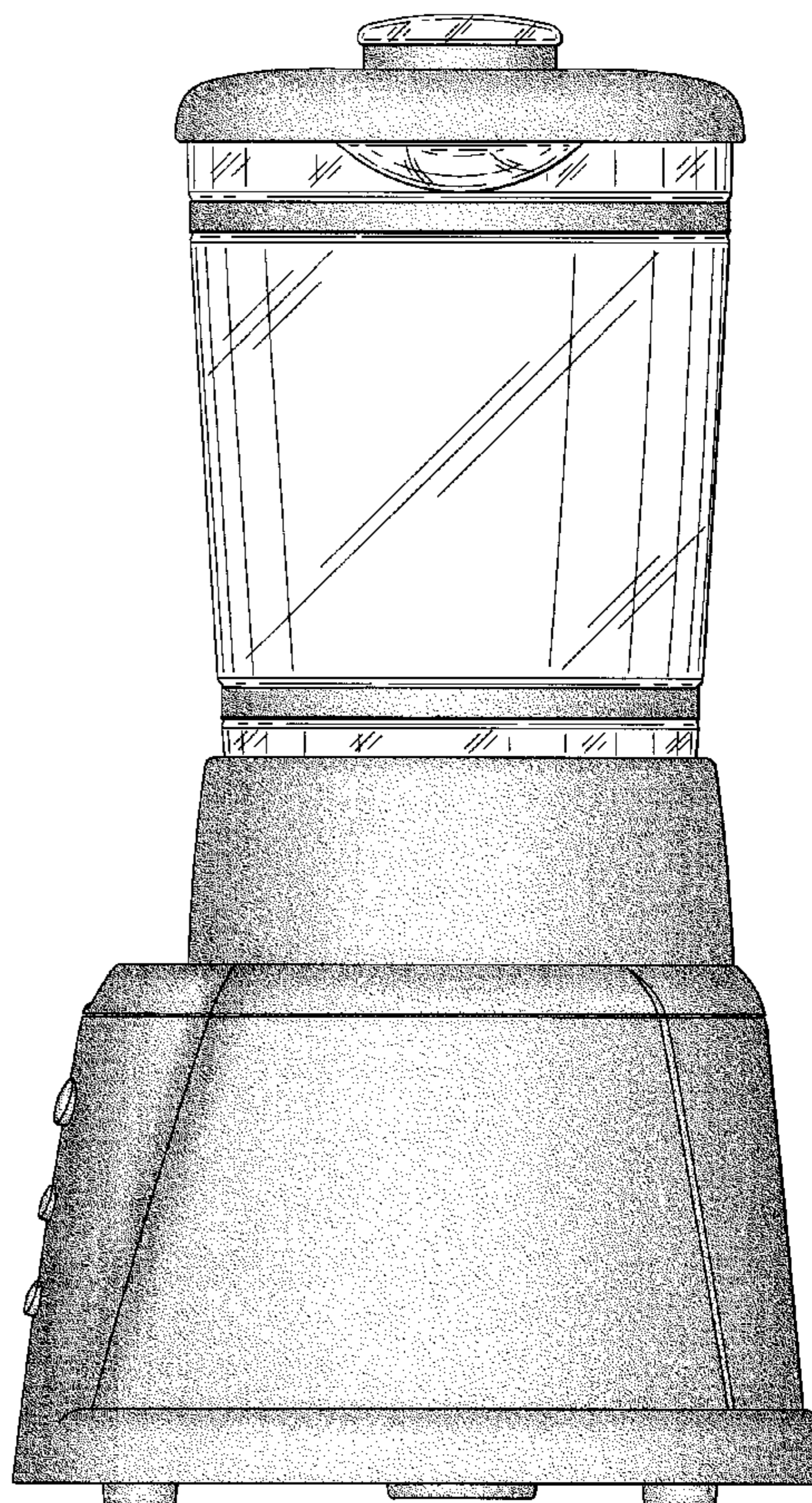
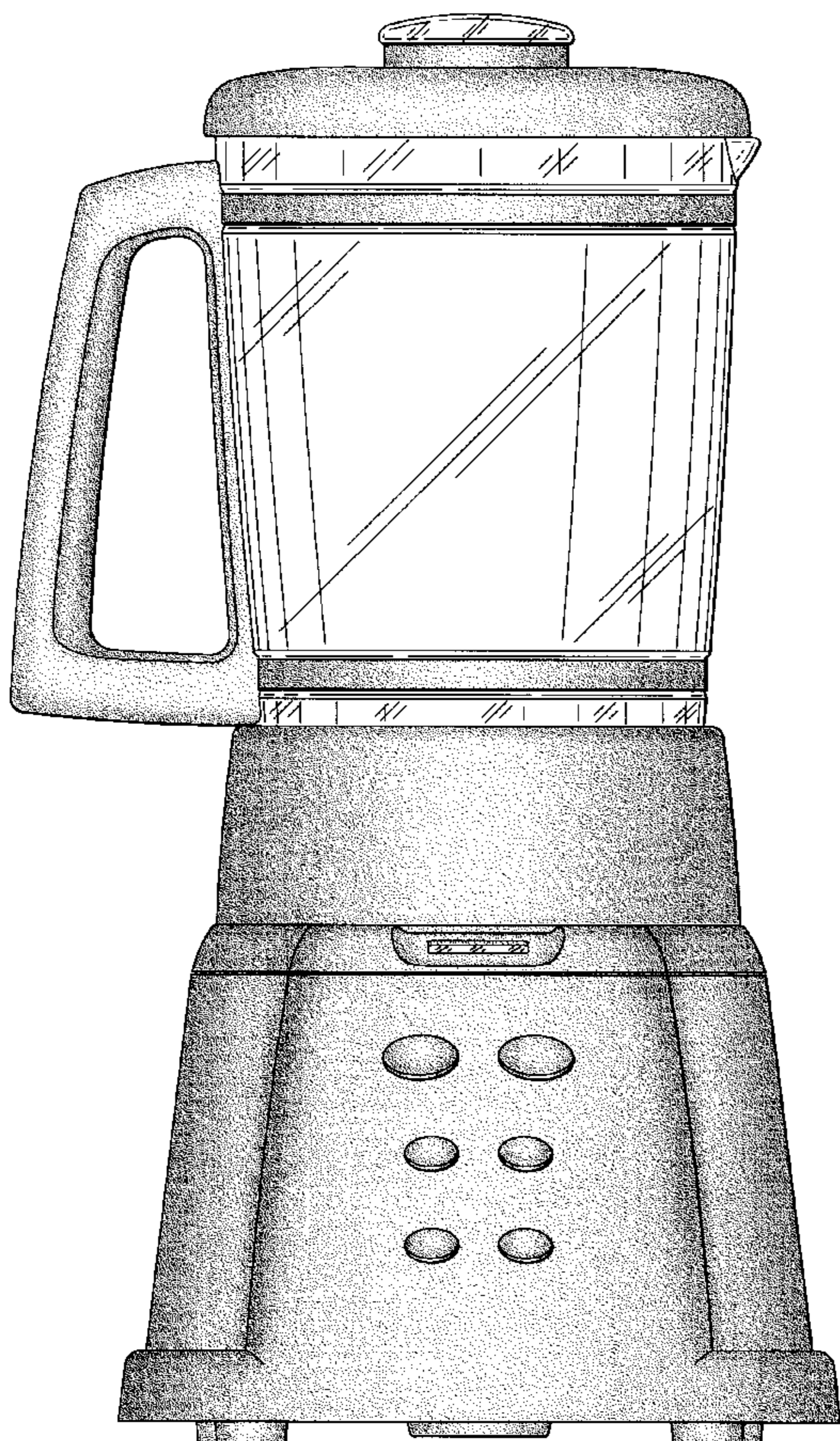
FIG. 2 is a second side view, opposite the first side view, of the blender of FIG. 1;

FIG. 3 is a third side view, rotated ninety degrees from the first side view, of the blender of FIG. 1;

FIG. 4 is a fourth side view, opposite the third side view, of the blender of FIG. 1; and,

FIG. 5 is a top view of the blender of FIG. 1.

1 Claim, 5 Drawing Sheets



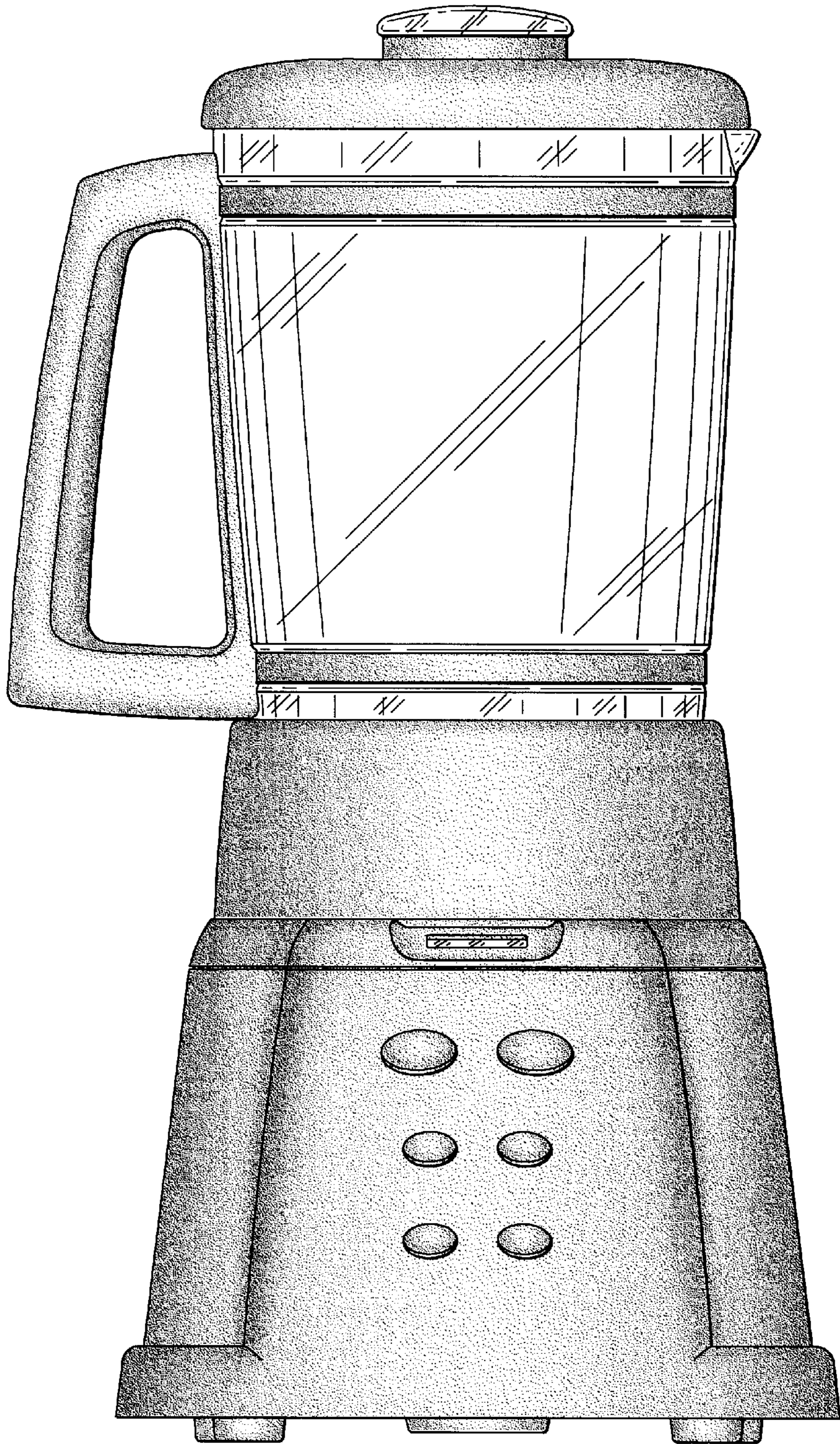


FIG. 1

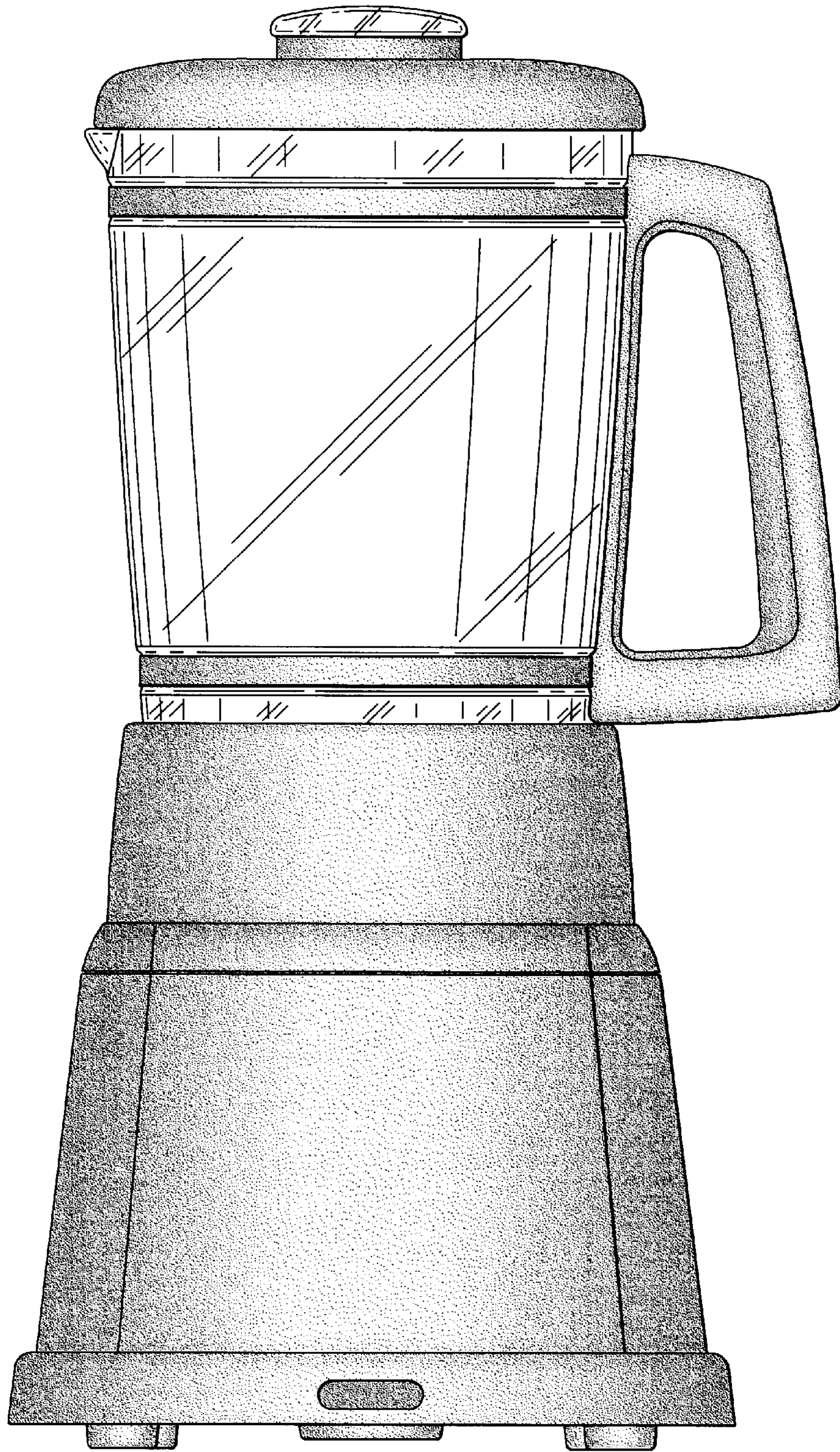


FIG. 2

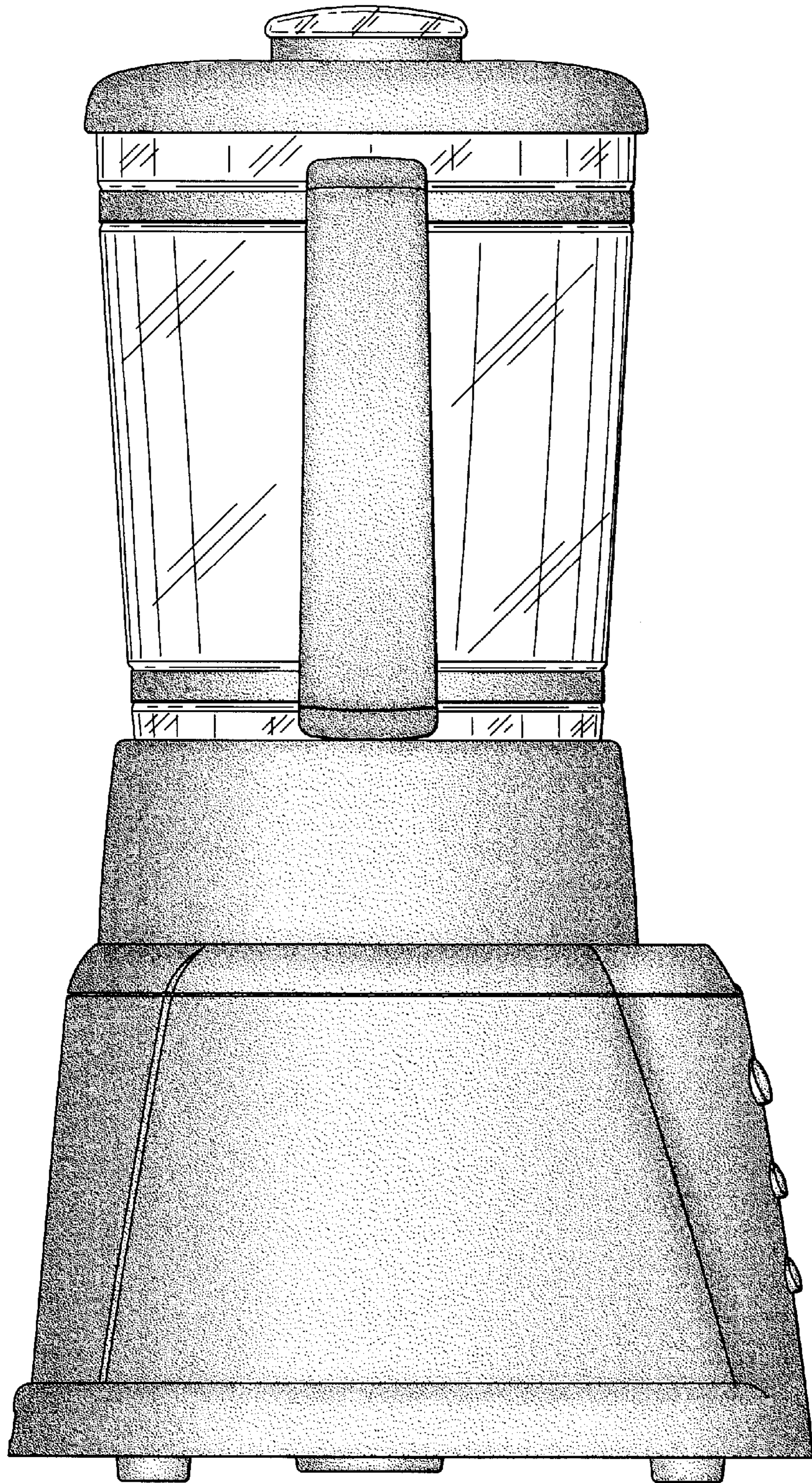


FIG. 3

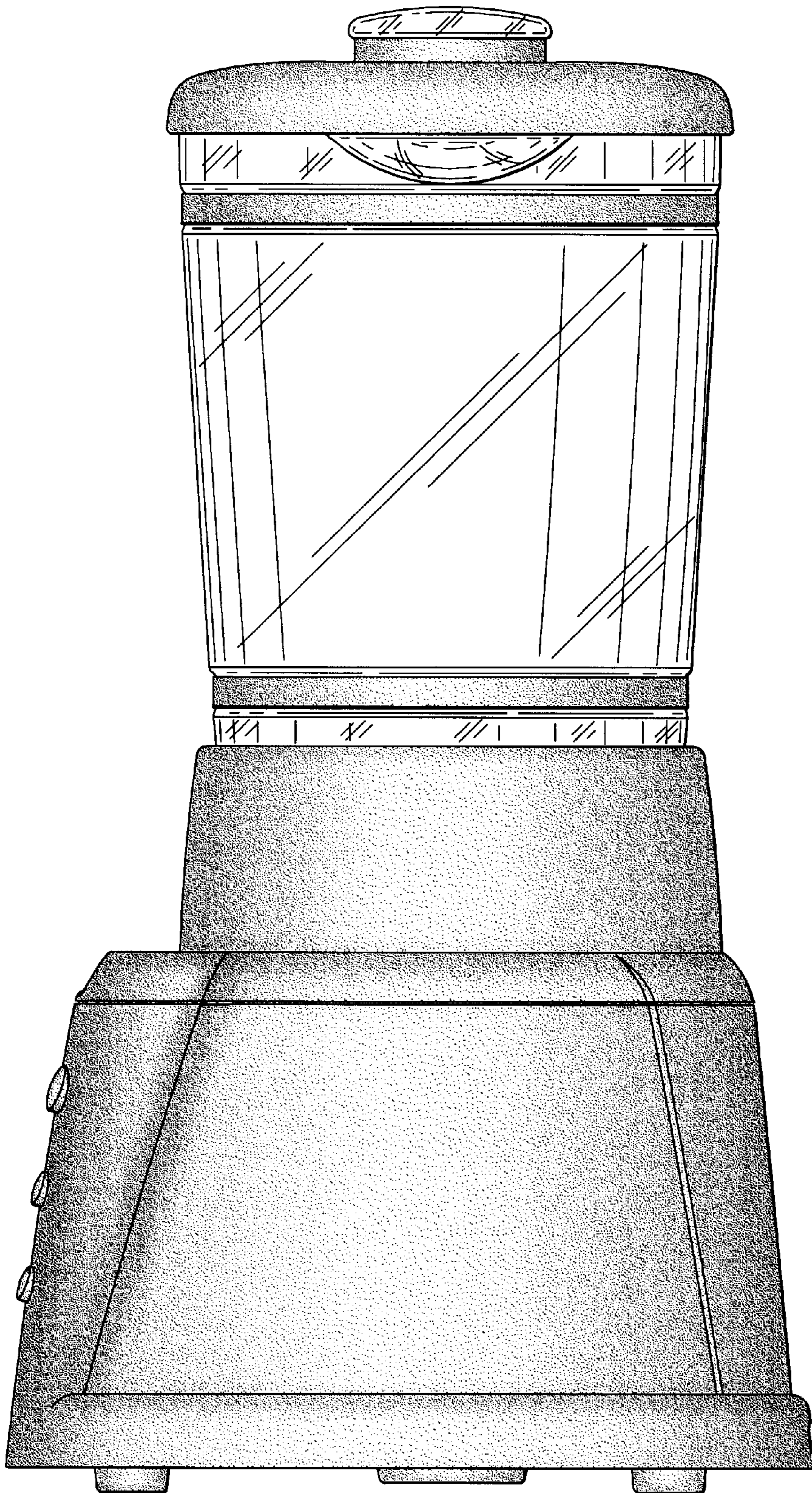


FIG. 4

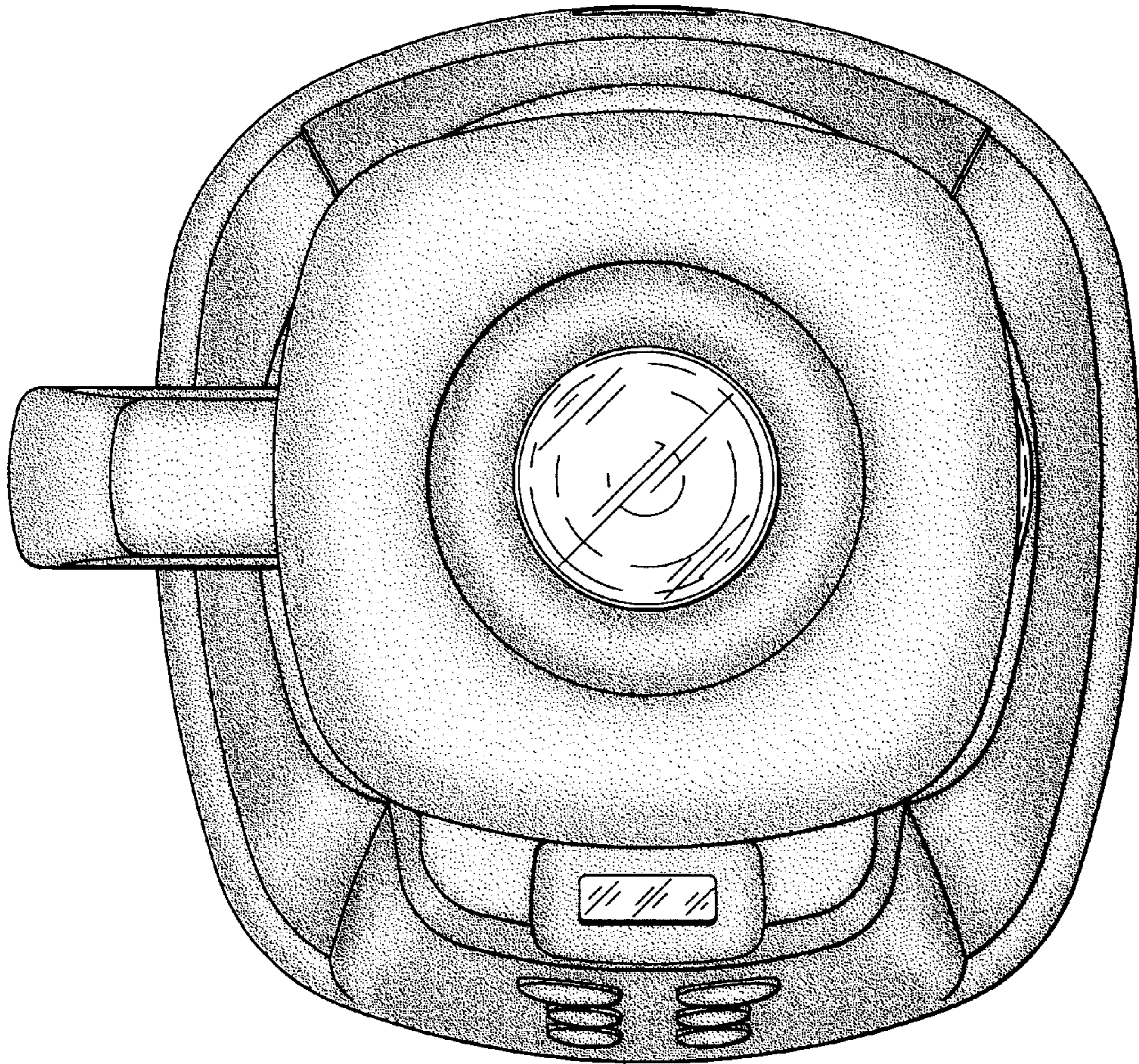


FIG. 5