



US00D466758S

(12) **United States Design Patent**
Bradley

(10) **Patent No.:** **US D466,758 S**

(45) **Date of Patent:** **** Dec. 10, 2002**

(54) **SMALL LOAF PAN**

(75) Inventor: **Kevin Bradley**, Dundee, IL (US)

(73) Assignee: **The Pampered Chef, Ltd.**, Addison, IL (US)

(**) Term: **14 Years**

(21) Appl. No.: **29/150,342**

(22) Filed: **Nov. 21, 2001**

(51) **LOC (7) Cl.** **07-02**

(52) **U.S. Cl.** **D7/357; 220/23.8**

(58) **Field of Search** D7/323, 354-361, D7/546, 553, 553.3, 553.4, 555, 602; D3/310, 313; 220/23.6, 23.8, 23.83, 553, 555, 575

(56) **References Cited**

U.S. PATENT DOCUMENTS

608,930	A	*	8/1898	Tuell	220/23.8
937,424	A	*	10/1909	Costa	220/23.8
2,884,155	A	*	4/1959	Hanson	220/23.4
3,191,796	A	*	6/1965	Schwartz et al.	220/23.6
3,315,718	A	*	4/1967	Berman	220/555 X
3,502,241	A	*	3/1970	Smith	220/23.6
3,982,655	A	*	9/1976	Kaupert	220/23.6
D284,727	S	*	7/1986	Gerber	D7/357
5,419,451	A	*	5/1995	Bitel, Jr.	220/575

D367,172	S	*	2/1996	Brightbill et al.	D3/310
D383,943	S	*	9/1997	Boley	D7/353
D417,785	S	*	12/1999	Daniels	D3/313

* cited by examiner

Primary Examiner—Caron D. Veynar

(74) *Attorney, Agent, or Firm*—Olson & Hierl, Ltd.

(57) **CLAIM**

The ornamental design for a small loaf pan, as shown.

DESCRIPTION

FIG. 1 is a perspective view of the inventive design for a small loaf pan;

FIG. 2 is an elevational view of one side of the FIG. 1 loaf pan;

FIG. 3 is an elevational view of the opposite side of the FIG. 1 loaf pan, the opposite side being a mirror image of the one side;

FIG. 4 is a top plan view of the FIG. 1 loaf pan;

FIG. 5 is a bottom plan view of the FIG. 1 loaf pan;

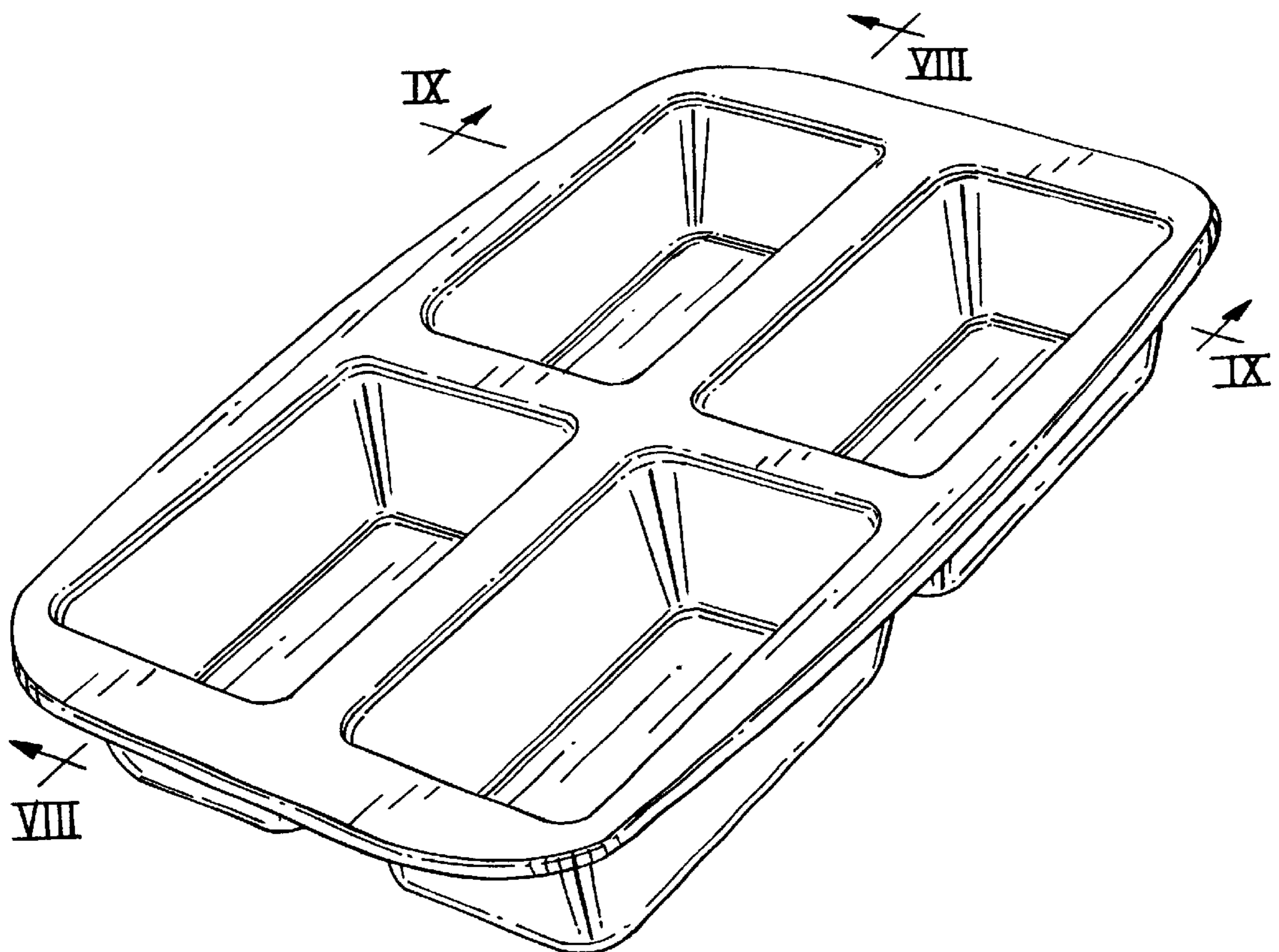
FIG. 6 is a front end elevational view of the FIG. 1 loaf pan;

FIG. 7 is a back end elevational view of the FIG. 1 loaf pan;

FIG. 8 is a longitudinal sectional view taken along the line VIII—VIII of the FIG. 1 loaf pan; and,

FIG. 9 is a transverse sectional view taken along the line IX—IX of the FIG. 1 loaf pan.

1 Claim, 3 Drawing Sheets



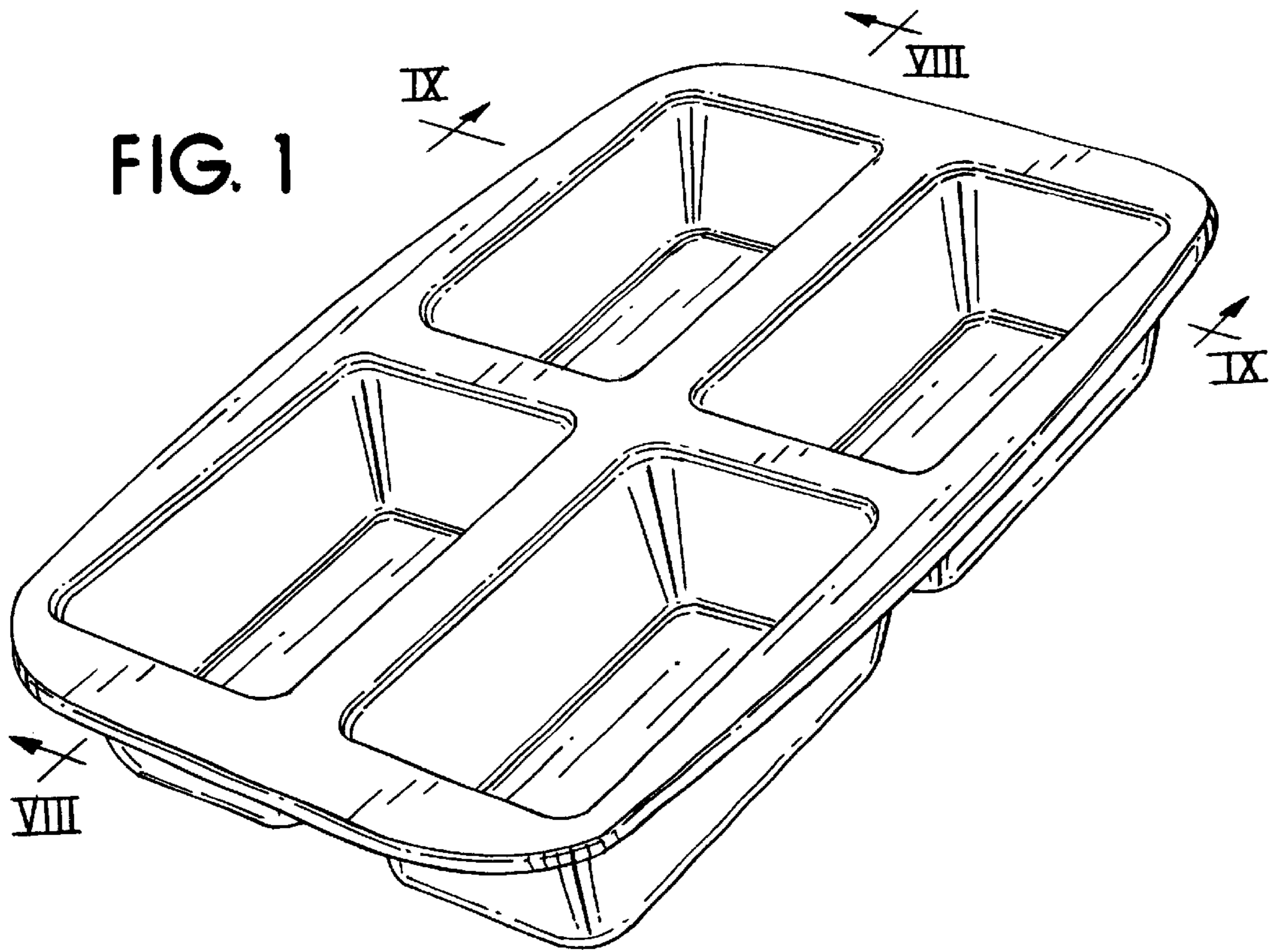


FIG. 2

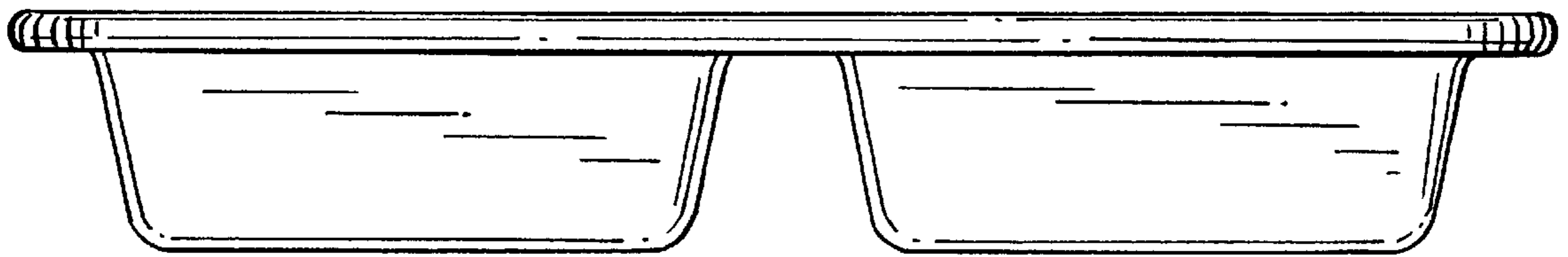


FIG. 3

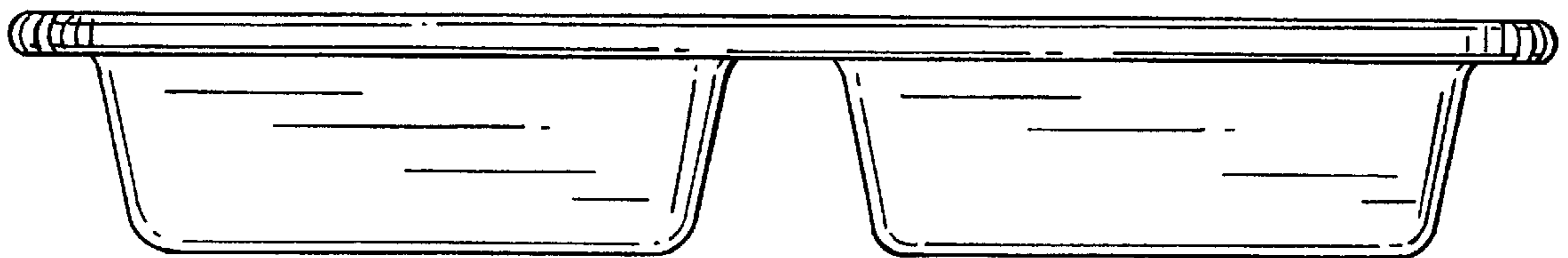


FIG. 4

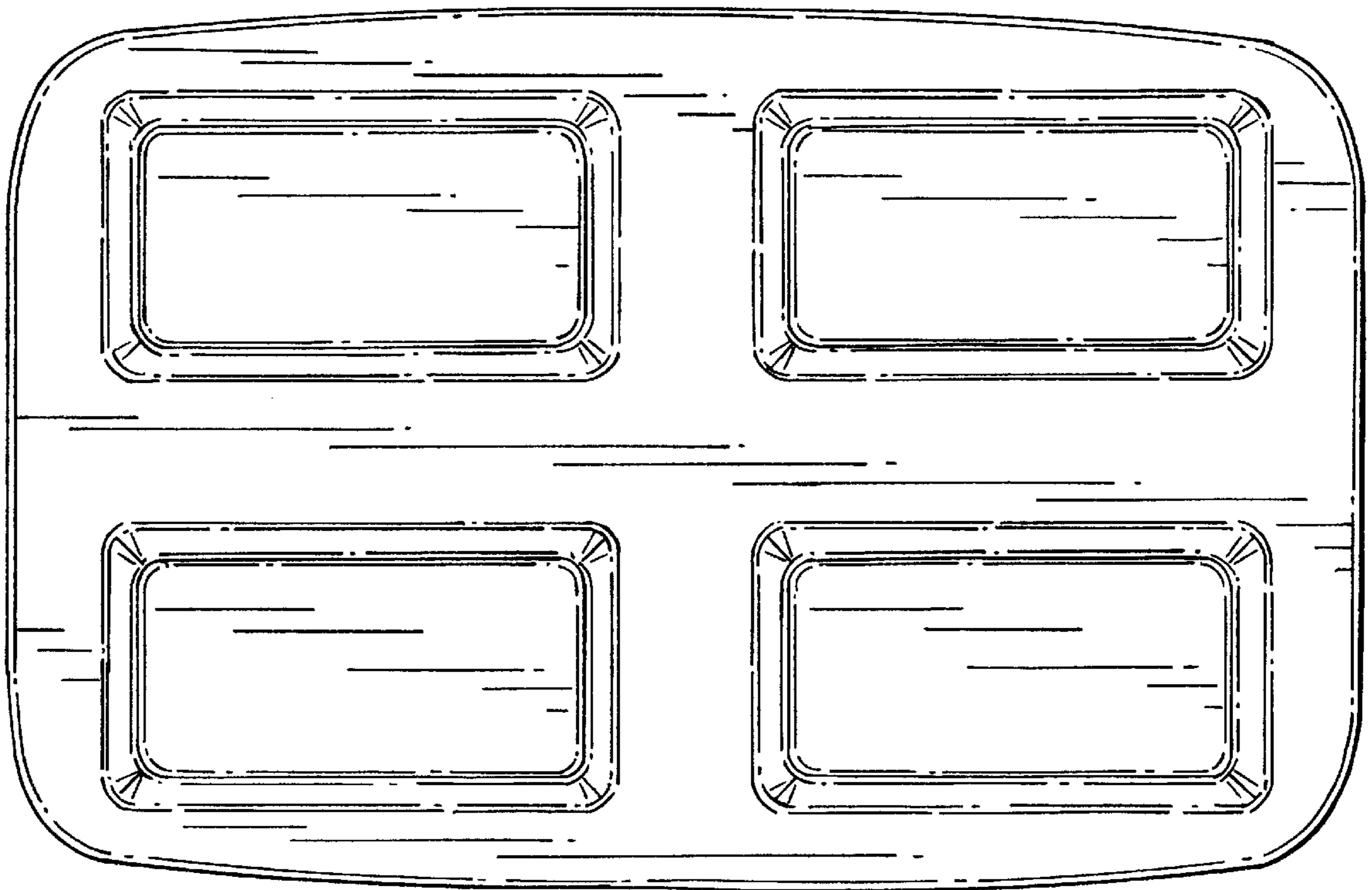


FIG. 5

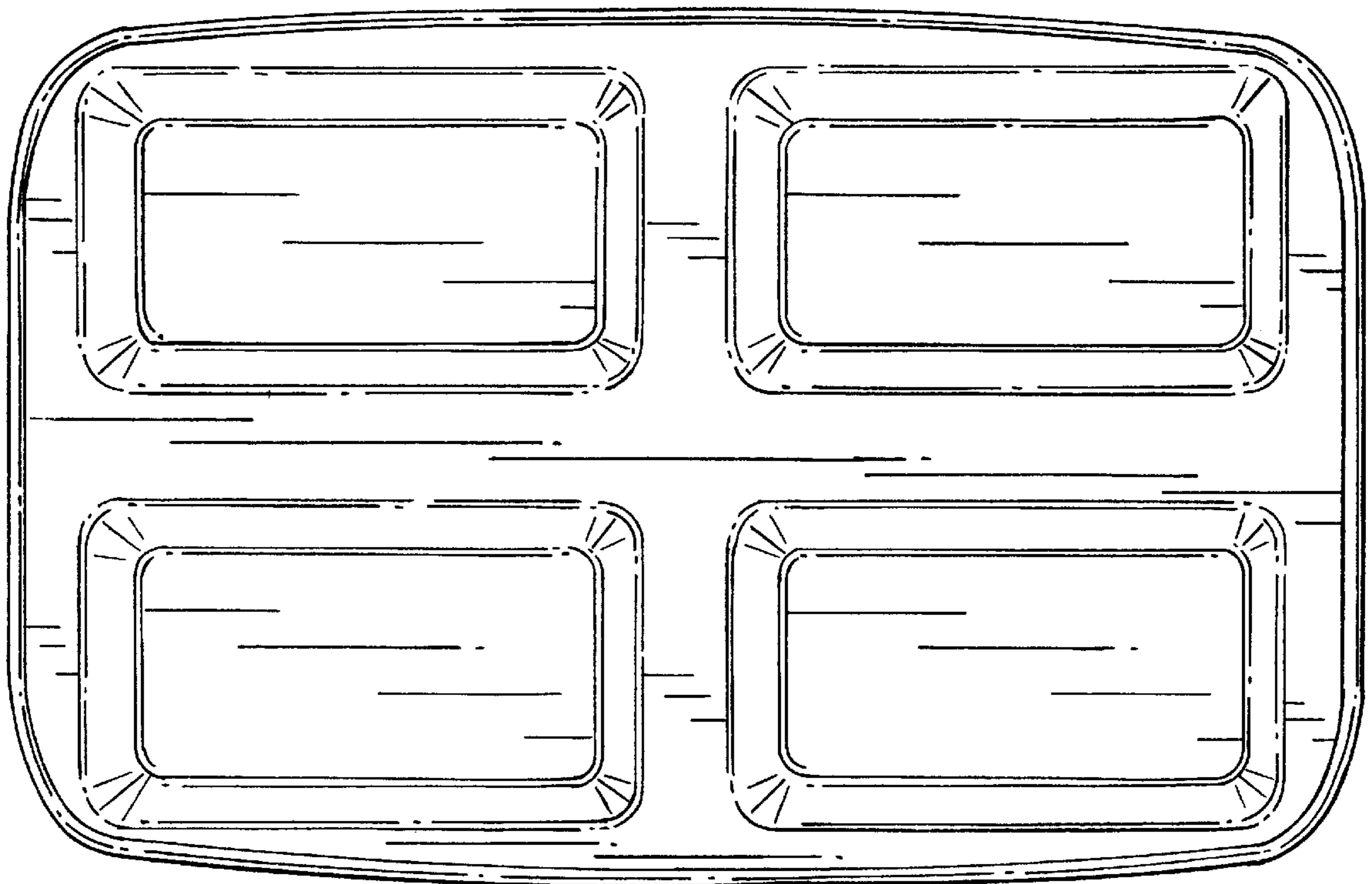


FIG. 6

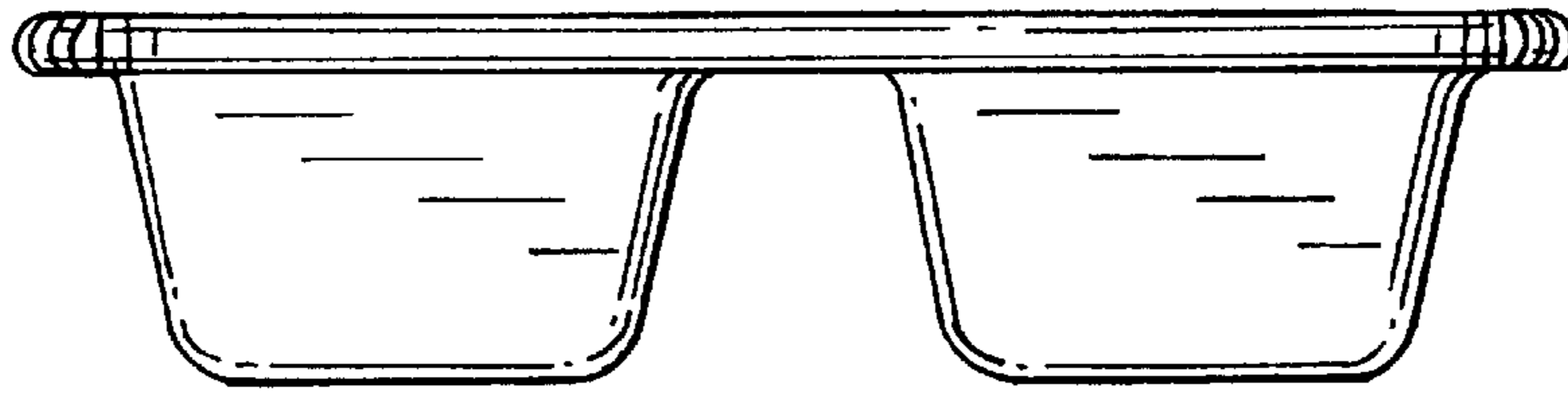


FIG. 7

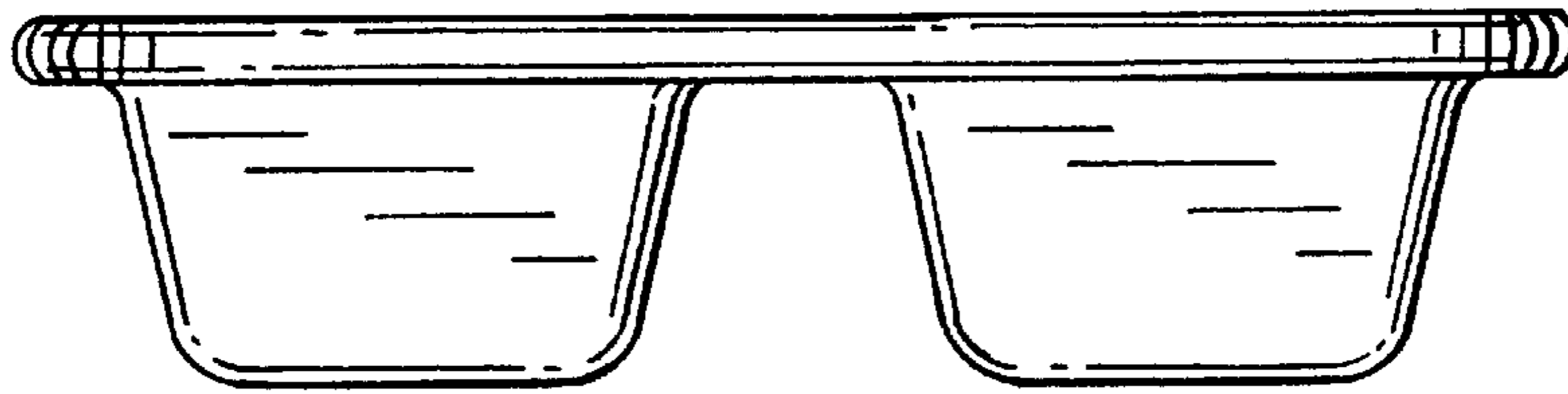


FIG. 8

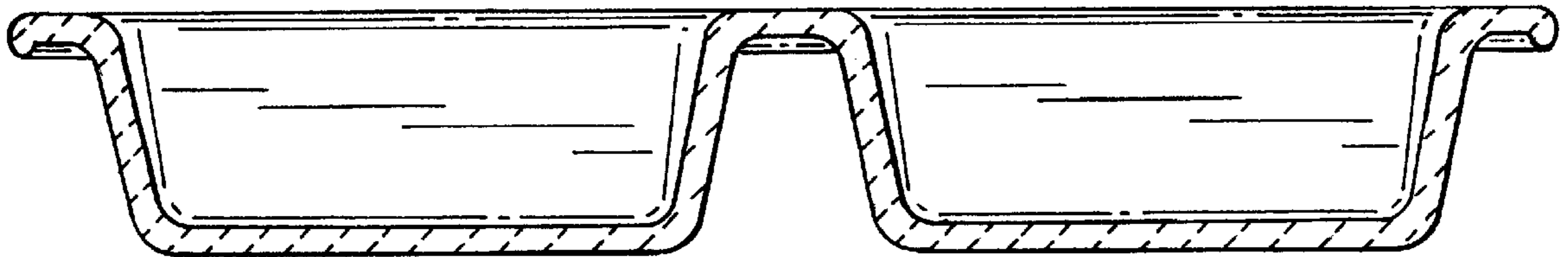


FIG. 9

