



US00D466757S

(12) **United States Design Patent**  
**Hsu**

(10) **Patent No.:** **US D466,757 S**

(45) **Date of Patent:** **\*\* Dec. 10, 2002**

- (54) **OVEN**
- (75) Inventor: **Tony Hsu, Yung Kang (TW)**
- (73) Assignee: **Lundar Electric Industrial Co., Ltd.,  
Tainan Hsien (TW)**
- (\*\*) Term: **14 Years**
- (21) Appl. No.: **29/159,536**
- (22) Filed: **Apr. 24, 2002**
- (51) **LOC (7) Cl.** ..... **07-02**
- (52) **U.S. Cl.** ..... **D7/350.1**
- (58) **Field of Search** ..... D7/350, 350.1,  
D7/350.3, 350.4, 351, 402, 405-406; 219/678,  
756-758; 126/273 A, 275 R, 275 E, 19 M,  
21 R; 99/341, 451

- D420,245 S \* 2/2000 De'Longhi ..... D7/351
- D444,992 S \* 7/2001 Brady et al. .... D7/350
- D446,418 S \* 8/2001 Cruz ..... D7/350.4
- D447,905 S \* 9/2001 Smith-Berry et al. .... D7/350
- D451,752 S \* 12/2001 Davis et al. .... D7/350.4
- D453,090 S \* 1/2002 Chen ..... D7/350.4

\* cited by examiner

*Primary Examiner*—Ruth McInroy

(74) *Attorney, Agent, or Firm*—Rosenberg, Klein & Lee

(57) **CLAIM**

The ornamental design for an oven, as shown and described.

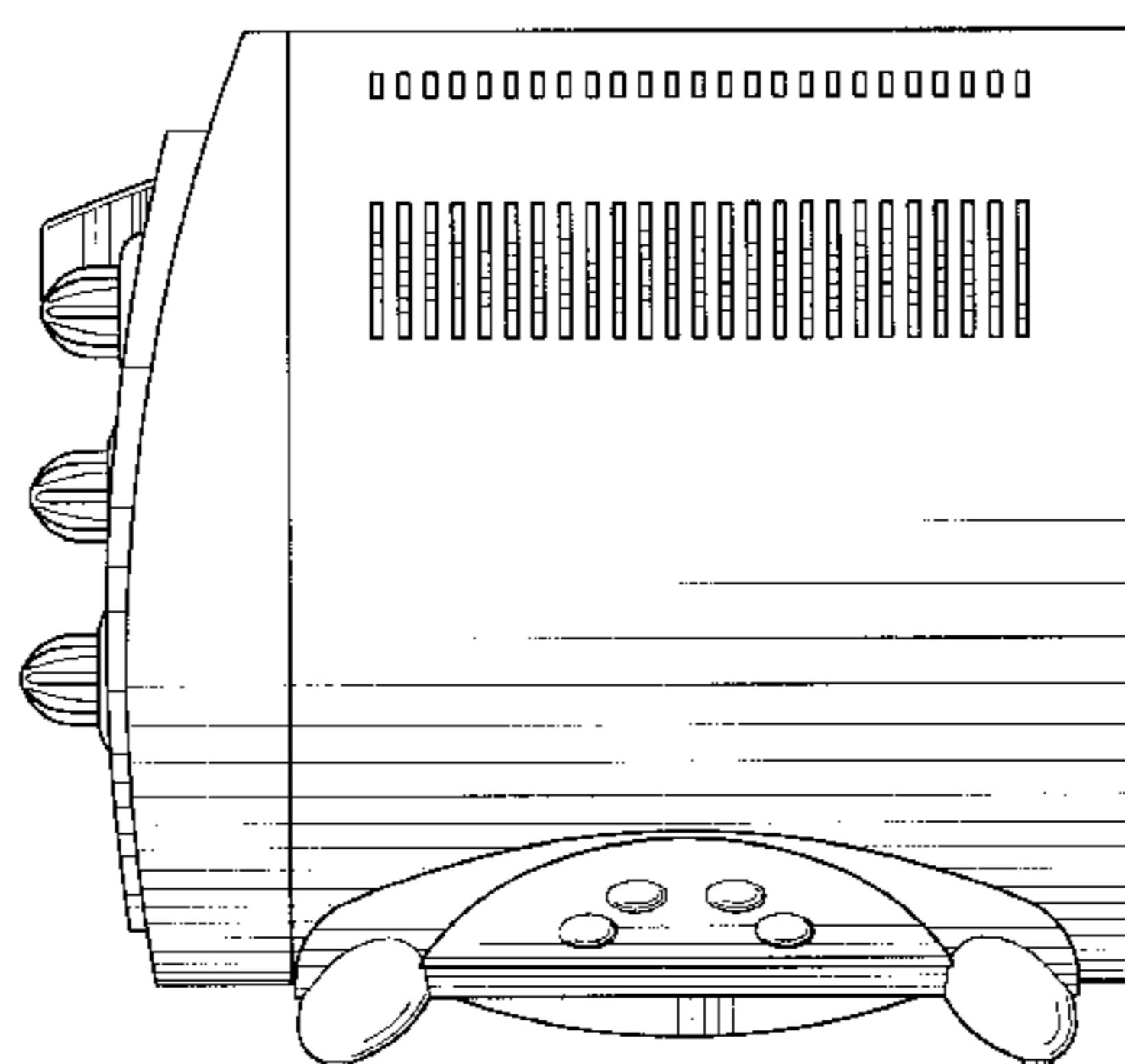
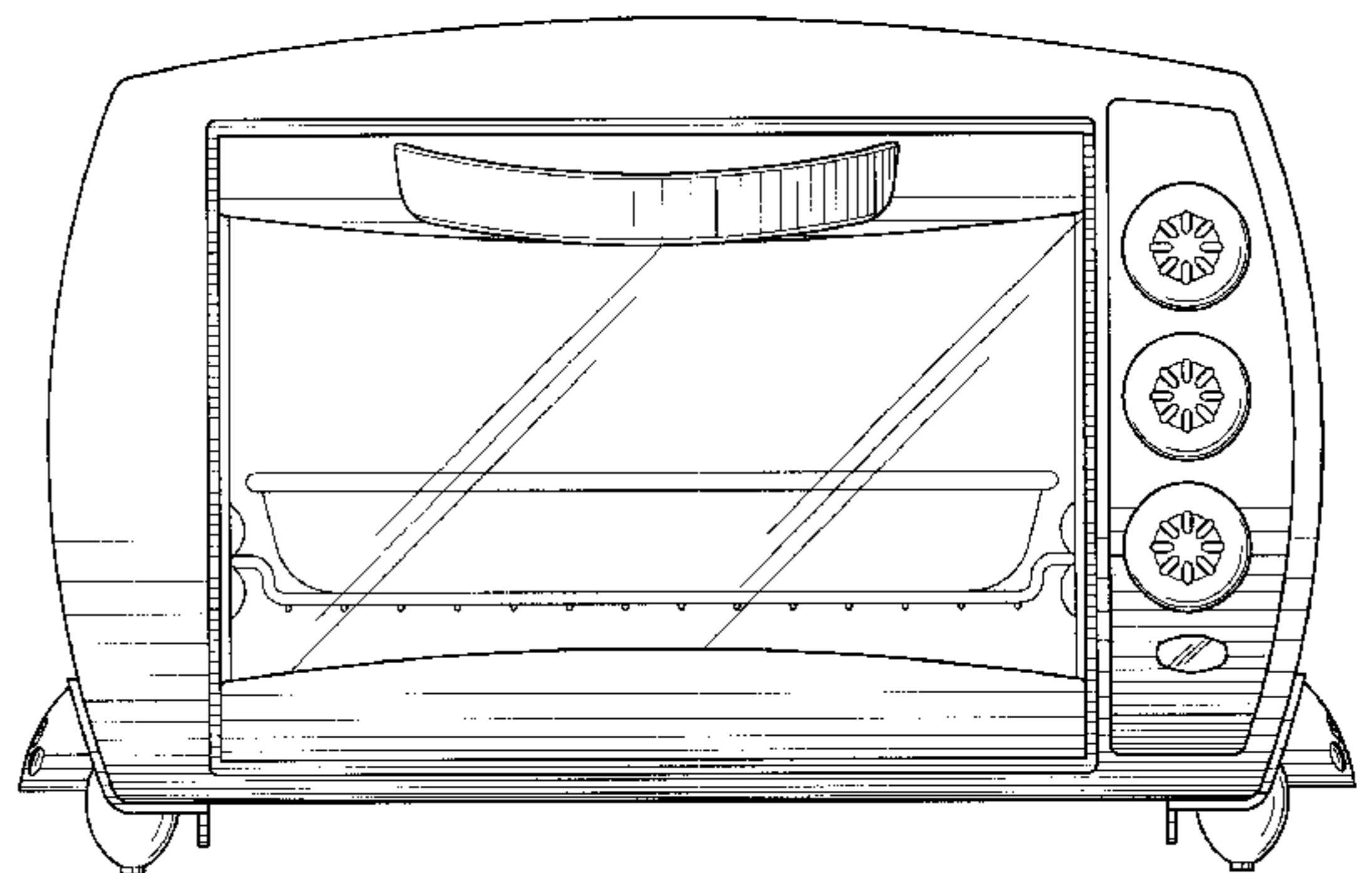
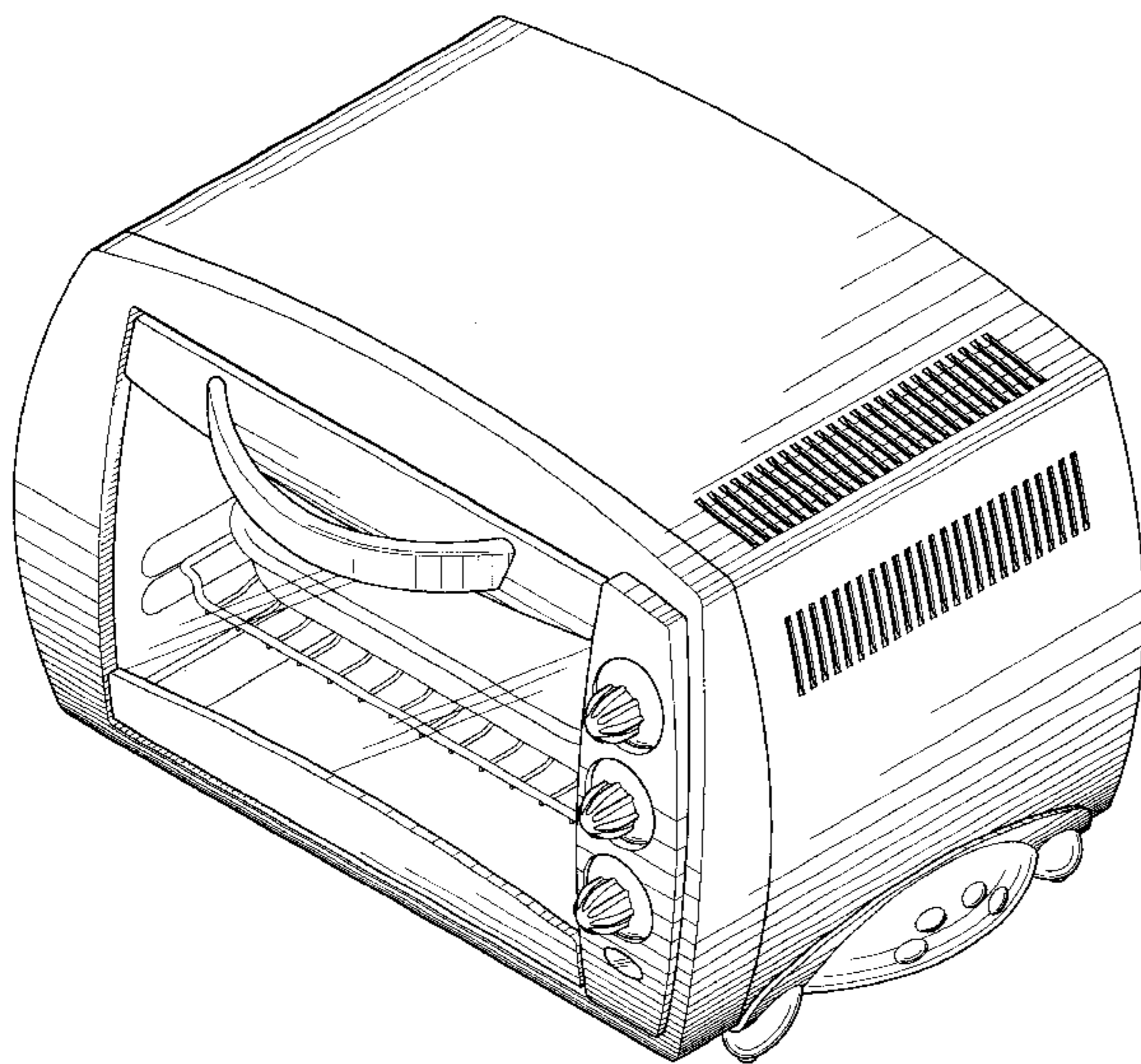
**DESCRIPTION**

- FIG. 1 is a perspective view of an oven showing my new design;
- FIG. 2 is a front view thereof;
- FIG. 3 is a rear view thereof;
- FIG. 4 is a left view thereof;
- FIG. 5 is a right view thereof;
- FIG. 6 is a top plan view thereof; and,
- FIG. 7 is a bottom plan view.

(56) **References Cited**  
**U.S. PATENT DOCUMENTS**

- D380,643 S \* 7/1997 Piret ..... D7/350
- D381,861 S \* 8/1997 Rorke et al. .... D7/350
- D412,637 S \* 8/1999 Piret ..... D7/350
- D415,926 S \* 11/1999 De'Longhi ..... D7/350

**1 Claim, 7 Drawing Sheets**



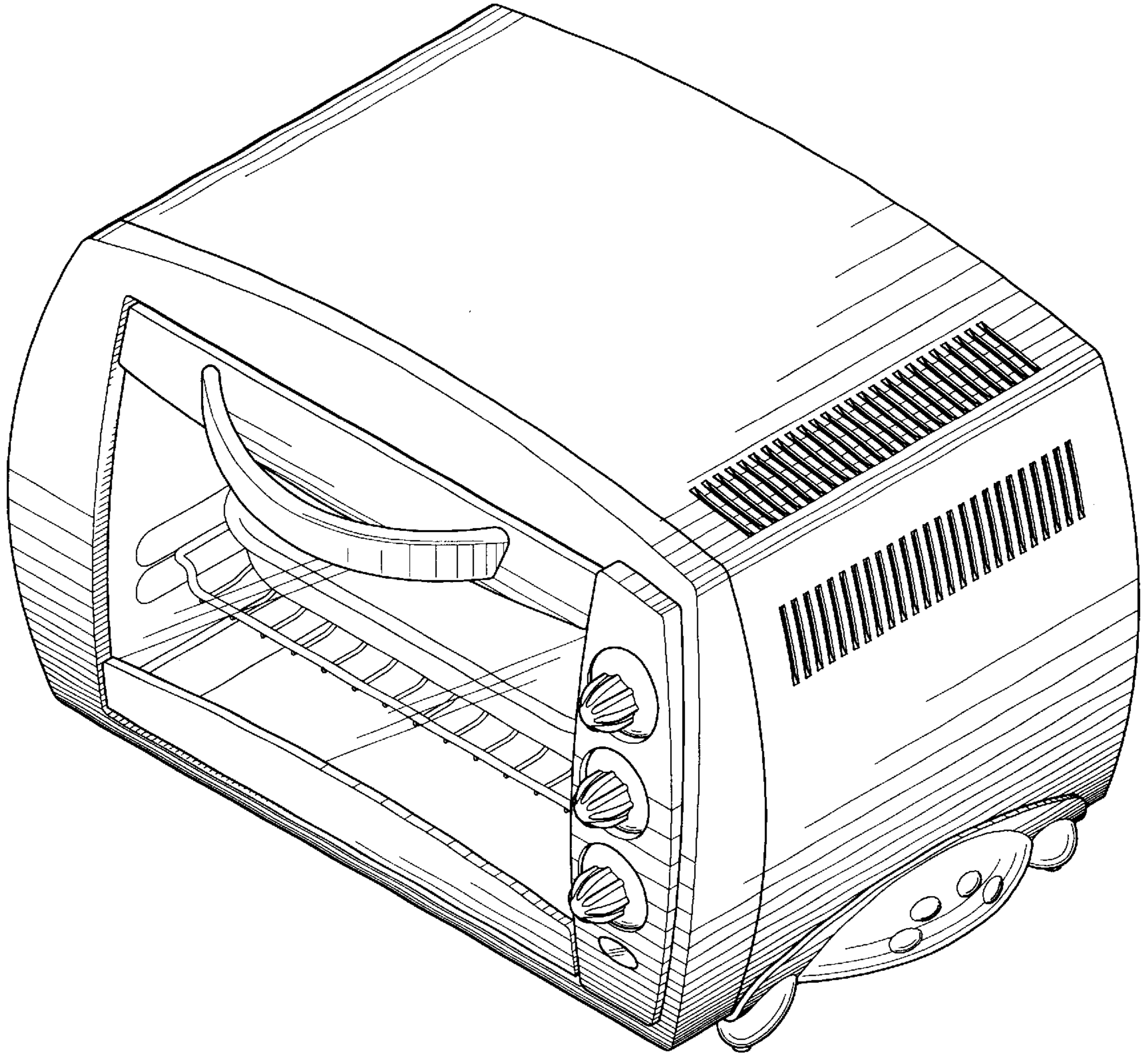


FIG . 1

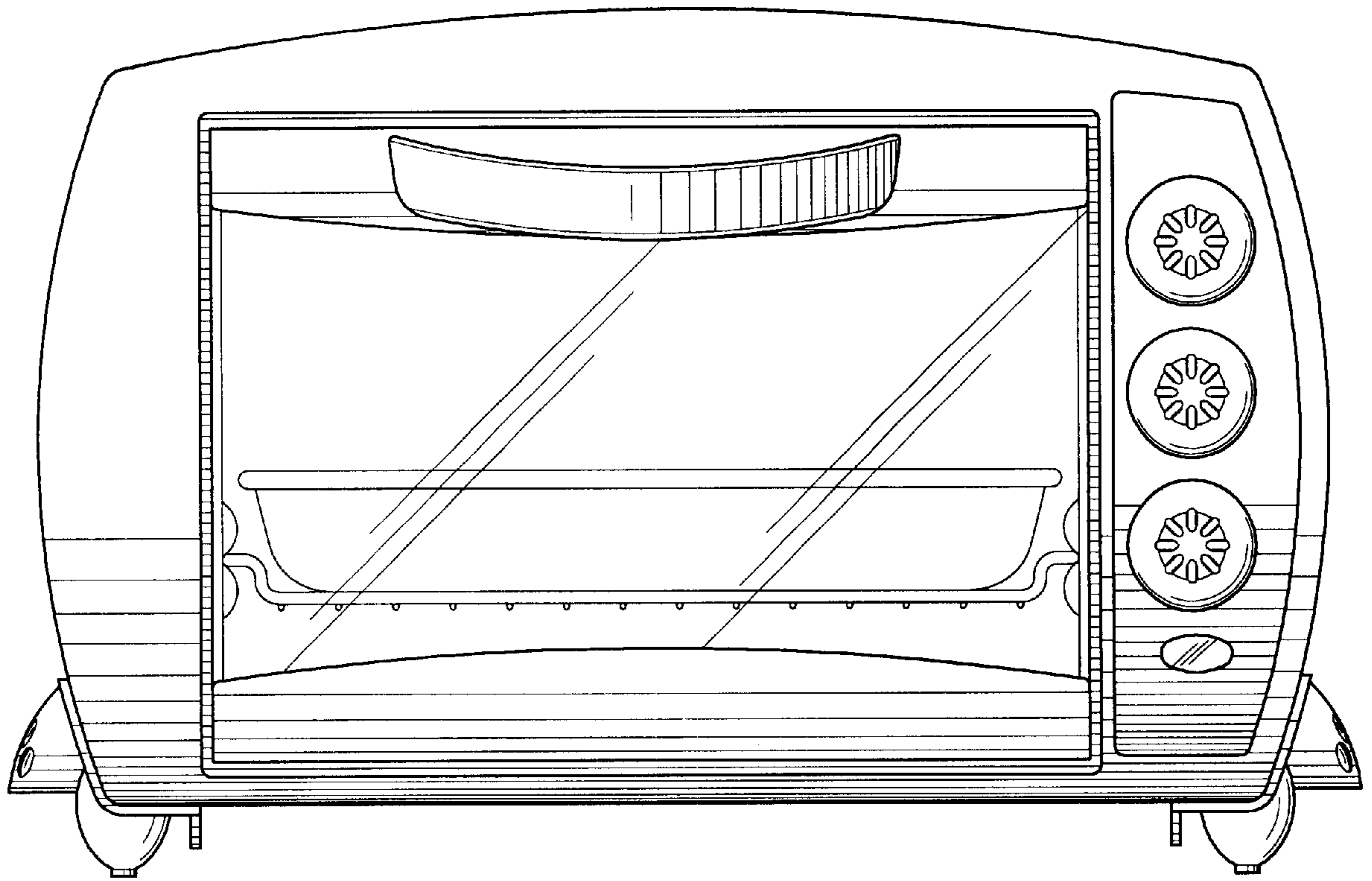


FIG. 2

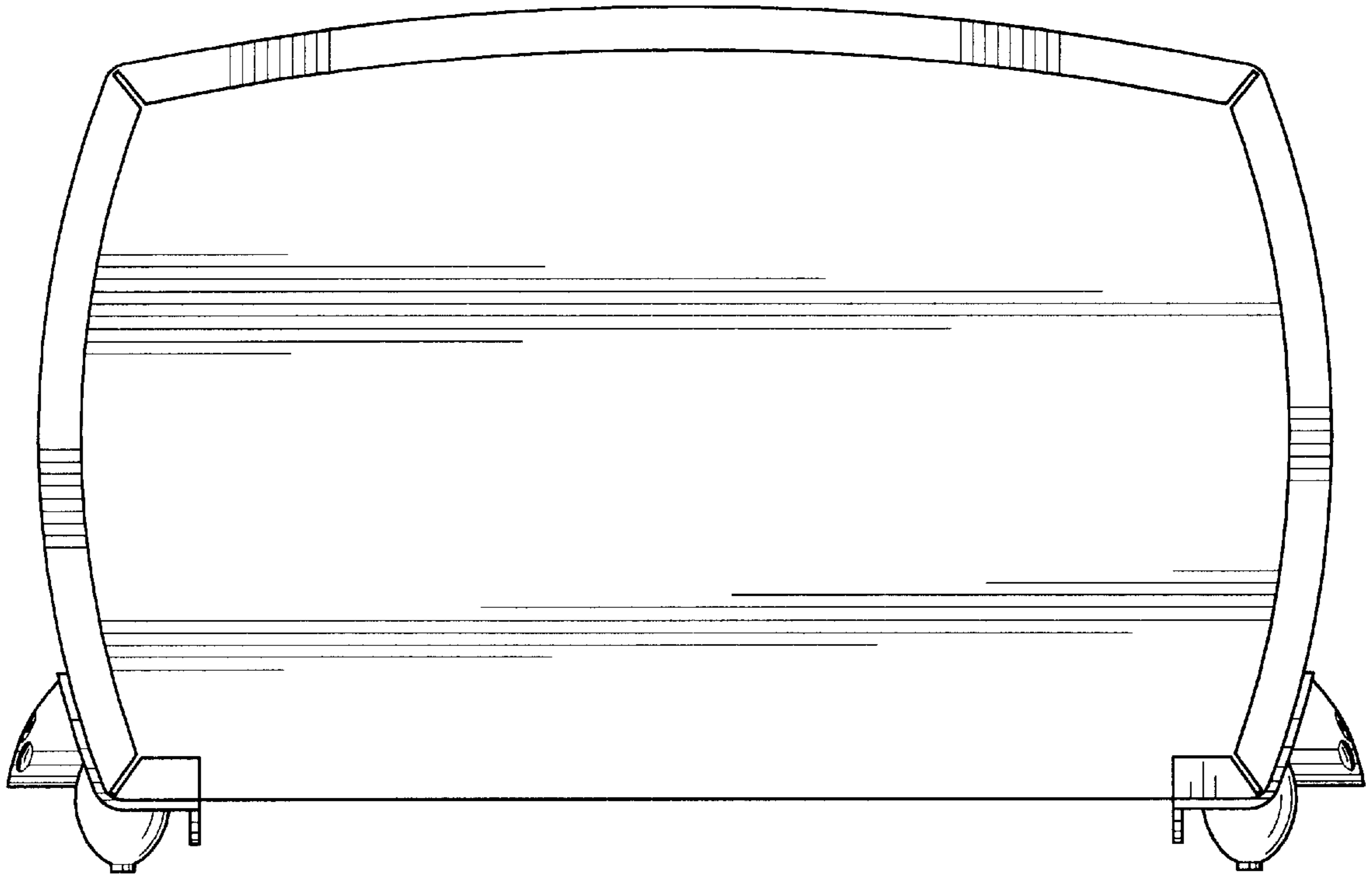


FIG. 3



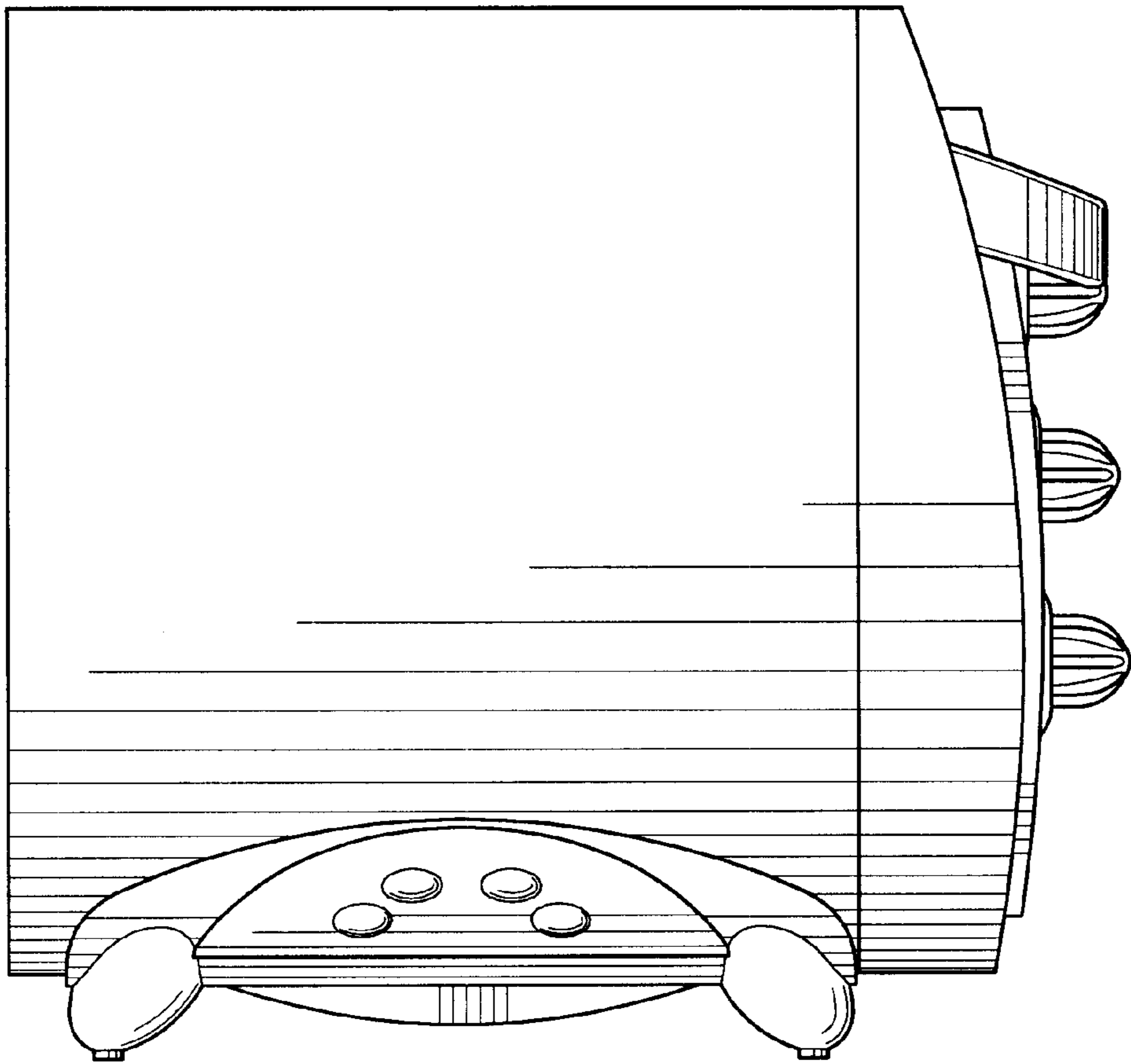


FIG. 4

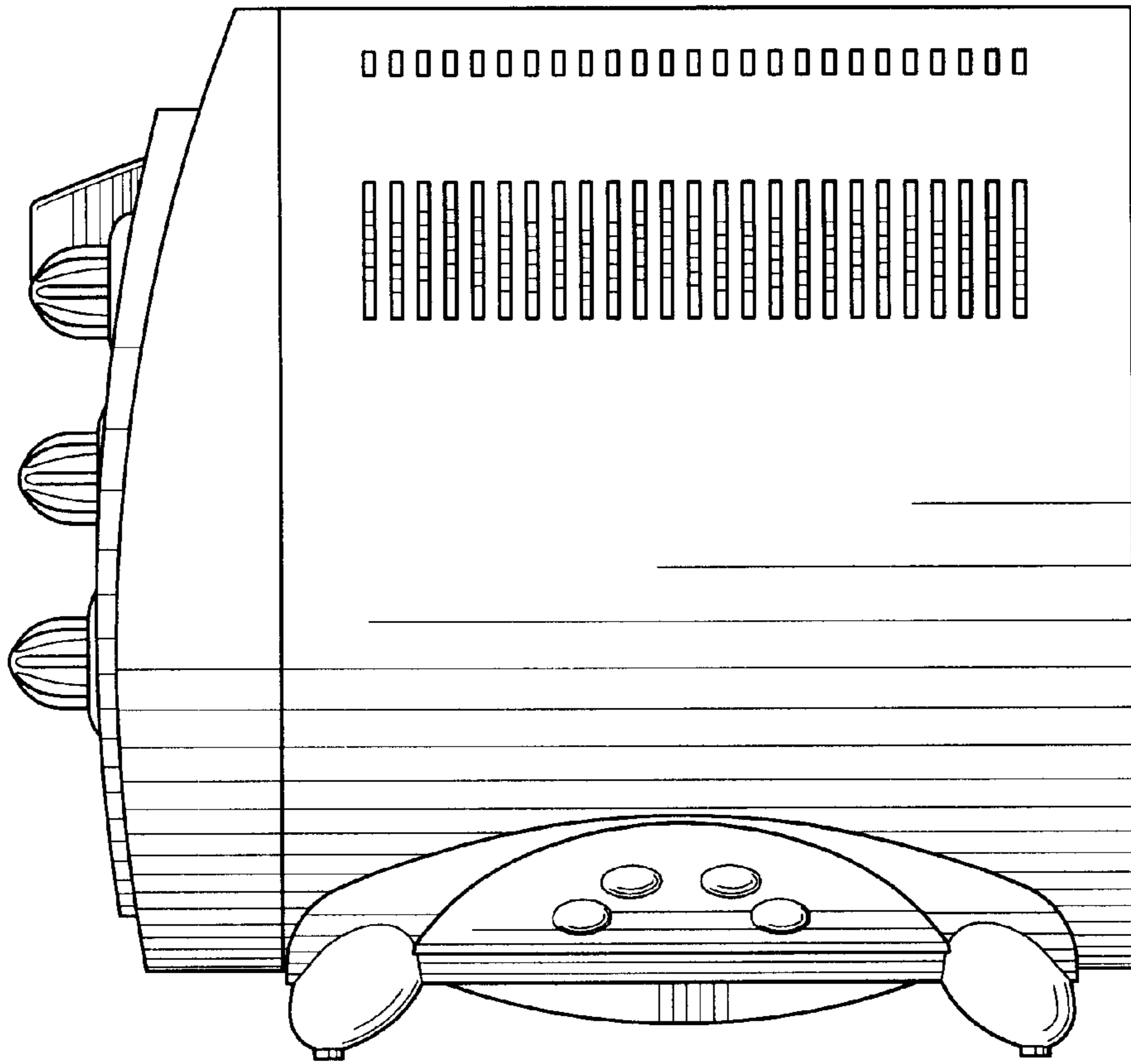


FIG. 5

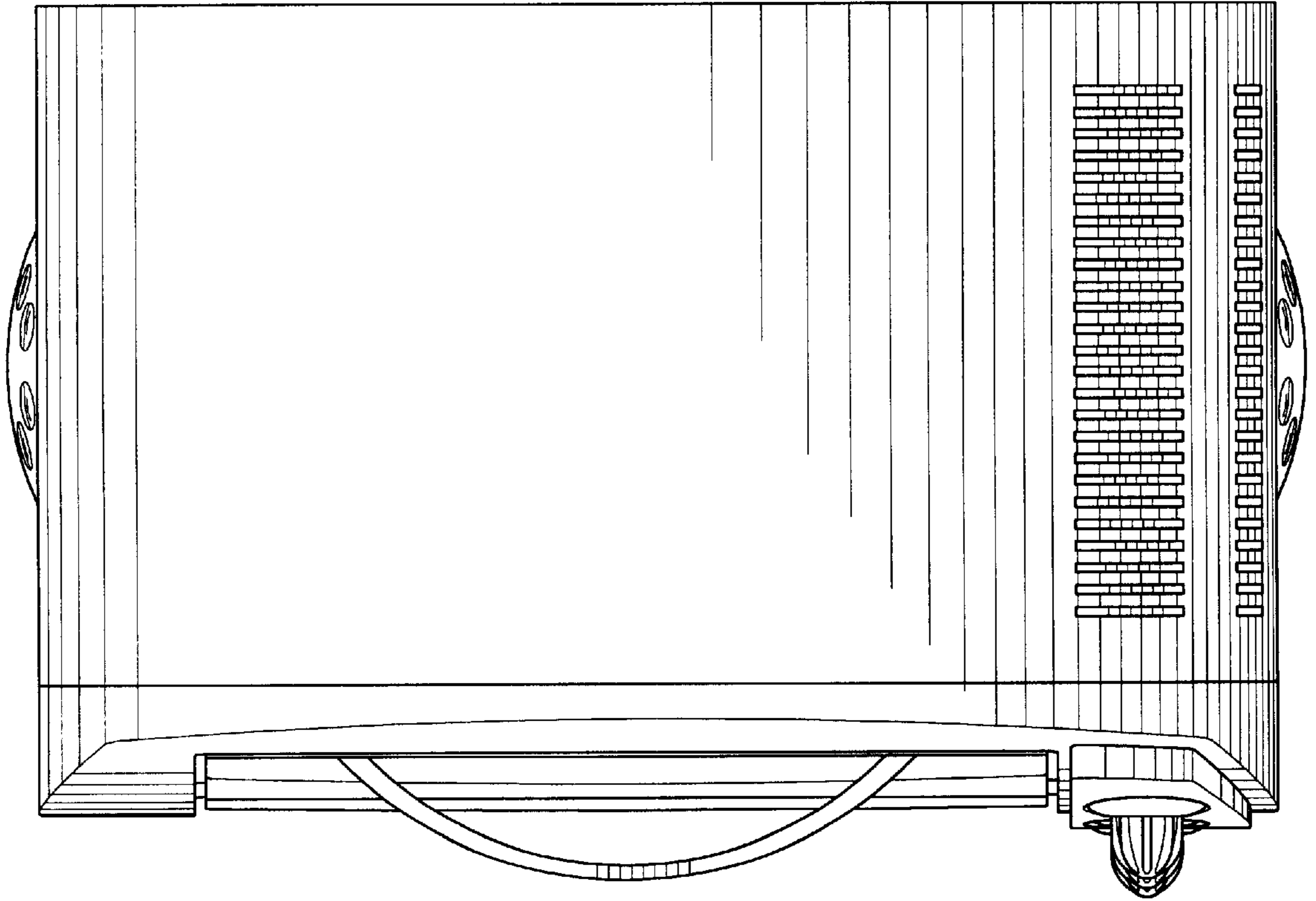


FIG. 6

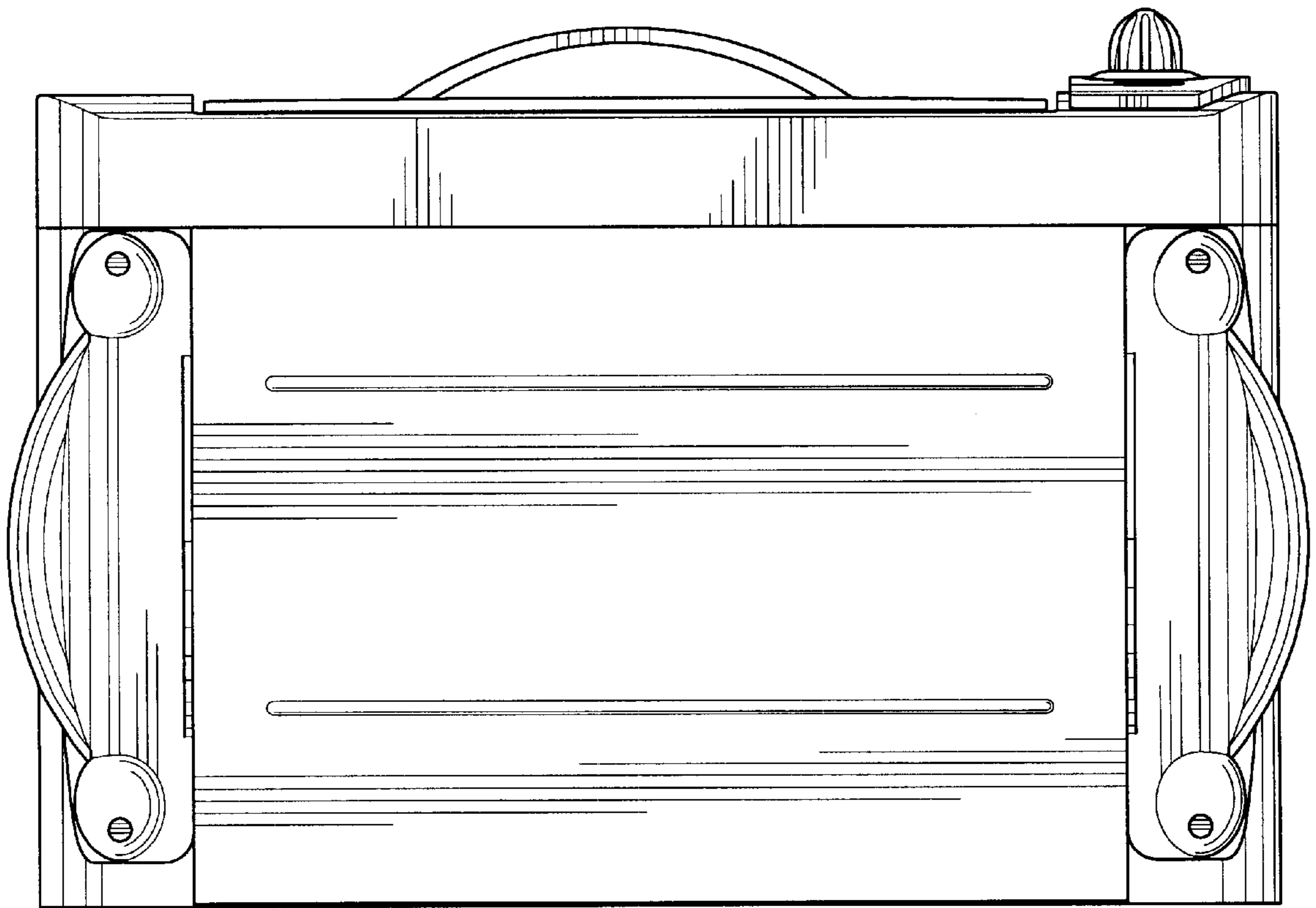


FIG . 7