



US00D466755S

(12) **United States Design Patent**  
**Henry**

(10) **Patent No.:** **US D466,755 S**

(45) **Date of Patent:** **\*\* Dec. 10, 2002**

(54) **COMBINED HEATER CUP AND HOLDER**

(74) *Attorney, Agent, or Firm*—Dilworth & Barrese, LLP

(76) **Inventor:** **Laura L. Henry**, 8186 Kensington #758, Davison, MI (US) 48423

(57) **CLAIM**

The ornamental design for a combined heater cup and holder, as shown and described.

(\*\*) **Term:** **14 Years**

**DESCRIPTION**

(21) **Appl. No.:** **29/134,141**

FIG. 1 is an exploded perspective view of the combined heater cup and holder showing my new design;

(22) **Filed:** **Dec. 14, 2000**

FIG. 2 is a perspective view thereof;

(51) **LOC (7) Cl.** ..... **07-02**

FIG. 3 is a side elevational view thereof;

(52) **U.S. Cl.** ..... **D7/323; D7/355; D7/512**

FIG. 4 is a top plan view thereof;

(58) **Field of Search** ..... **D7/323, 605, 511, D7/507, 512, 523, 608, 354, 355, 356; 219/432, 433, 521; 99/323.3; 206/218; 220/8, 592.23; D9/301**

FIG. 5 is a bottom plan view thereof;

FIG. 6 is a perspective view thereof, in the compressed position;

(56) **References Cited**

**U.S. PATENT DOCUMENTS**

D243,498 S	3/1977	Pianezza	
D244,738 S	6/1977	Juhlin	
D253,214 S	10/1979	Wilson	
4,523,083 A	6/1985	Hamilton	
D307,850 S *	5/1990	Aoki et al.	D9/301
D336,825 S	6/1993	Ivey	
5,283,420 A *	2/1994	Montalto	219/432
D349,429 S	8/1994	Morehead	
D366,186 S	1/1996	Kato	
D371,049 S	6/1996	Cuthbertson et al.	
6,072,161 A *	6/2000	Stein	219/432
D429,630 S *	8/2000	Knight et al.	D9/301
6,310,329 B1 *	10/2001	Carter	219/433
6,314,867 B1 *	11/2001	Russell	99/323.3

FIG. 7 is a side elevational view of FIG. 6;

FIG. 8 is a top plan view of FIG. 6;

FIG. 9 is a bottom plan view of FIG. 6;

FIG. 10 is a perspective view of the heater cup in the expanded position, with the holder removed for clarity of illustration;

FIG. 11 is a top plan view of FIG. 10;

FIG. 12 is a bottom plan view of FIG. 10;

FIG. 13 is a side elevational view of FIG. 10;

FIG. 14 is a perspective view of FIG. 10, in the compressed position;

FIG. 15 is a side elevational view of FIG. 14;

FIG. 16 is a perspective view of the holder, with the cup removed for clarity of illustration;

FIG. 17 is a side elevational view of FIG. 16;

FIG. 18 is a top plan view of FIG. 16; and,

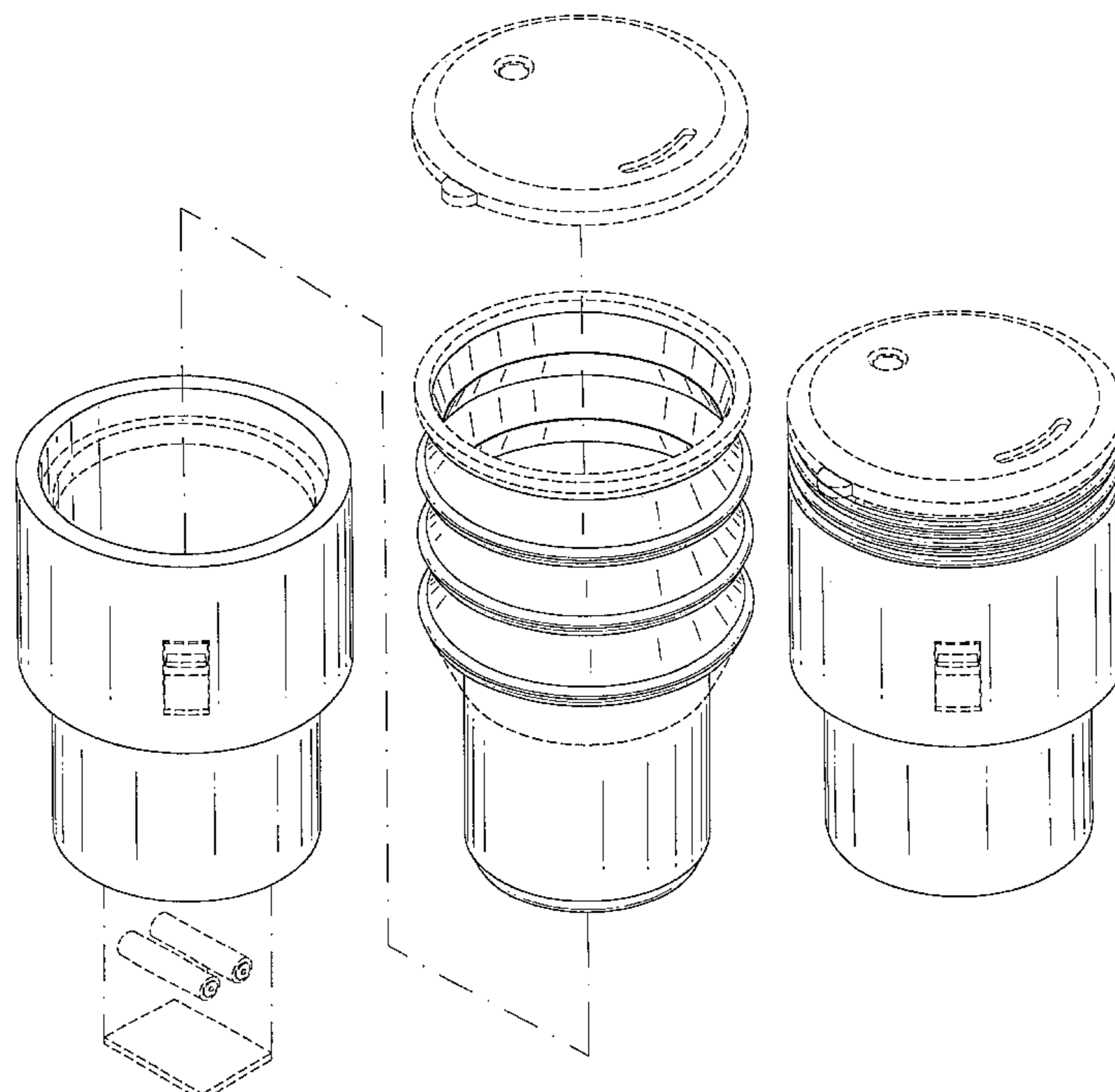
FIG. 19 is a bottom plan view of FIG. 16.

Any broken line illustration of environment structure in the drawing is not part of the design sought to be patented.

\* cited by examiner

*Primary Examiner*—B. J. Bullock

**1 Claim, 8 Drawing Sheets**



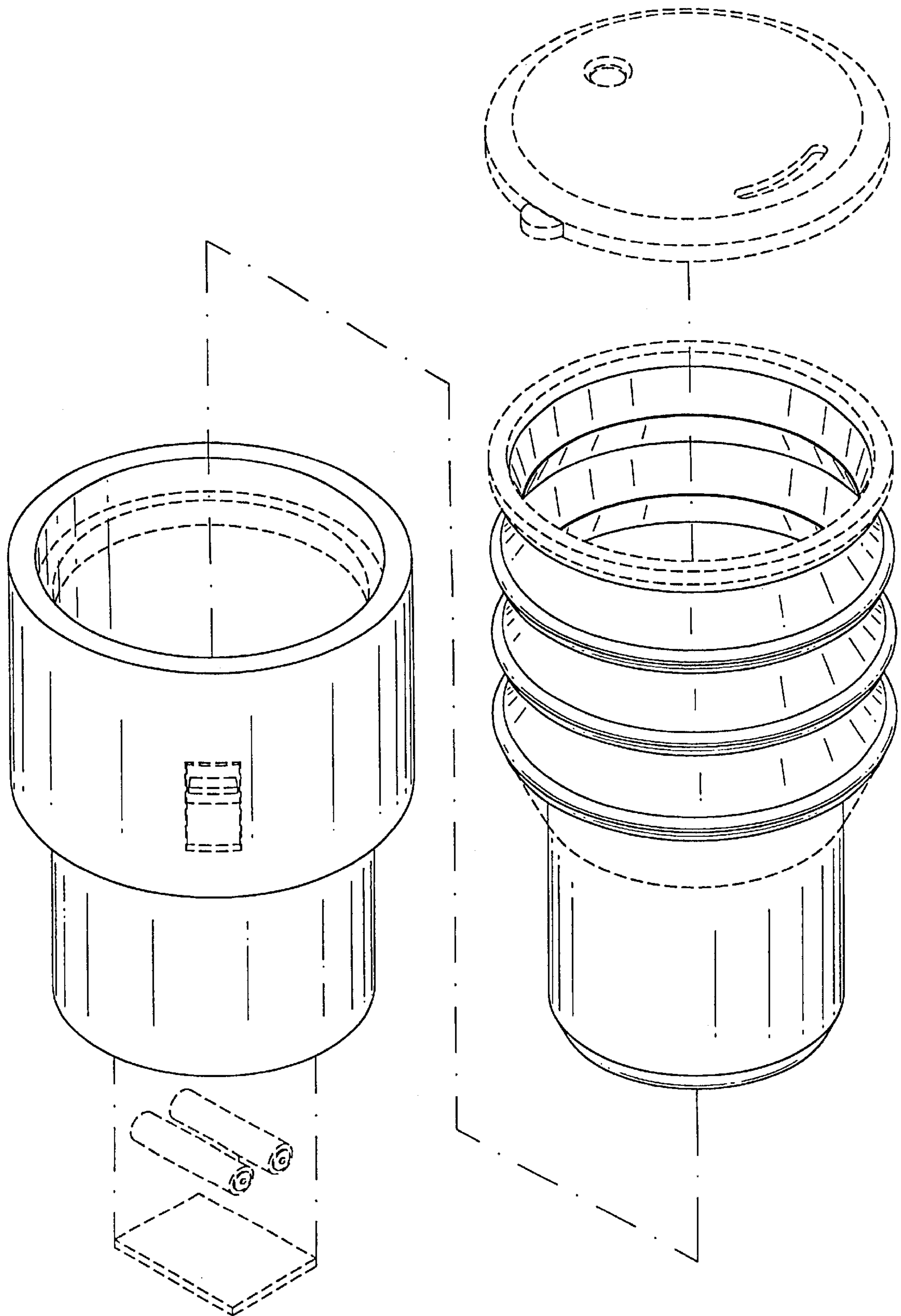


FIG. 1

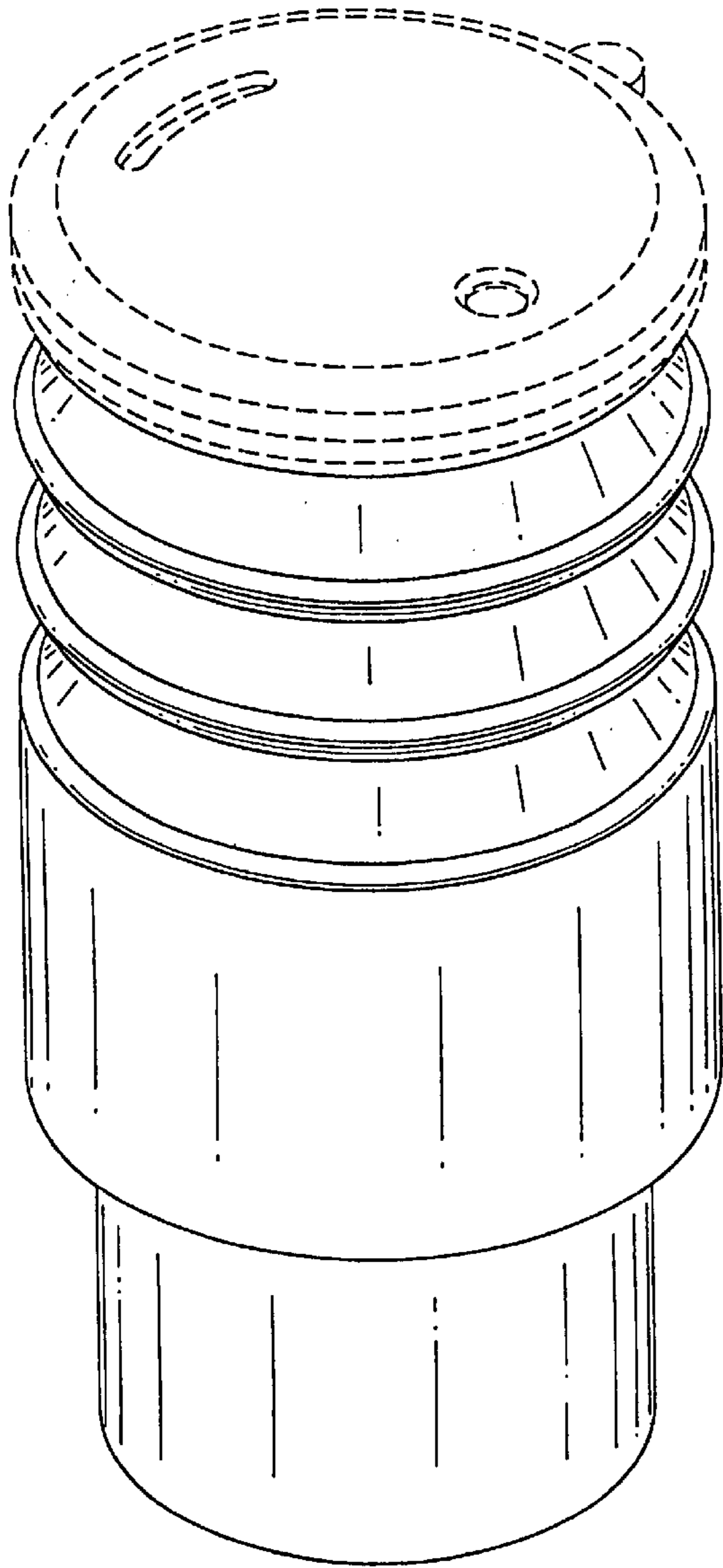


FIG. 2

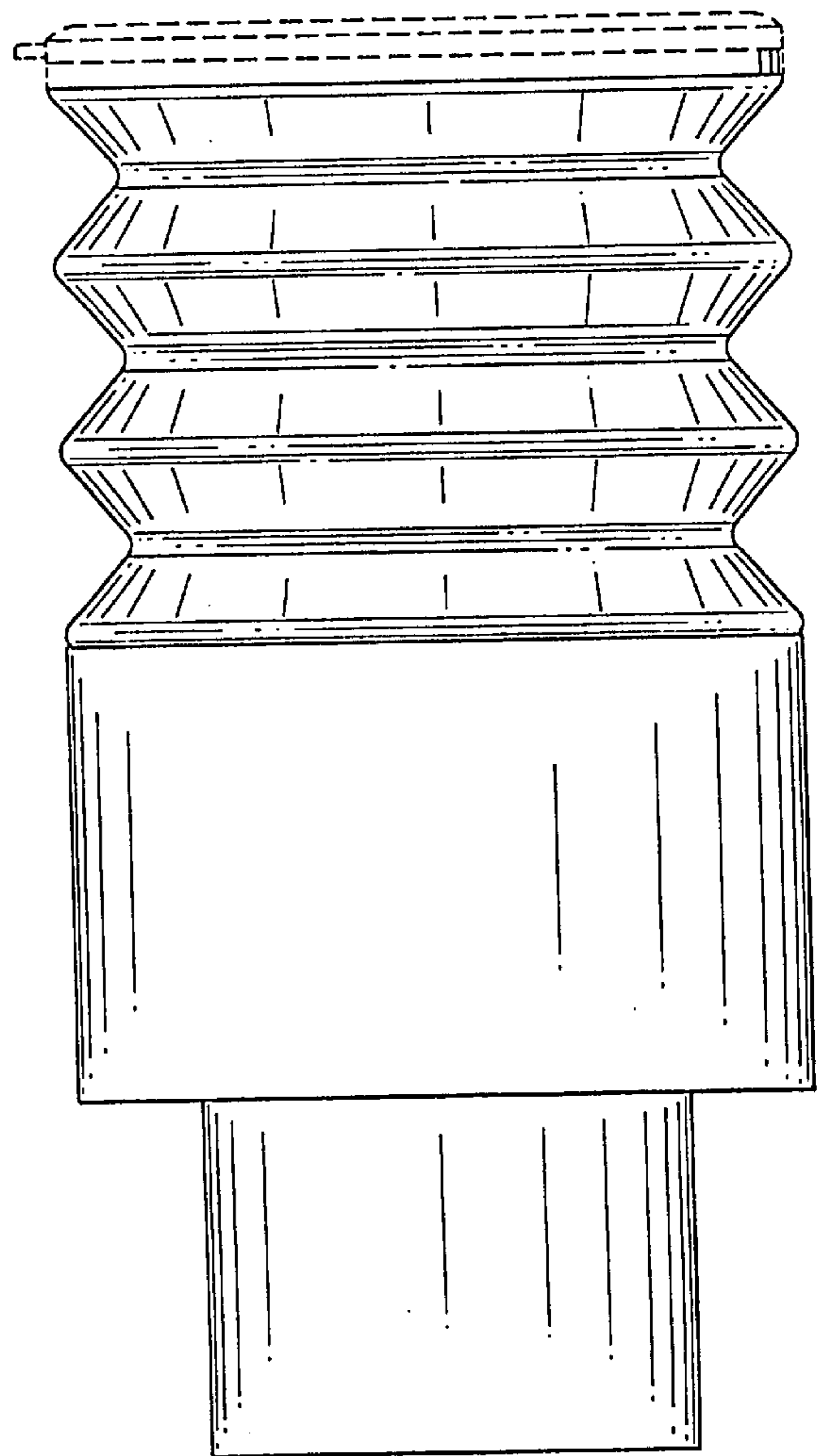


FIG. 3

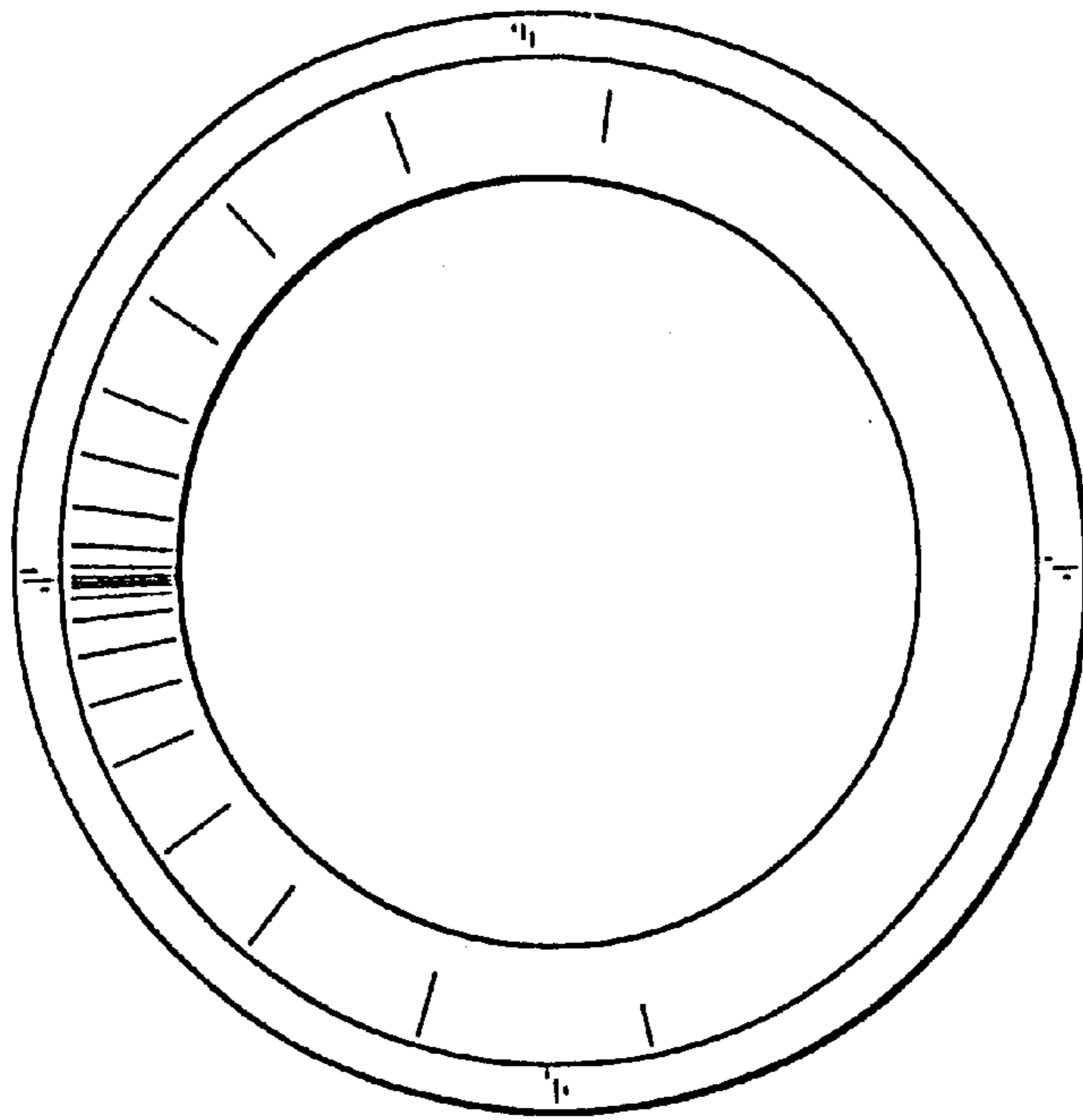


FIG. 4

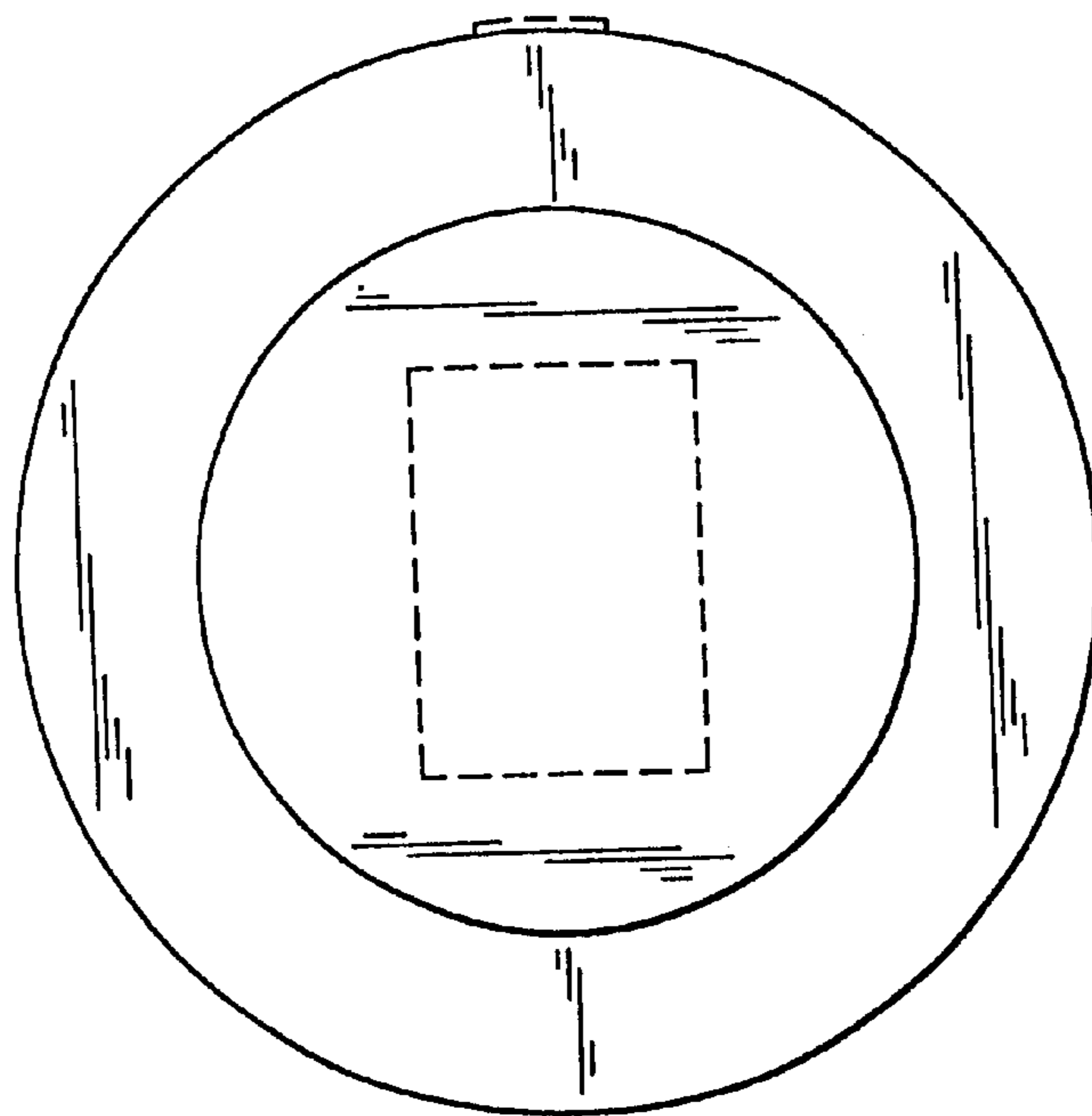
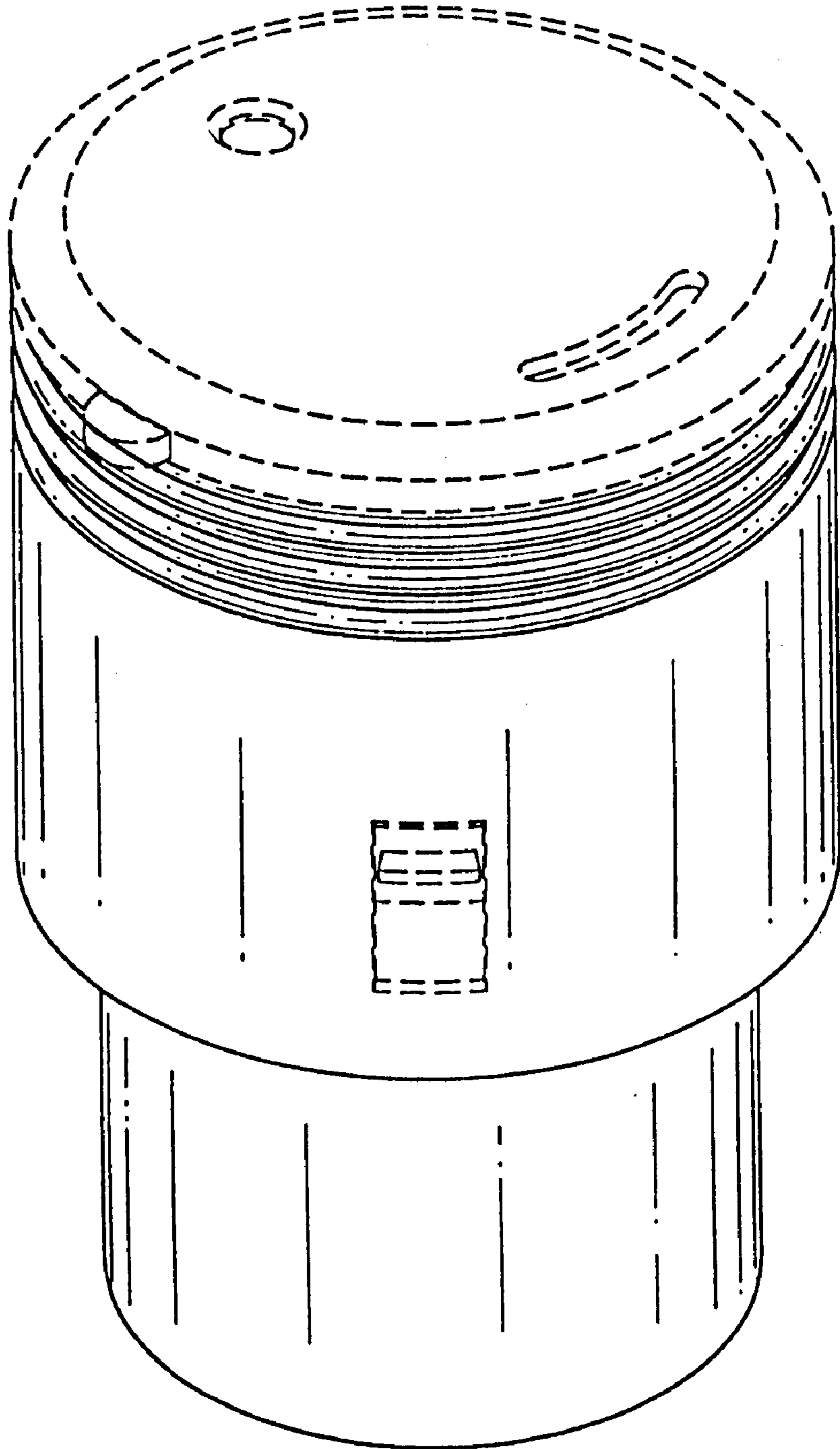


FIG. 5



*FIG. 6*

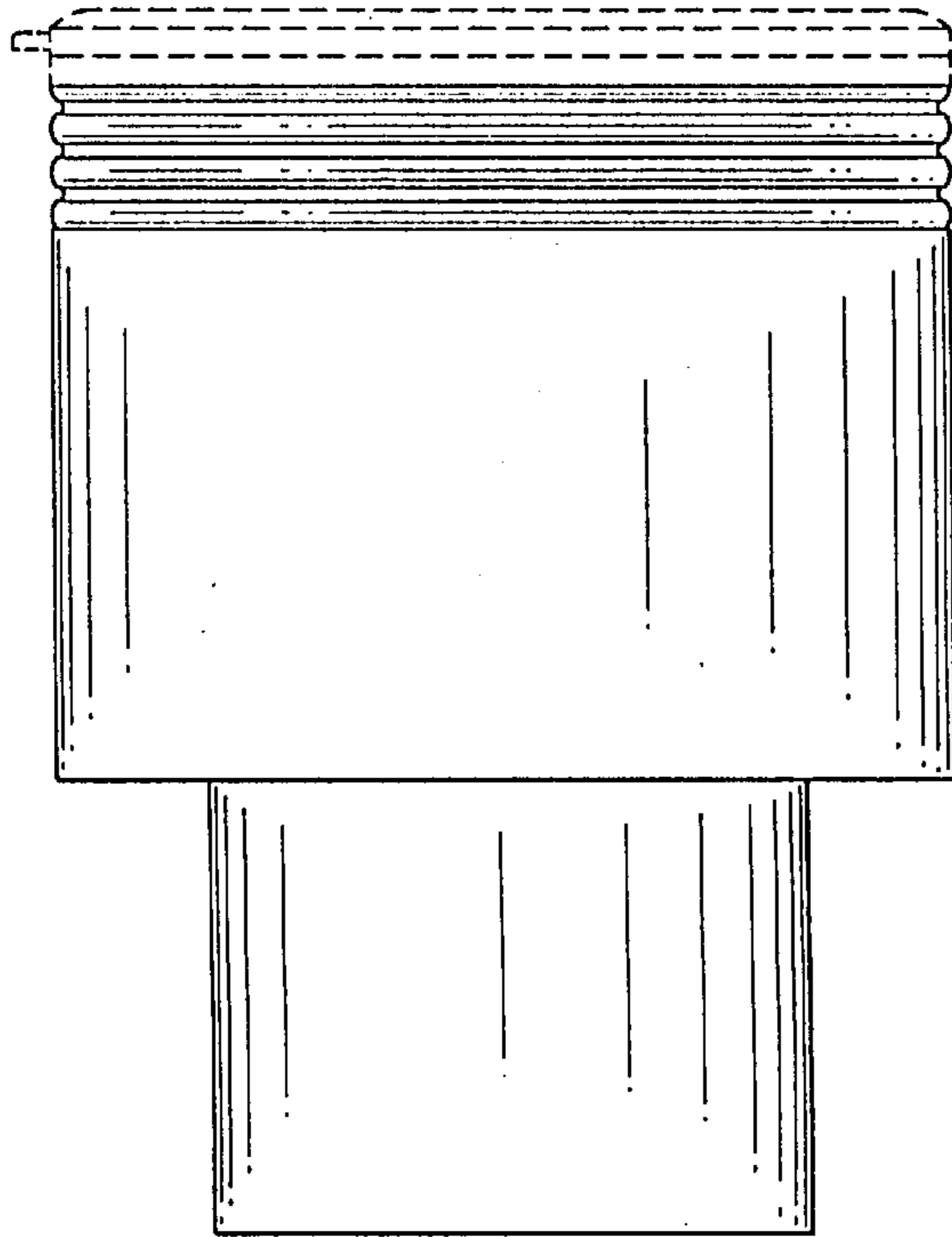


FIG. 7

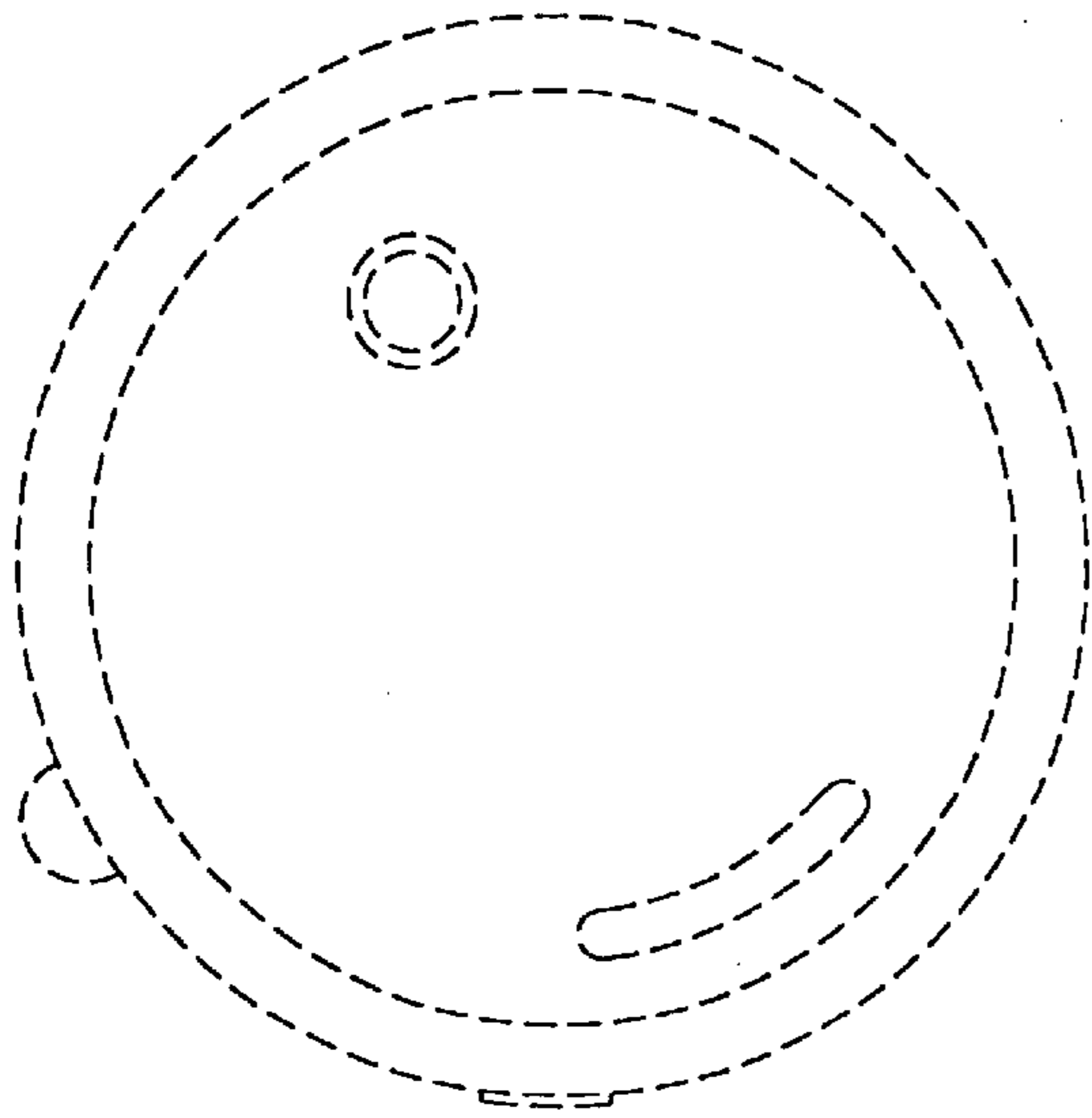


FIG. 8

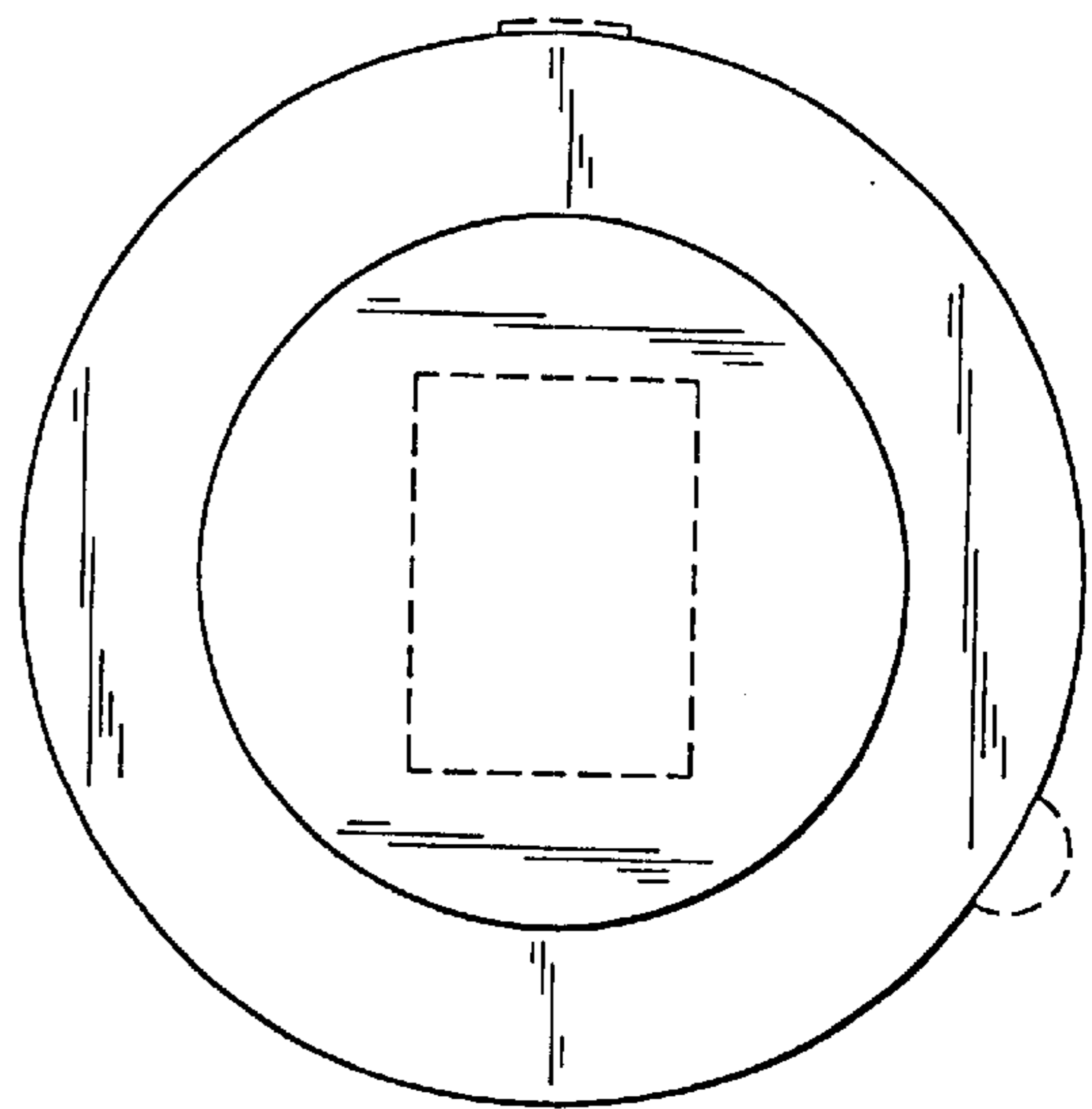


FIG. 9

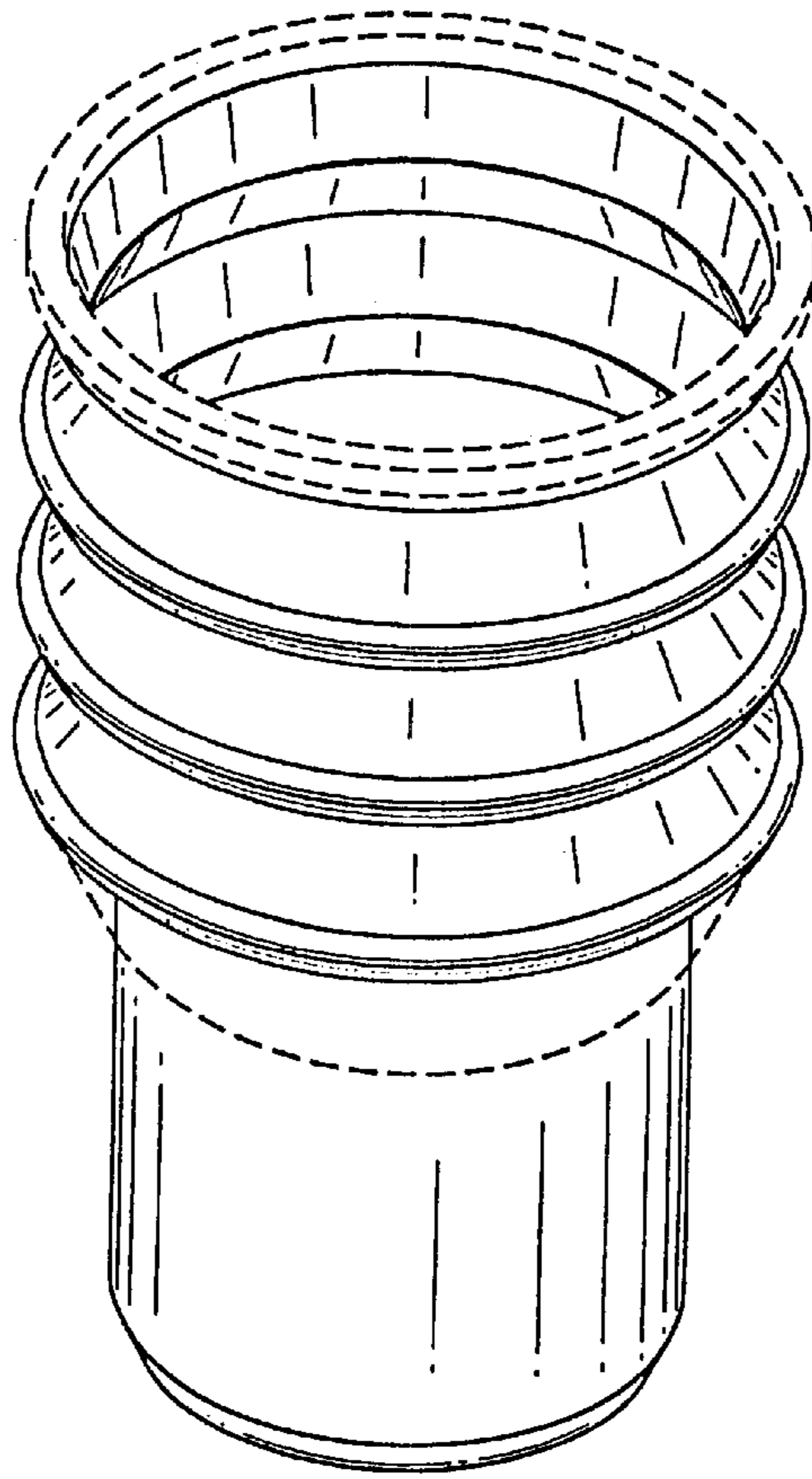


FIG. 10

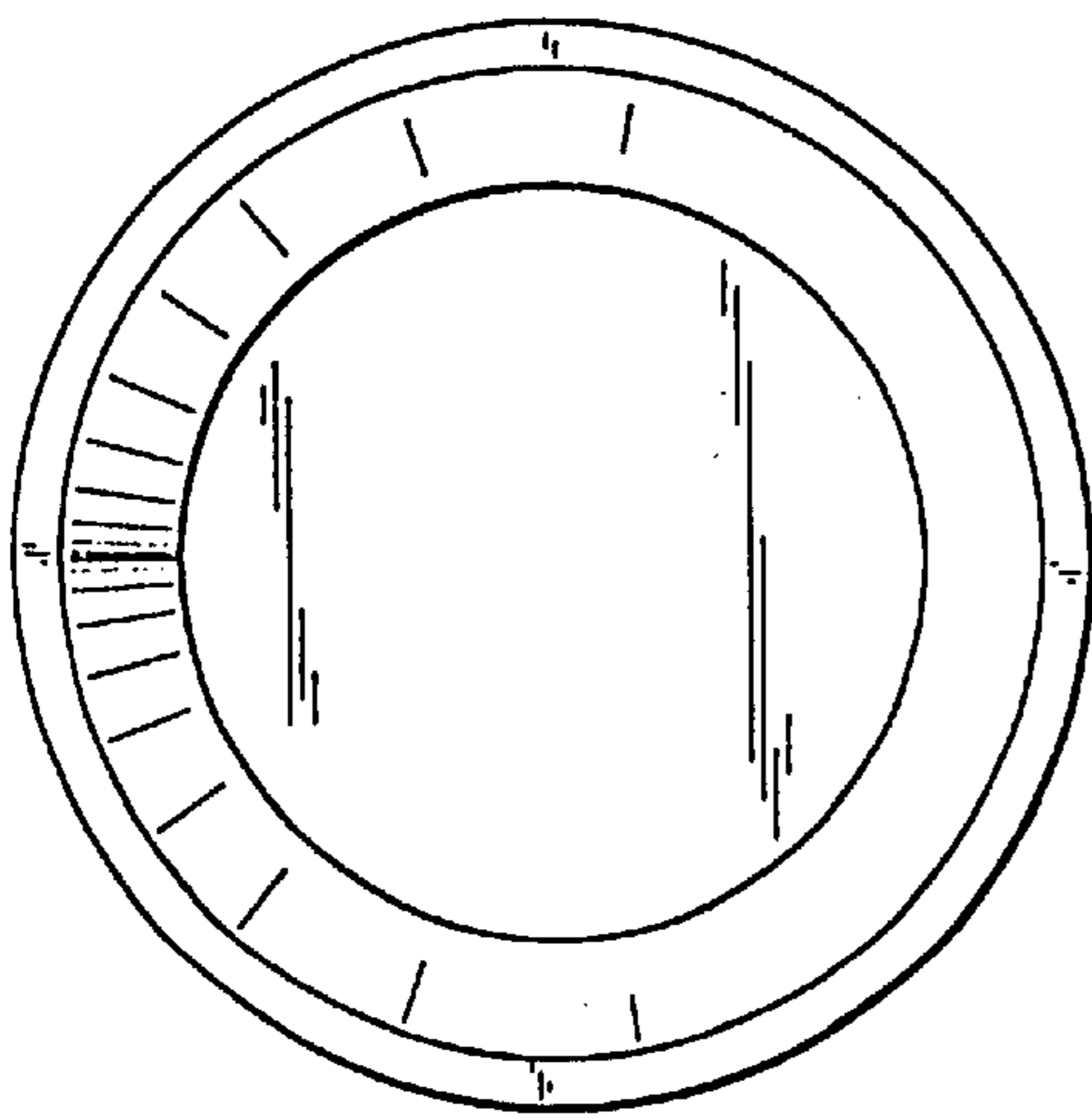


FIG. 11

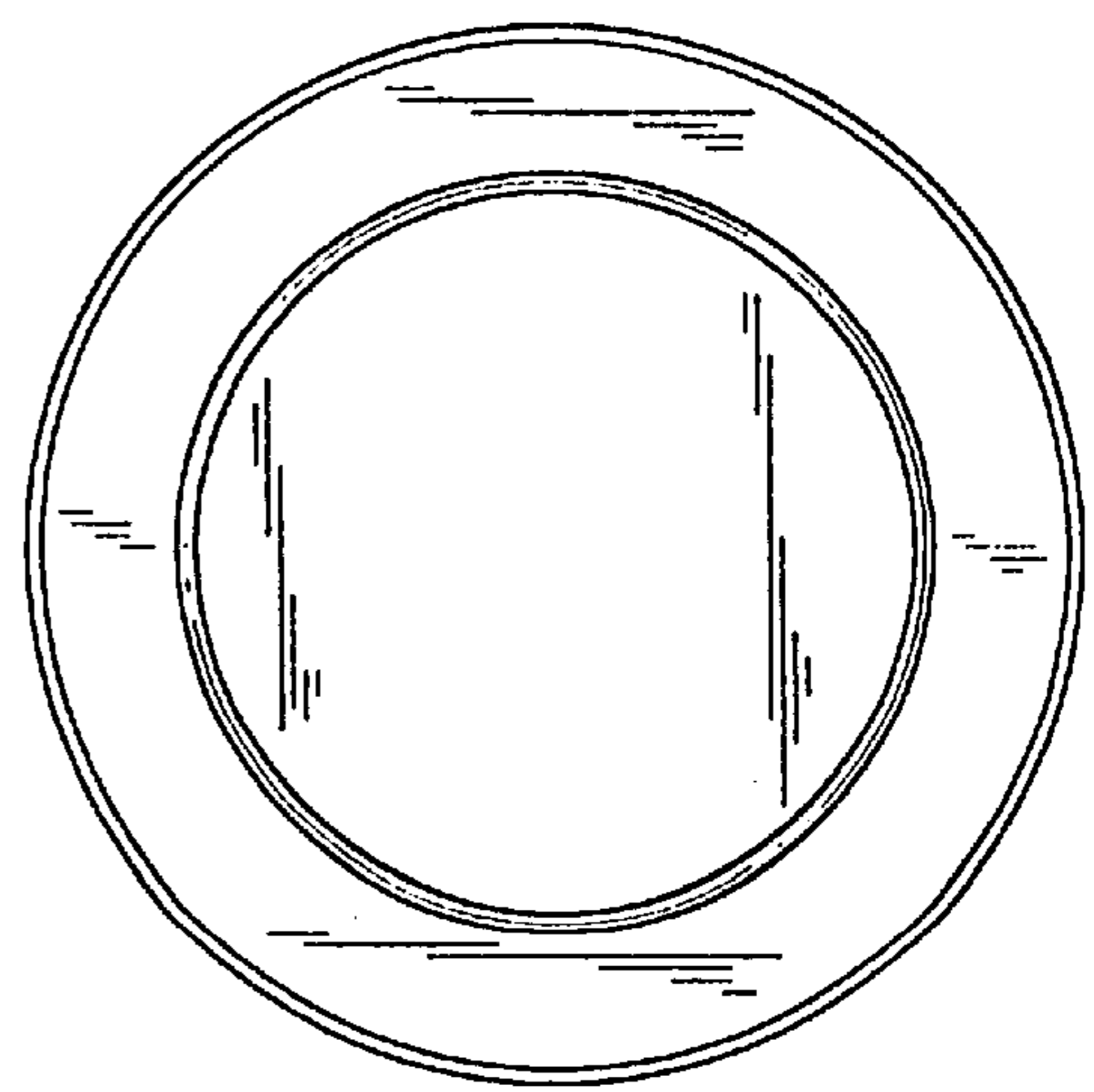


FIG. 12

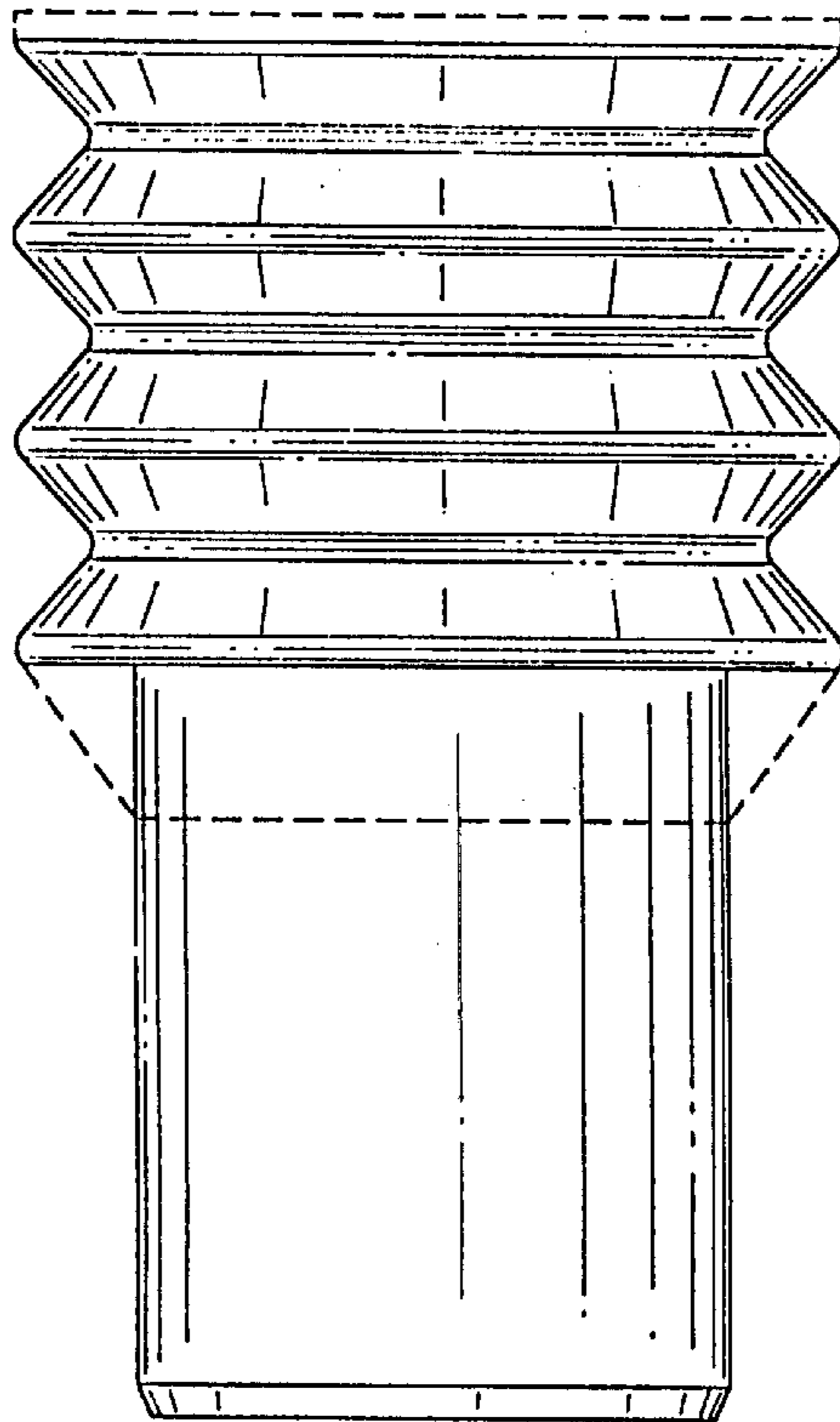


FIG. 13

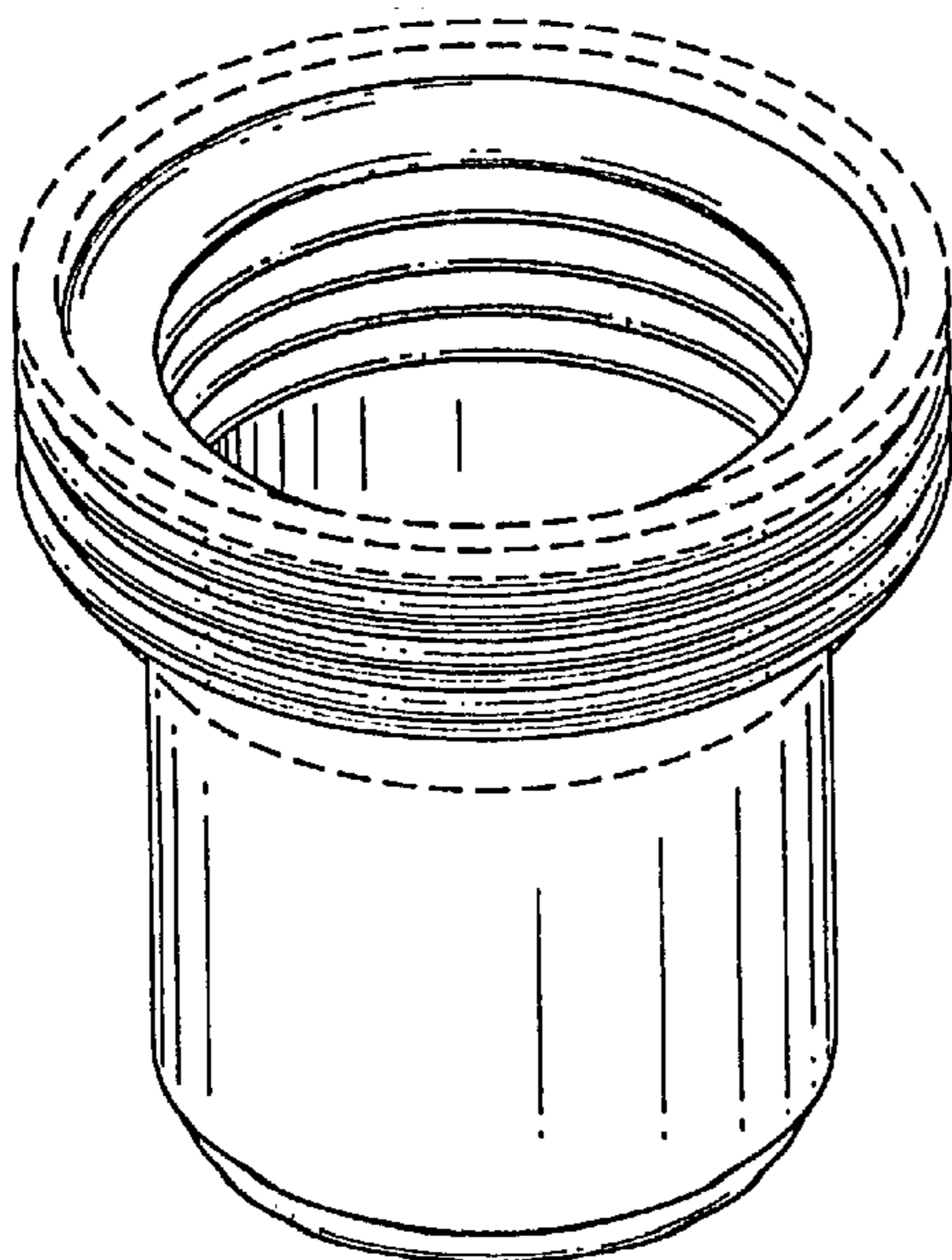


FIG. 14

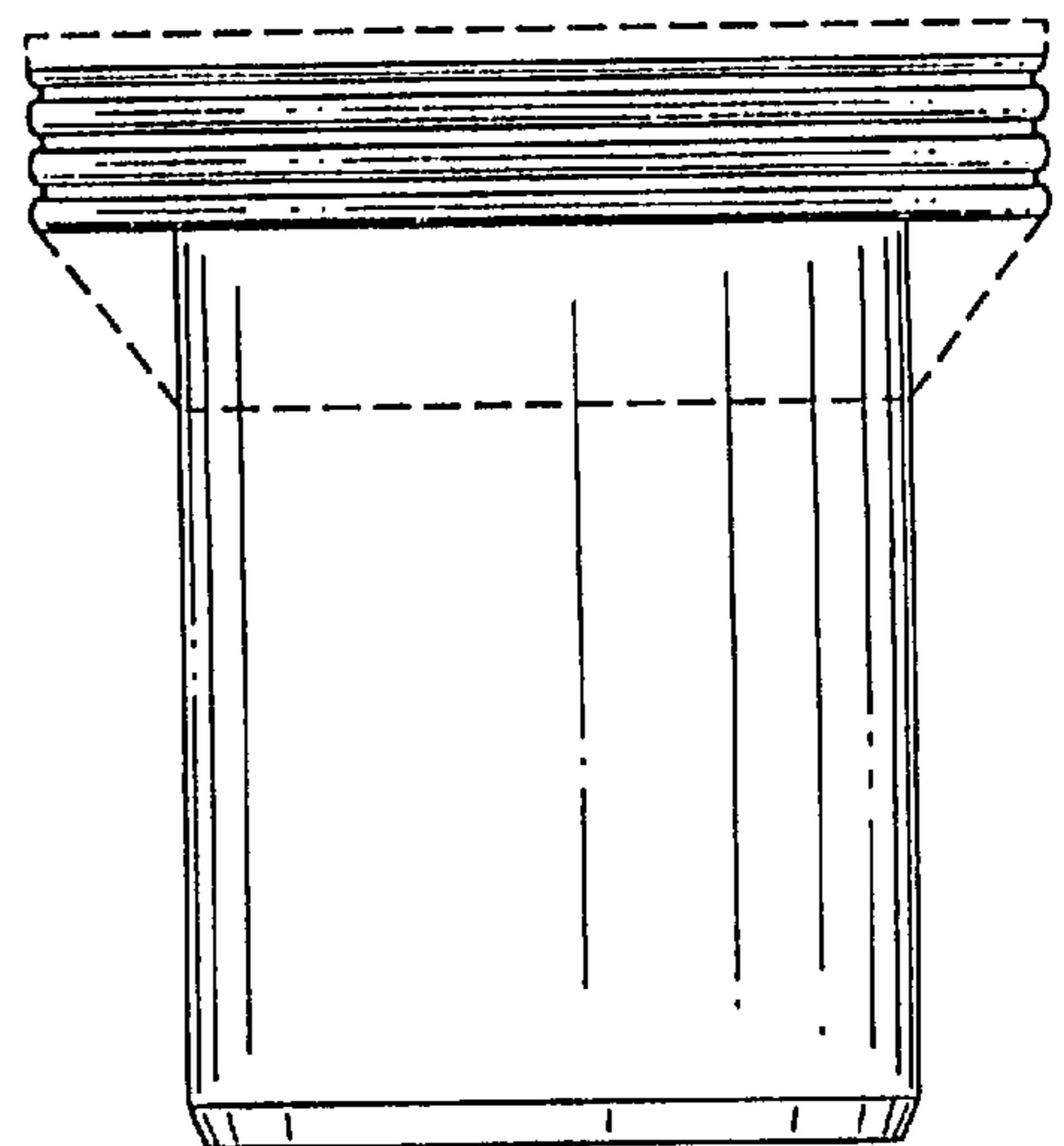


FIG. 15



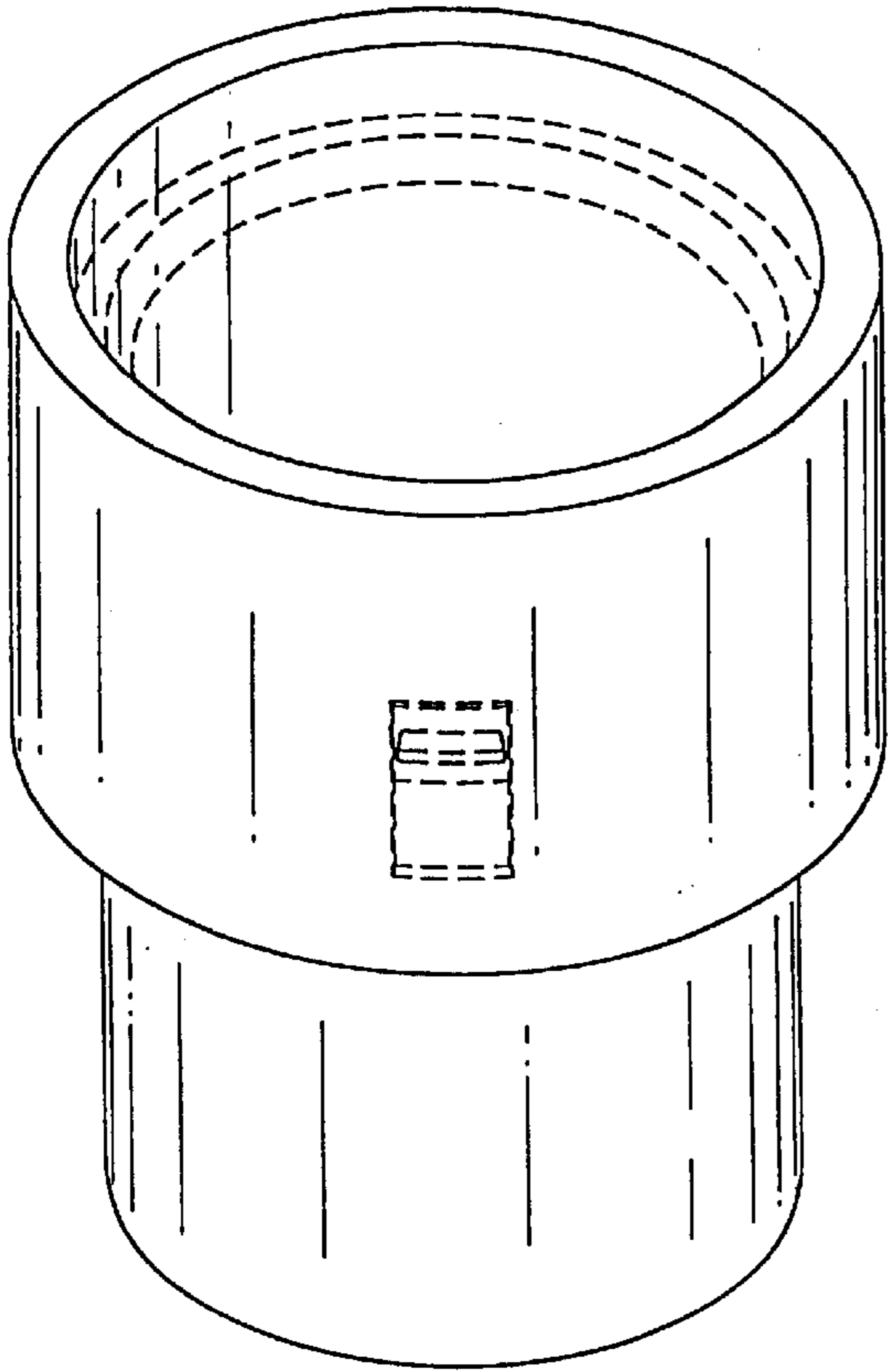


FIG. 16

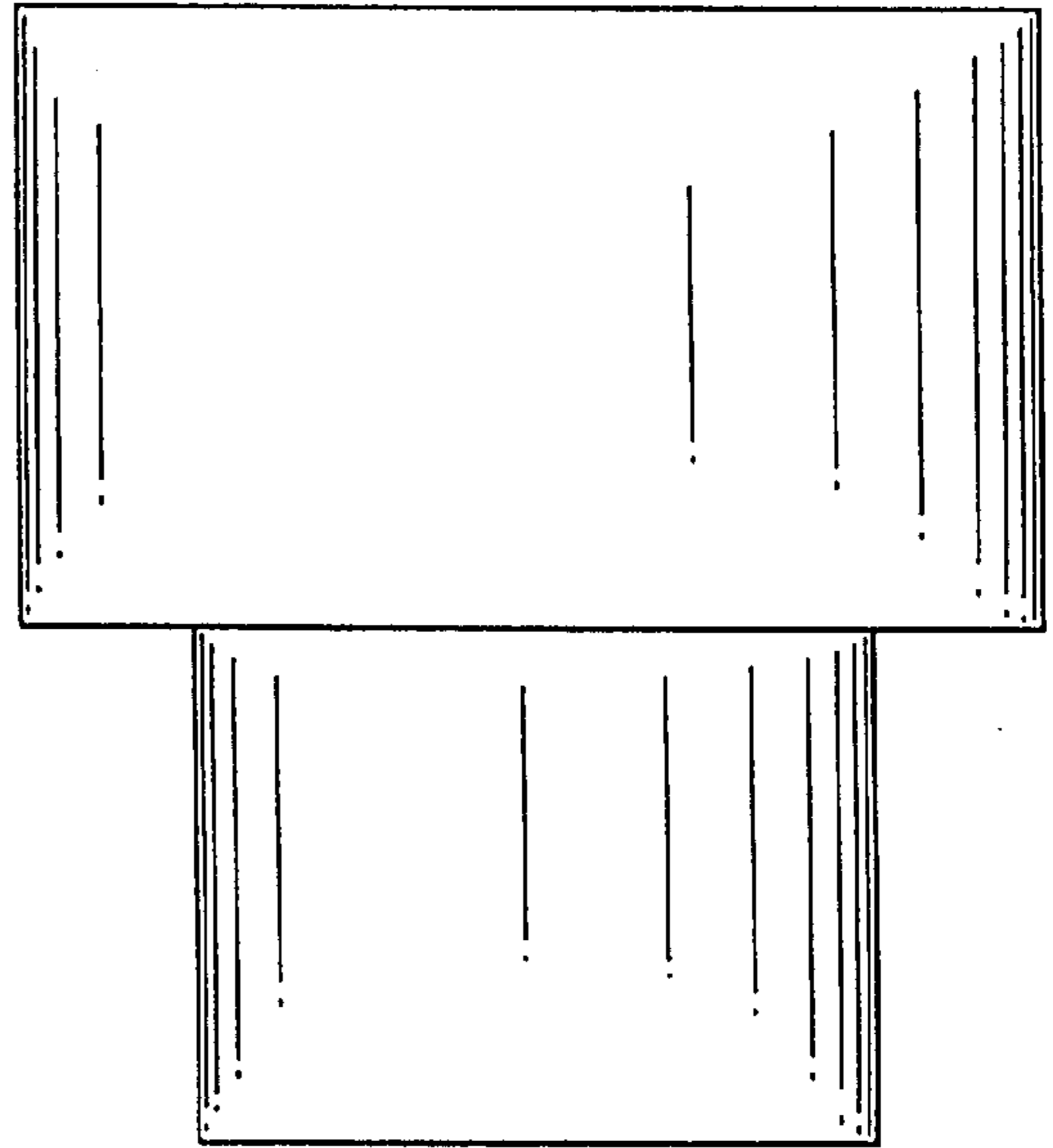


FIG. 17

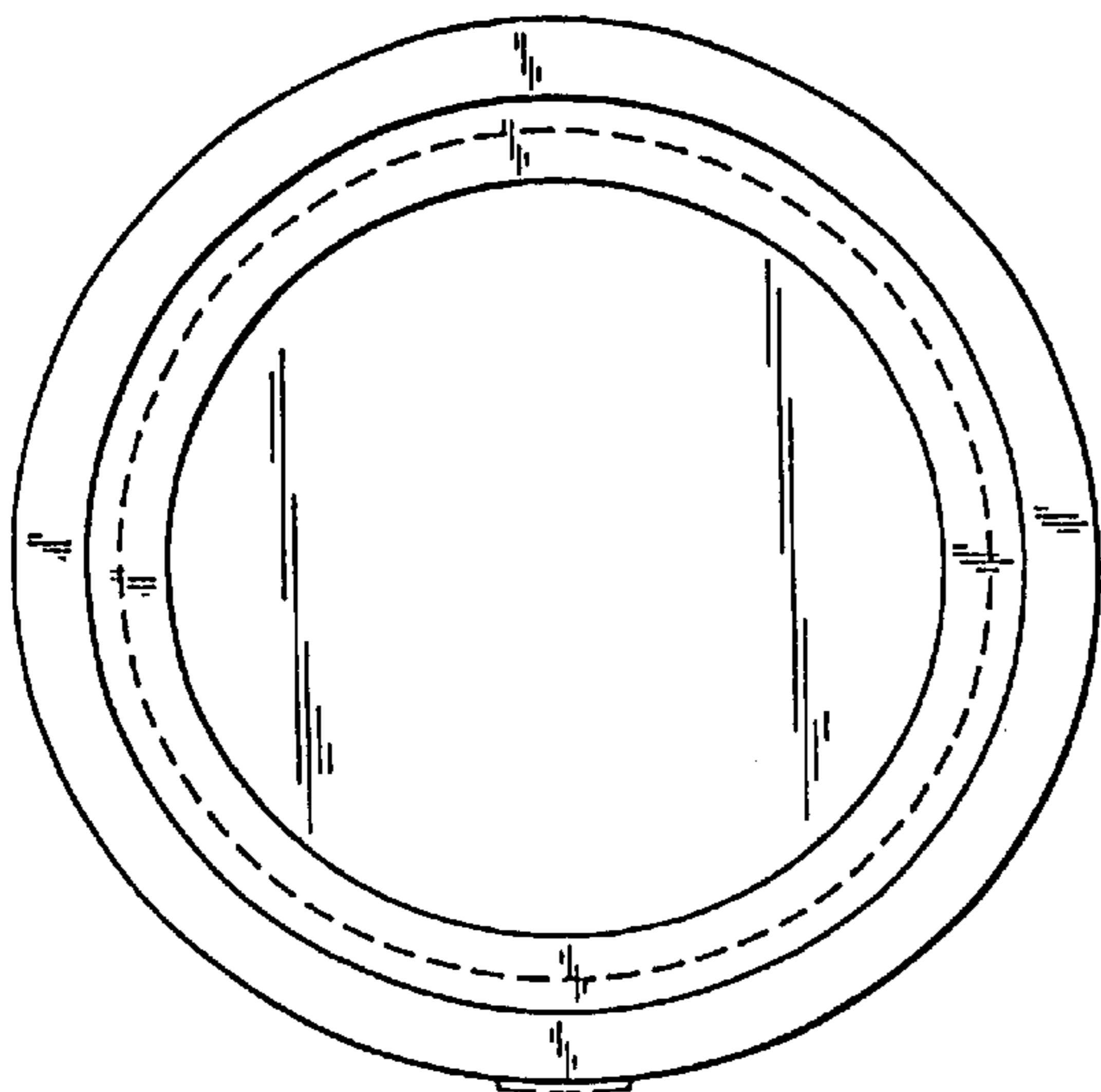


FIG. 18

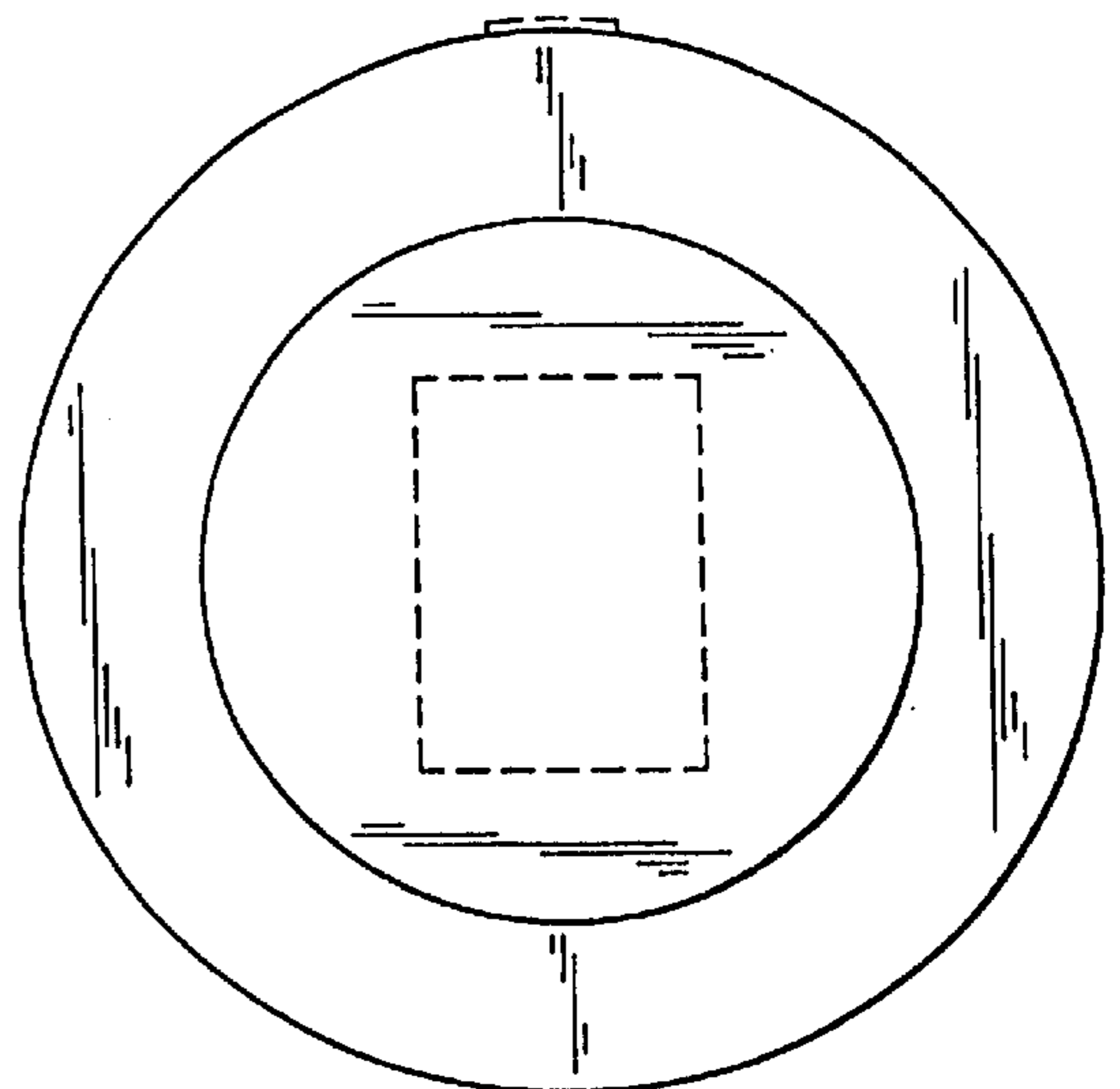


FIG. 19