



US00D466752S

(12) **United States Design Patent**
Rowe et al.

(10) **Patent No.:** **US D466,752 S**

(45) **Date of Patent:** **** Dec. 10, 2002**

(54) **HEAVY DUTY BARBECUE GRILL COVER**

(75) Inventors: **Mike Rowe**, Dayton, OH (US); **Amy Baas**, Dayton, OH (US); **Ken Jordan**, Dawson, GA (US); **Hing Lor**, Columbus, GA (US)

(73) Assignee: **W. C. Bradley Company**, Columbus, GA (US)

(**) Term: **14 Years**

(21) Appl. No.: **29/142,313**

(22) Filed: **May 23, 2001**

(51) **LOC (7) Cl.** **06-13**

(52) **U.S. Cl.** **D6/610**

(58) **Field of Search** D6/610; D7/332, D7/334, 402; 150/154, 157, 158, 164, 165, 166, 901; 99/340, 446; 312/208.3; 52/36.2, DIG. 14; 126/9 R, 25 R

(56) **References Cited**

U.S. PATENT DOCUMENTS

434,052 A * 8/1890 Sims 126/25 R
D377,136 S * 1/1997 Knuth D7/402

5,737,880 A * 4/1998 Hayes et al. 150/165 X

6,263,648 B1 * 7/2001 Carlson 150/166 X

6,298,774 B1 * 10/2001 Latham et al. 99/340

6,328,083 B1 * 12/2001 Esterston et al. 150/154

* cited by examiner

Primary Examiner—Louis S. Zarfes

Assistant Examiner—Monica A. Weingart

(74) *Attorney, Agent, or Firm*—James W. Kayden; Thomas, Kayden, Horstemeyer & Risley, LLP

(57) **CLAIM**

The ornamental design of a heavy duty barbecue grill cover, as shown and described.

DESCRIPTION

FIG. 1 is a perspective view showing our new heavy duty barbecue grill cover;

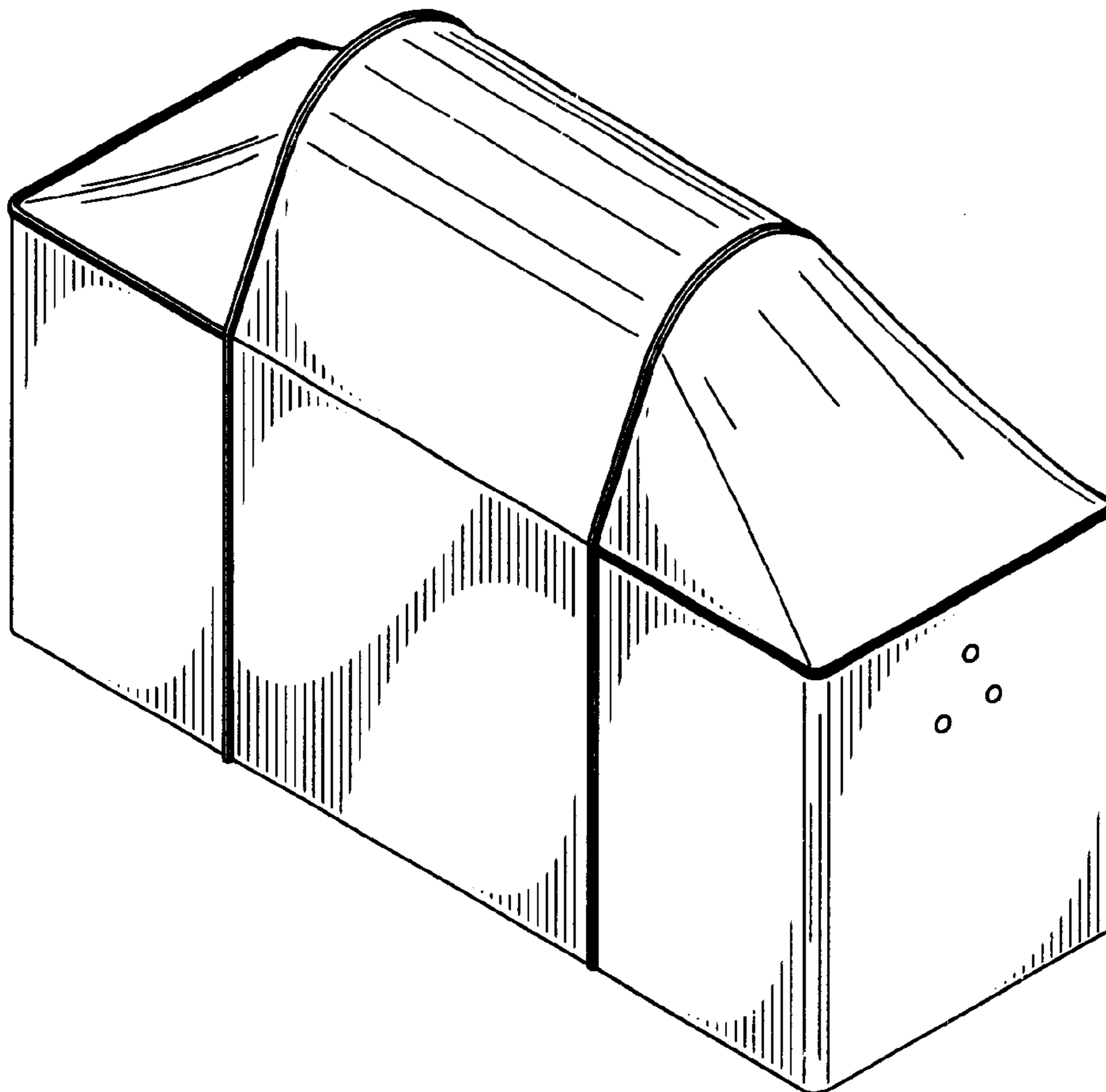
FIG. 2 is a front elevational view thereof, the rear elevational view thereof being a mirror image of that which is shown;

FIG. 3 is a left side elevational view thereof;

FIG. 4 is a right side elevational view thereof; and,

FIG. 5 is a top plan view thereof, the bottom plan view forms no part of the present invention.

1 Claim, 2 Drawing Sheets



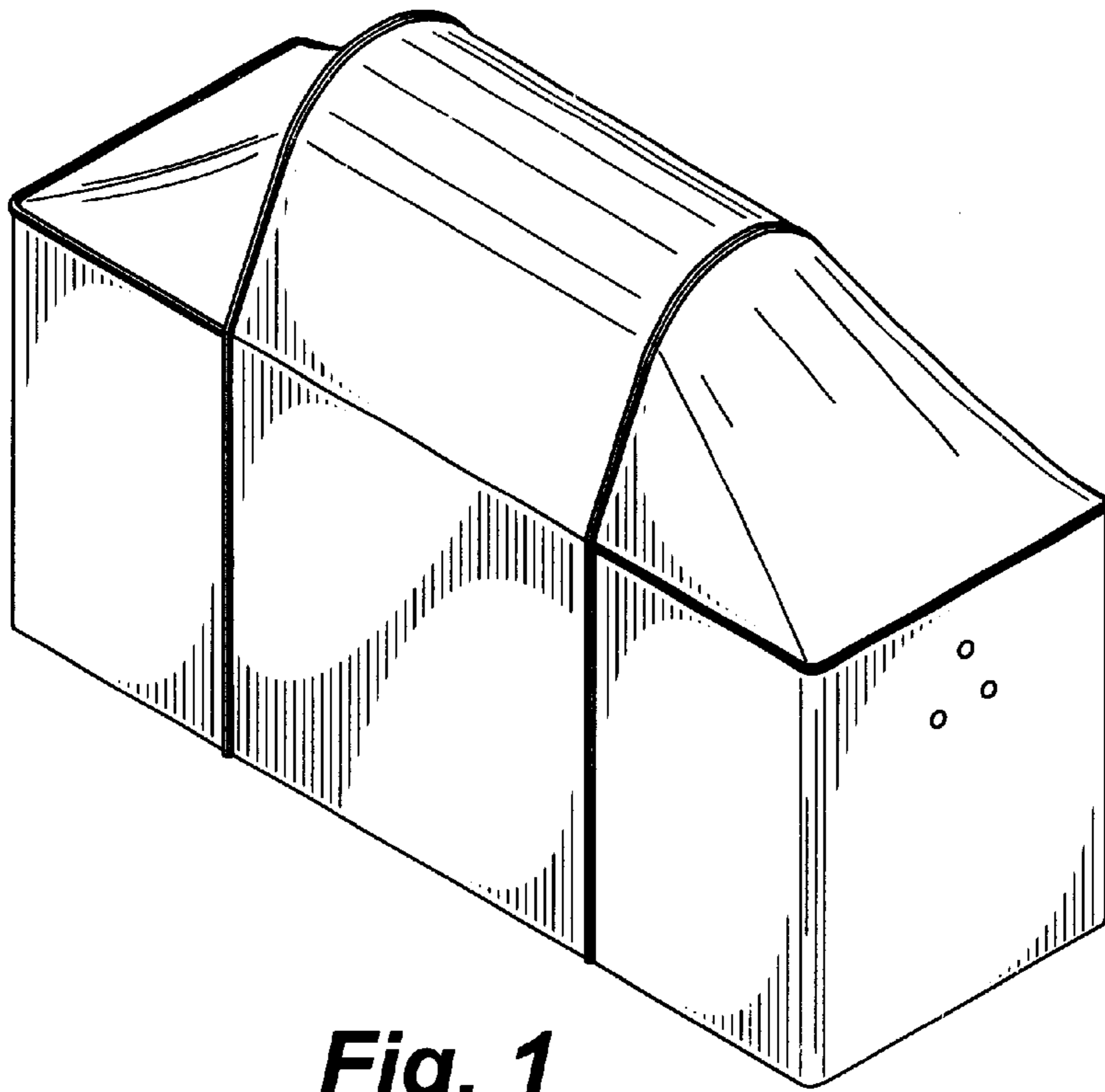


Fig. 1

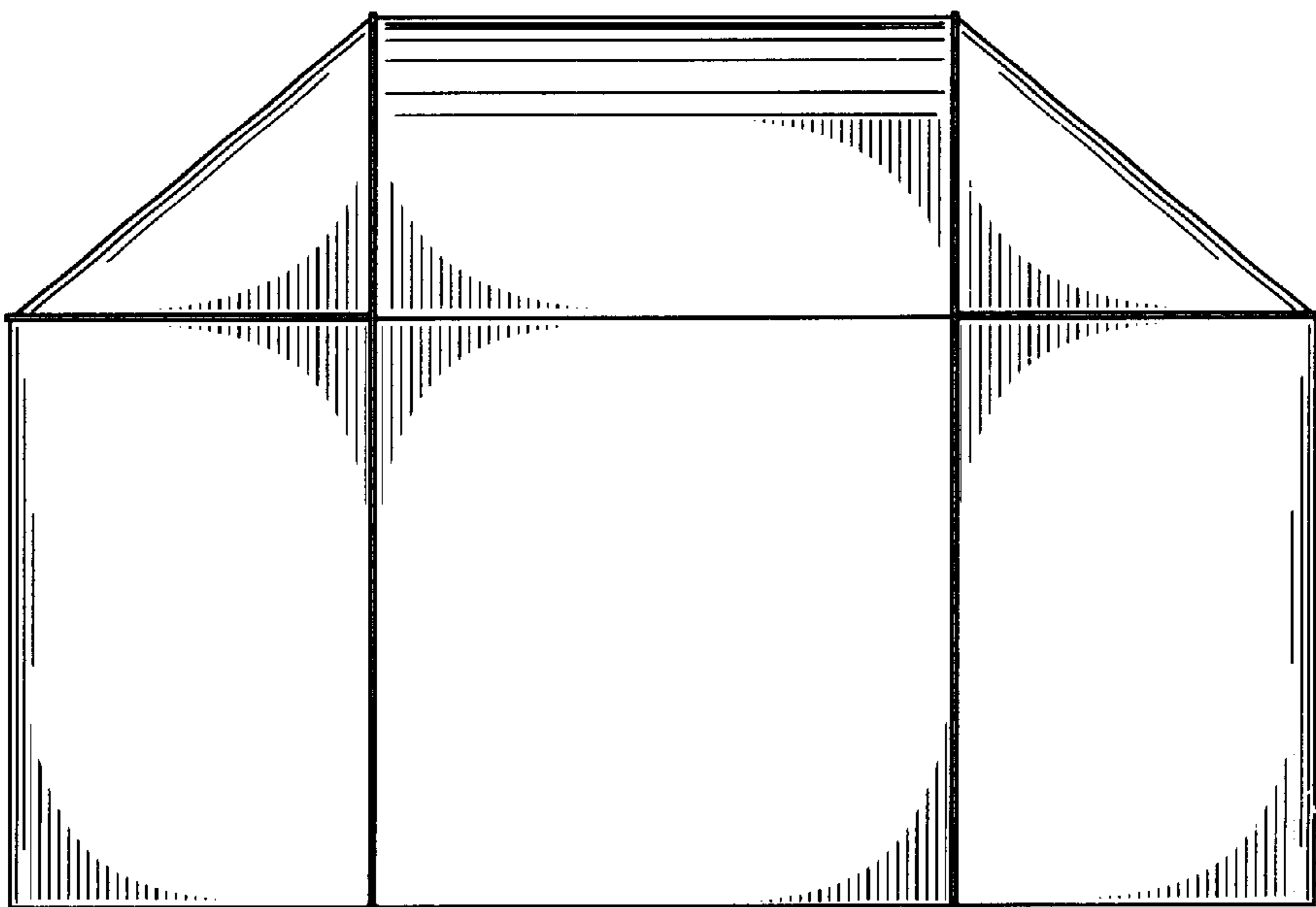


Fig. 2

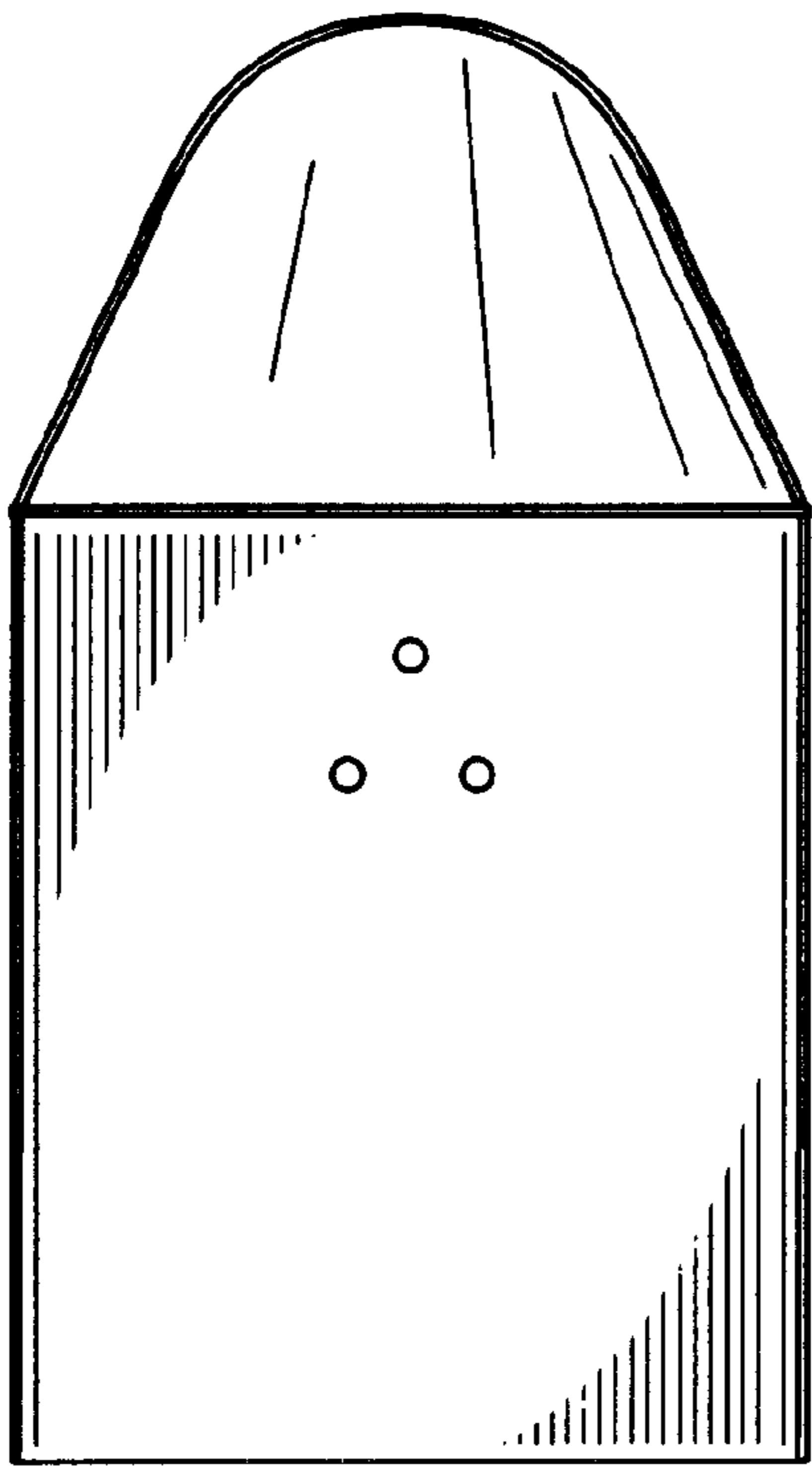


Fig. 3

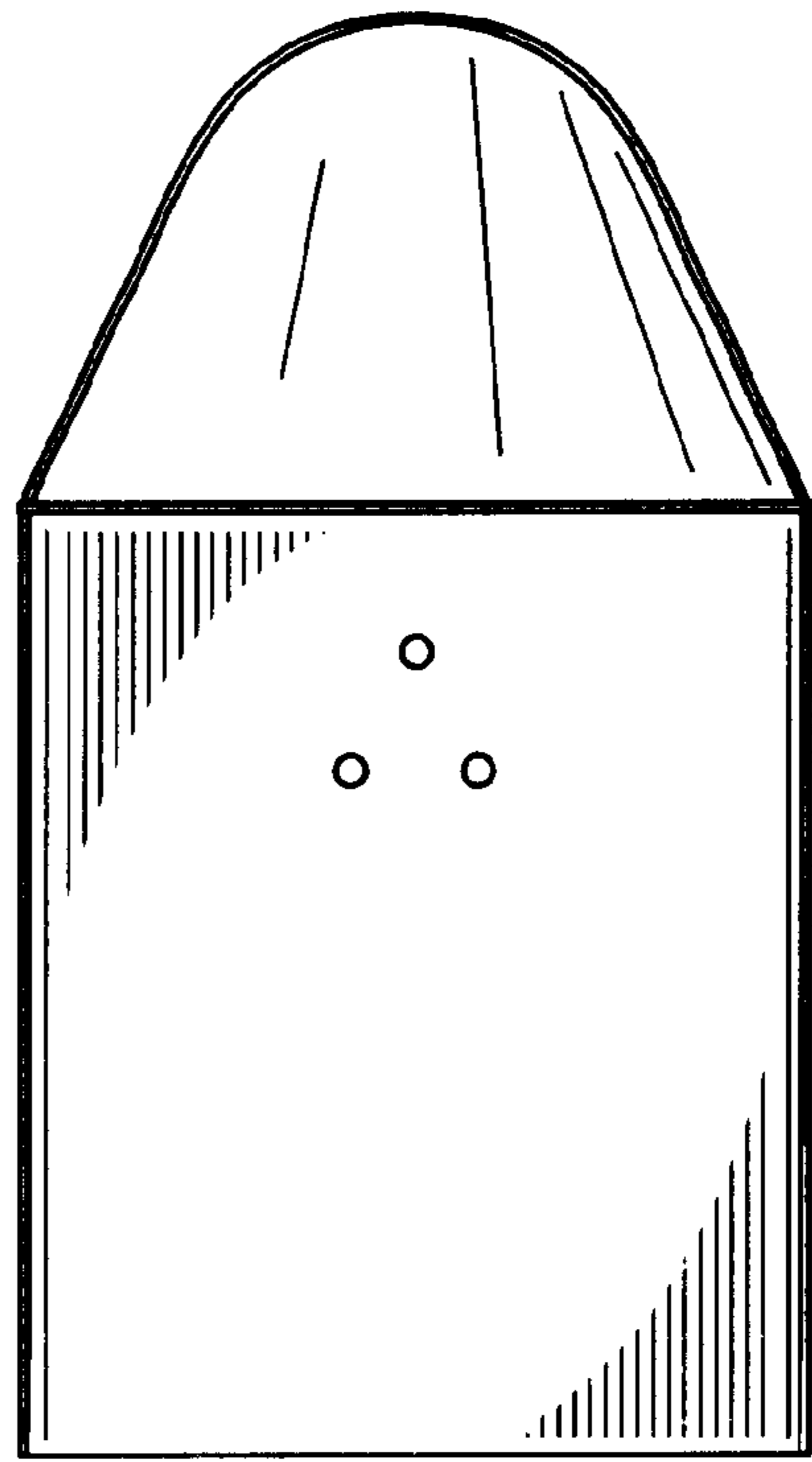


Fig. 4

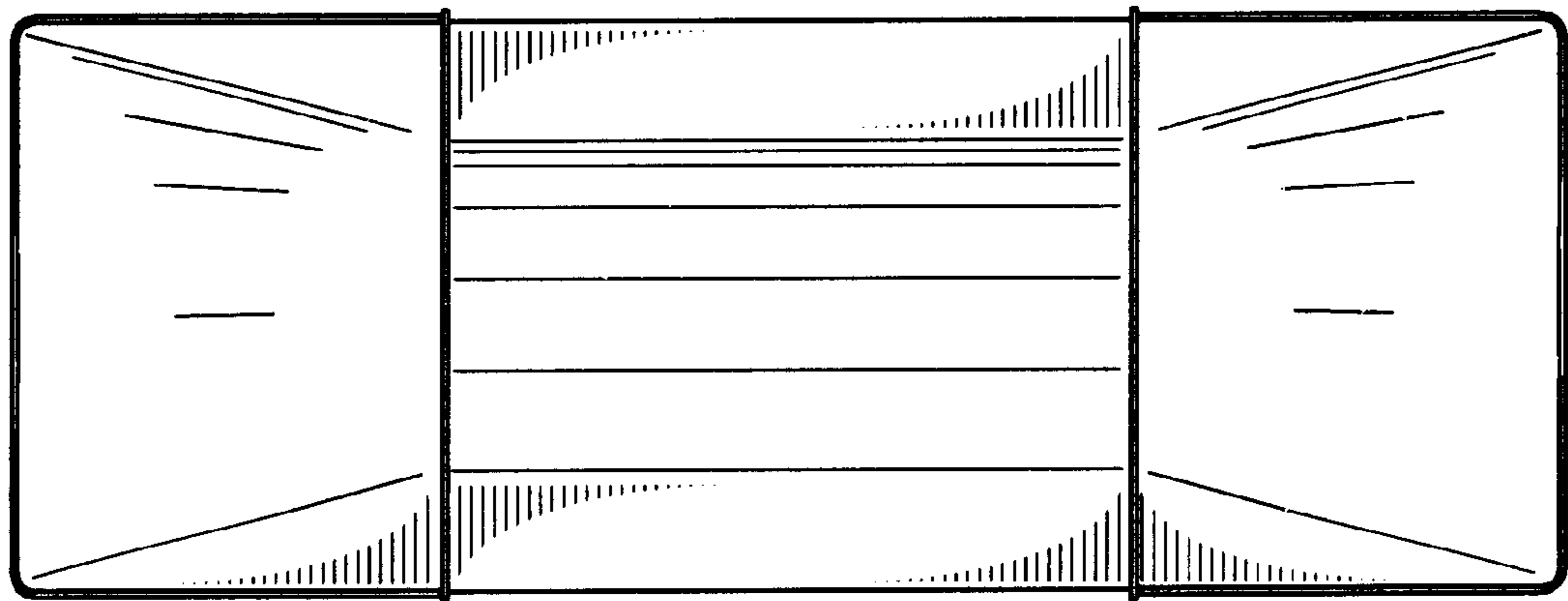


Fig. 5