



US00D466748S

(12) **United States Design Patent** (10) **Patent No.:** **US D466,748 S**
Battaglia, Jr. et al. (45) **Date of Patent:** **** Dec. 10, 2002**

(54) **DISPLAY ARMS ASSEMBLY**

D381,854 S * 8/1997 Moeller et al. D6/566

(75) Inventors: **Joseph M. Battaglia, Jr.**, Frisco, TX
 (US); **Denis Peter Gibney**, Dallas, TX
 (US); **Frederick David Lindsay**,
 Hendersonville, NC (US); **Reggie**
Wayne Stubblefield, Garland, TX (US)

* cited by examiner

Primary Examiner—Brian N. Vinson
 (74) *Attorney, Agent, or Firm*—Colin P. Cahoon; Carstens,
 Yee & Cahoon

(73) Assignee: **RECOT, Inc.**, Pleasanton, CA (US)

(**) Term: **14 Years**

(57) **CLAIM**

The ornamental design for a display arms assembly, as shown.

(21) Appl. No.: **29/152,322**

DESCRIPTION

(22) Filed: **Dec. 17, 2001**

(51) **LOC (7) Cl.** **06-04**

(52) **U.S. Cl.** **D6/566**

(58) **Field of Search** D6/553, 566, 567;
 211/13.1, 17-18, 23, 35, 41.1, 41.3, 41.4,
 20.6, 87.01, 100, 106, 181.1; 248/251,
 302, 304, 309.1

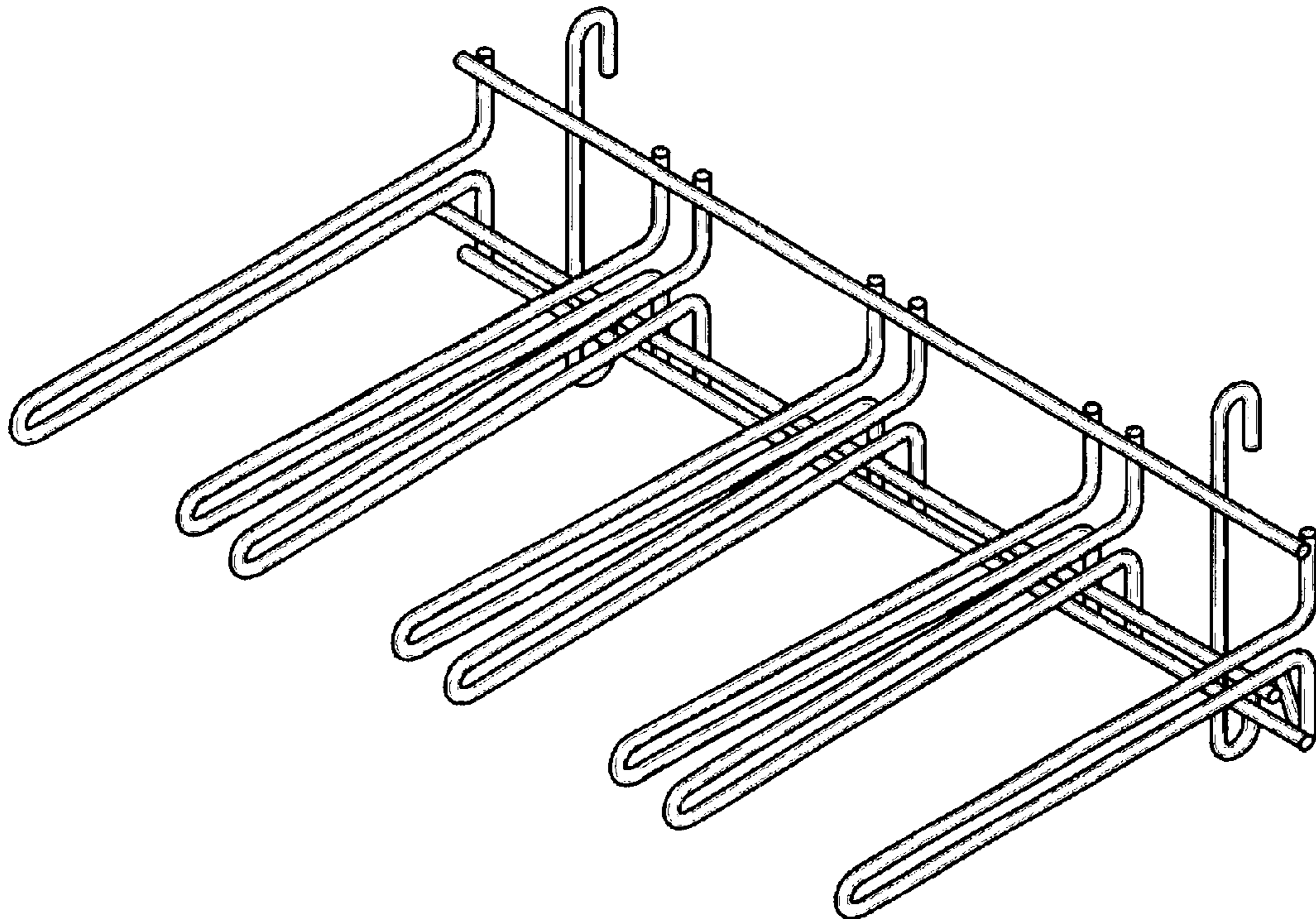
FIG. 1 is a perspective view of the display arms assembly of the present invention;
 FIG. 2 is a front elevation view of the display arms assembly of the present invention;
 FIG. 3 is a rear elevation view of the display arms assembly of the present invention;
 FIG. 4 is a right elevation view of the display arms assembly of the present invention, with the left elevation view a mirror image of the right elevation view;
 FIG. 5 is a top plan view of the display arms assembly of the present invention; and,
 FIG. 6 is a bottom plan view of the display arms assembly of the present invention.

(56) **References Cited**

U.S. PATENT DOCUMENTS

- D200,617 S * 3/1965 Smith D6/566
 D298,713 S * 11/1988 Hinderaker et al. D6/566 X
 D356,916 S * 4/1995 Chadwick D6/566

1 Claim, 3 Drawing Sheets



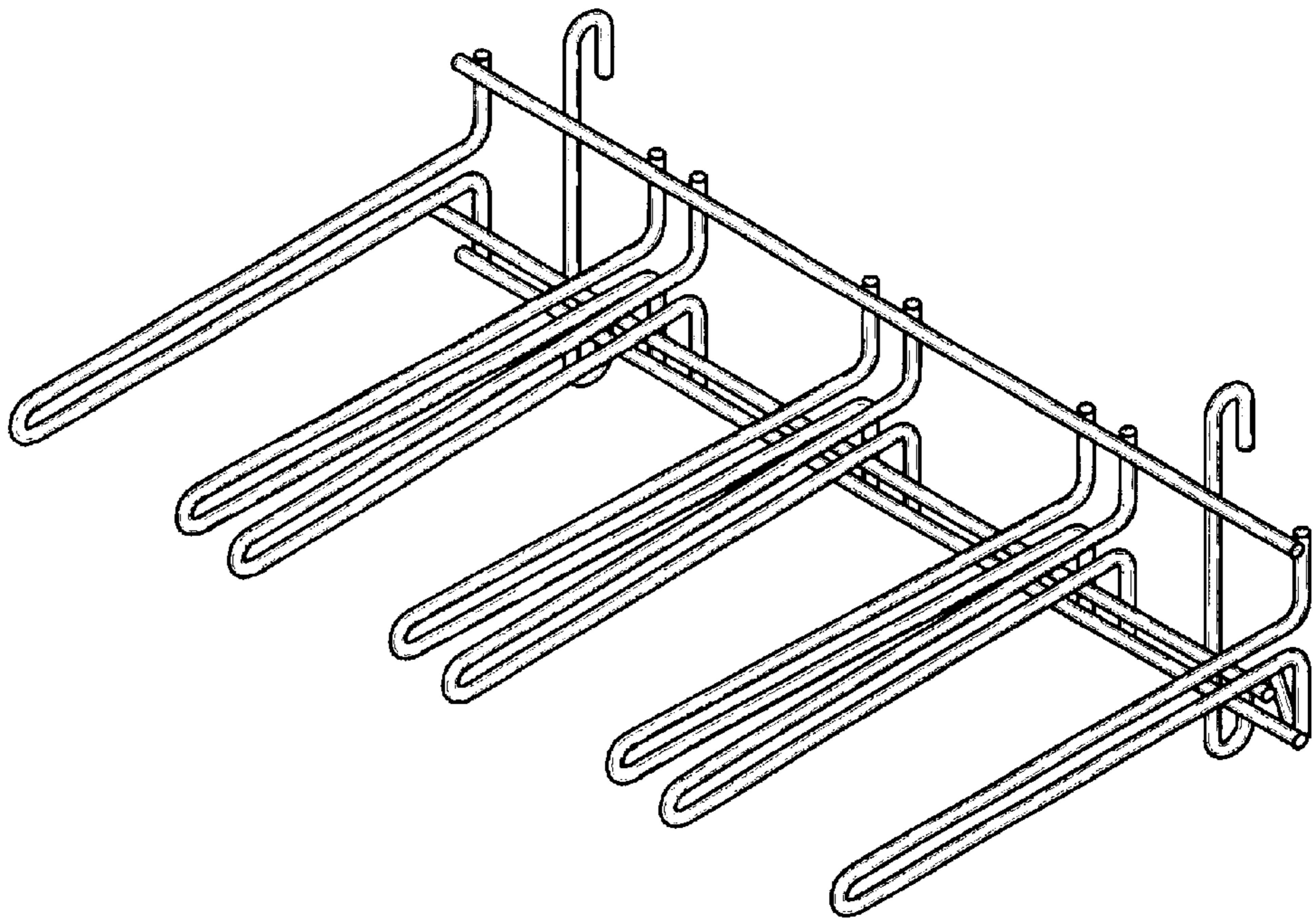


FIG. 1

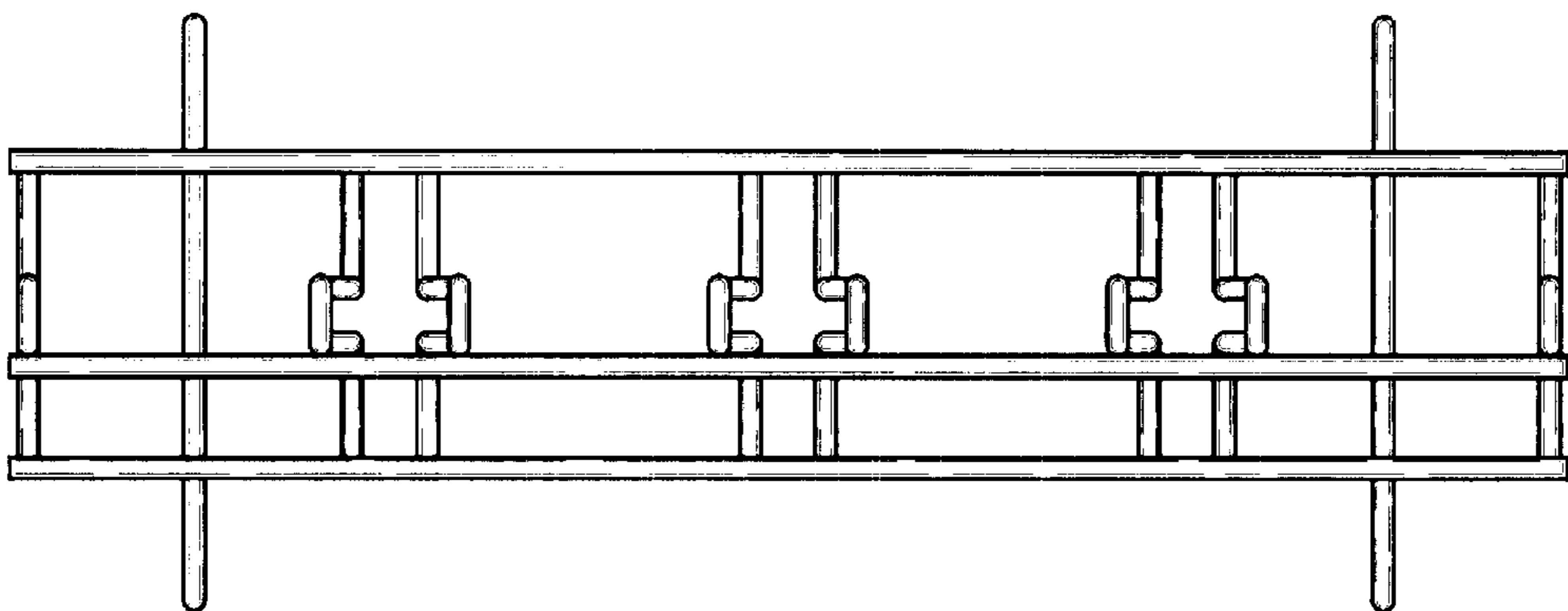


FIG. 2

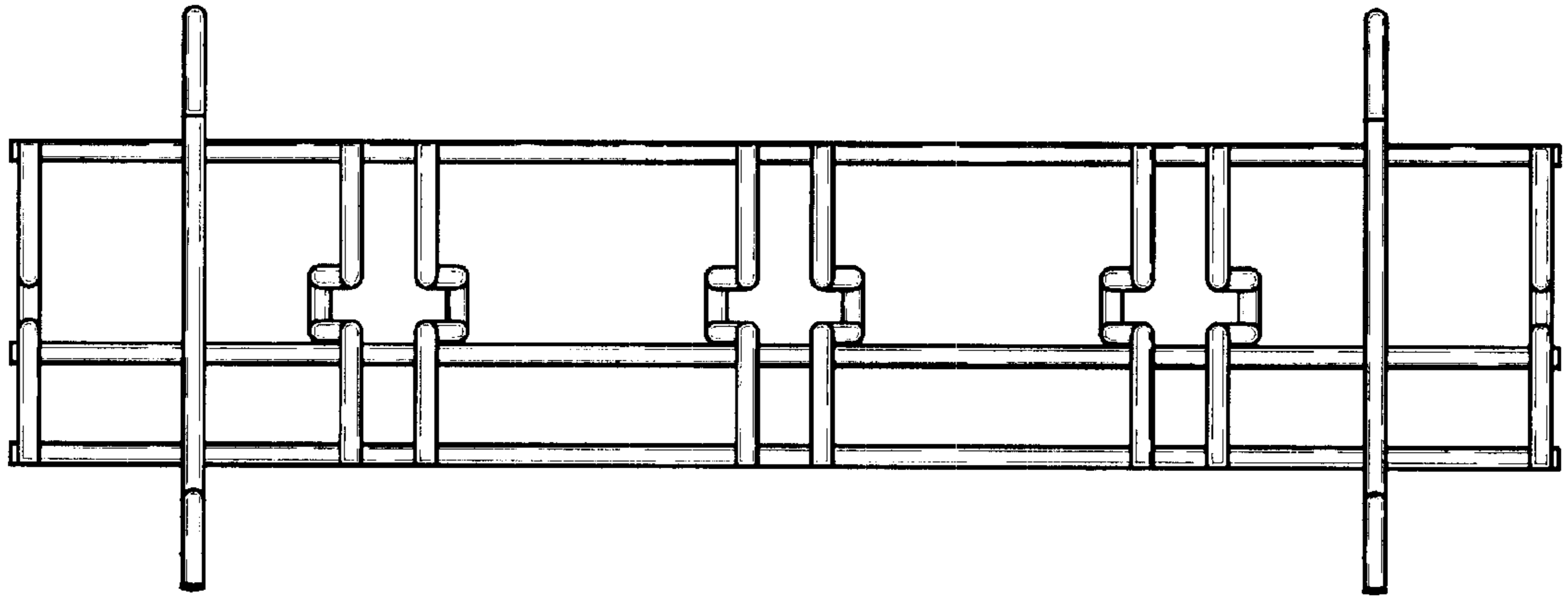


FIG. 3

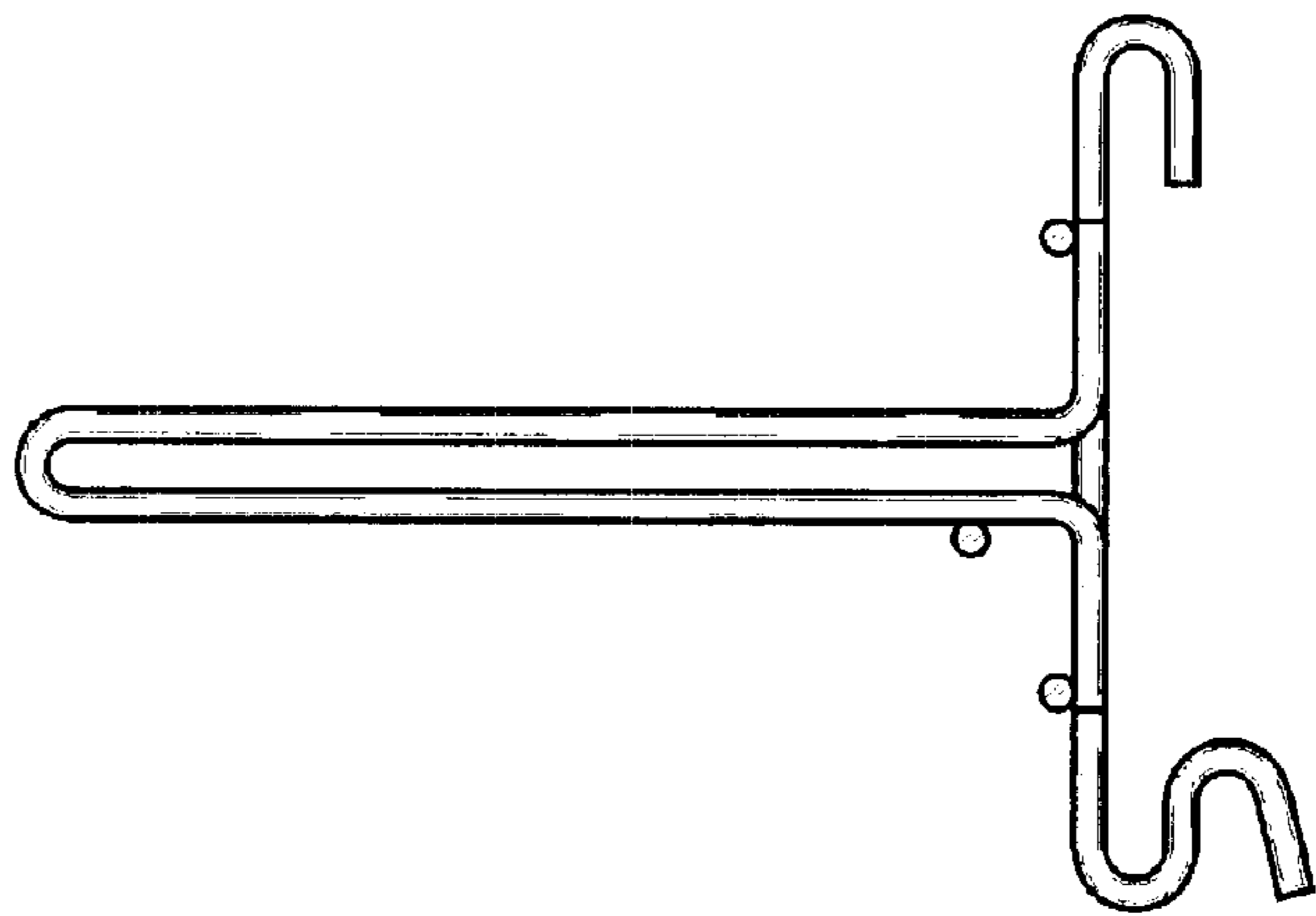


FIG. 4

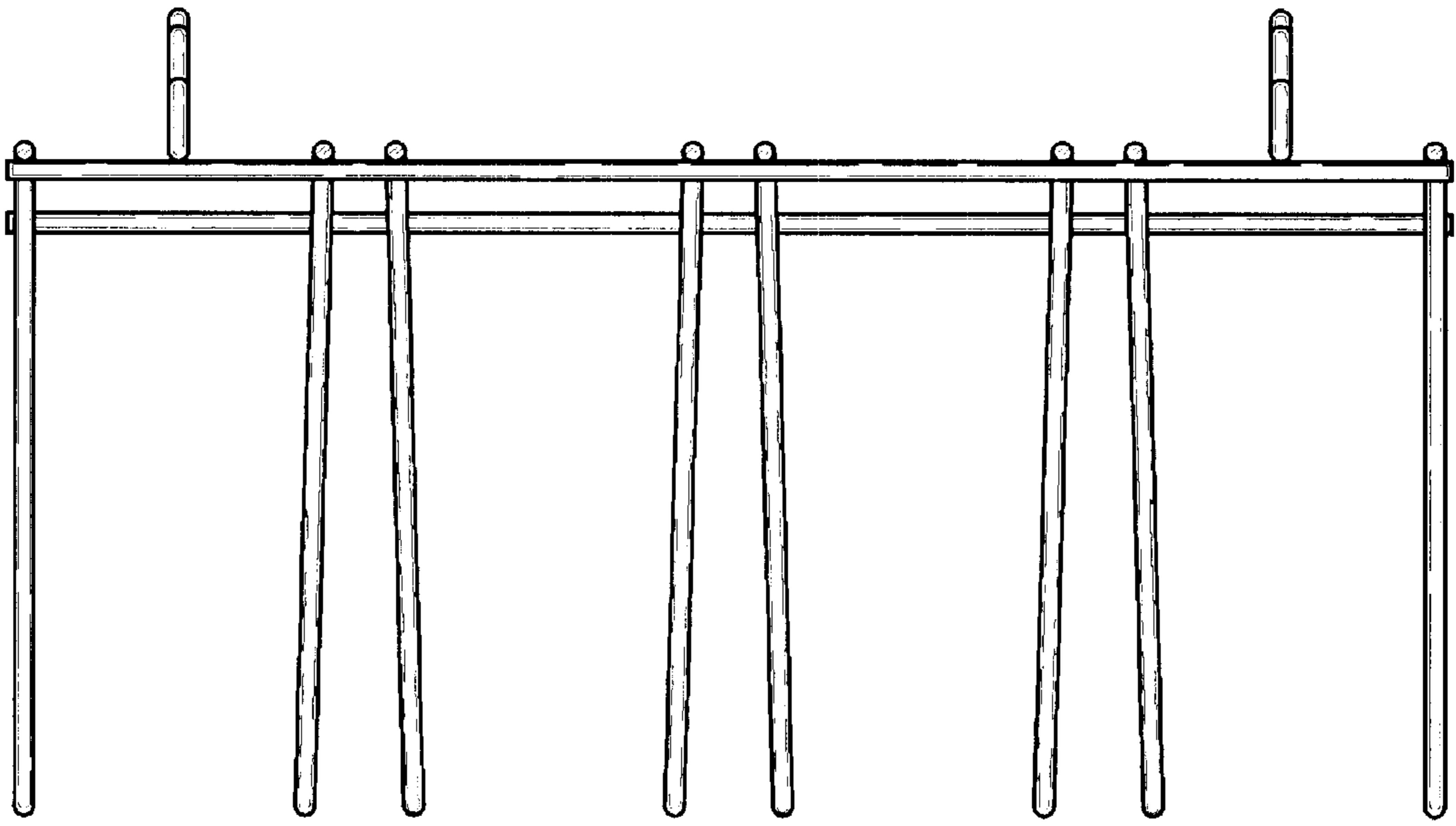


FIG. 5

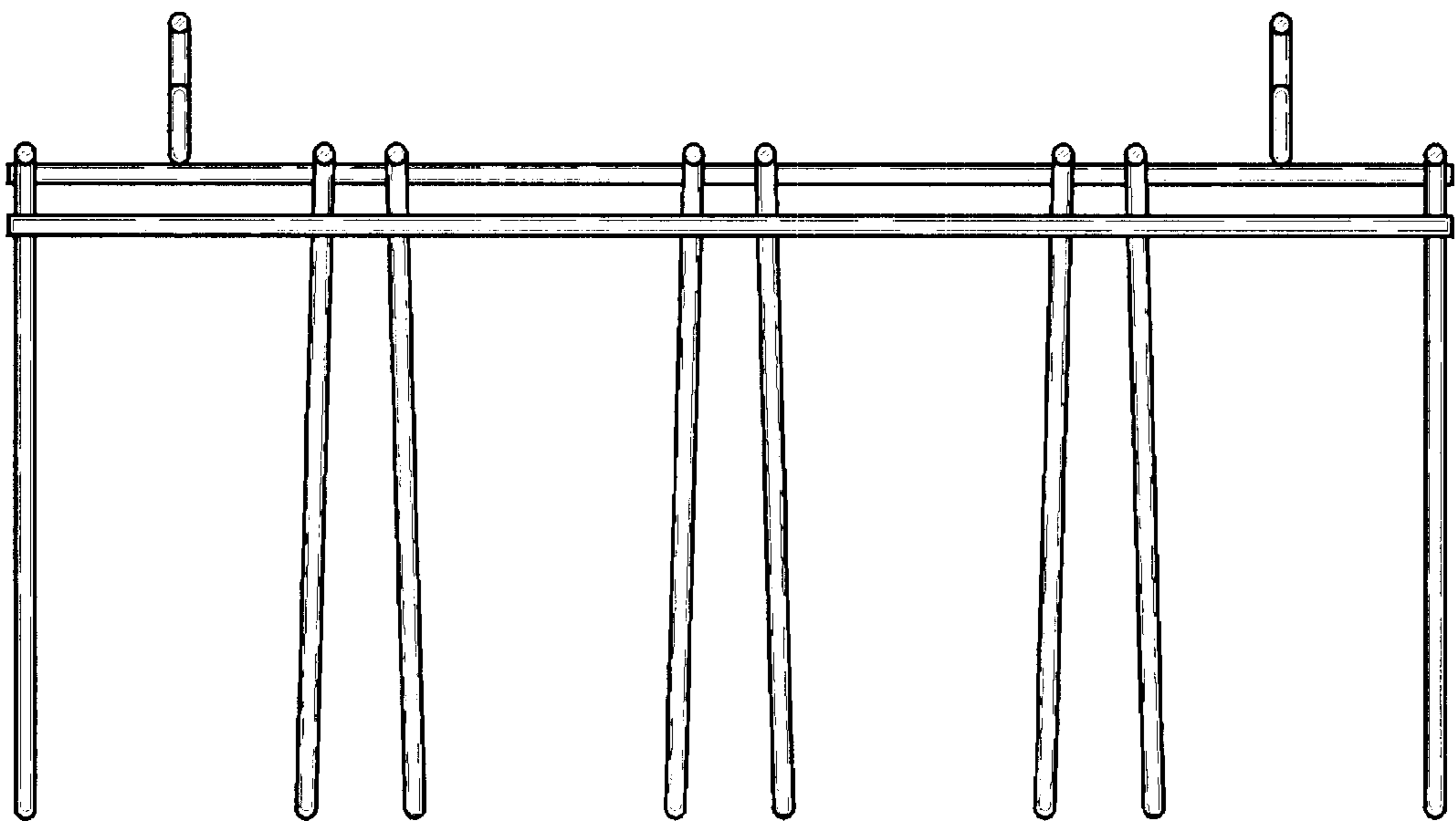


FIG. 6