



US00D466745S

(12) **United States Design Patent**  
**Chou**

(10) **Patent No.:** **US D466,745 S**

(45) **Date of Patent:** **\*\* Dec. 10, 2002**

(54) **TOWEL BAR POST**

(76) **Inventor:** **Horng Yih Chou**, 26 Fl., 1 Street,  
Guanghua 2<sup>nd</sup> Rd., Chungshingshin  
Tsuen, Nantou City, Nantou (TW)

(\*\*) **Term:** **14 Years**

(21) **Appl. No.:** **29/150,344**

(22) **Filed:** **Nov. 20, 2001**

(51) **LOC (7) Cl.** ..... **06-04**

(52) **U.S. Cl.** ..... **D6/550**

(58) **Field of Search** ..... D6/546-50, 518,  
D6/522-24; D8/300, 307-308, 315-20;  
108/29; 211/13.1, 16, 60.1, 86.01, 87.01,  
88.04, 105.1-105.2, 106, 123, 181.1; 242/570,  
588-90, 597-98; 248/49, 175, 200-201,  
205.1, 214, 251-54, 261, 302, 304, 309.1,  
314-17

(56) **References Cited**

**U.S. PATENT DOCUMENTS**

2,542,941	A	*	2/1951	Post	.....	248/205.1
D259,753	S	*	7/1981	Fleischmann et al.	.....	D6/549
D318,590	S	*	7/1991	McKeone	.....	D6/524
D328,215	S	*	7/1992	McKeone	.....	D6/524
D377,570	S		1/1997	Sharpe	.....	D6/524
D391,105	S		2/1998	Sharpe	.....	D6/546
D392,138	S		3/1998	Wu	.....	D6/549
D392,139	S		3/1998	Wu	.....	D6/549
D393,166	S		4/1998	Sharpe	.....	D6/524

D394,971	S		6/1998	Moore	.....	D6/550
D406,484	S		3/1999	Wu	.....	D6/566
D409,029	S		5/1999	Harris	.....	D6/524
D416,785	S		11/1999	Ming-Hsiao	.....	D8/363
D417,576	S		12/1999	Ming-Hsiao	.....	D6/549
D417,995	S	*	12/1999	Chen	.....	D6/550
D427,471	S	*	7/2000	Chen	.....	D6/549
D442,407	S	*	5/2001	Solowiej	.....	D6/524
D449,949	S	*	11/2001	Hsieh	.....	D6/524
D452,400	S	*	12/2001	Chen	.....	D6/524
D454,457	S	*	3/2002	Ou-Young	.....	D6/546
D455,588	S	*	4/2002	Ou-Young	.....	D6/523

\* cited by examiner

*Primary Examiner*—Brian N. Vinson

(74) *Attorney, Agent, or Firm*—Brinks Hofer Gilson & Lione

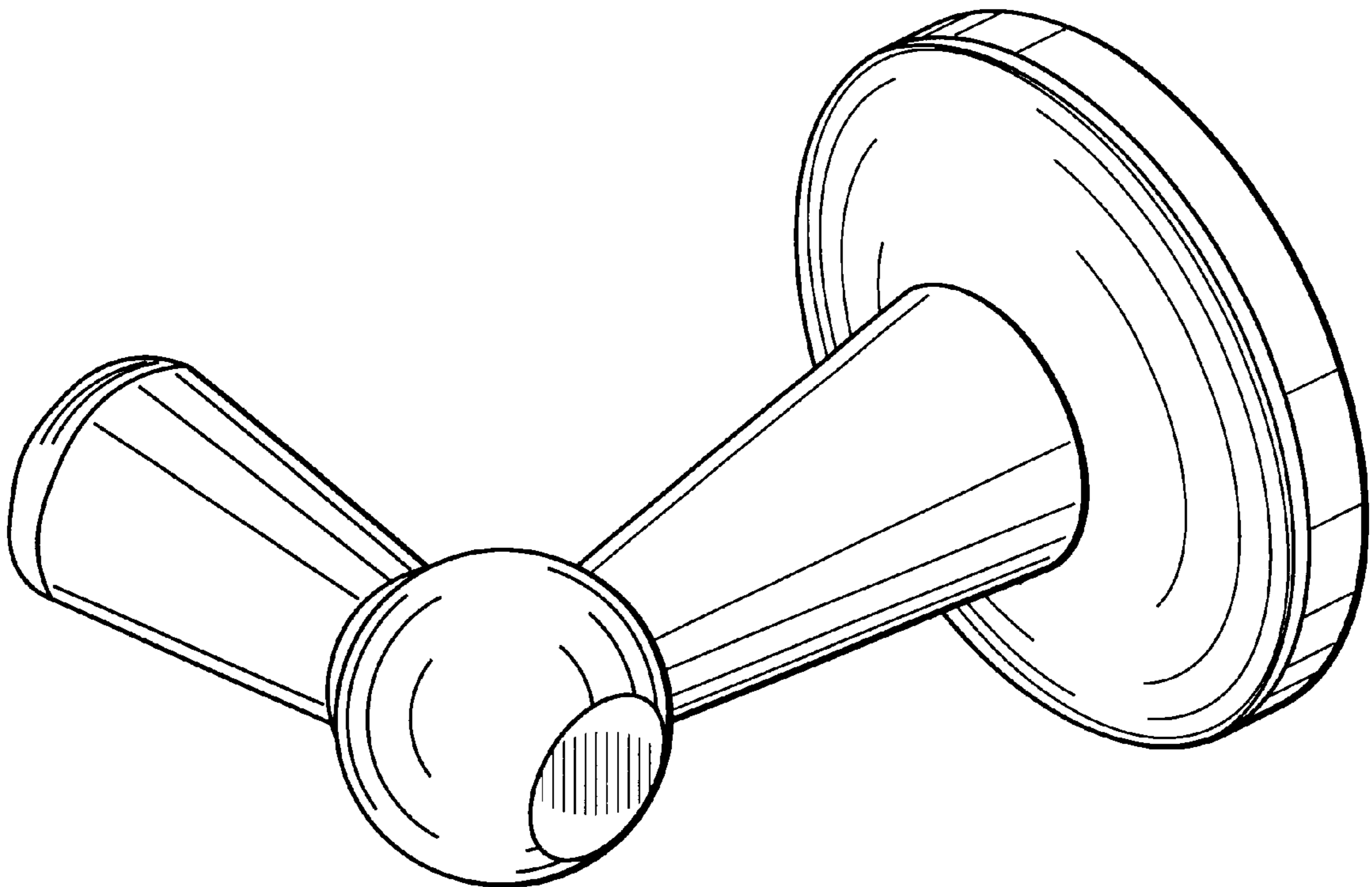
(57) **CLAIM**

The ornamental design for a towel bar post, as shown and described.

**DESCRIPTION**

FIG. 1 is a perspective view showing my new design.  
FIG. 2 is a top elevational view thereof.  
FIG. 3 is a bottom elevational view thereof.  
FIG. 4 is a right elevational view thereof.  
FIG. 5 is a left elevational view thereof.  
FIG. 6 is a front elevational view thereof; and,  
FIG. 7 is a rear elevational view thereof.

**1 Claim, 4 Drawing Sheets**



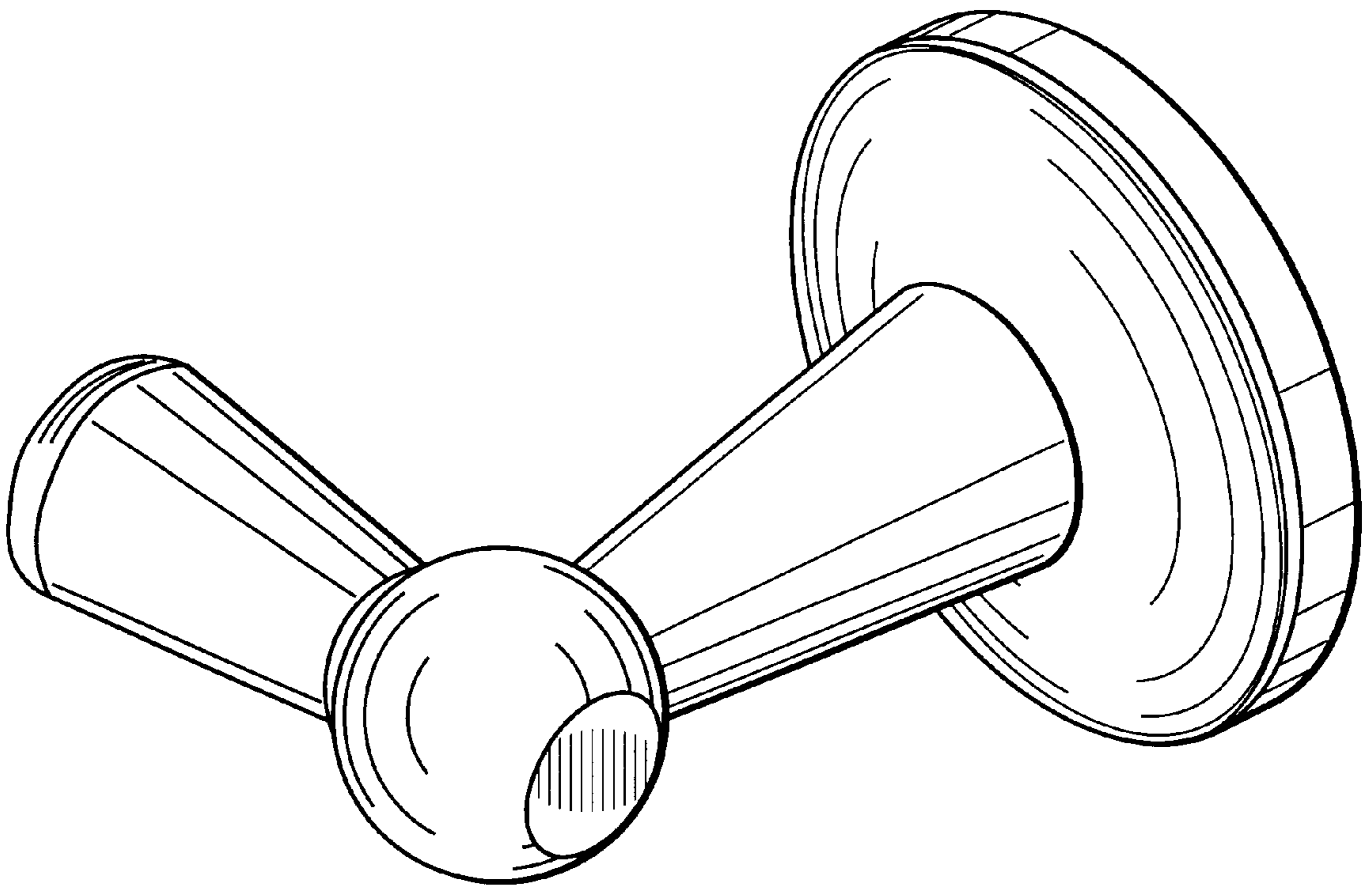


FIG. 1

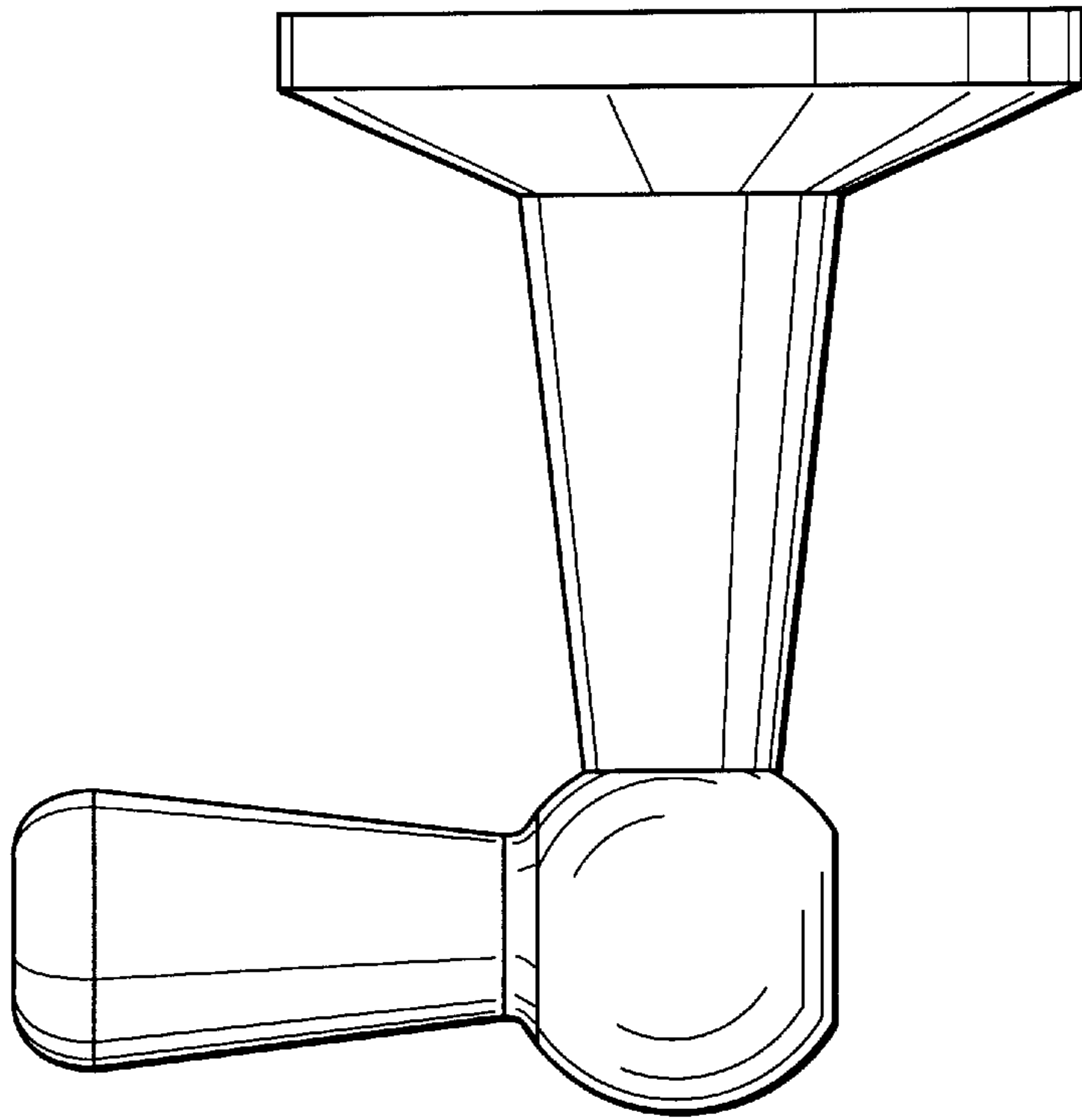


FIG. 2

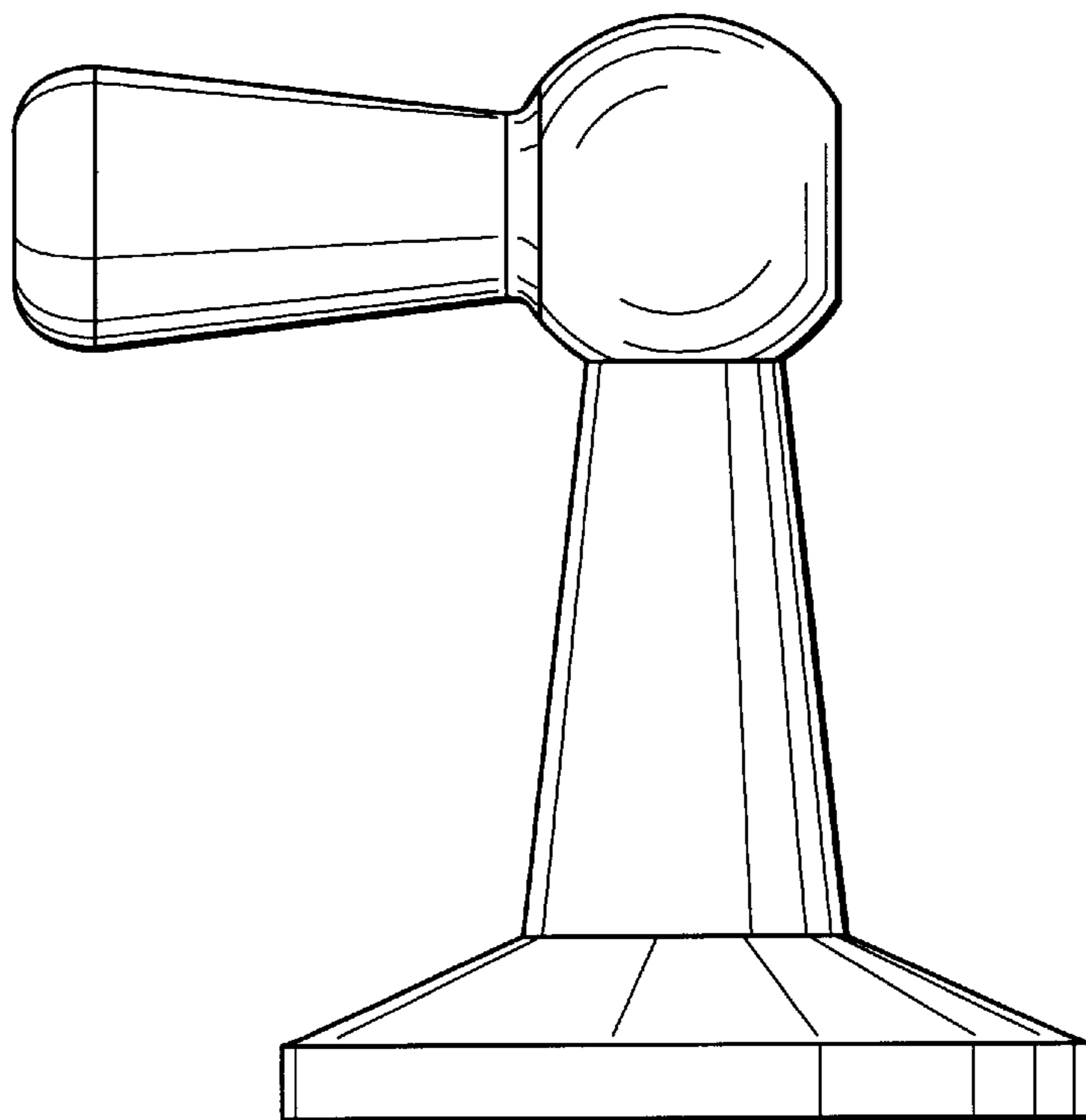


FIG. 3

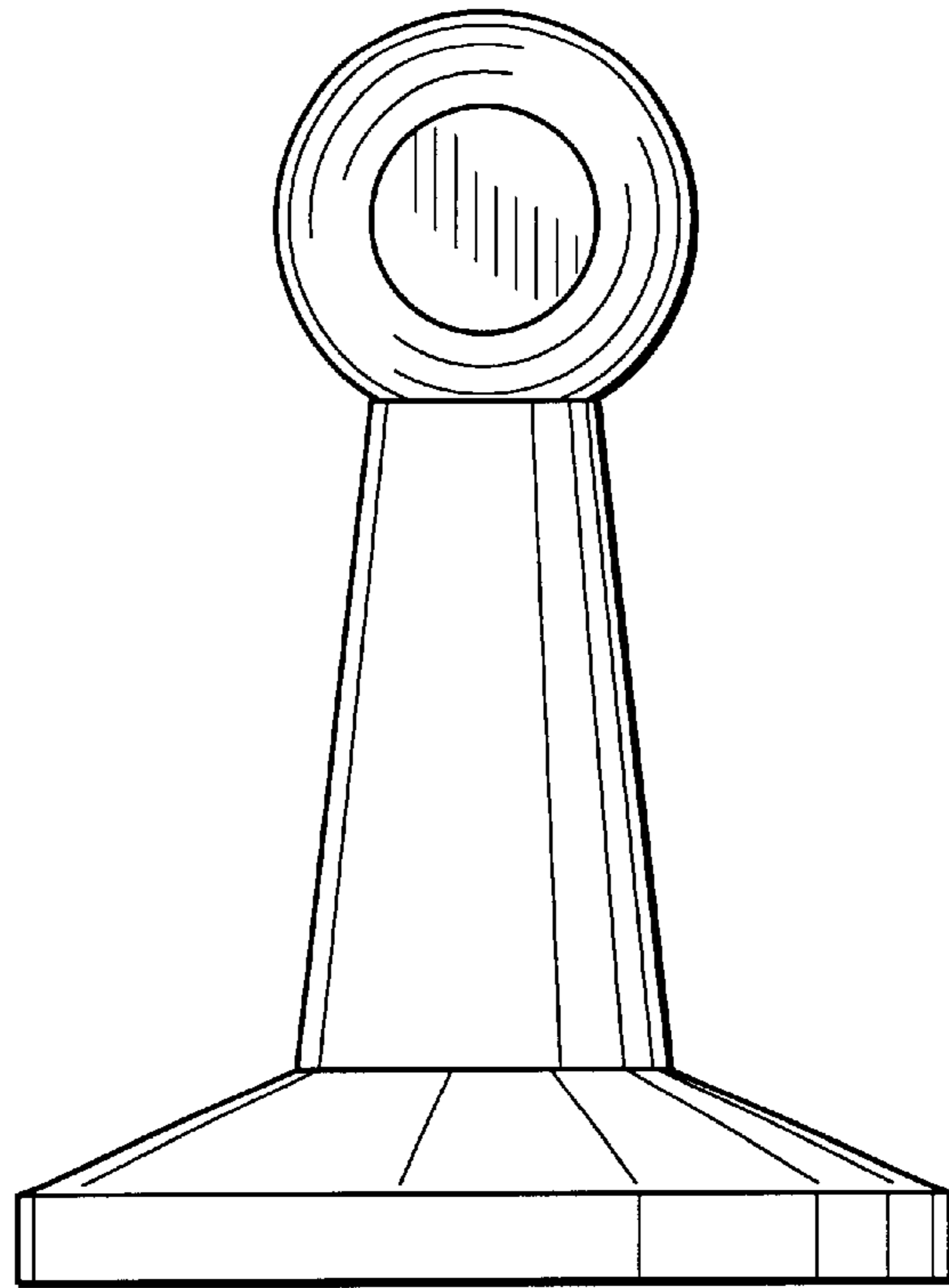


FIG. 4

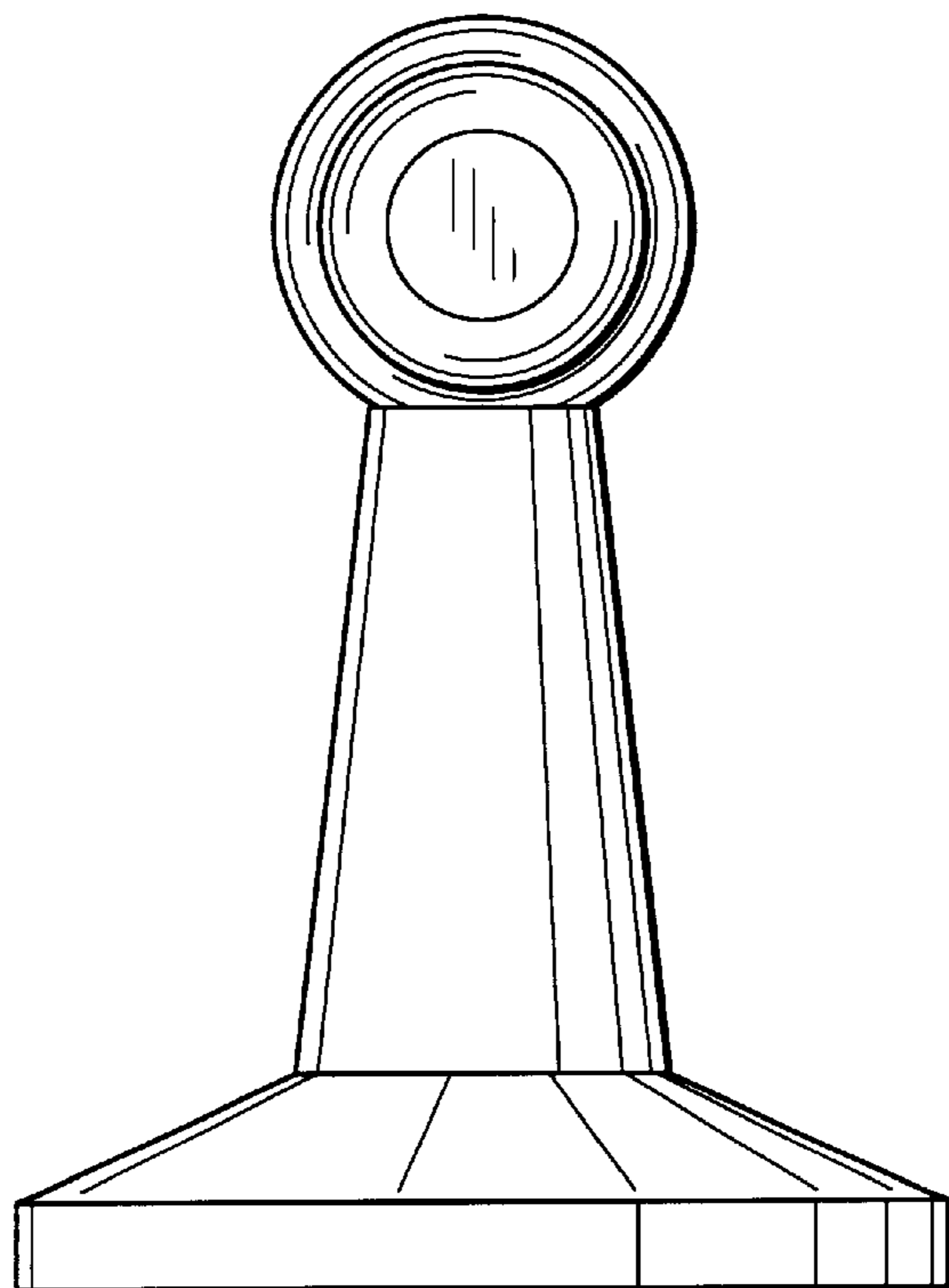


FIG. 5

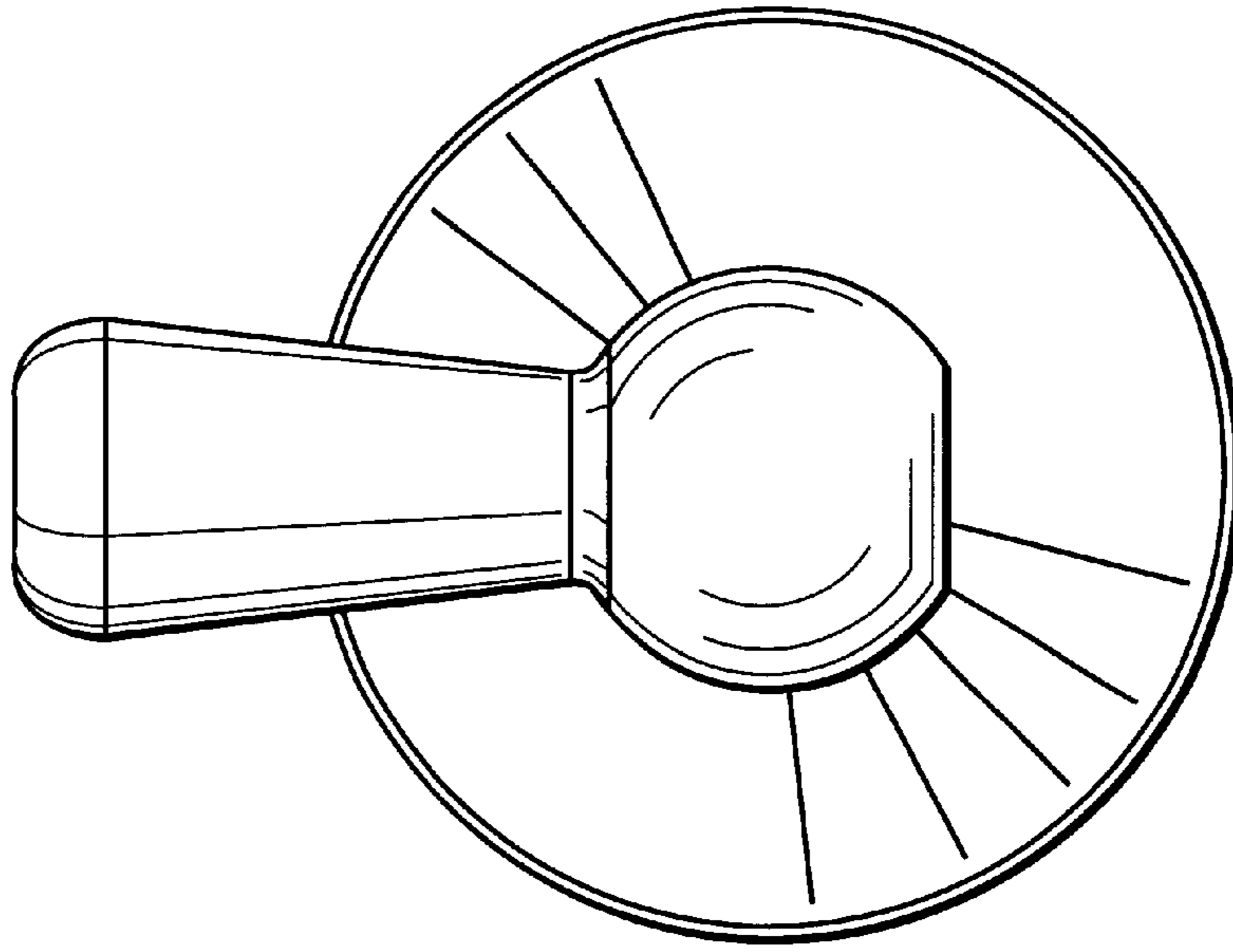


FIG. 6

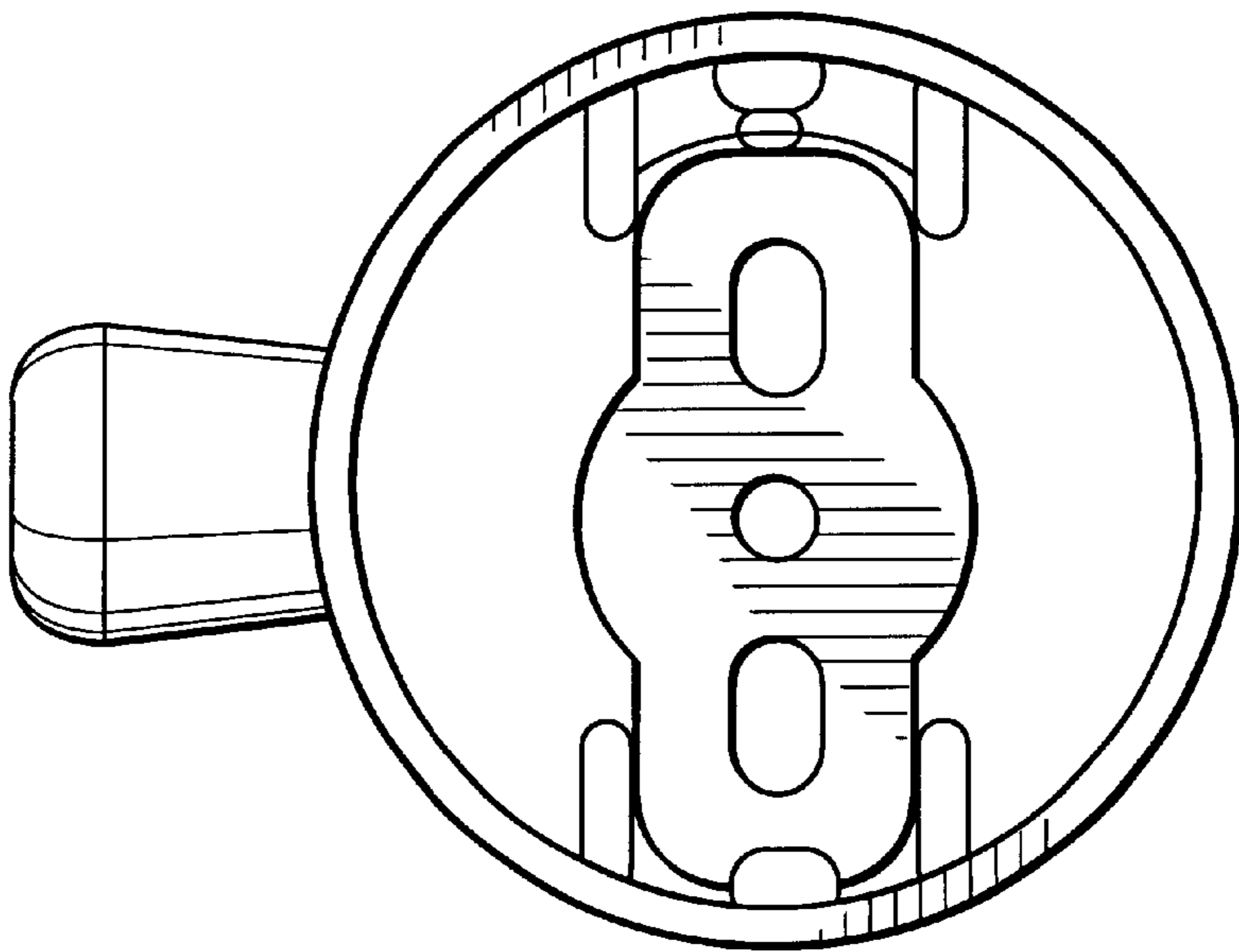


FIG. 7