



US00D466742S

(12) **United States Design Patent**
Moore

(10) **Patent No.:** **US D466,742 S**

(45) **Date of Patent:** **** Dec. 10, 2002**

(54) **TOWEL BAR**

(75) Inventor: **Glenn David Moore**, Pompton Lakes,
NJ (US)

(73) Assignee: **Bath Unlimited, Inc.**, Passaic, NJ (US)

(**) Term: **14 Years**

(21) Appl. No.: **29/147,216**

(22) Filed: **Aug. 23, 2001**

(51) **LOC (7) Cl.** **06-04**

(52) **U.S. Cl.** **D6/549**

(58) **Field of Search** D6/546-50, 518,
D6/522-24; D8/300, 307-308, 315-20;
108/29; 211/13.1, 16, 60.1, 86.01, 87.01,
88.04, 105.1-105.2, 106, 123, 181.1; 242/570,
588-90, 597-98; 248/49, 175, 200-201,
205.1, 214, 251-54, 261, 302, 304, 309.1,
314-17

(56) **References Cited**

U.S. PATENT DOCUMENTS

2,542,941 A * 2/1951 Post 248/205.1

D385,735 S * 11/1997 Hundley et al. D6/524
D425,348 S * 5/2000 Chen D6/524
D452,100 S * 5/2000 Ross D6/549

* cited by examiner

Primary Examiner—Brian N. Vinson

(74) *Attorney, Agent, or Firm*—Edgar A. Zarins; Lloyd D.
Doigan

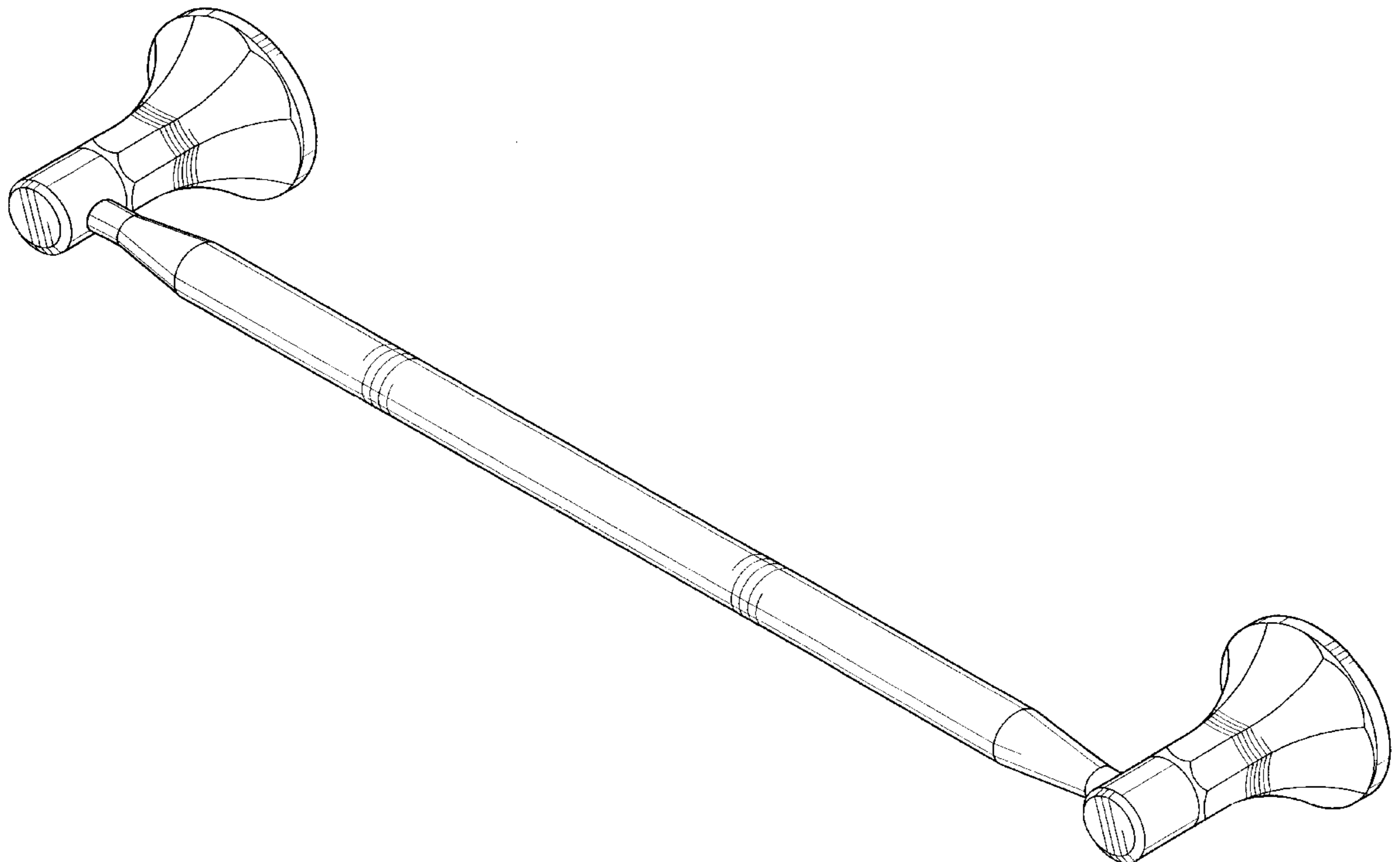
(57) **CLAIM**

The ornamental design for a towel bar, as shown and
described.

DESCRIPTION

FIG. 1 is a perspective view of a towel bar showing my new
design;
FIG. 2 is a front elevational view thereof;
FIG. 3 is a rear elevational view thereof;
FIG. 4 is a top plan view thereof;
FIG. 5 is bottom plan view thereof;
FIG. 6 is a right side view thereof; and,
FIG. 7 is a left side view thereof.

1 Claim, 4 Drawing Sheets



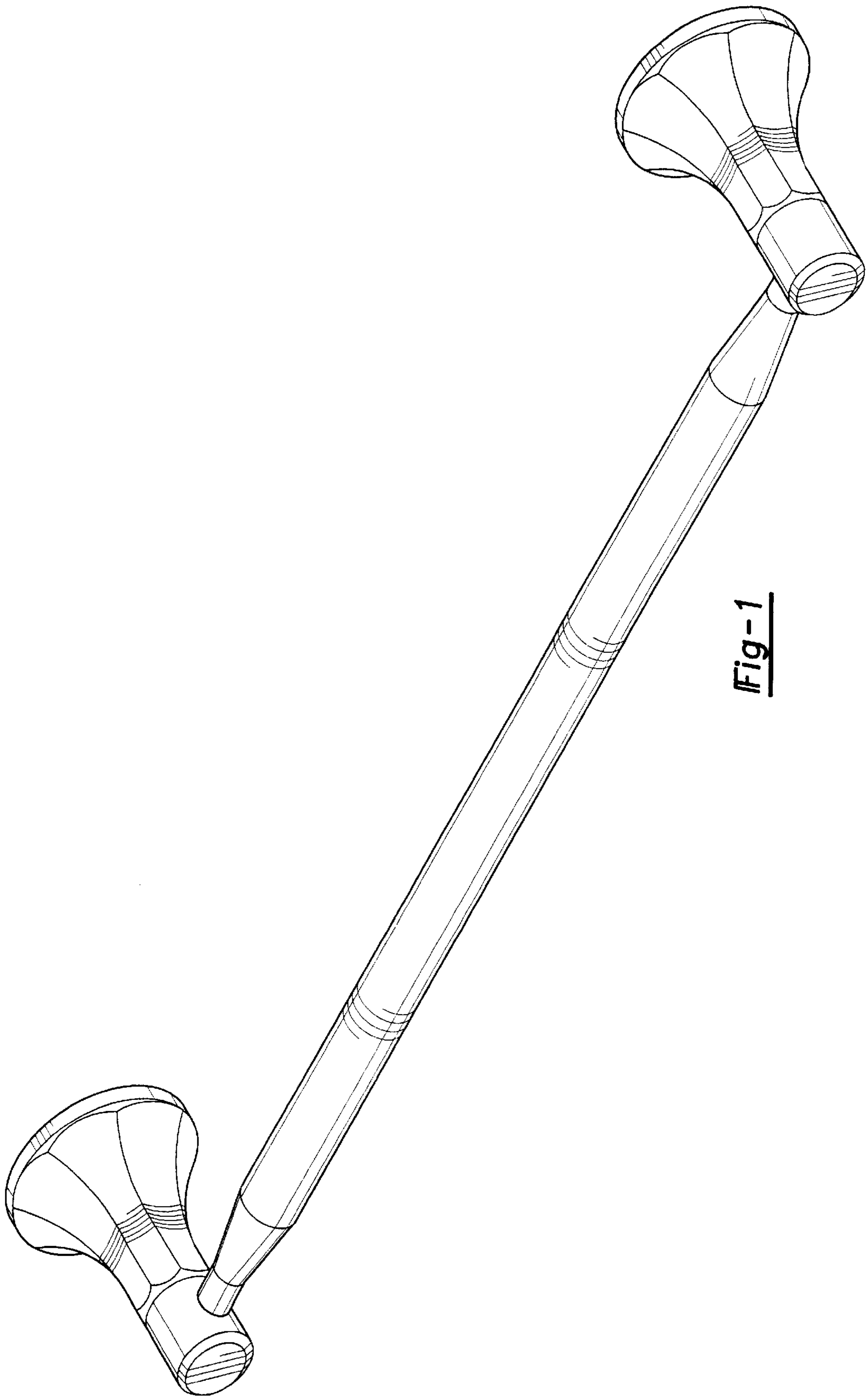


Fig-1

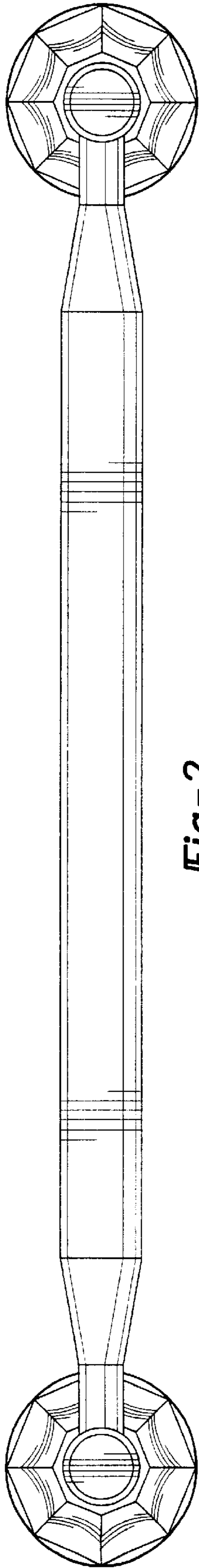


Fig-2

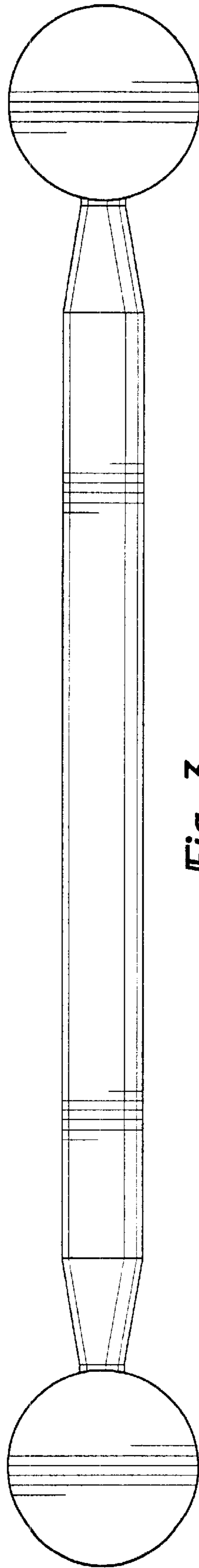


Fig-3

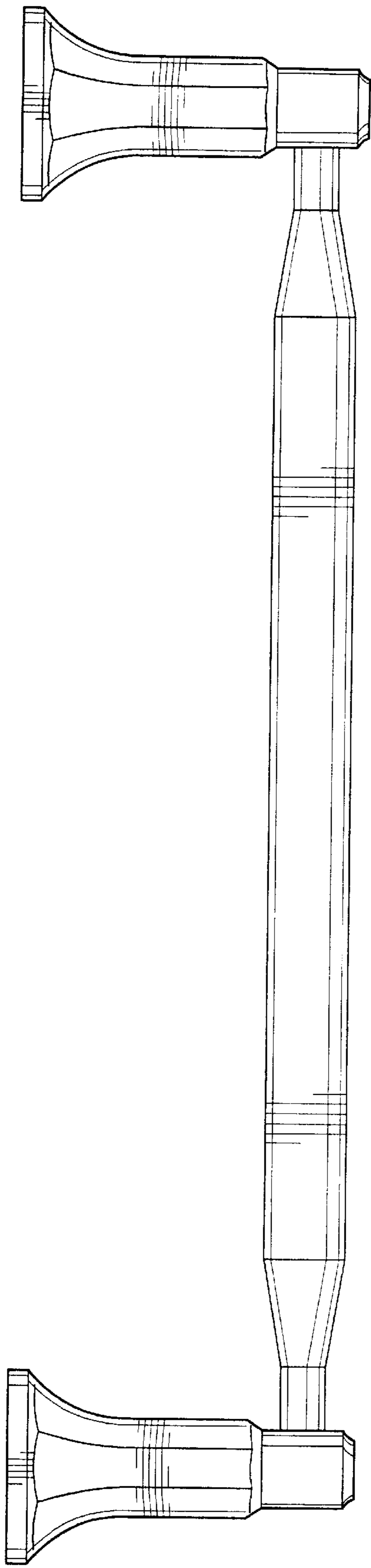


Fig-4

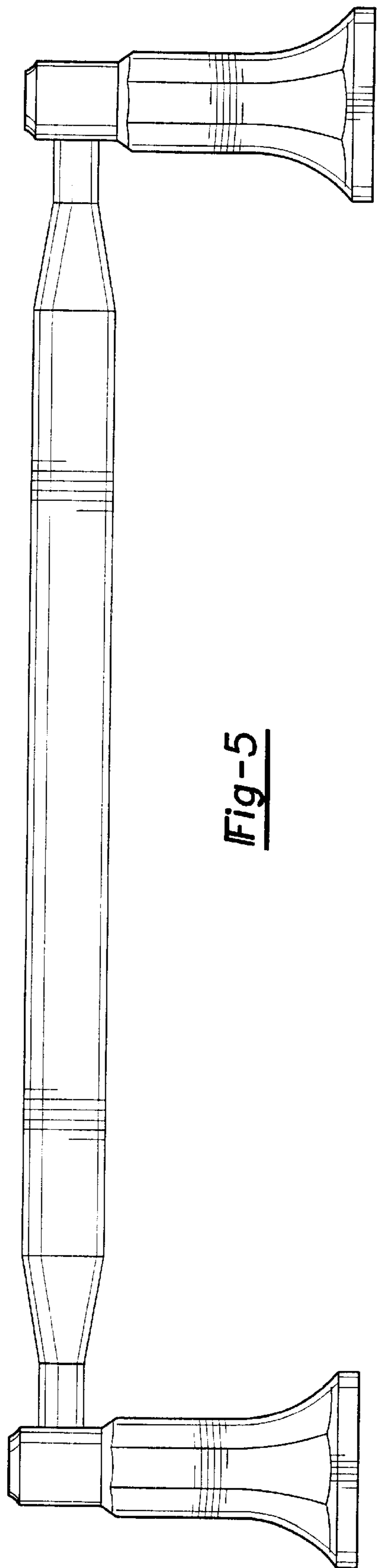


Fig-5

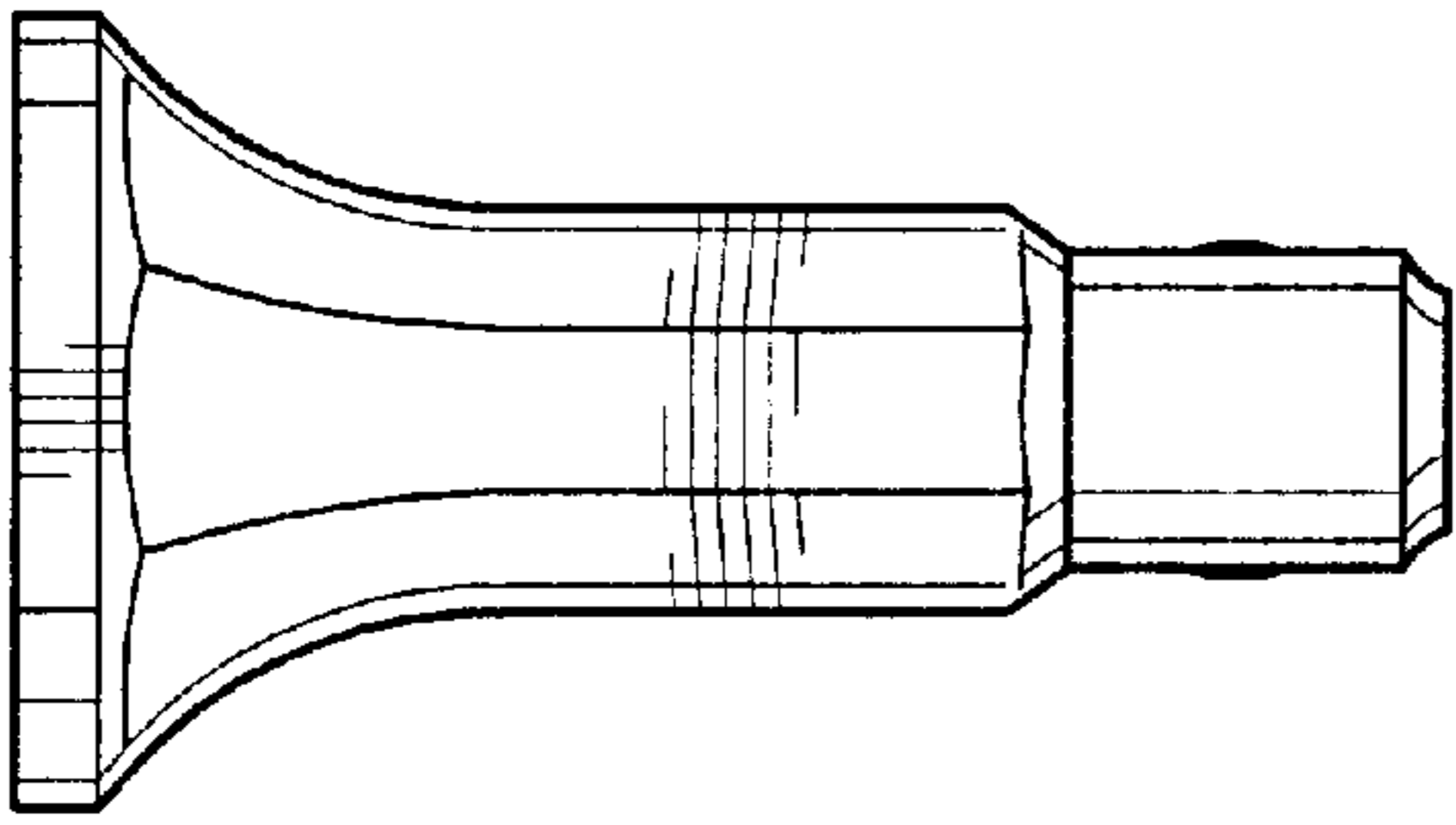


Fig-6

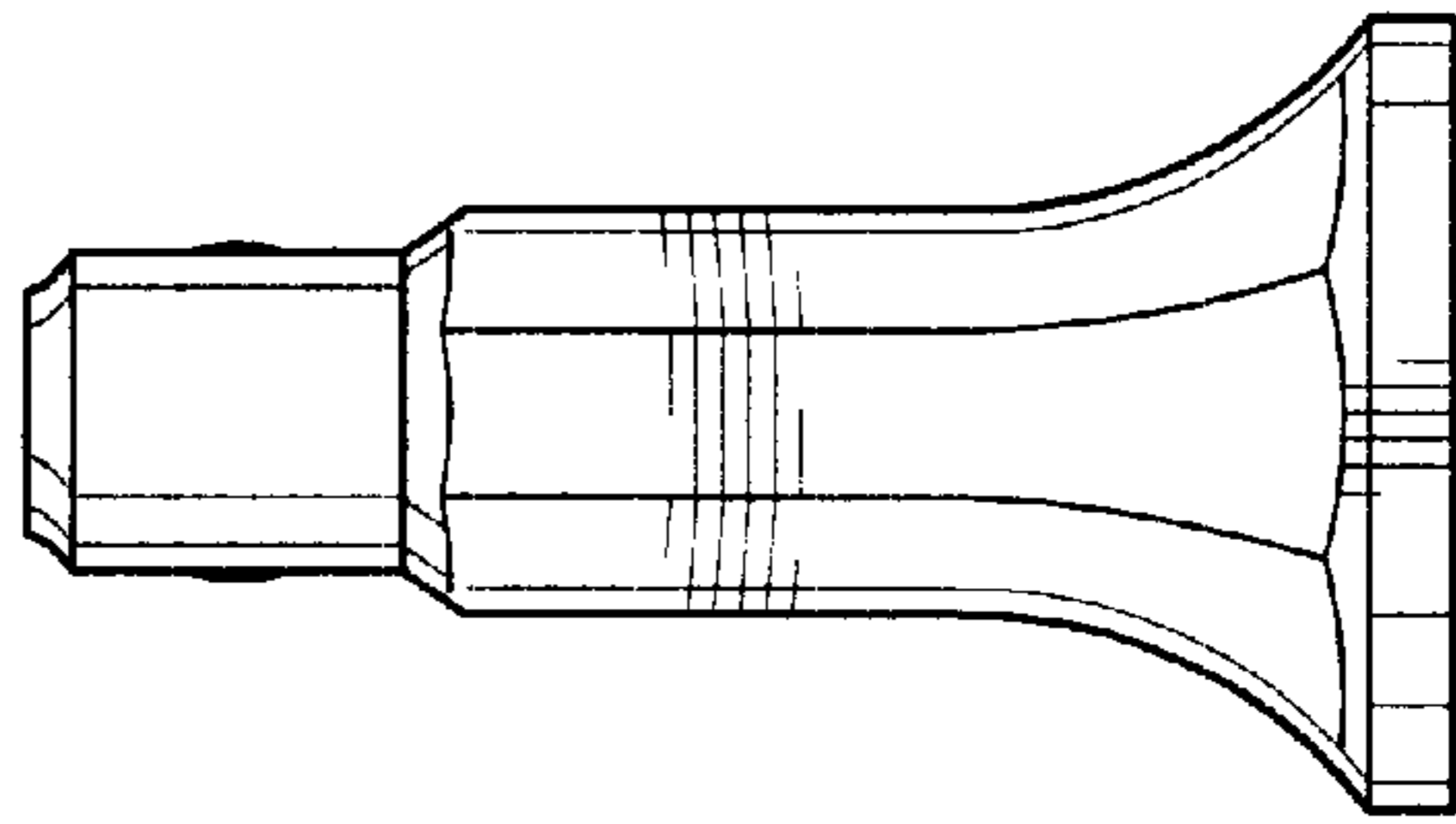


Fig-7