



US00D466741S

(12) **United States Design Patent**  
**Moore**

(10) **Patent No.:** **US D466,741 S**

(45) **Date of Patent:** **\*\* Dec. 10, 2002**

(54) **TOWEL BAR**

(75) Inventor: **Glenn David Moore**, Pompton Lakes,  
NJ (US)

(73) Assignee: **Bath Unlimited, Inc.**, Passaic, NJ (US)

(\*\*) Term: **14 Years**

(21) Appl. No.: **29/147,145**

(22) Filed: **Aug. 23, 2001**

(51) **LOC (7) Cl.** ..... **06-04**

(52) **U.S. Cl.** ..... **D6/549**

(58) **Field of Search** ..... D6/546-50, 518,  
D6/522-24; D8/300, 307-308, 315-20;  
108/29; 211/13.1, 16, 60.1, 86.01, 87.01,  
88.04, 105.1-105.2, 106, 123, 181.1; 242/570,  
588-90, 597-98; 248/49, 175, 200-201,  
205.1, 214, 251-54, 261, 302, 304, 309.1,  
314-17

(56) **References Cited**

**U.S. PATENT DOCUMENTS**

2,542,941 A \* 2/1951 Post ..... 248/205.1

D385,735 S \* 11/1997 Hundley et al. .... D6/524  
D392,139 S \* 3/1998 Wu ..... D6/549  
D425,348 S \* 5/2000 Chen ..... D6/524  
D452,100 S \* 12/2001 Gilbert ..... D6/549  
D454,744 S \* 2/2002 Ou-Young ..... D6/550

\* cited by examiner

*Primary Examiner*—Brian N. Vinson

(74) *Attorney, Agent, or Firm*—Edgar A. Zarins; Lloyd D. Doigan

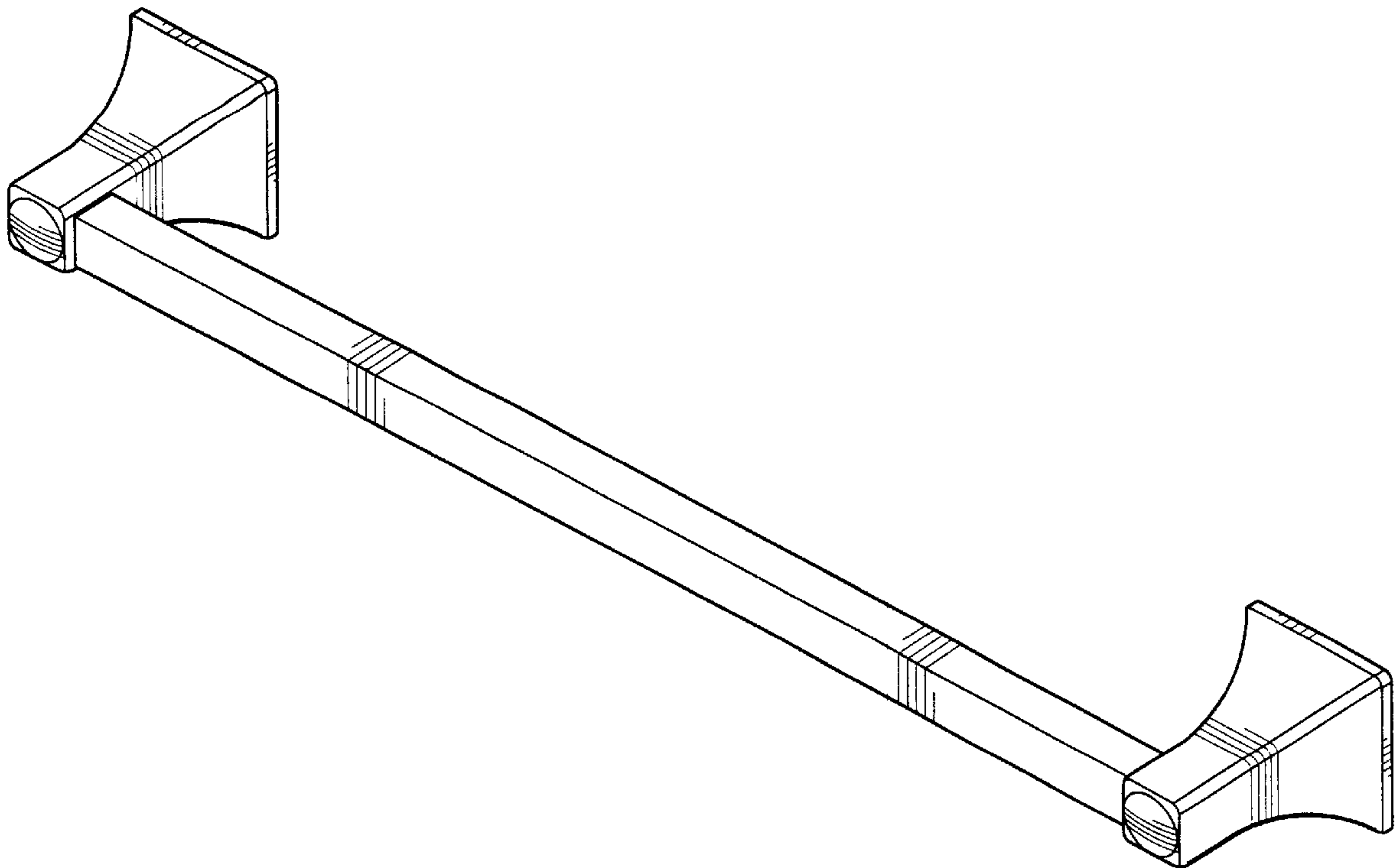
(57) **CLAIM**

The ornamental design for a towel bar, as shown and described.

**DESCRIPTION**

FIG. 1 is a perspective view of a towel bar showing my new design;  
FIG. 2 is a front elevational view thereof;  
FIG. 3 is a rear elevational view thereof;  
FIG. 4 is a top plan view thereof;  
FIG. 5 is a bottom plan view thereof;  
FIG. 6 is a right side view thereof; and,  
FIG. 7 is a left side view thereof.

**1 Claim, 2 Drawing Sheets**



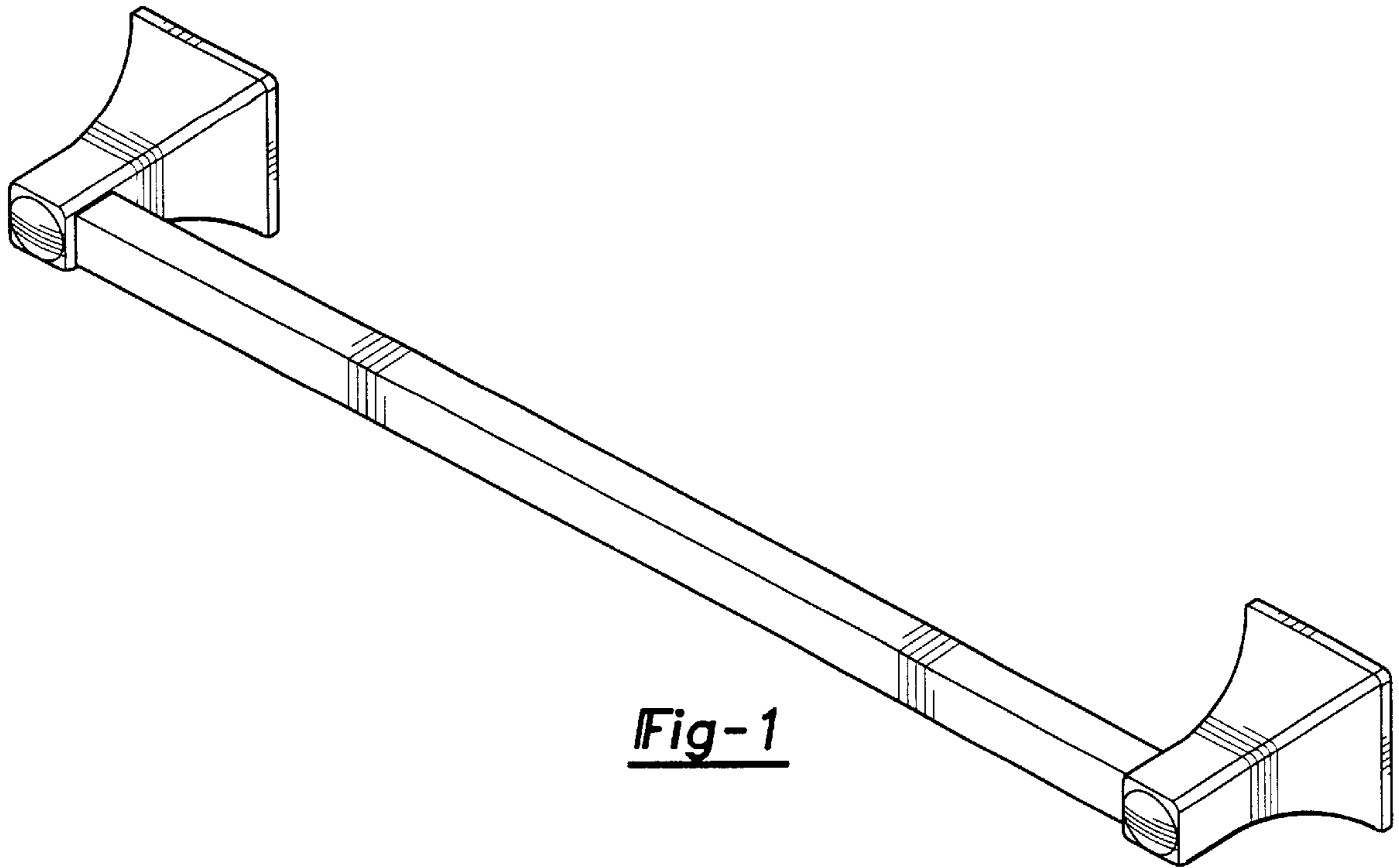


Fig-1

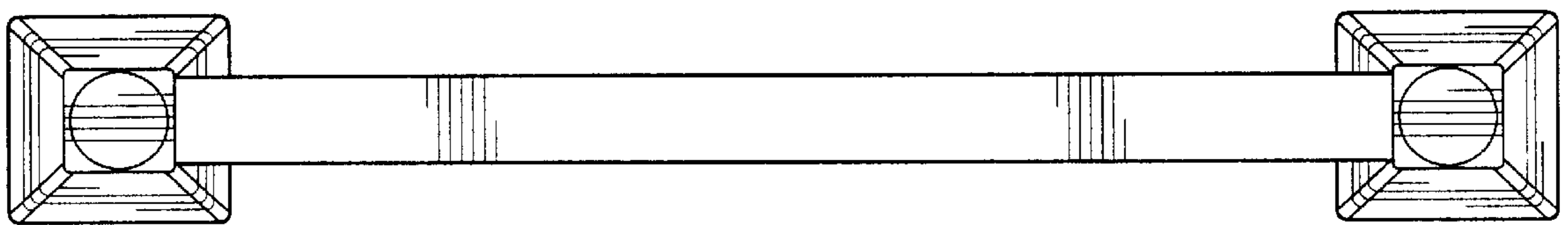


Fig-2

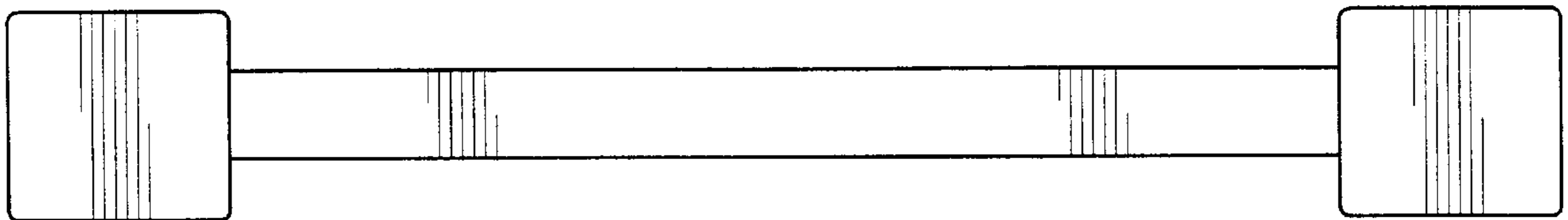


Fig-3

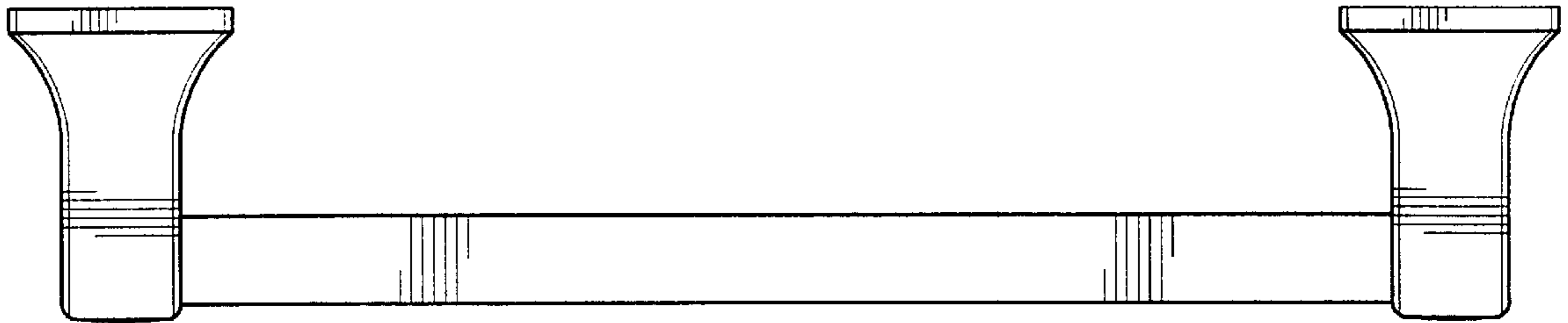


Fig-4

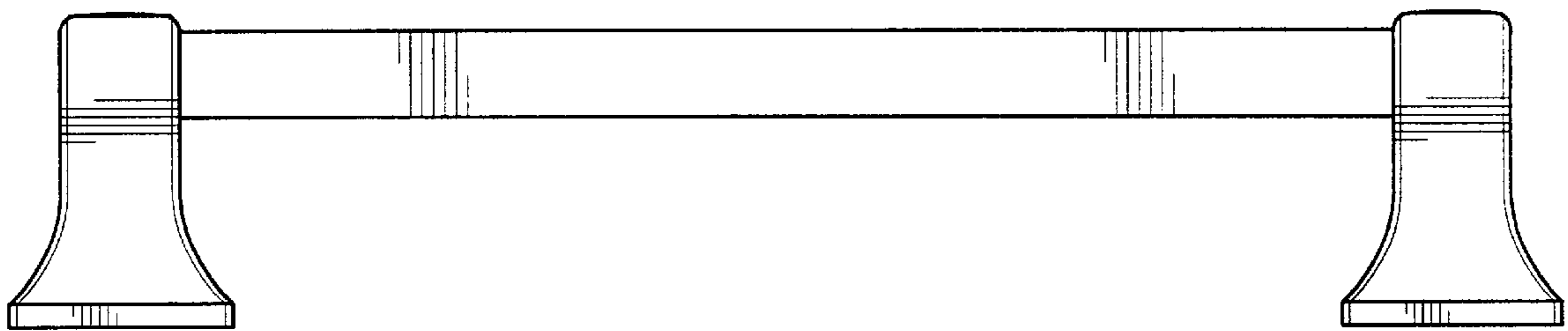


Fig-5

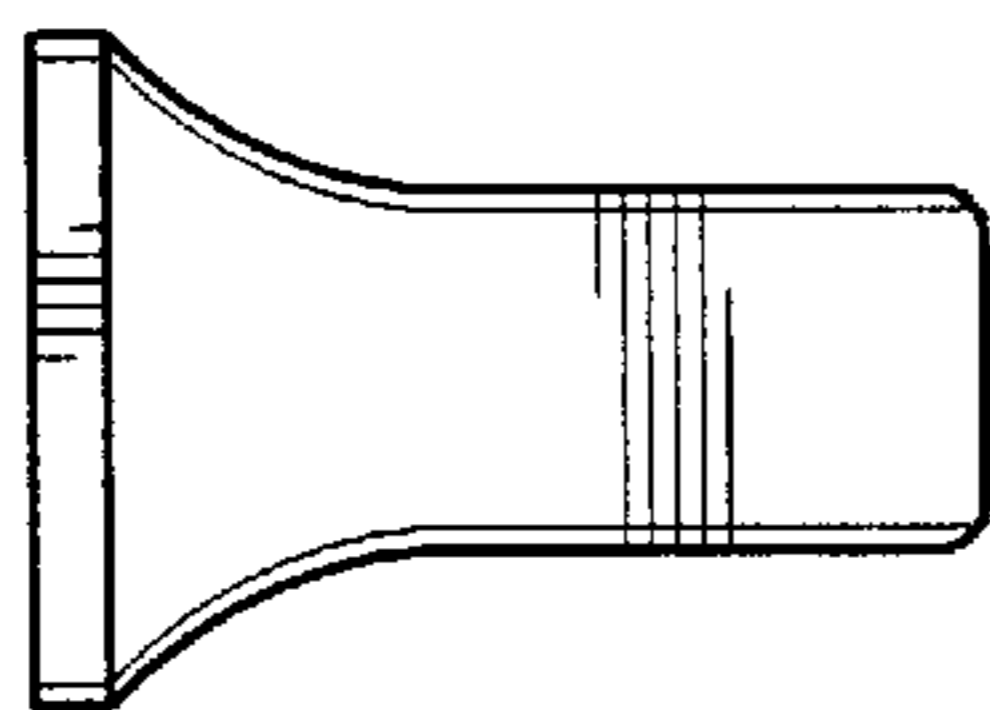


Fig-6

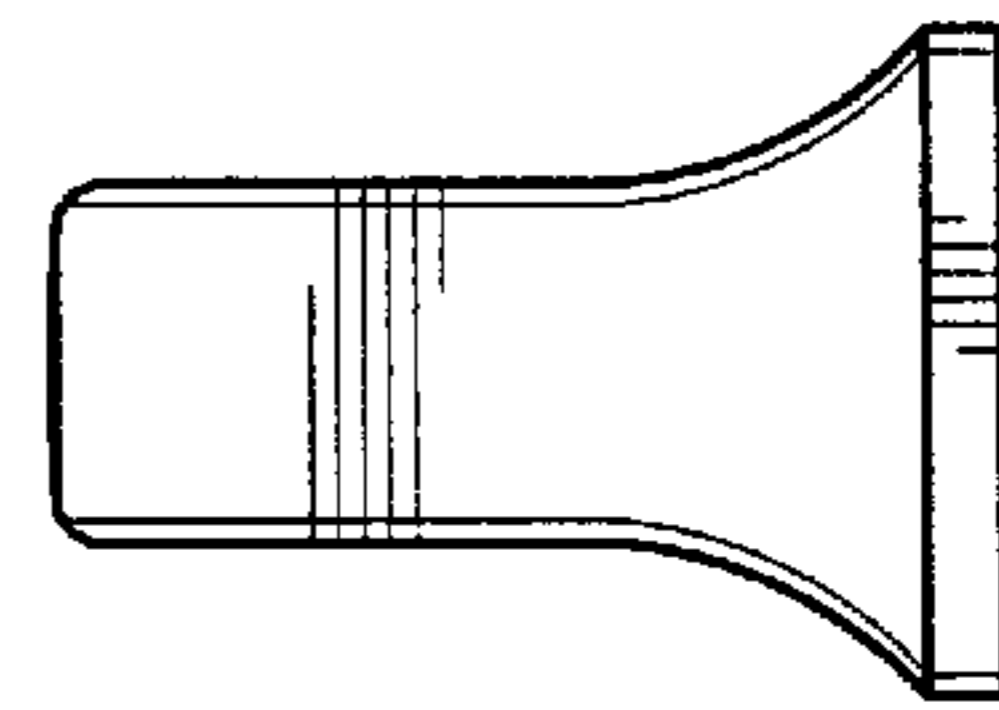


Fig-7