



US00D466739S

(12) **United States Design Patent**
Yen

(10) **Patent No.:** **US D466,739 S**

(45) **Date of Patent:** **** Dec. 10, 2002**

(54) **BATH ACCESSORY POST**

(76) **Inventor:** **Kuo-Chi Yen**, No. 310, Wenshinnan 6th
Rd., Nantuen Chiu, Taichung (TW)

(**) **Term:** **14 Years**

(21) **Appl. No.:** **29/150,864**

(22) **Filed:** **Nov. 29, 2001**

(51) **LOC (7) Cl.** **23-02**

(52) **U.S. Cl.** **D6/524; D6/550**

(58) **Field of Search** D6/546-50, 518,
D6/522-24; D8/300, 307-8, 315-20; 108/29;
211/13.1, 16, 60.1, 86.01, 87.01, 88.04,
105.1-5.2, 106, 123, 181.1; 242/570, 588-90,
597-98; 248/49, 175, 200-1, 205.1, 214,
251-54, 261, 302, 304, 309.1, 314-17

(56) **References Cited**

U.S. PATENT DOCUMENTS

D259,754 S	*	7/1981	Fleischmann et al.	D6/546
D357,379 S	*	4/1995	Lehn et al.	D6/549
D357,840 S		5/1995	Lehn et al.	D6/549
D394,972 S	*	6/1998	Moore et al.	D6/550
5,875,903 A	*	3/1999	Chen	211/105.1
D407,931 S		4/1999	Sweetman	D6/524

D408,669 S		4/1999	Kuo	D6/550
D417,112 S		11/1999	Chen	D6/546
D417,989 S		12/1999	Moore et al.	D6/524
D417,995 S		12/1999	Chen	D6/550
D422,824 S	*	4/2000	Moore et al.	D6/550
D424,354 S		5/2000	Duggan	D6/550
D449,948 S	*	11/2001	Lai	D6/524
D451,325 S	*	12/2001	Lai	D6/524

* cited by examiner

Primary Examiner—Brian N. Vinson

(74) *Attorney, Agent, or Firm*—Brinks Hofer Gilson & Lione

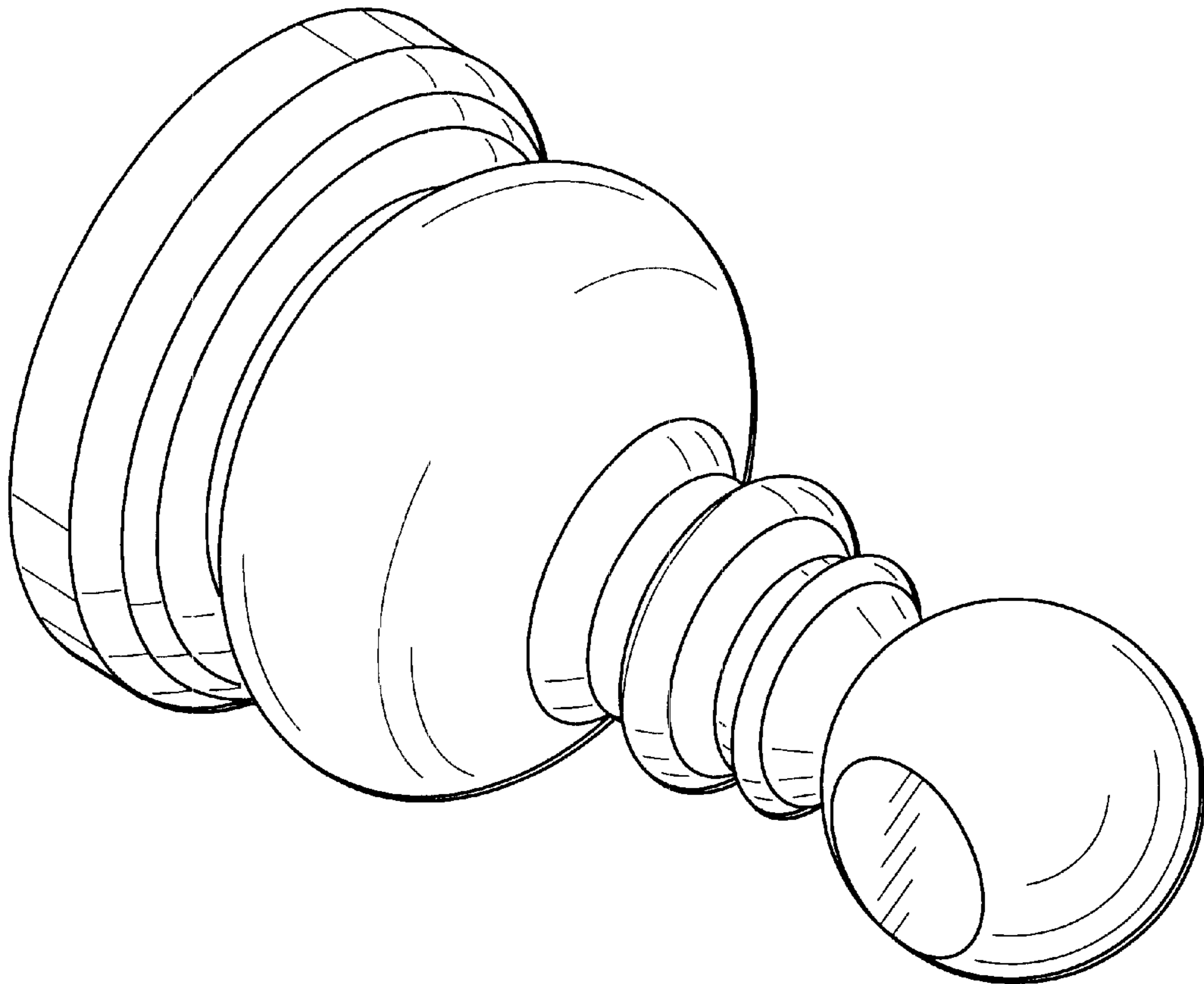
(57) **CLAIM**

The ornamental design for a bath accessory post, as shown and described.

DESCRIPTION

FIG. 1 is a perspective view showing our new design.
FIG. 2 is a top elevational view thereof.
FIG. 3 is a bottom elevational view thereof.
FIG. 4 is a left elevational view thereof.
FIG. 5 is a right elevational view thereof.
FIG. 6 is a front elevational view thereof; and,
FIG. 7 is a rear elevational view thereof.

1 Claim, 4 Drawing Sheets



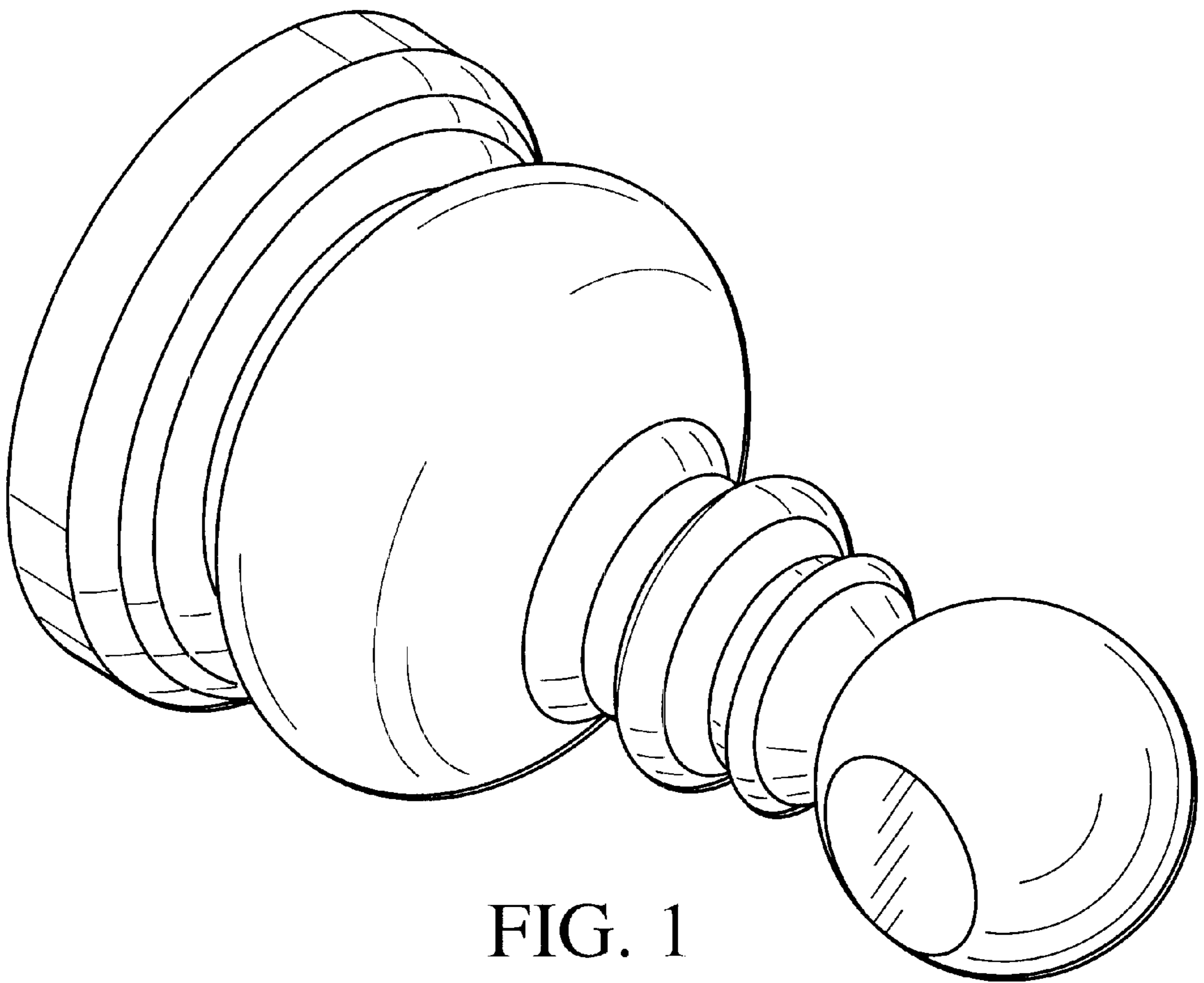


FIG. 1

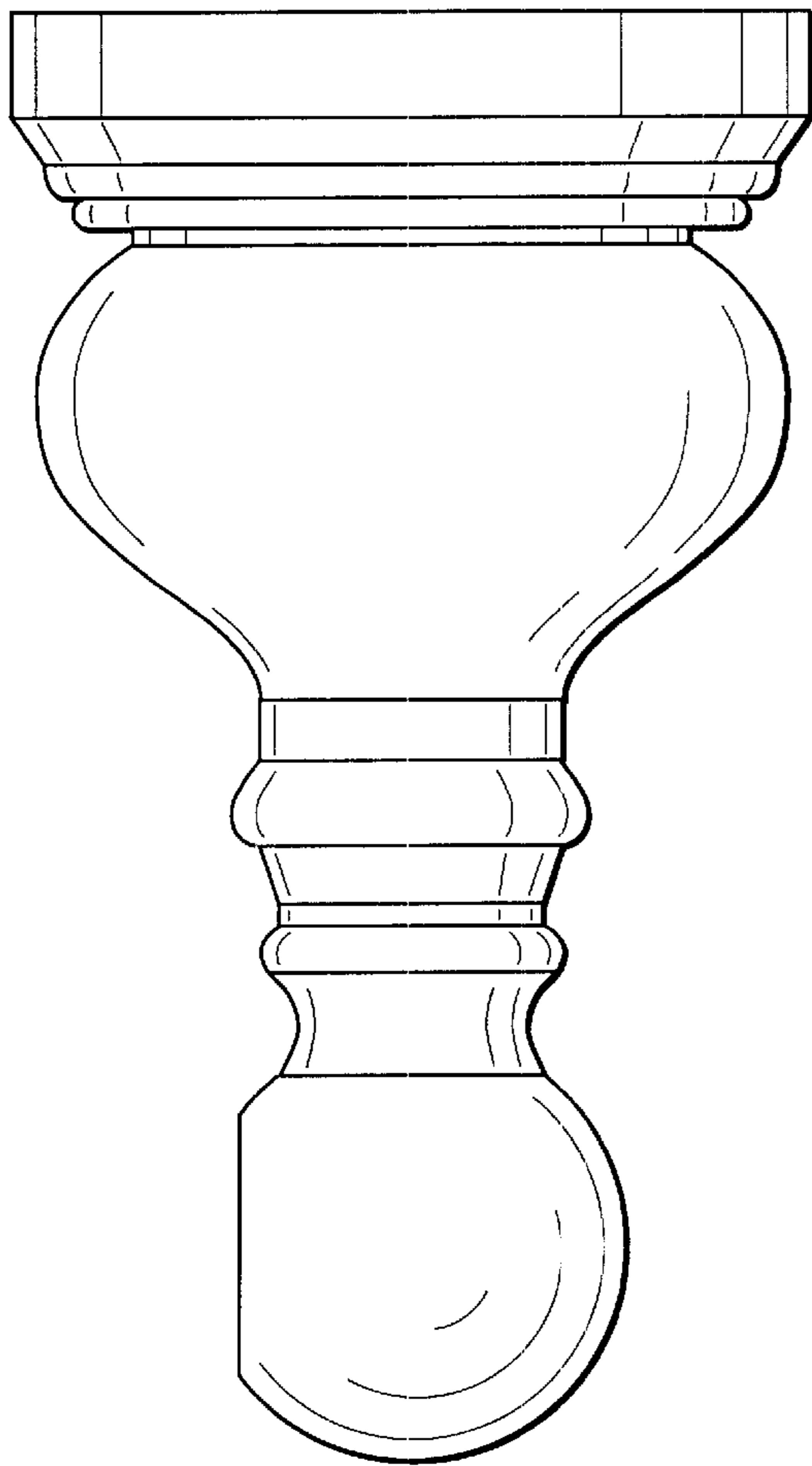


FIG. 2

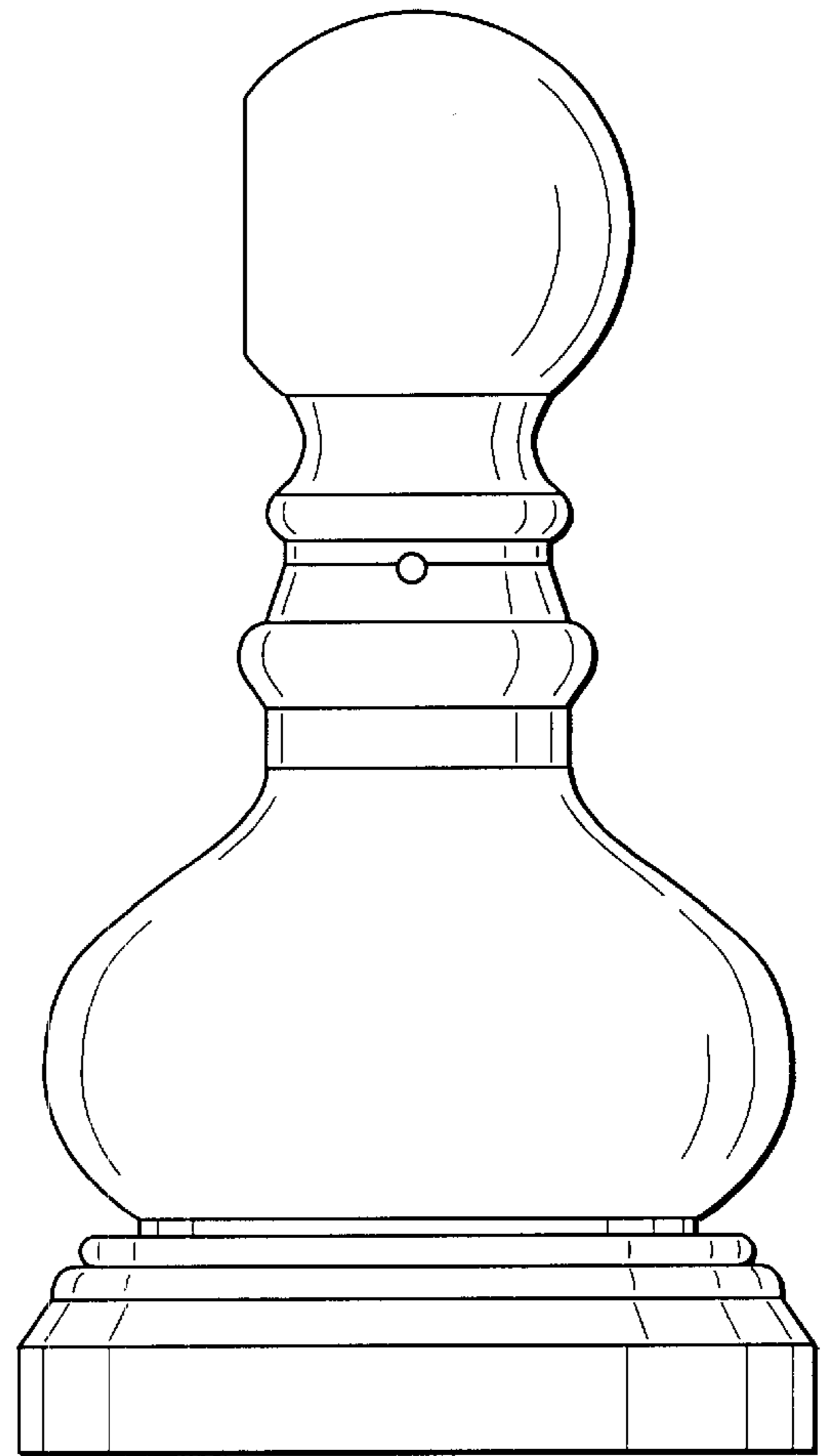


FIG. 3

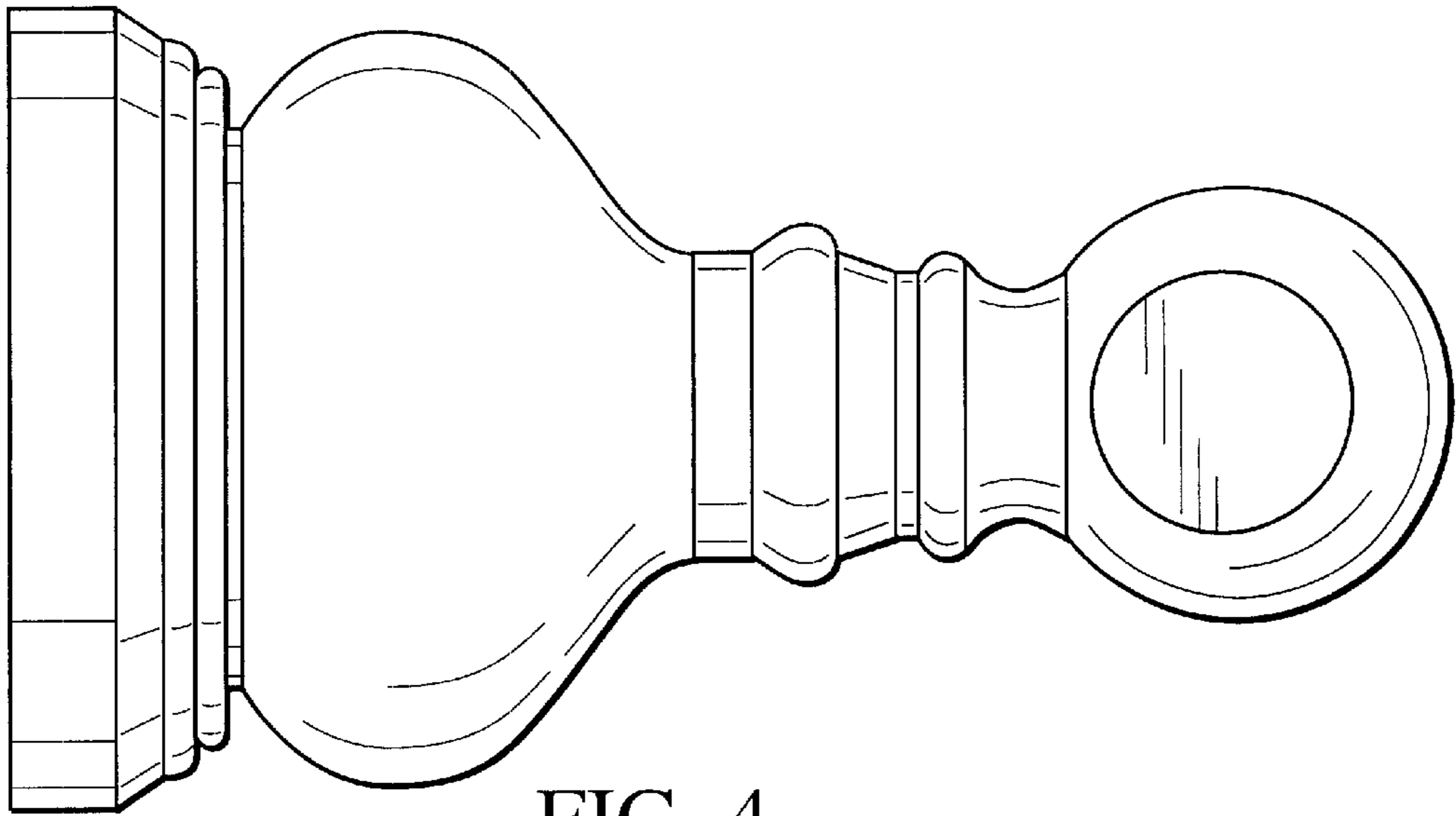


FIG. 4

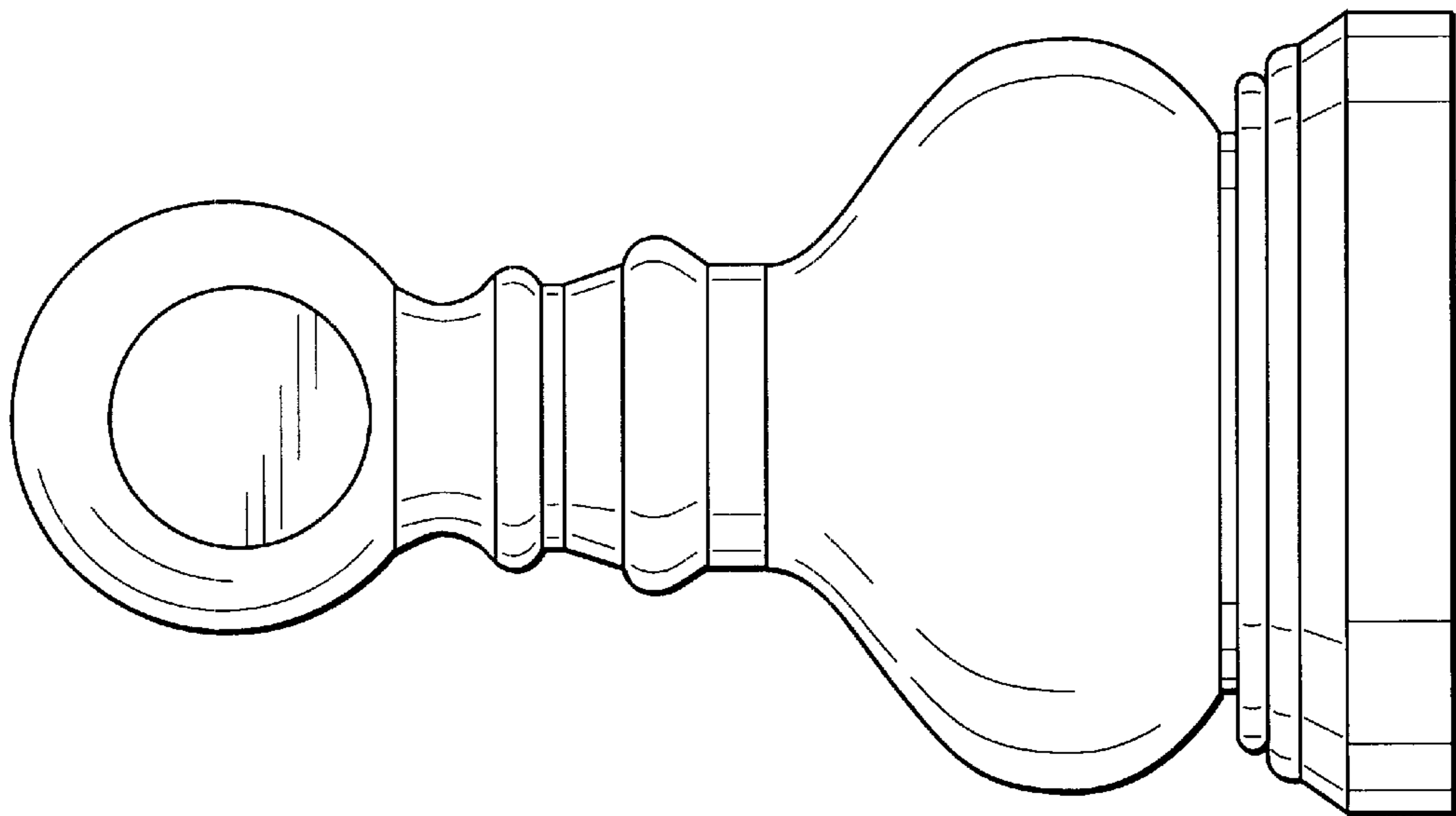


FIG. 5

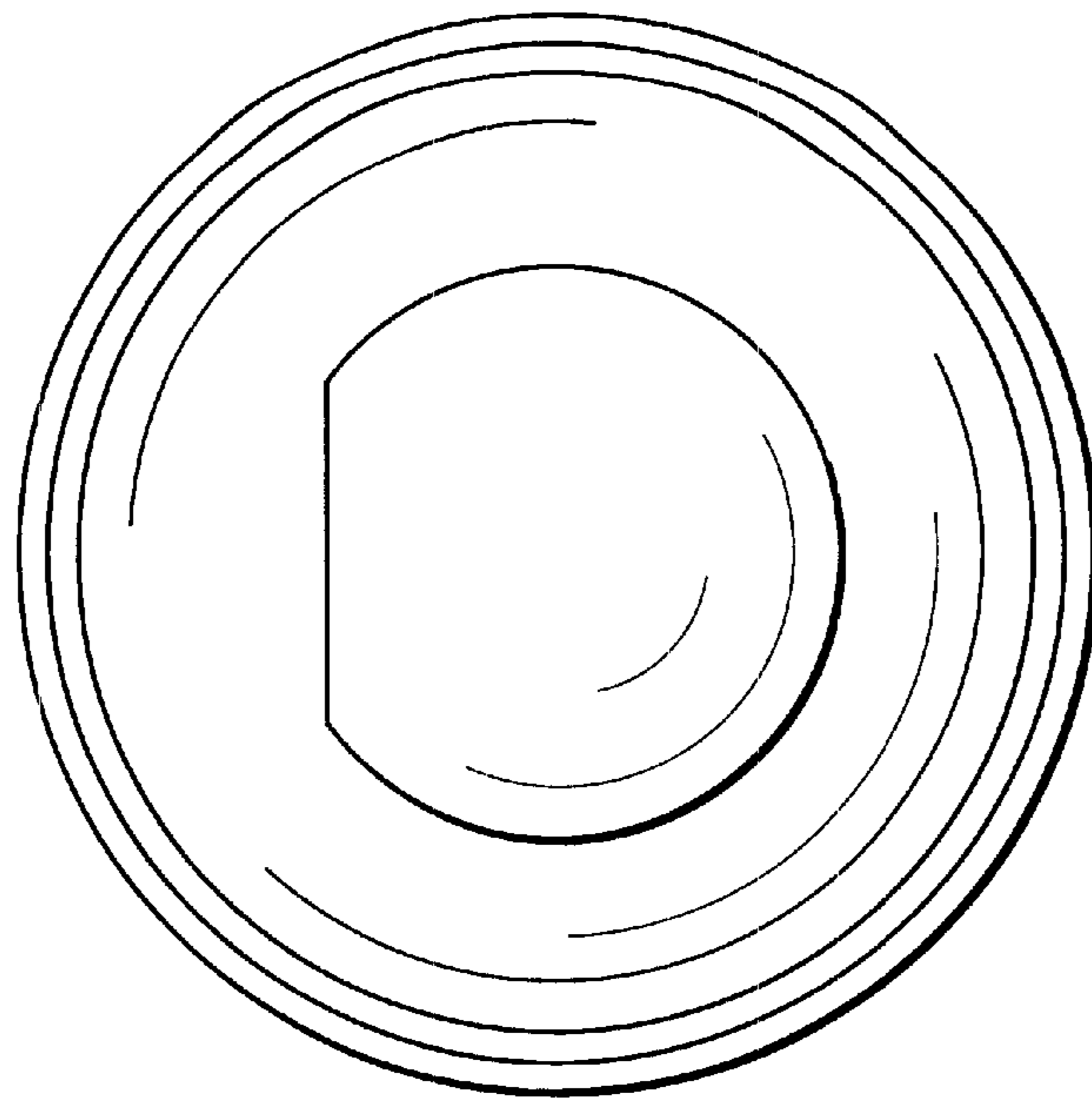


FIG. 6

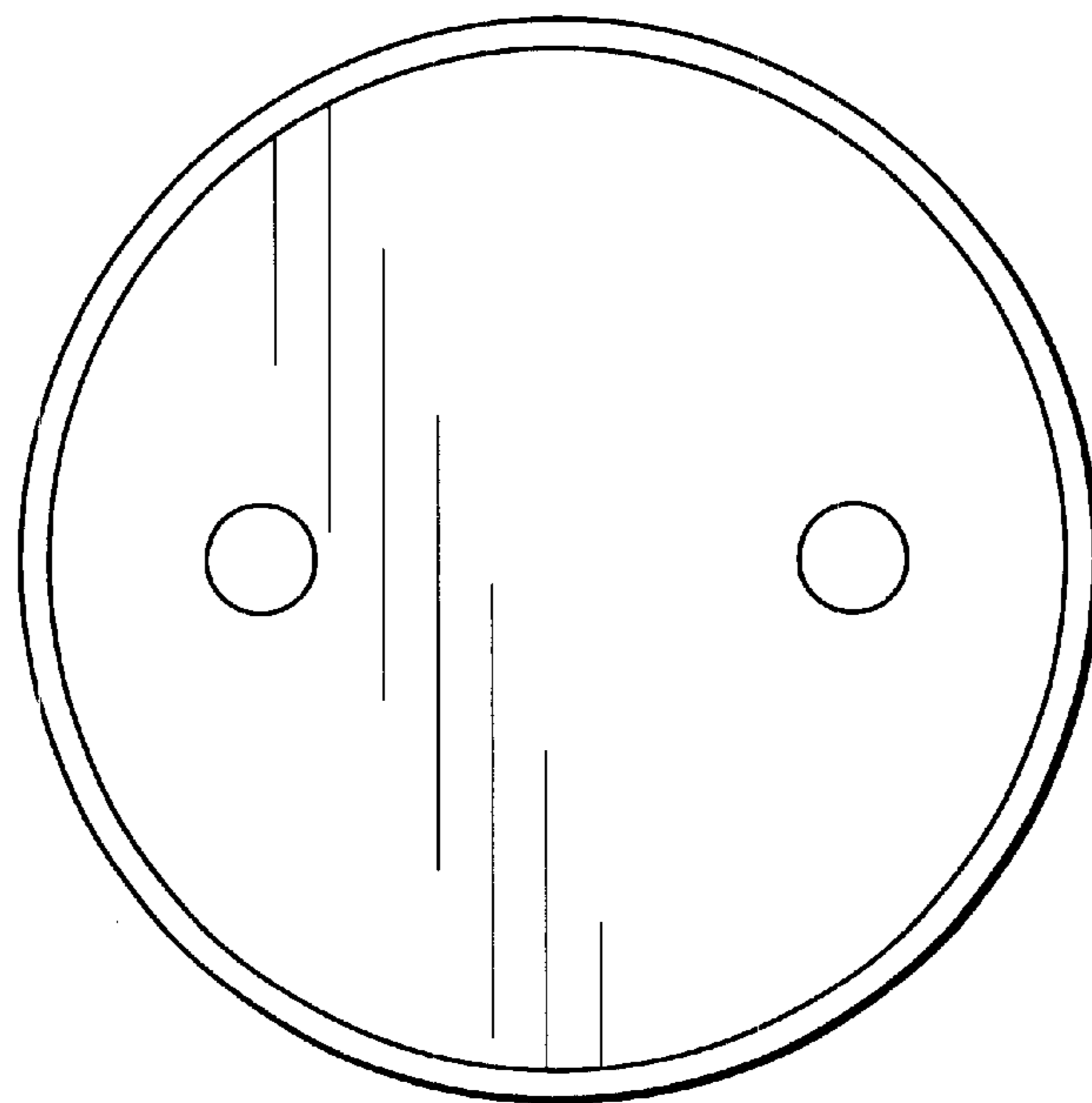


FIG. 7