



US00D466736S

(12) **United States Design Patent**  
**Ouyoung**

(10) **Patent No.:** **US D466,736 S**

(45) **Date of Patent:** **\*\* Dec. 10, 2002**

- (54) **BATH ACCESSORY POST**
- (75) Inventor: **Ming Ouyoung**, Taichung Export Processing Zone (TW)
- (73) Assignee: **Globe Union America Corporation**, Bolingbrook, IL (US)
- (\*\*) Term: **14 Years**
- (21) Appl. No.: **29/150,824**
- (22) Filed: **Nov. 29, 2001**
- (51) **LOC (7) Cl.** ..... **23-02**
- (52) **U.S. Cl.** ..... **D6/524; D6/550**
- (58) **Field of Search** ..... D6/546-50, 518, D6/522-24; D8/300, 307-308, 315-20; 108/29; 211/13.1, 16, 60.1, 86.01, 87.01, 88.04, 105.1-105.2, 106, 123, 181.1; 242/570, 588-90, 597-98; 248/49, 175, 200-201, 205.1, 214, 251-54, 261, 302, 304, 309.1, 314-17

D416,419 S	11/1999	Chen	.....	D6/550
D416,785 S	11/1999	Ming-Hsiao	.....	D8/363
D417,576 S	12/1999	Ming-Hsiao	.....	D6/549
D423,854 S	5/2000	Roth et al.	.....	D6/549
D438,092 S	* 3/2001	Wu	.....	D6/549
D439,779 S	* 4/2001	Wu	.....	D6/523
D451,324 S	* 12/2001	Lai	.....	D6/524
D451,737 S	* 12/2001	Chen	.....	D6/550
D452,402 S	* 12/2001	Chen	.....	D6/550
D454,273 S	* 3/2002	Meck et al.	.....	D6/523
D454,459 S	* 3/2002	Meck et al.	.....	D6/549

\* cited by examiner

*Primary Examiner*—Brian N. Vinson

(74) *Attorney, Agent, or Firm*—Brinks Hofer Gilson & Lione

(57) **CLAIM**

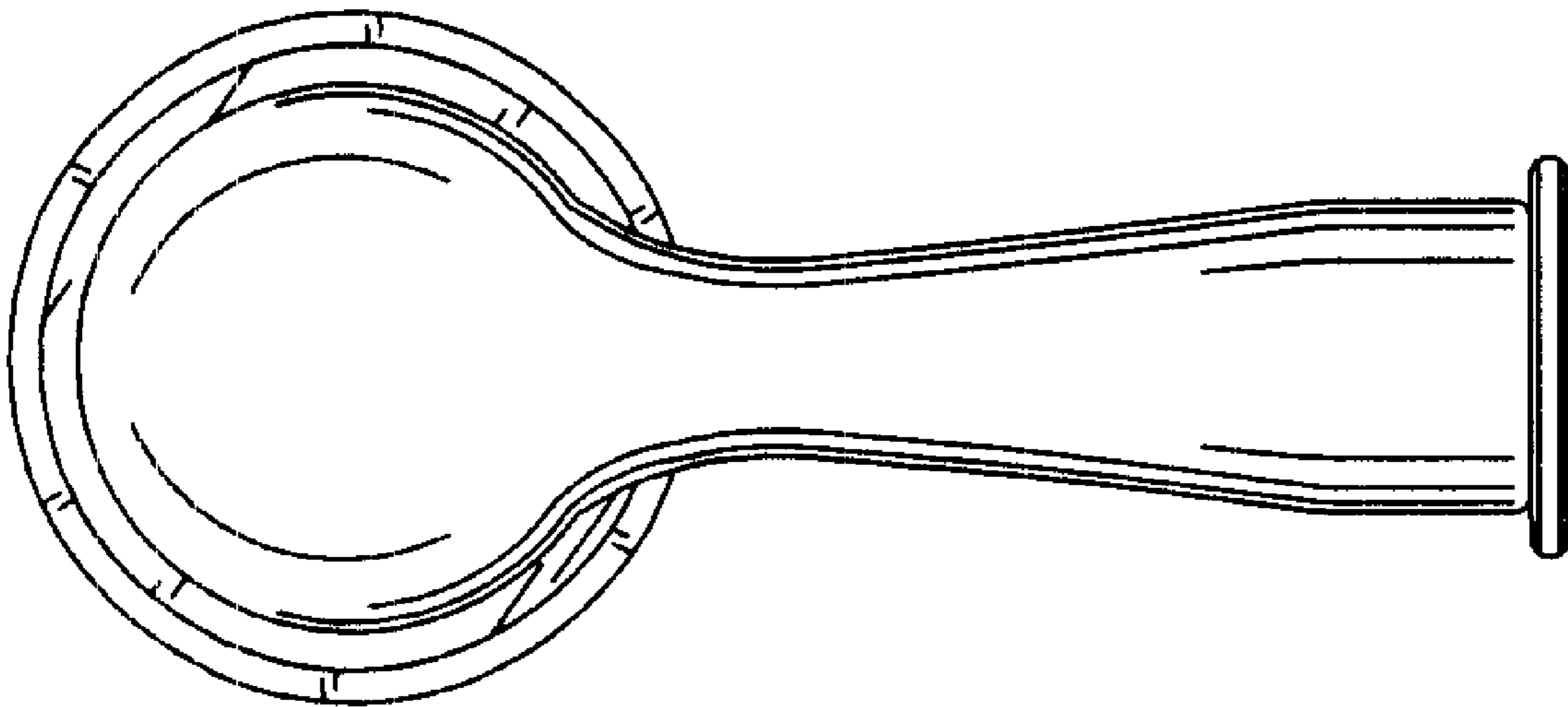
The ornamental design for a bath accessory post, as shown and described.

**DESCRIPTION**

- FIG. 1 is a perspective view showing my new design.
- FIG. 2 is a bottom elevational view thereof.
- FIG. 3 is a top elevational view thereof.
- FIG. 4 is a left elevational view thereof.
- FIG. 5 is a right elevational view thereof.
- FIG. 6 is a front elevational view thereof; and,
- FIG. 7 is a rear elevational view thereof.

**1 Claim, 4 Drawing Sheets**

- (56) **References Cited**
- U.S. PATENT DOCUMENTS**
- D144,011 S \* 2/1946 Van Doren ..... 248/205.1
- D327,196 S 6/1992 Crook et al. .... D6/549
- D388,272 S 12/1997 Moore ..... D6/549
- D388,644 S 1/1998 Chen ..... D6/550
- D406,484 S 3/1999 Wu ..... D6/566



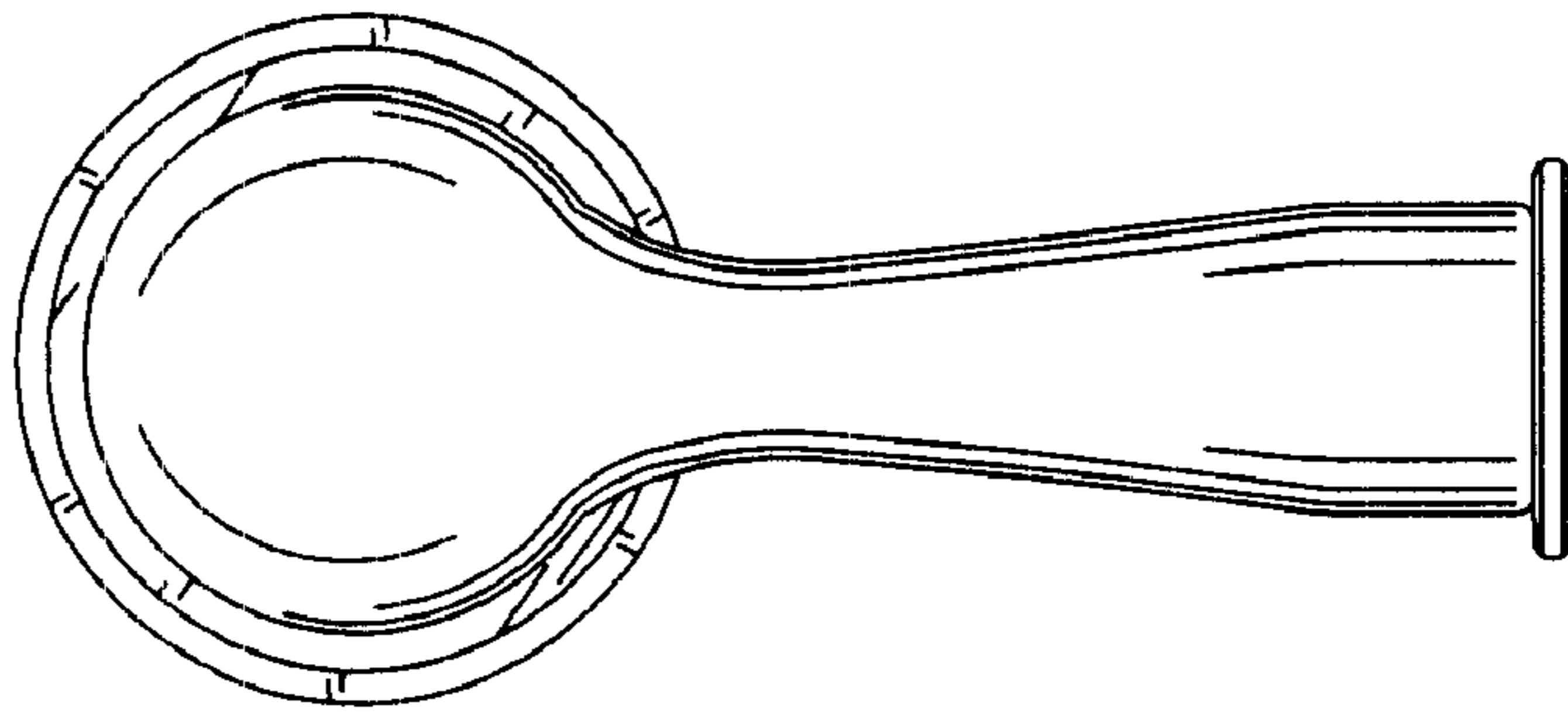


FIG. 1

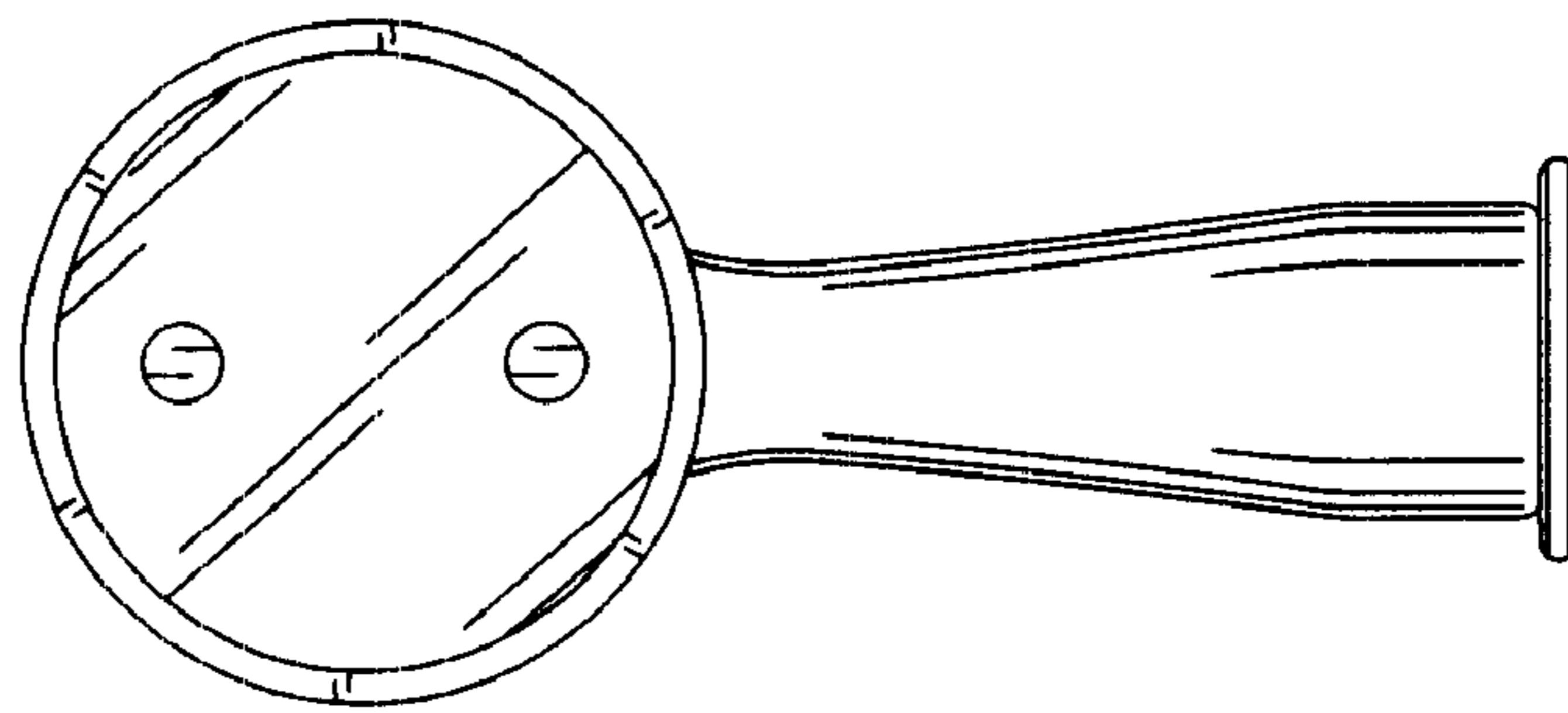


FIG. 2

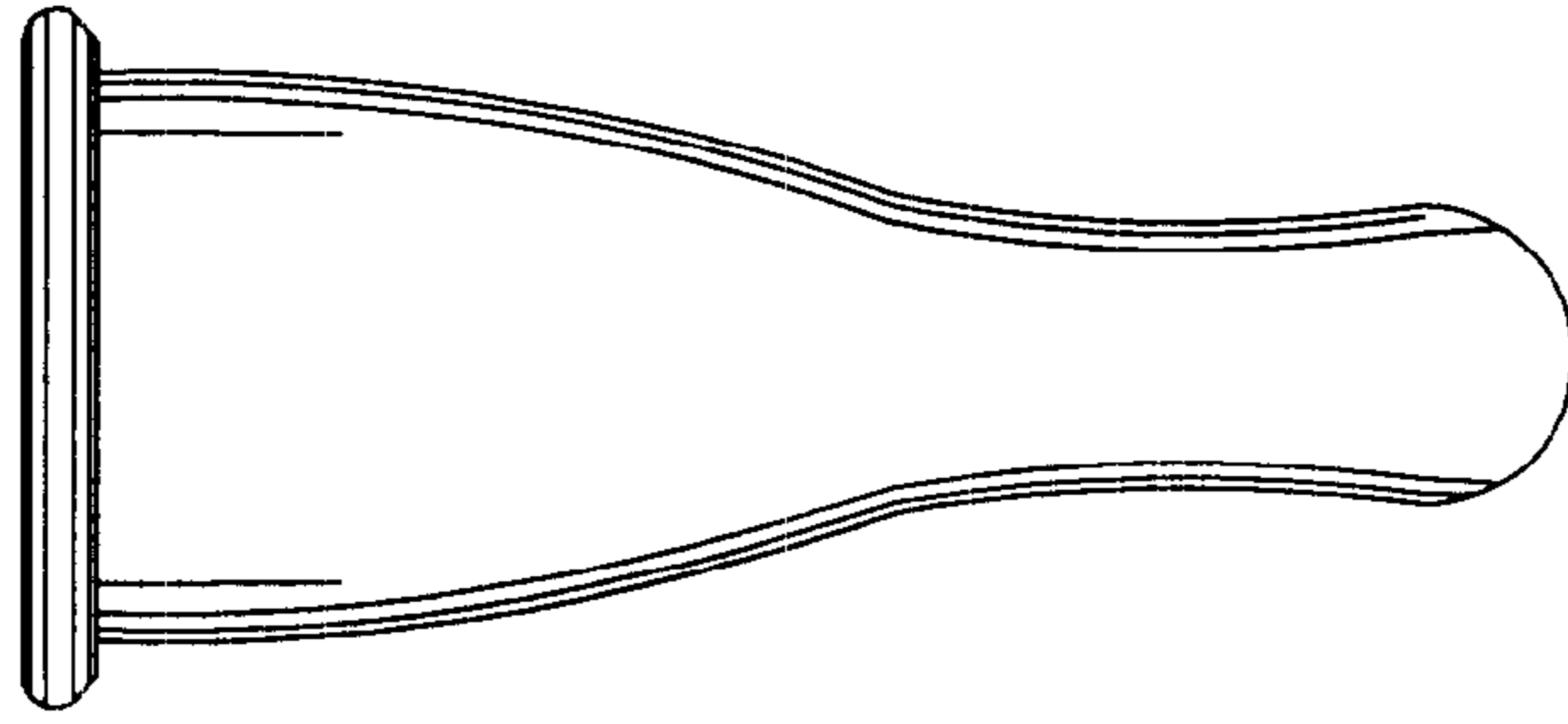


FIG. 3

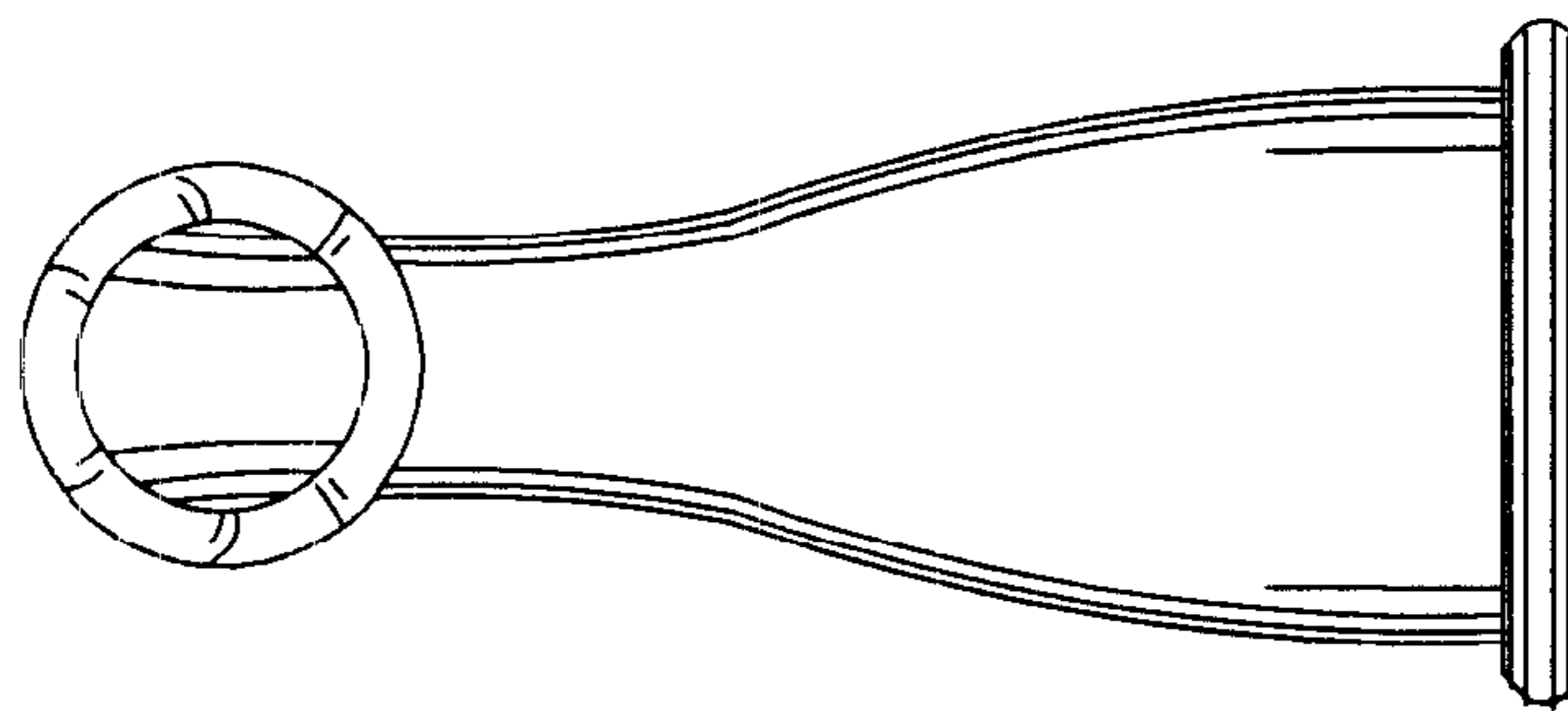


FIG. 4

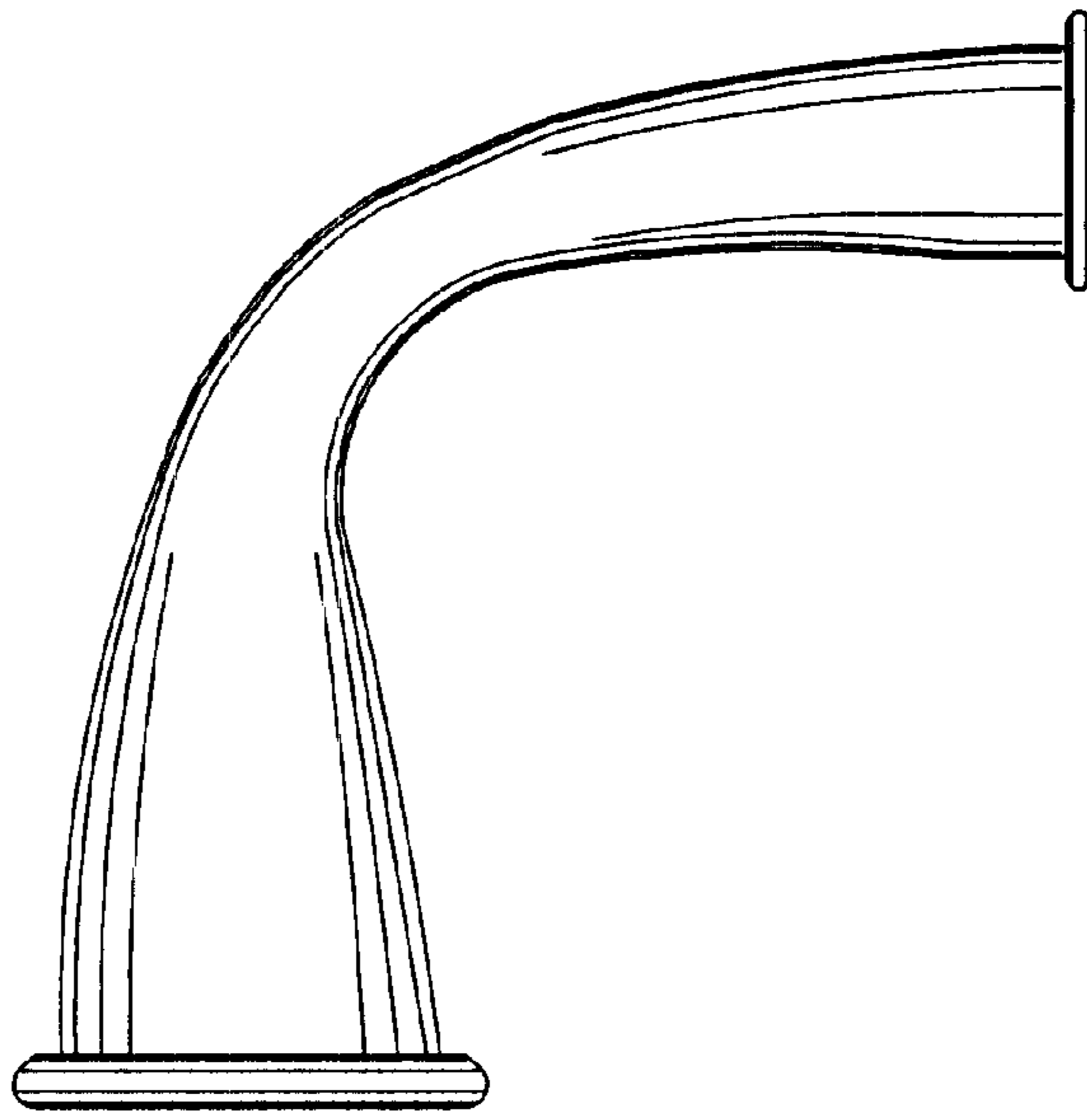


FIG. 5

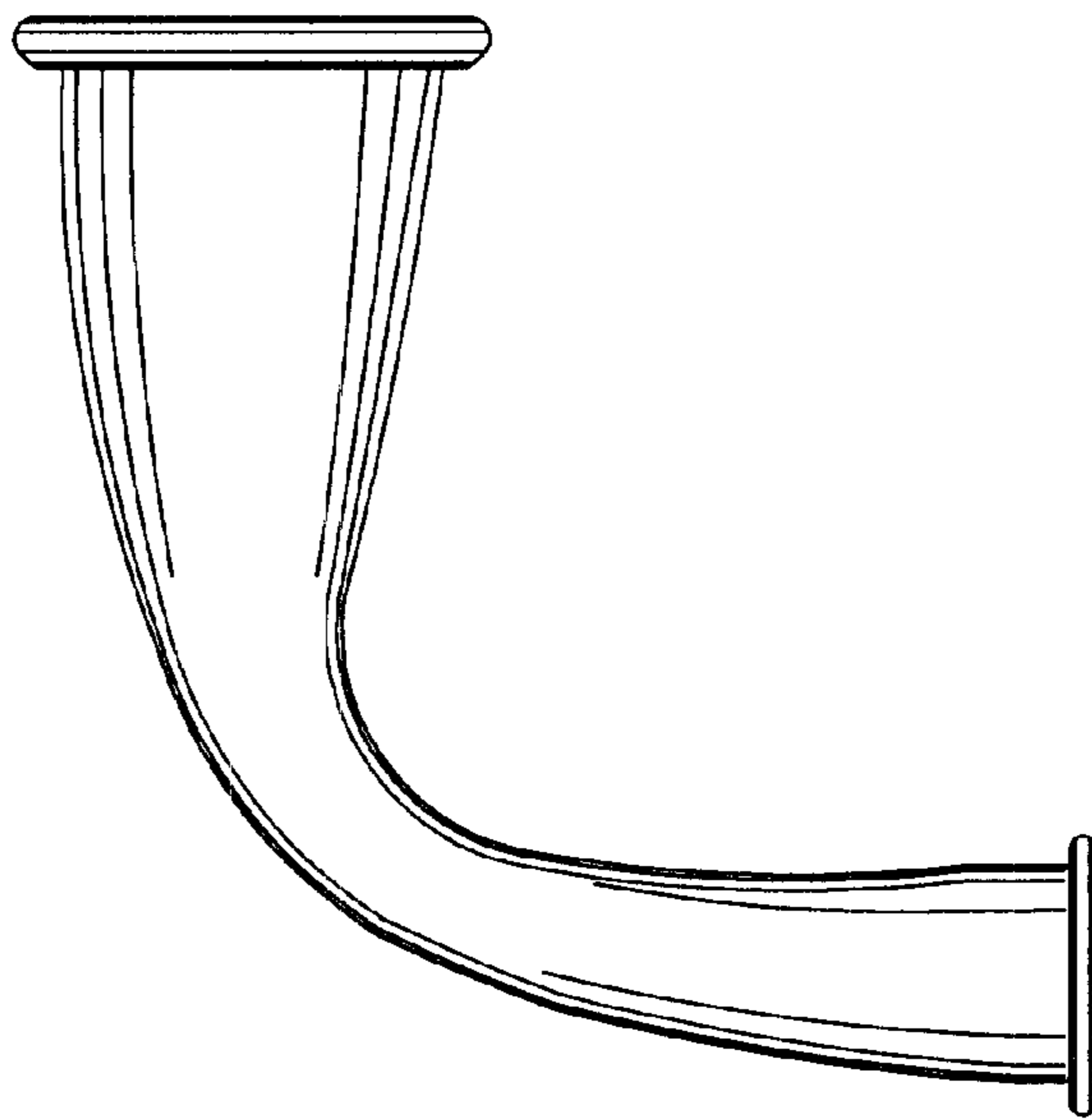


FIG. 6

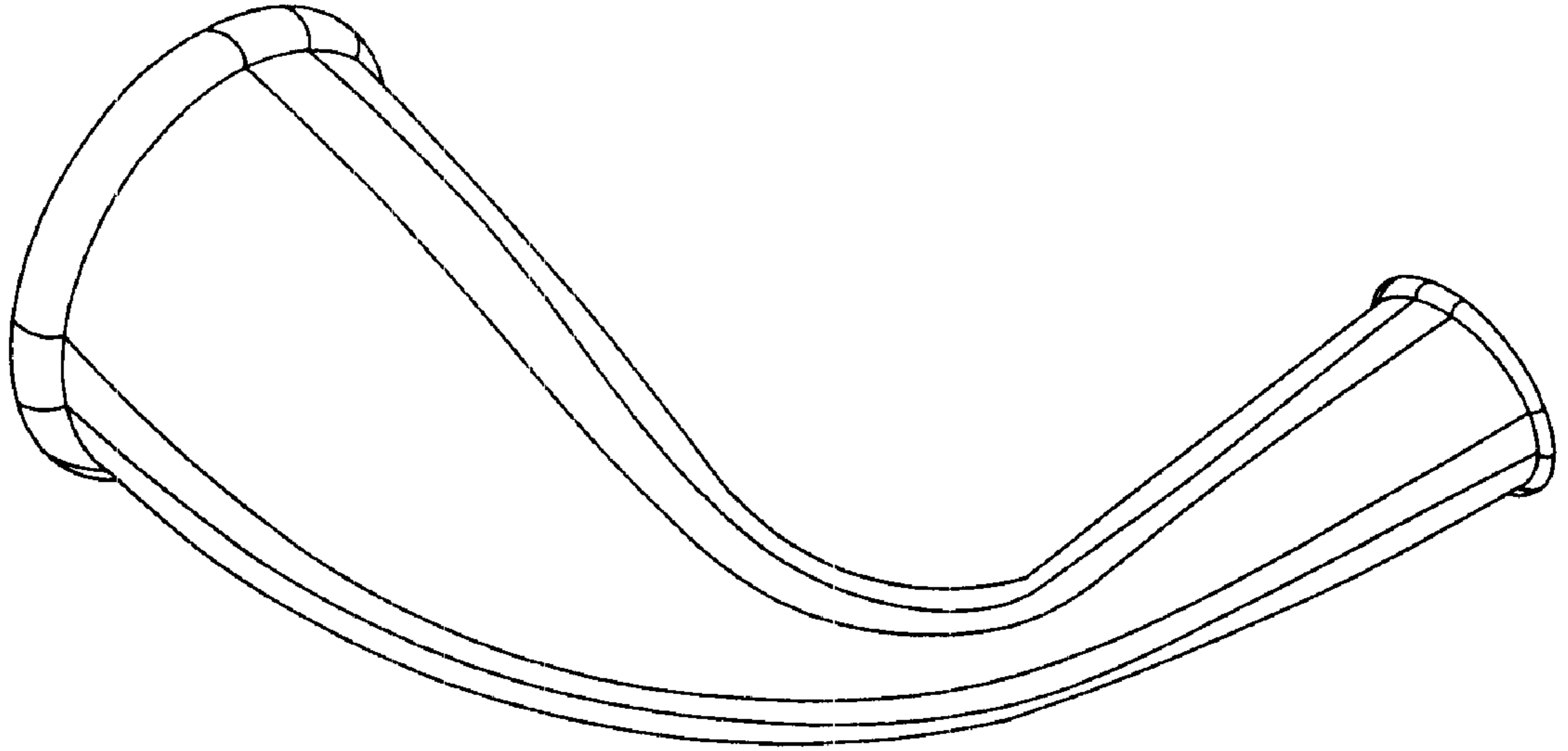


FIG. 7