



US00D466735S

(12) **United States Design Patent**  
**Moore**

(10) **Patent No.:** **US D466,735 S**

(45) **Date of Patent:** **\*\* Dec. 10, 2002**

(54) **TISSUE HOLDER**

(75) Inventor: **Glenn David Moore**, Pompton Lakes,  
NJ (US)

(73) Assignee: **Bath Unlimited, Inc.**, Passaic, NJ (US)

(\*\*) Term: **14 Years**

(21) Appl. No.: **29/147,123**

(22) Filed: **Aug. 23, 2001**

(51) **LOC (7) Cl.** ..... **23-02**

(52) **U.S. Cl.** ..... **D6/523**

(58) **Field of Search** ..... D6/546-50, 518,  
D6/522-24; D8/300, 307-8, 315-20; 108/29;  
211/13.1, 16, 60.1, 86.01, 87.01, 88.04,  
105.1-105.2, 106, 123, 181.1; 242/570,  
588-90, 597-98; 248/49, 175, 200-201,  
205.1, 214, 251-54, 261, 302, 304, 309.1,  
314-17

(56) **References Cited**

**U.S. PATENT DOCUMENTS**

D357,379 S \* 4/1995 Lehn et al. .... D6/549  
D357,840 S \* 5/1995 Lehn et al. .... D6/549

D361,006 S \* 8/1995 Sharpe ..... D6/524  
D392,139 S \* 3/1998 Wu ..... D6/549  
D424,352 S \* 5/2000 Roth et al. .... D6/549  
D424,354 S \* 5/2000 Duggan ..... D6/550  
D454,744 S \* 3/2002 Ou-Young ..... D6/550

\* cited by examiner

*Primary Examiner*—Brian N. Vinson

(74) *Attorney, Agent, or Firm*—Edgar A. Zarins; Lloyd D.  
Doigan

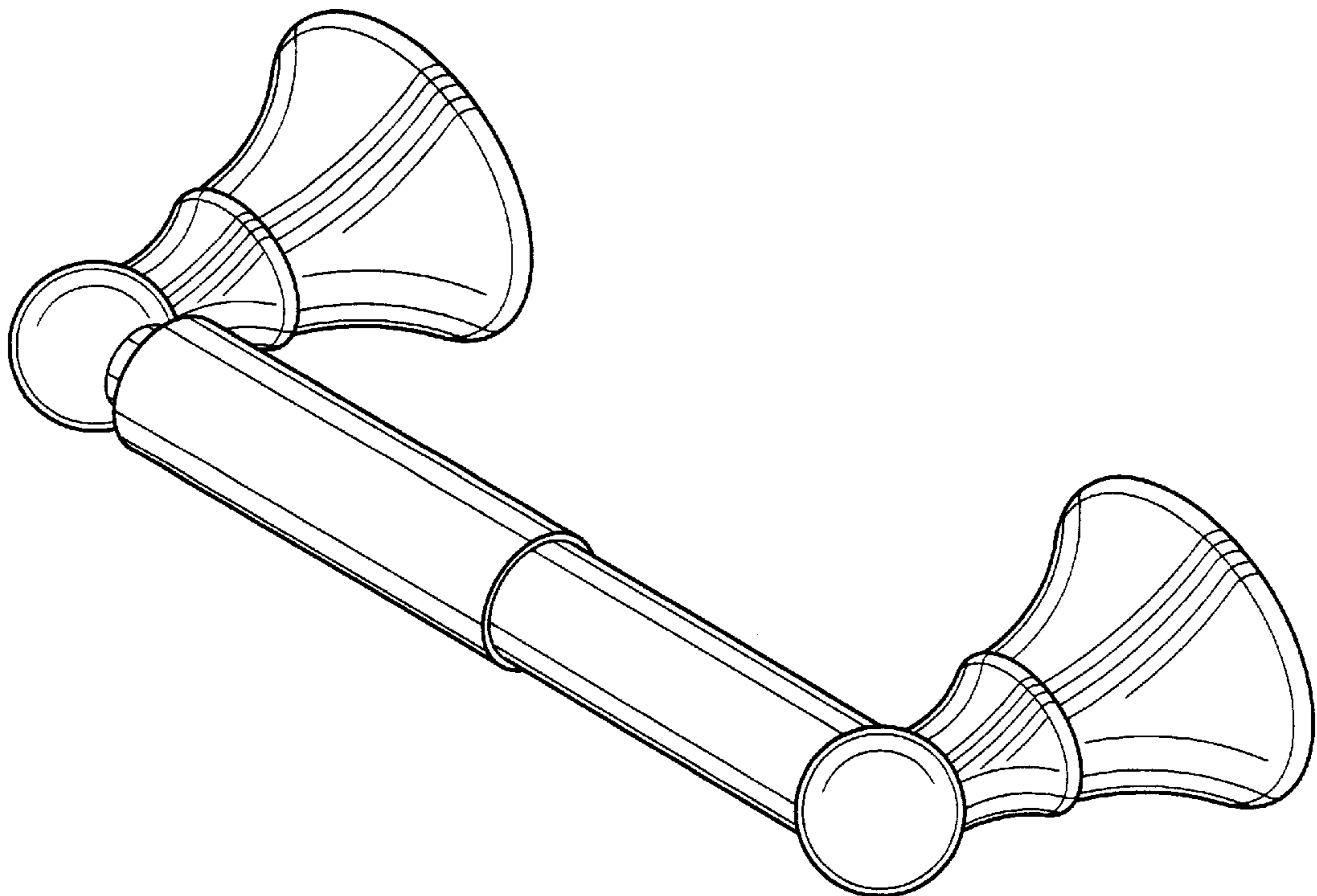
(57) **CLAIM**

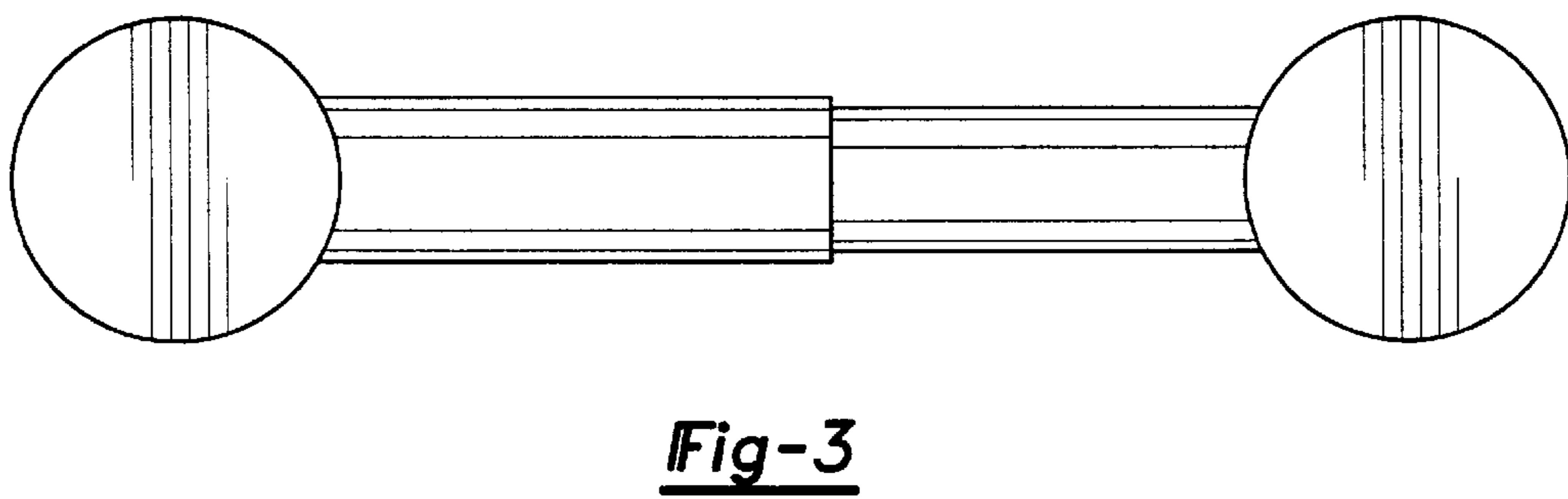
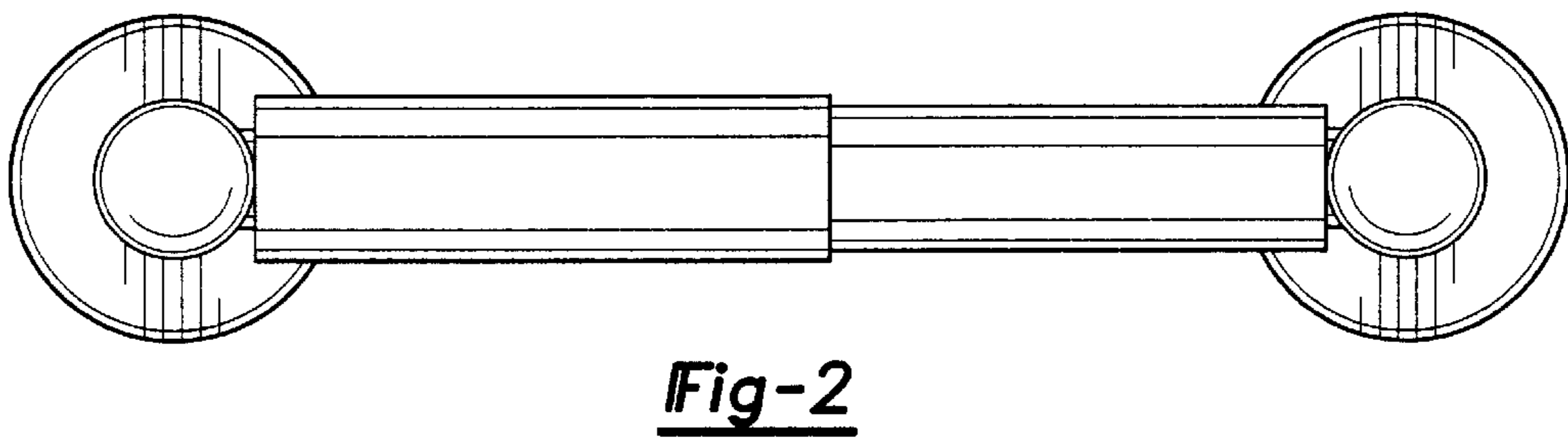
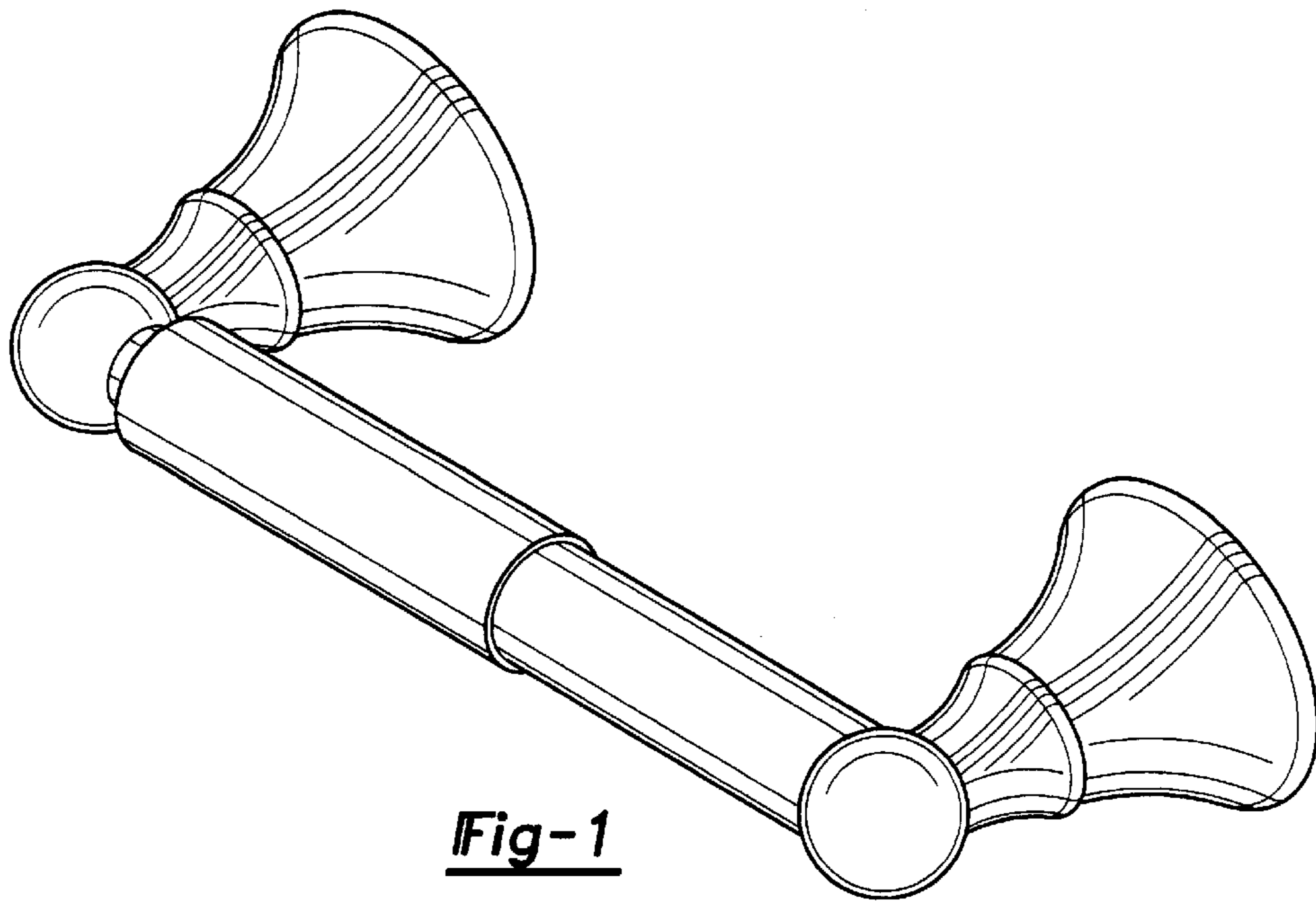
The ornamental design for a tissue holder, as shown and  
described.

**DESCRIPTION**

FIG. 1 is a perspective view of a tissue holder showing my  
new design;  
FIG. 2 is a front elevational view thereof;  
FIG. 3 is a rear elevational view thereof;  
FIG. 4 is a top plan view thereof;  
FIG. 5 is a bottom plan view thereof;  
FIG. 6 is a right side view thereof; and,  
FIG. 7 is a left side view thereof.

**1 Claim, 2 Drawing Sheets**





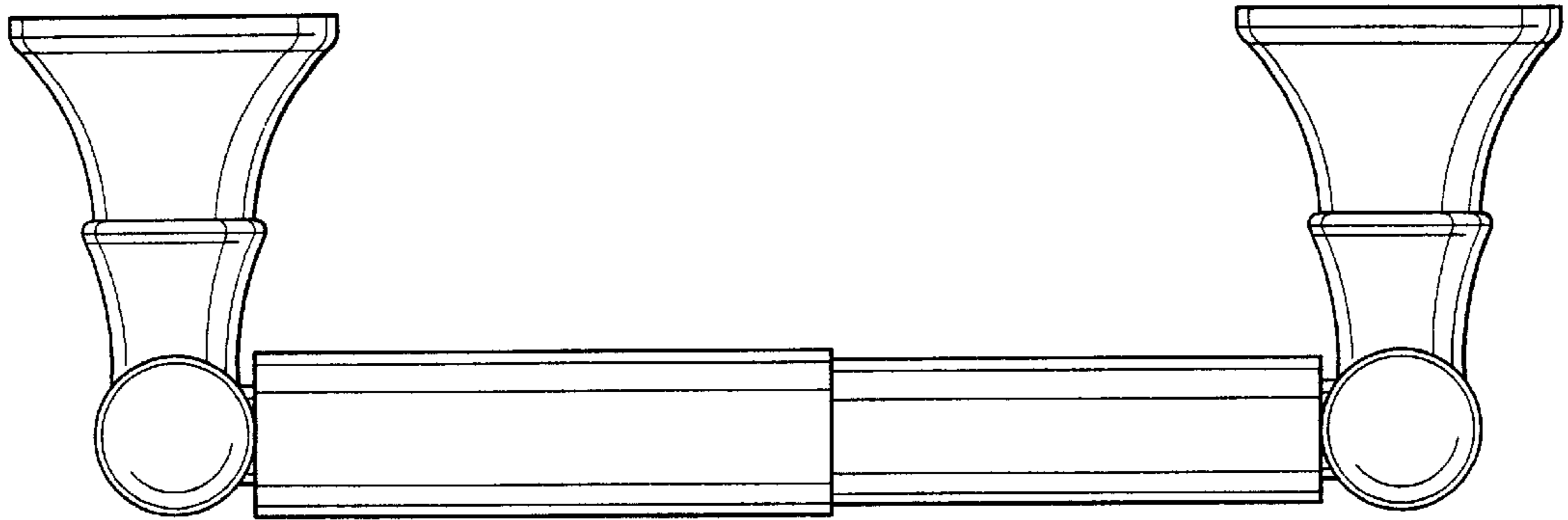


Fig-4

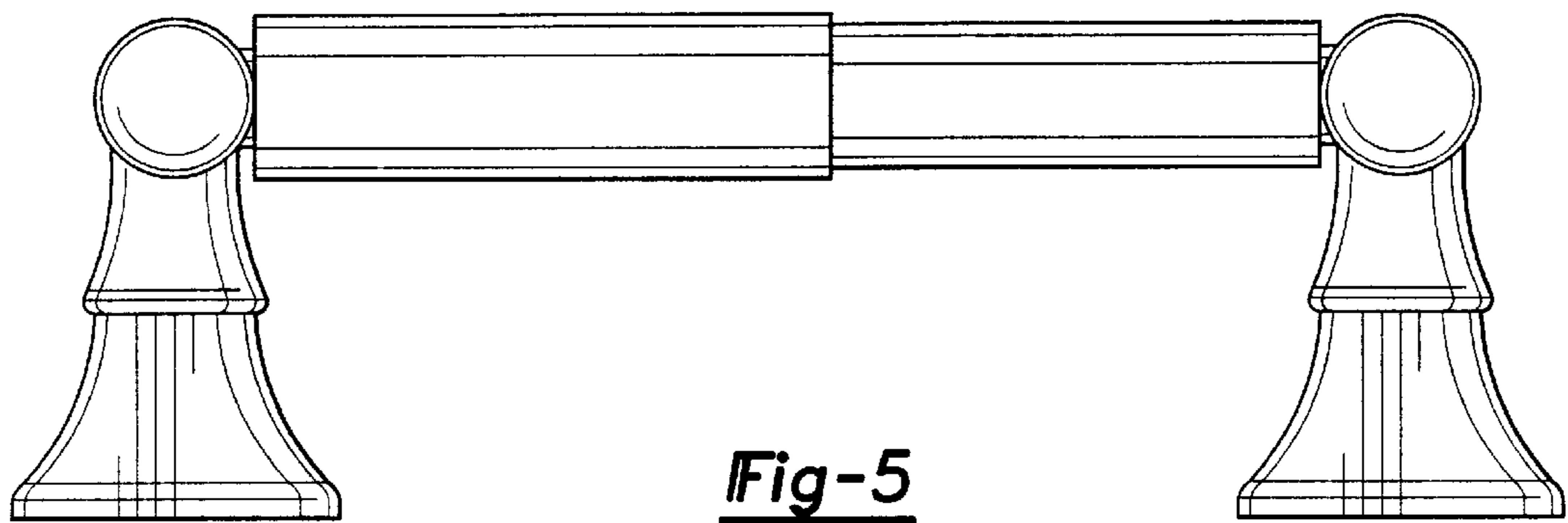


Fig-5

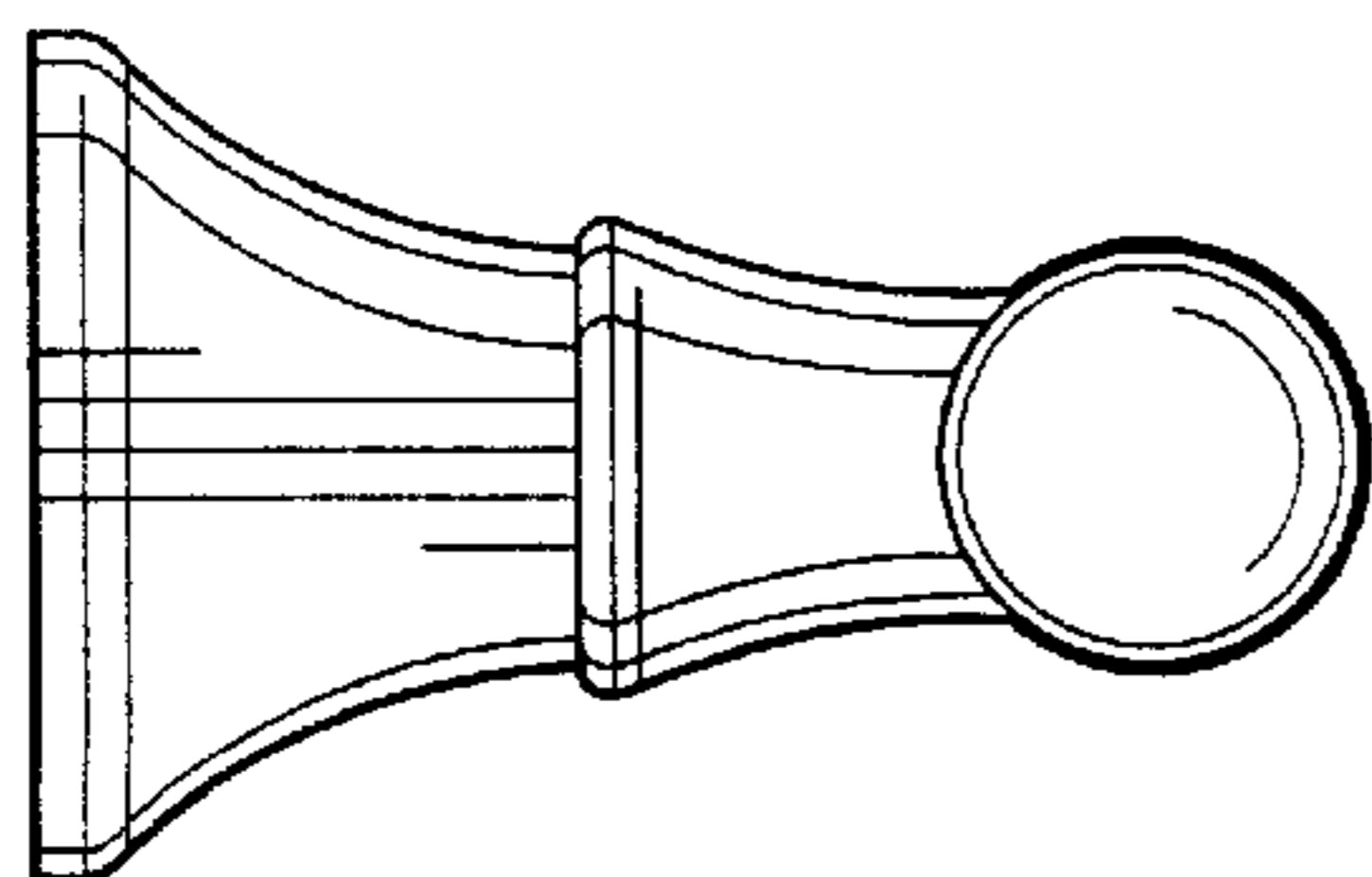


Fig-6

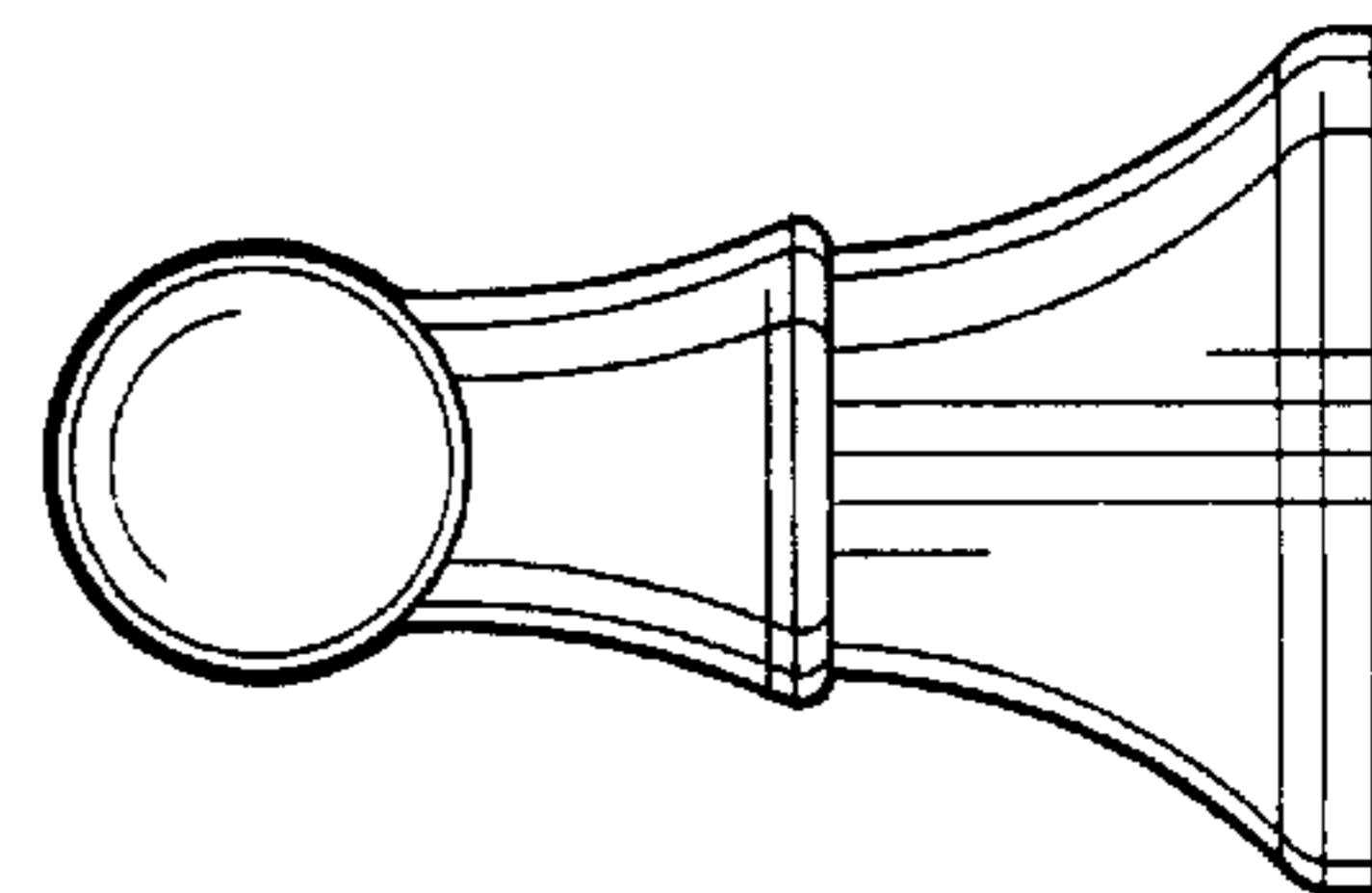


Fig-7