



US00D466733S

(12) **United States Design Patent**  
**Ong**

(10) **Patent No.:** **US D466,733 S**

(45) **Date of Patent:** **\*\* Dec. 10, 2002**

(54) **TISSUE BOX COVER WITH HORIZONTAL PROJECTING RIBS**

(76) **Inventor:** **Bon S. Ong**, Box 4247, Torrance, CA (US) 90510

(\*\*) **Term:** **14 Years**

(21) **Appl. No.:** **29/159,289**

(22) **Filed:** **Apr. 1, 2002**

**Related U.S. Application Data**

(63) Continuation-in-part of application No. 29/155,443, filed on Feb. 12, 2002.

(51) **LOC (7) Cl.** ..... **20-02**

(52) **U.S. Cl.** ..... **D6/518**

(58) **Field of Search** ..... D6/515-523; 312/34.1, 312/34.4; 206/804, 812; 211/13.1, 48, 49; 221/22, 33, 45, 286

(56) **References Cited**

**U.S. PATENT DOCUMENTS**

- 2,433,587 A \* 12/1947 Wentworth ..... 206/804 X
- D201,462 S \* 6/1965 Klein ..... D6/518
- D205,629 S \* 8/1966 Hartley ..... D6/518
- D205,721 S \* 9/1966 O'Neil ..... D6/518
- D208,206 S 8/1967 Helgeson ..... D52/2
- D304,651 S \* 11/1989 McKee ..... D6/520
- D334,498 S \* 4/1993 Romme et al. .... D6/515
- D348,389 S \* 7/1994 Nigro ..... D6/515 X
- D371,708 S \* 7/1996 Haley et al. .... D6/518

- D372,386 S 8/1996 Kuchenbecker ..... D6/518
- D372,387 S \* 8/1996 Kuchenbecker ..... D6/518
- D390,391 S 2/1998 Hsu ..... D6/518
- D403,189 S 12/1998 Isaacson ..... D6/518
- D424,342 S \* 5/2000 Pasquale ..... D6/518 X
- D436,273 S 1/2001 Lange

**OTHER PUBLICATIONS**

Ma Leck Catalogue (1980) p. 31, Tissue Box Covers ML 1550.

\* cited by examiner

*Primary Examiner*—Brian N. Vinson

(74) *Attorney, Agent, or Firm*—Charles H. Thomas

(57) **CLAIM**

I claim the ornamental design for a tissue box cover with horizontal projecting ribs, as shown and described.

**DESCRIPTION**

FIG. 1 is a perspective view of a tissue box cover with horizontal projecting ribs showing my new design; FIG. 2 is a left-side elevational view thereof, it being understood that the undisclosed right-side elevational view is identical thereto;

FIG. 3 is a front elevational view thereof, it being understood that the undisclosed rear elevational view is identical thereto;

FIG. 4 is a top plan view thereof; and,

FIG. 5 is a bottom plan view thereof.

**1 Claim, 3 Drawing Sheets**

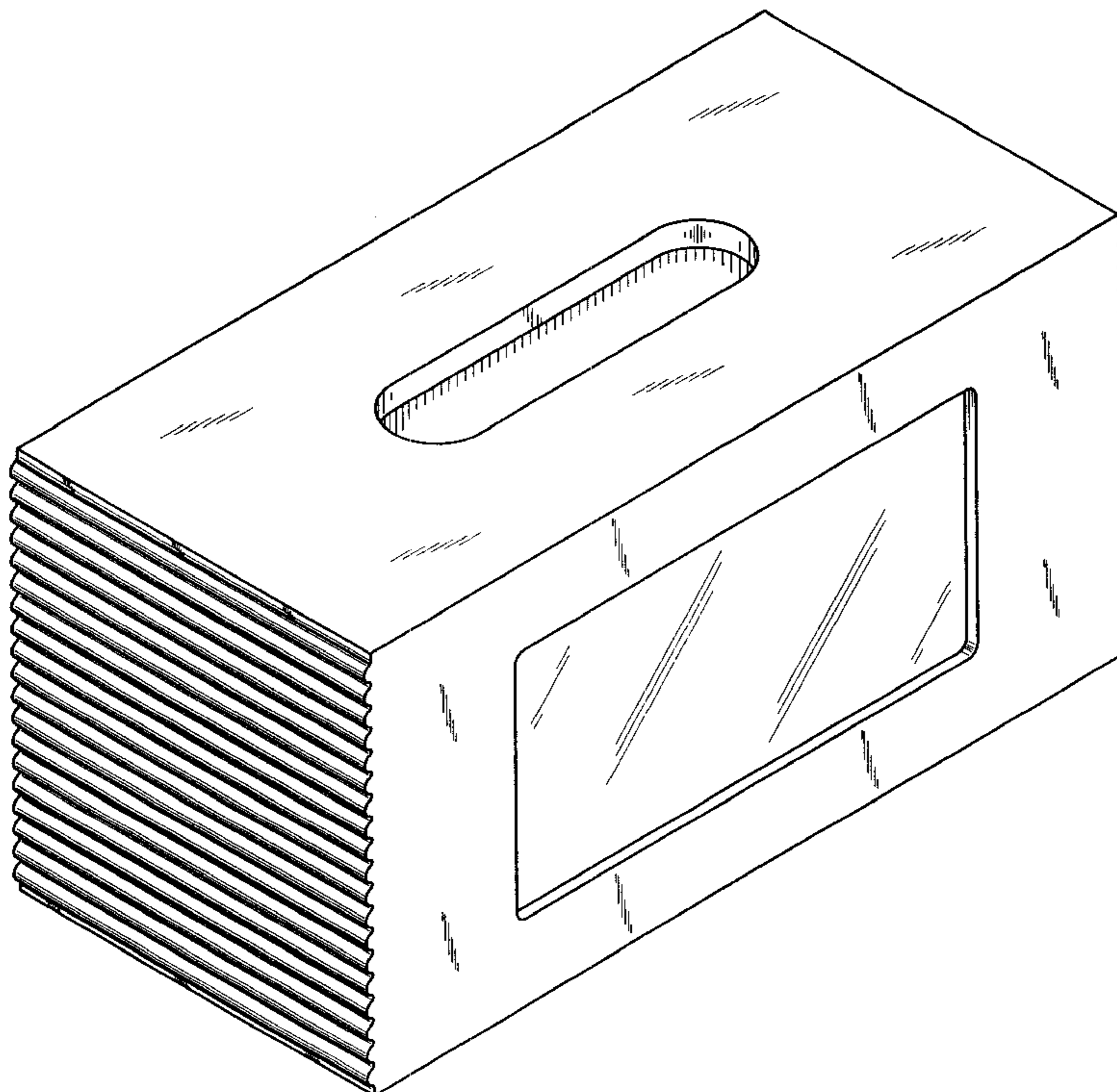


FIG. 1

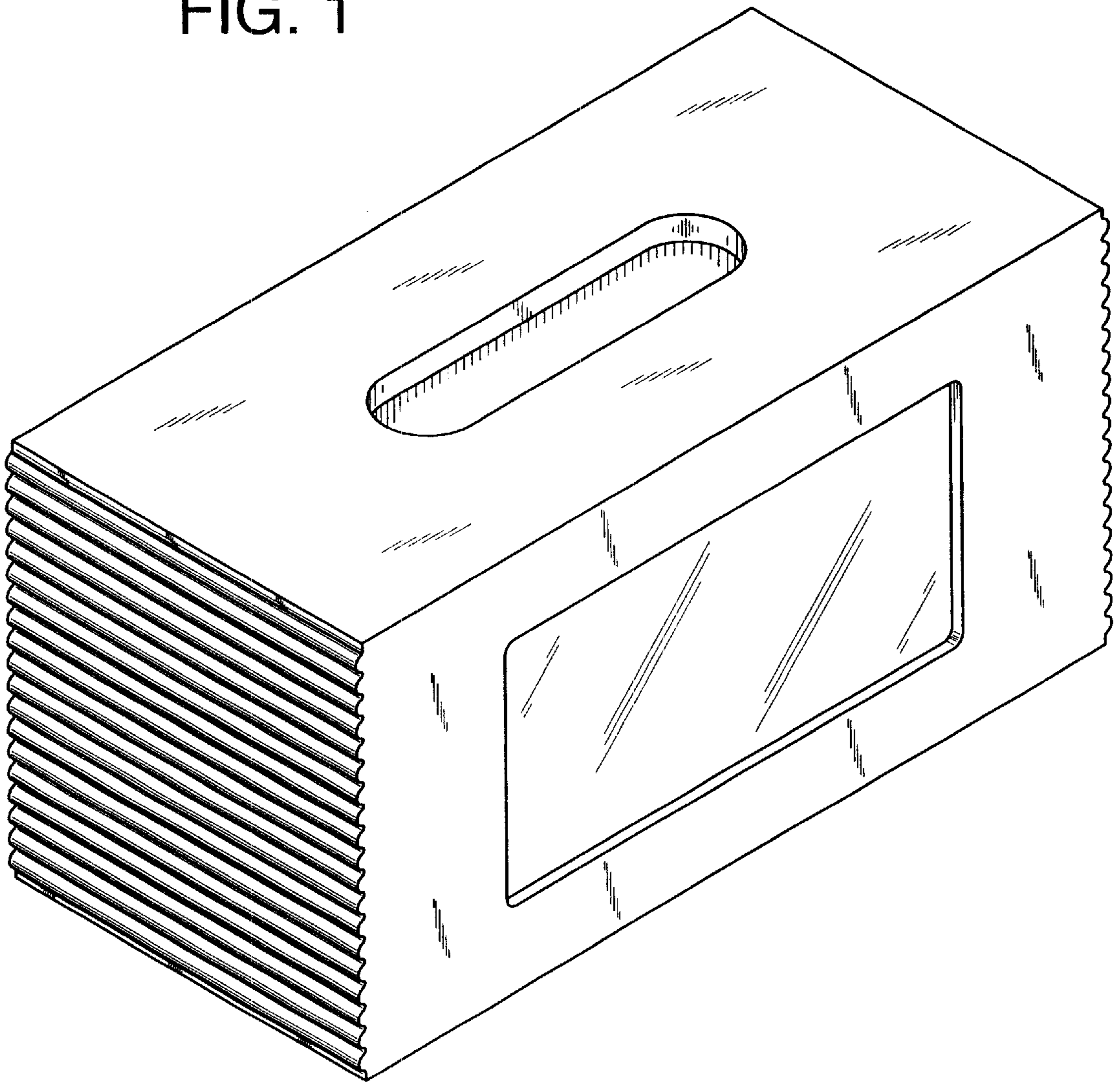


FIG. 3

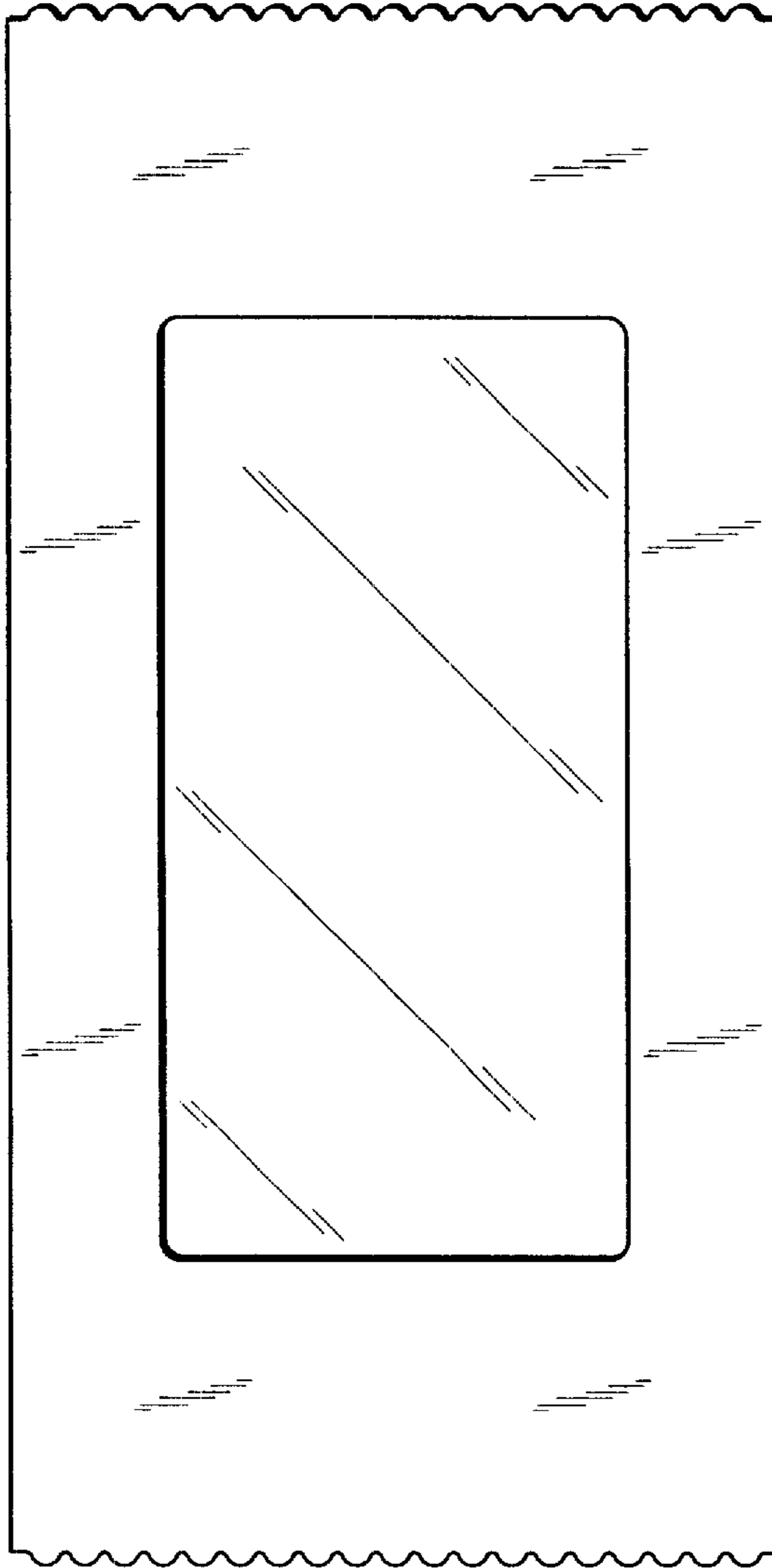


FIG. 2

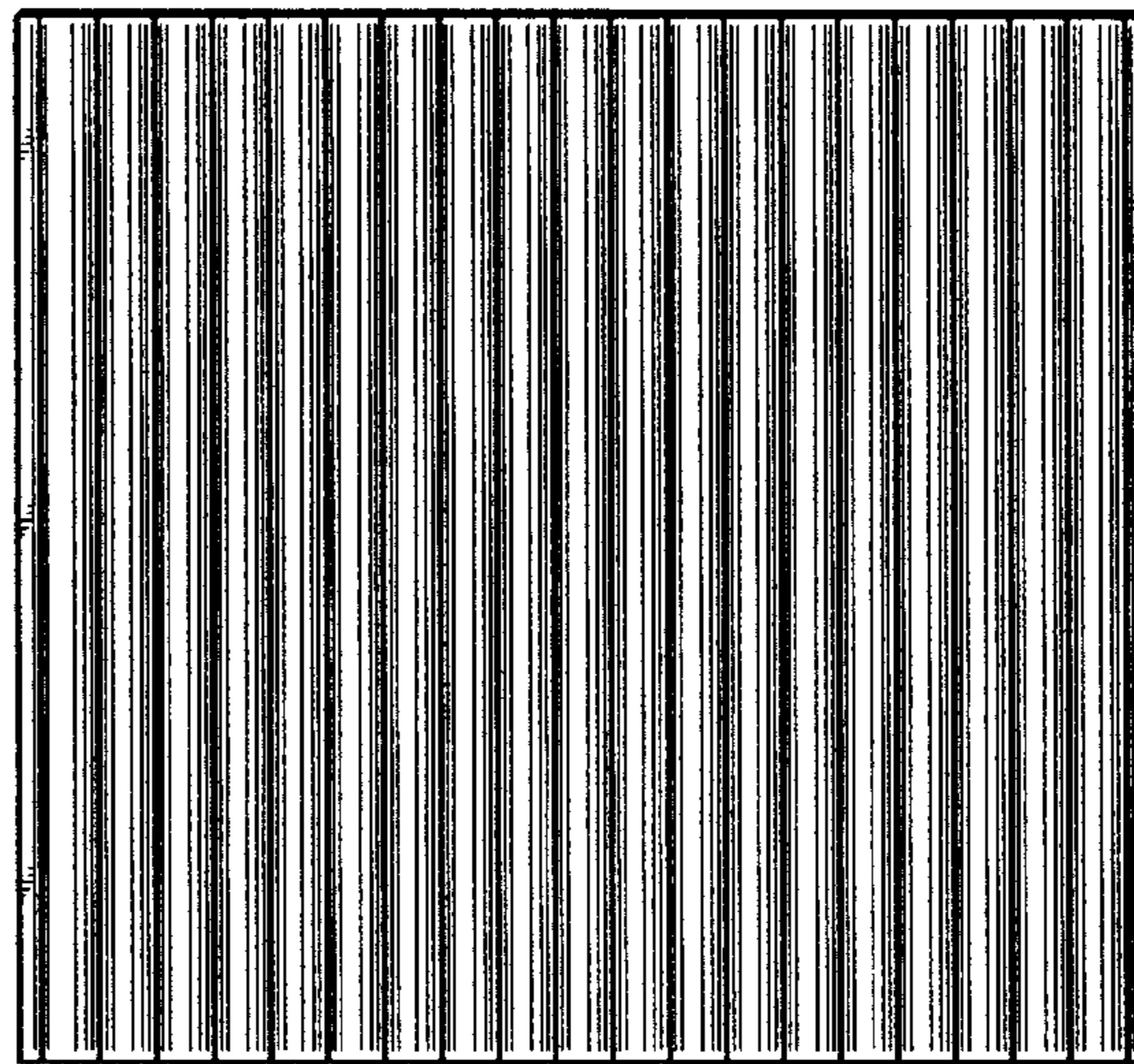


FIG. 4

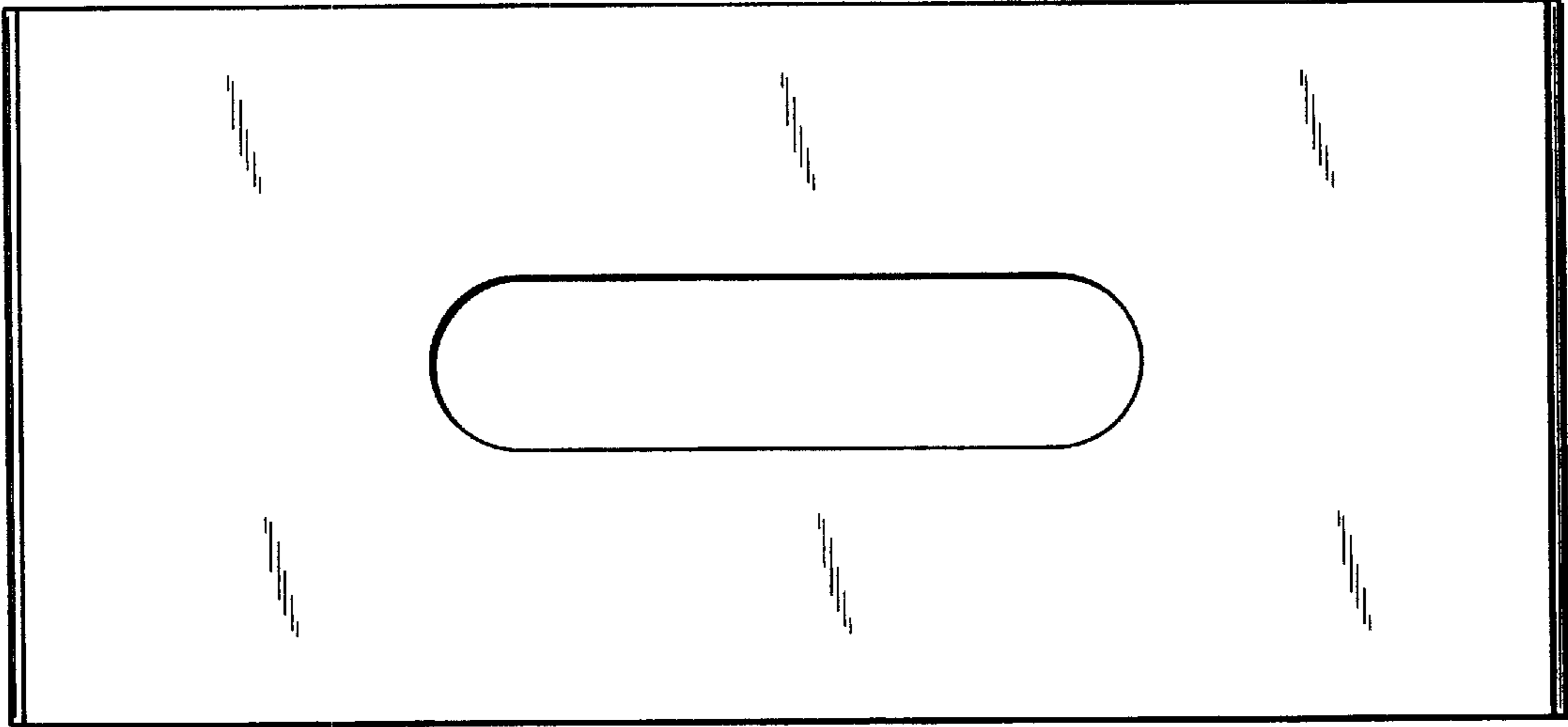


FIG. 5

