



US00D466730S

(12) **United States Design Patent**  
**Camfferman**

(10) **Patent No.:** **US D466,730 S**

(45) **Date of Patent:** **\*\* Dec. 10, 2002**

(54) **BED BOARD**

(75) Inventor: **Brent J Camfferman**, Louisville, KY  
(US)

(73) Assignee: **Palliser Furniture Ltd.**, Winnipeg  
(CA)

(\*\*) Term: **14 Years**

(21) Appl. No.: **29/148,926**

(22) Filed: **Sep. 28, 2001**

(51) **LOC (7) Cl.** ..... **06-06**

(52) **U.S. Cl.** ..... **D6/505**

(58) **Field of Search** ..... D6/382, 389, 392-395,  
D6/505-508; 5/53.1, 279.1, 280, 281, 907

(56) **References Cited**

**U.S. PATENT DOCUMENTS**

D40,109 S	*	6/1909	Stephenson	.....	D6/506
D56,635 S	*	11/1920	Stuart	.....	D6/506
D340,148 S	*	10/1993	Ball	.....	D6/393
D444,324 S	*	7/2001	Glover	.....	D6/492

**OTHER PUBLICATIONS**

Broyhill Sales Sheet—undated.

\* cited by examiner

*Primary Examiner*—Janice E. Seeger

(74) *Attorney, Agent, or Firm*—Clifford W. Browning;  
Woodard, Emhardt, Naughton, Moriarty & McNett

(57) **CLAIM**

The ornamental design for a bed board, as shown and described.

**DESCRIPTION**

FIG. 1 is a front, right side perspective view of a bed board embodying my design, and the front, left side perspective view of the design element thereof is a mirror image;

FIG. 2 is a front view of the bed board of FIG. 1;

FIG. 3 is an enlarged front view of part of the bed board of FIG. 1;

FIG. 4 is an enlarged rear view of part of the bed board of FIG. 1;

FIG. 5 is a cross sectional view at 5—5 in FIG. 3;

FIG. 6 is a cross sectional view at 6—6 in FIG. 3;

FIG. 7 is a right side view of the bed board of FIG. 1;

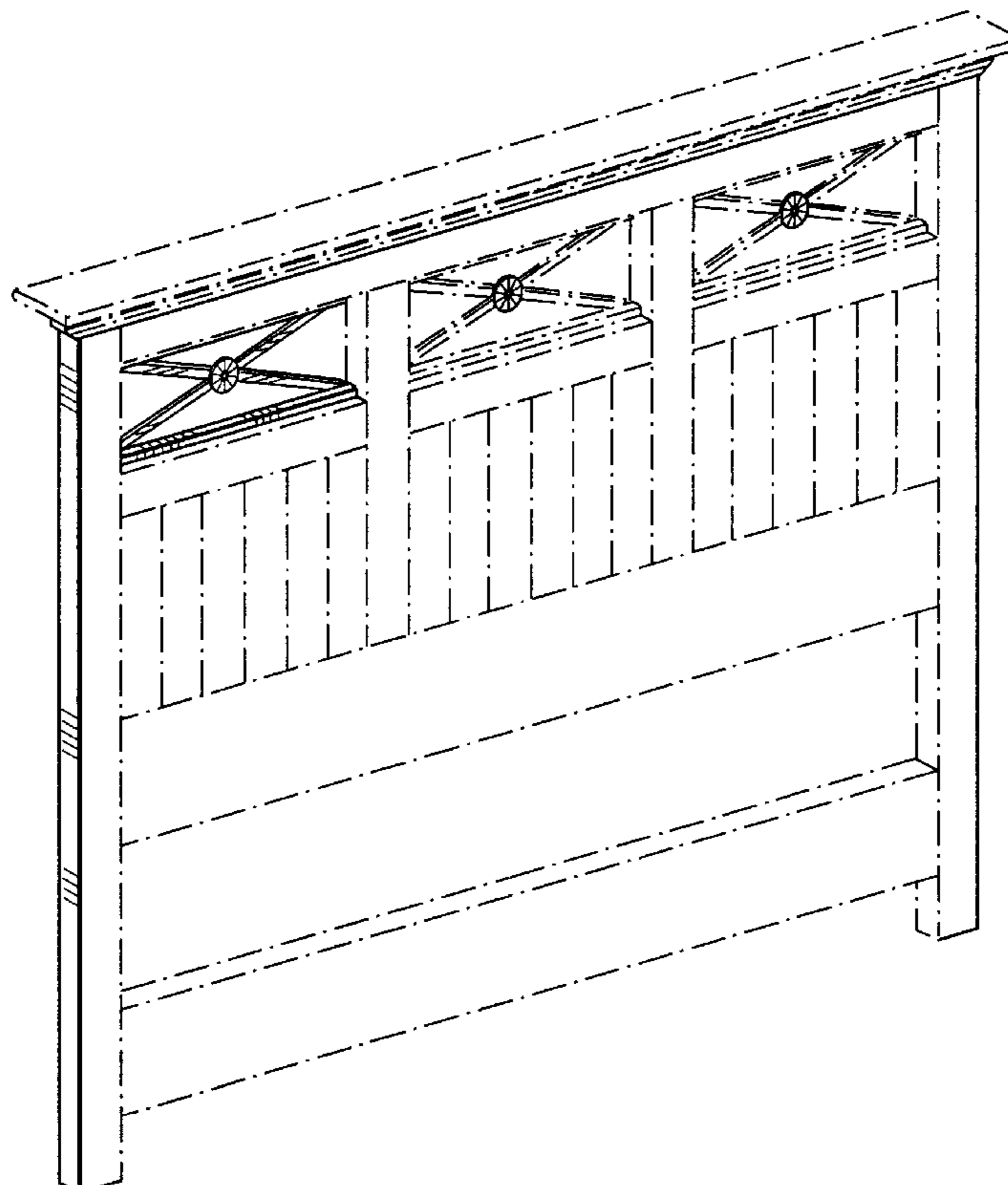
FIG. 8 is a left side view of the bed board of FIG. 1;

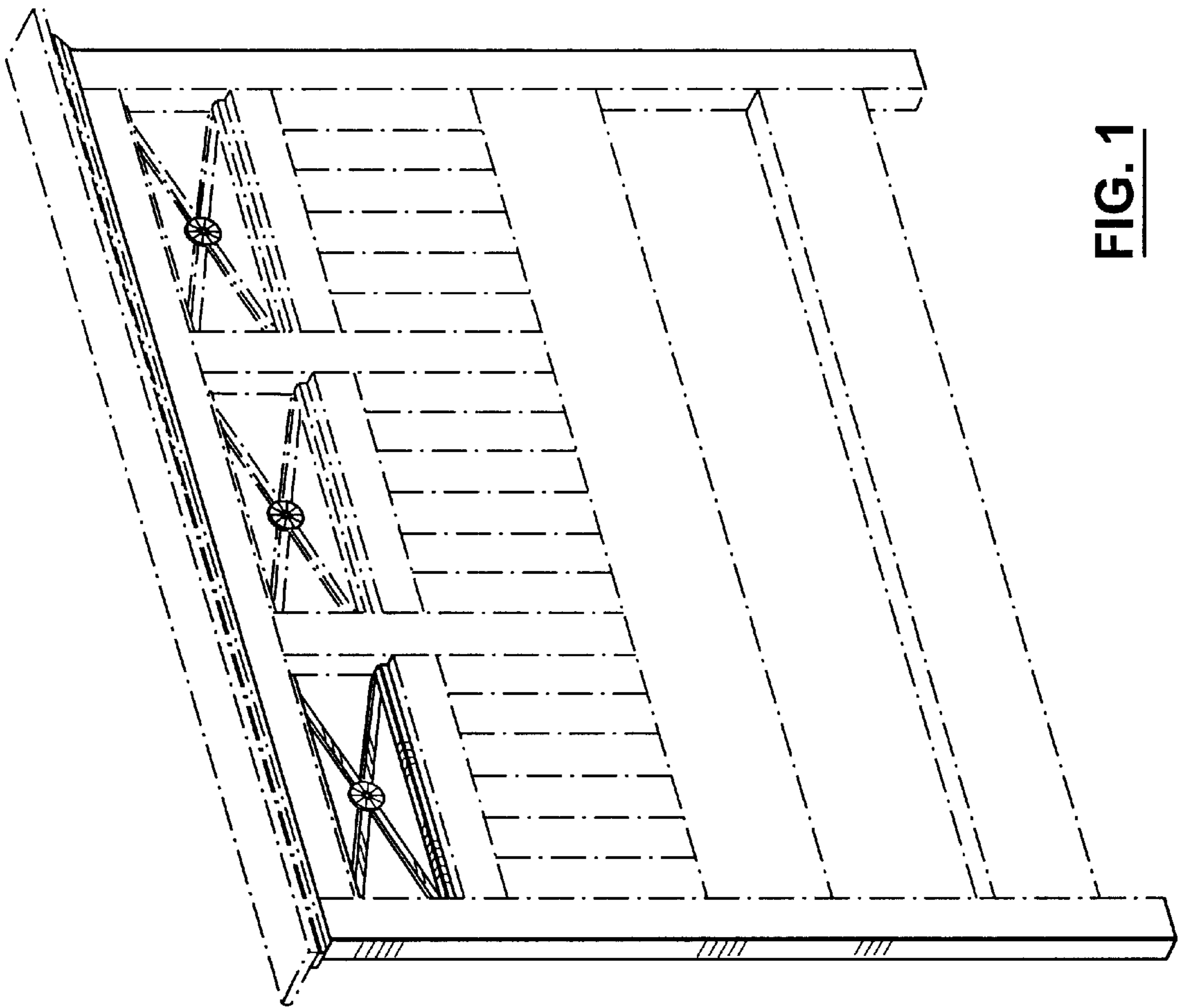
FIG. 9 is a top view of the bed board of FIG. 1; and,

FIG. 10 is a bottom view of the bed board of FIG. 1.

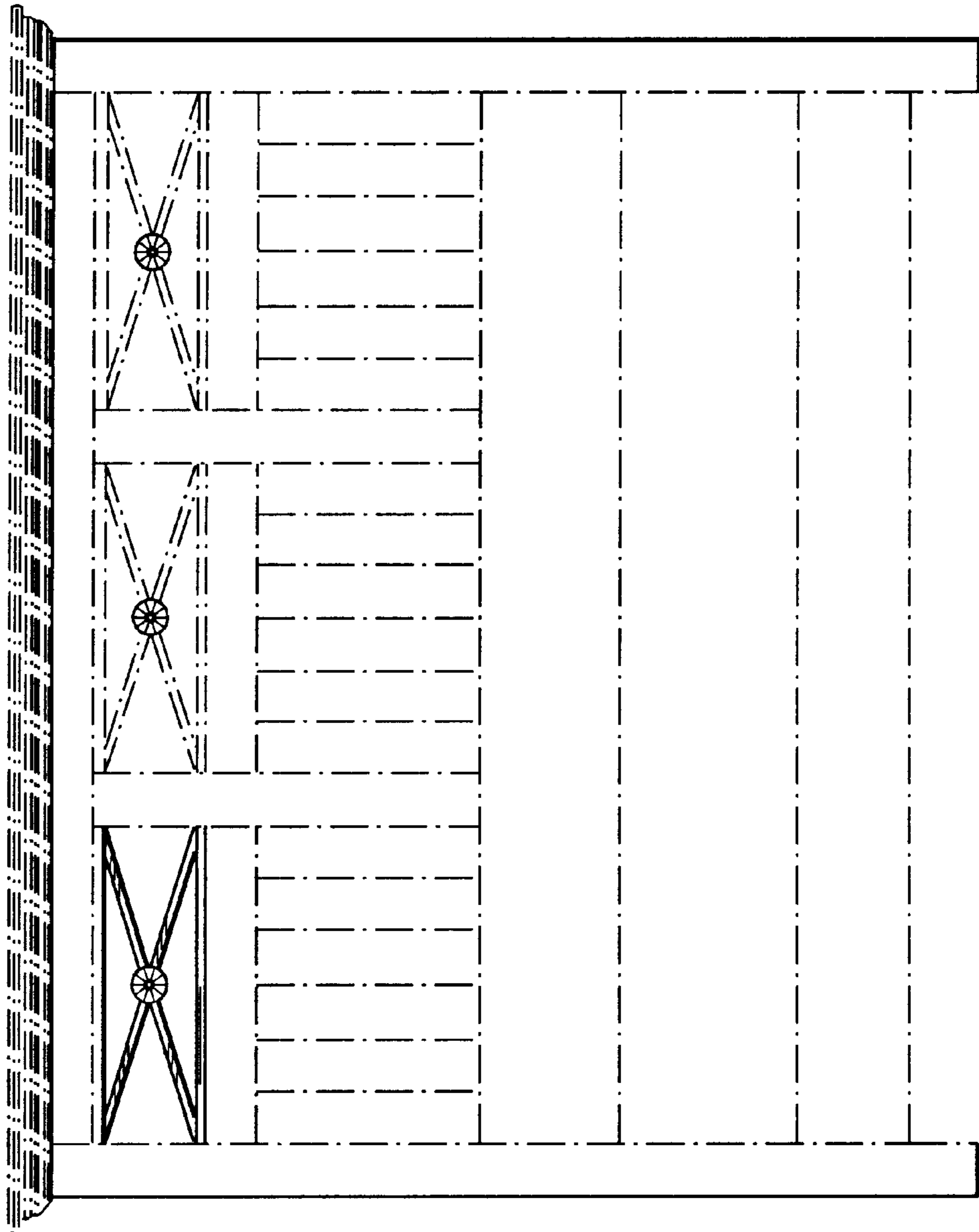
The features shown in broken outline are not part of the claimed design.

**1 Claim, 5 Drawing Sheets**

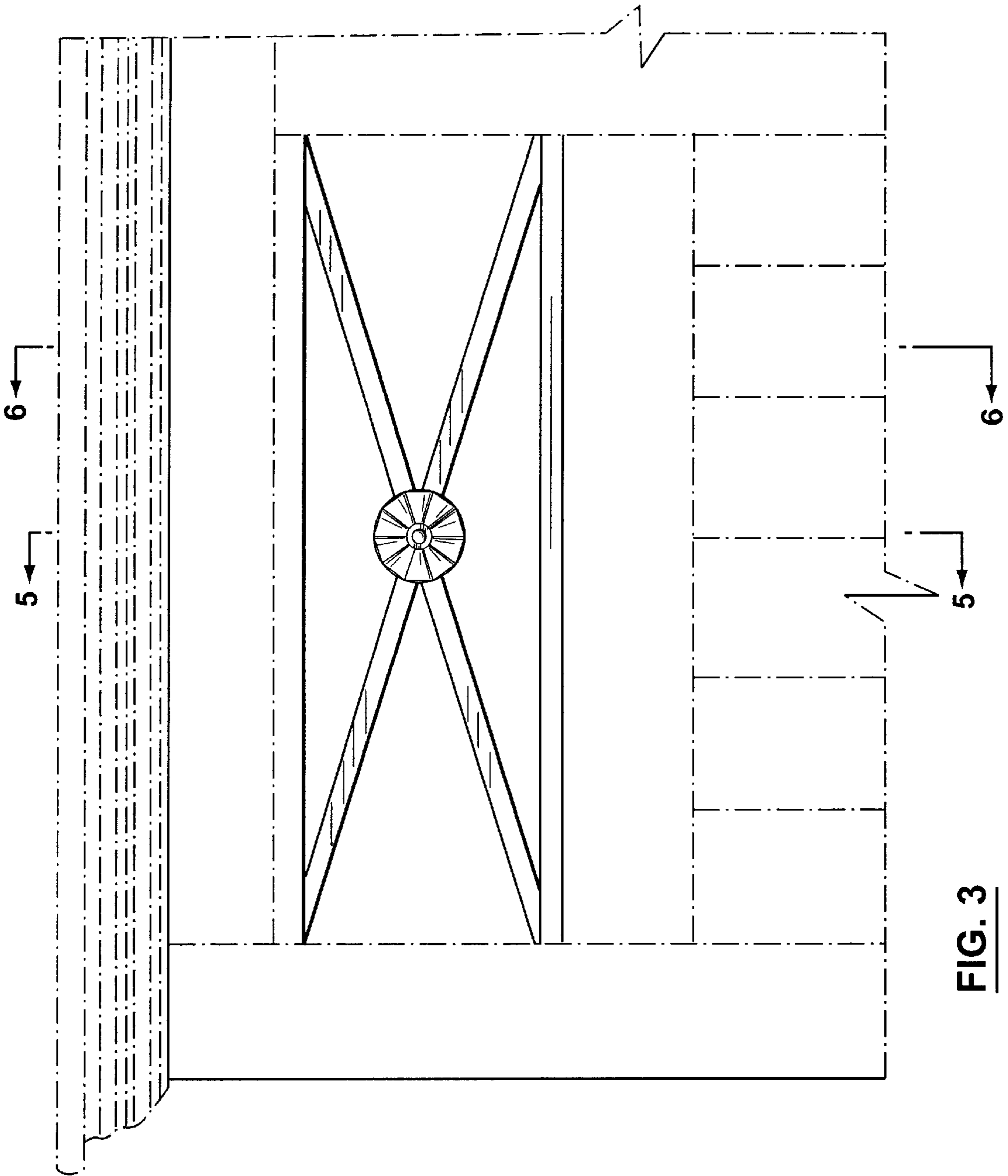




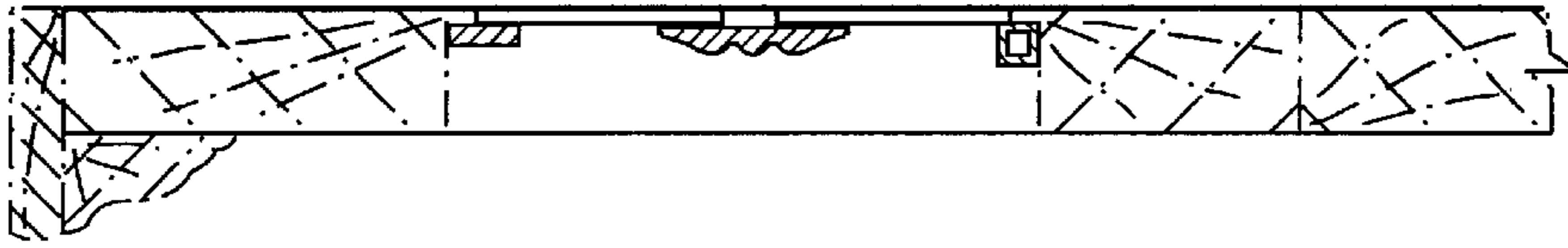
**FIG. 1**



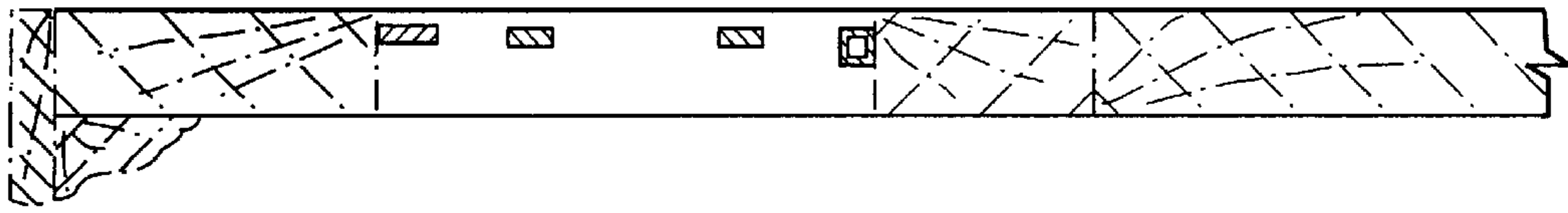
**FIG. 2**



**FIG. 3**



**FIG. 5**



**FIG. 6**

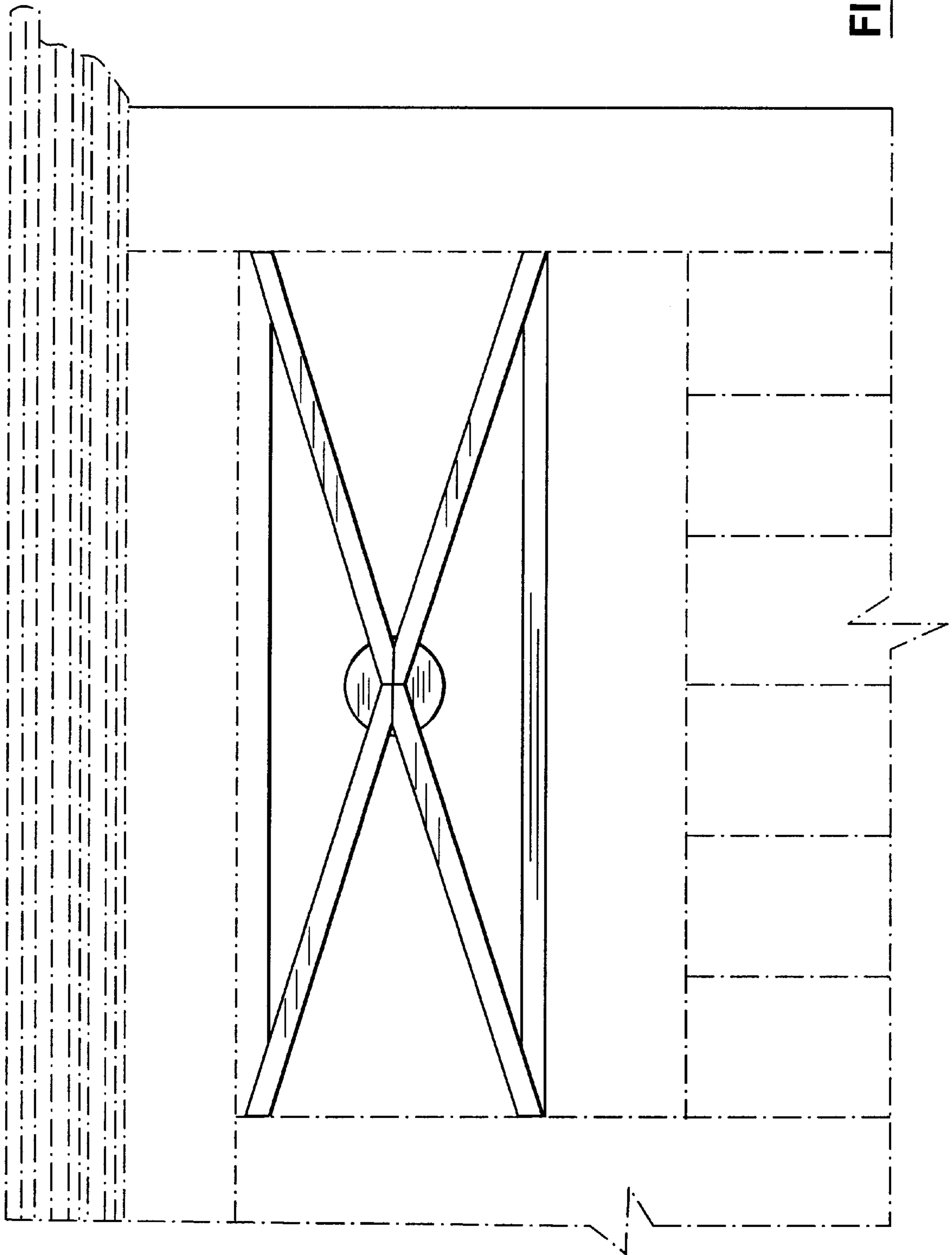


FIG. 4



FIG. 7

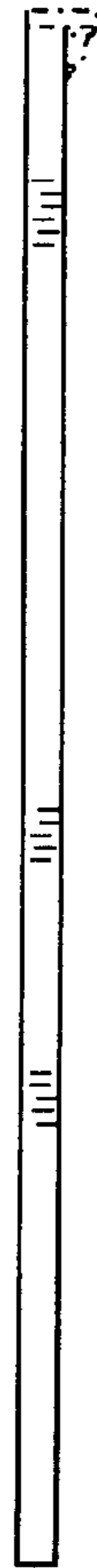


FIG. 8

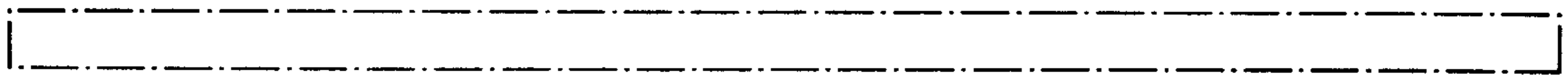


FIG. 9

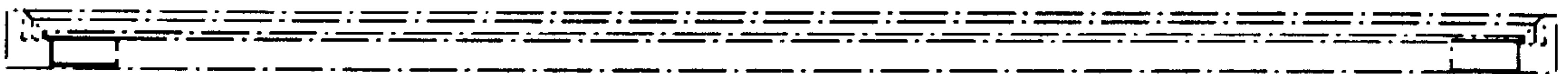


FIG. 10