

US00D466728S

(12) **United States Design Patent**  
**Cain**

(10) **Patent No.:** **US D466,728 S**

(45) **Date of Patent:** **\*\* Dec. 10, 2002**

(54) **TABLE**

(75) Inventor: **Charles C. Cain**, High Point, NC (US)

(73) Assignee: **Thomasville Furniture Industries, Inc.**, Thomasville, NC (US)

(\*\*) Term: **14 Years**

(21) Appl. No.: **29/152,264**

(22) Filed: **Dec. 12, 2001**

(51) **LOC (7) Cl.** ..... **06-03**

(52) **U.S. Cl.** ..... **D6/488**

(58) **Field of Search** ..... D6/480-489, 495-499,  
D6/477, 479; 108/153.1, 156, 157, 161;  
248/188, 188.1, 188.7, 188.8, 188.9

(56) **References Cited**

**U.S. PATENT DOCUMENTS**

D93,059 S	*	8/1934	Walker	.....	D6/477
D400,741 S	*	11/1998	Schubert	.....	D6/488
D406,969 S	*	3/1999	Lewis	.....	D6/484
D433,849 S		11/2000	Walters, III	.....	D6/484
D449,184 S		10/2001	Cain	.....	D5/477
D457,356 S	*	5/2002	Wistehuff, Sr.	.....	D6/477

**OTHER PUBLICATIONS**

Imperial Tables, Feb. 3, 1958, p. 14, #626 table at top left.\*  
Round End Table, Visaya Collection brochure, Thomasville  
Furniture Industries, Inc., p. 24, 2001.

Oval Book Table, River Roads Collection brochure, Tho-  
masville Furniture Industries, Inc., p. 27, 2001.

\* cited by examiner

*Primary Examiner*—Janice E. Seeger

(74) *Attorney, Agent, or Firm*—Womble Carlyle Sandridge  
& Rice, PLLC

(57) **CLAIM**

The ornamental design for a table, as shown and described.

**DESCRIPTION**

FIG. 1 is a perspective view of a table showing my new  
design;

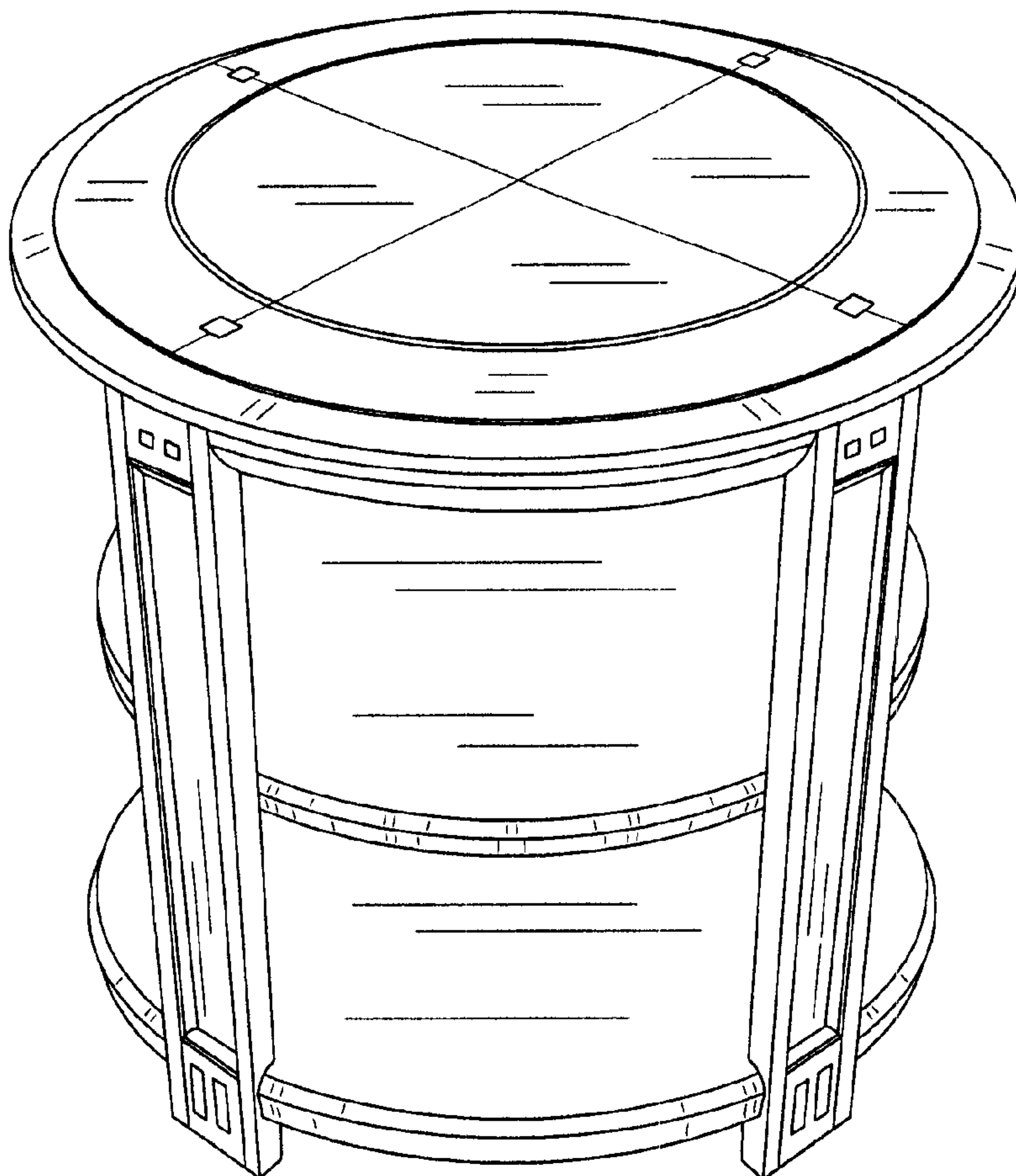
FIG. 2 is a side elevational view, the opposite side being a  
mirror image thereof;

FIG. 3 is a post forward side elevational view, the opposite  
side being a mirror image thereof; and,

FIG. 4 is a top view thereof.

The bottom view of the table is not shown and forms no part  
of the claimed design.

**1 Claim, 4 Drawing Sheets**



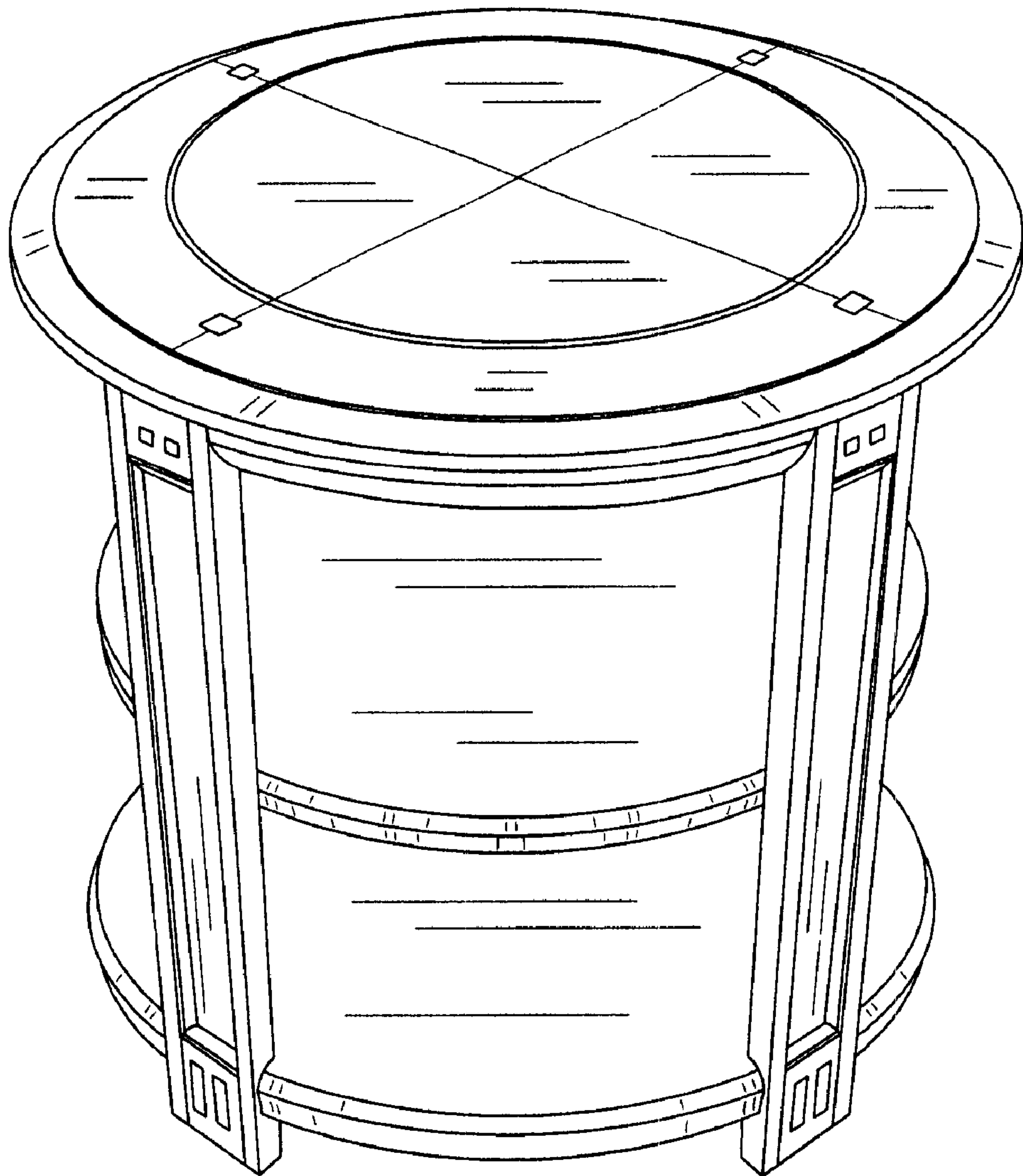


FIG. 1

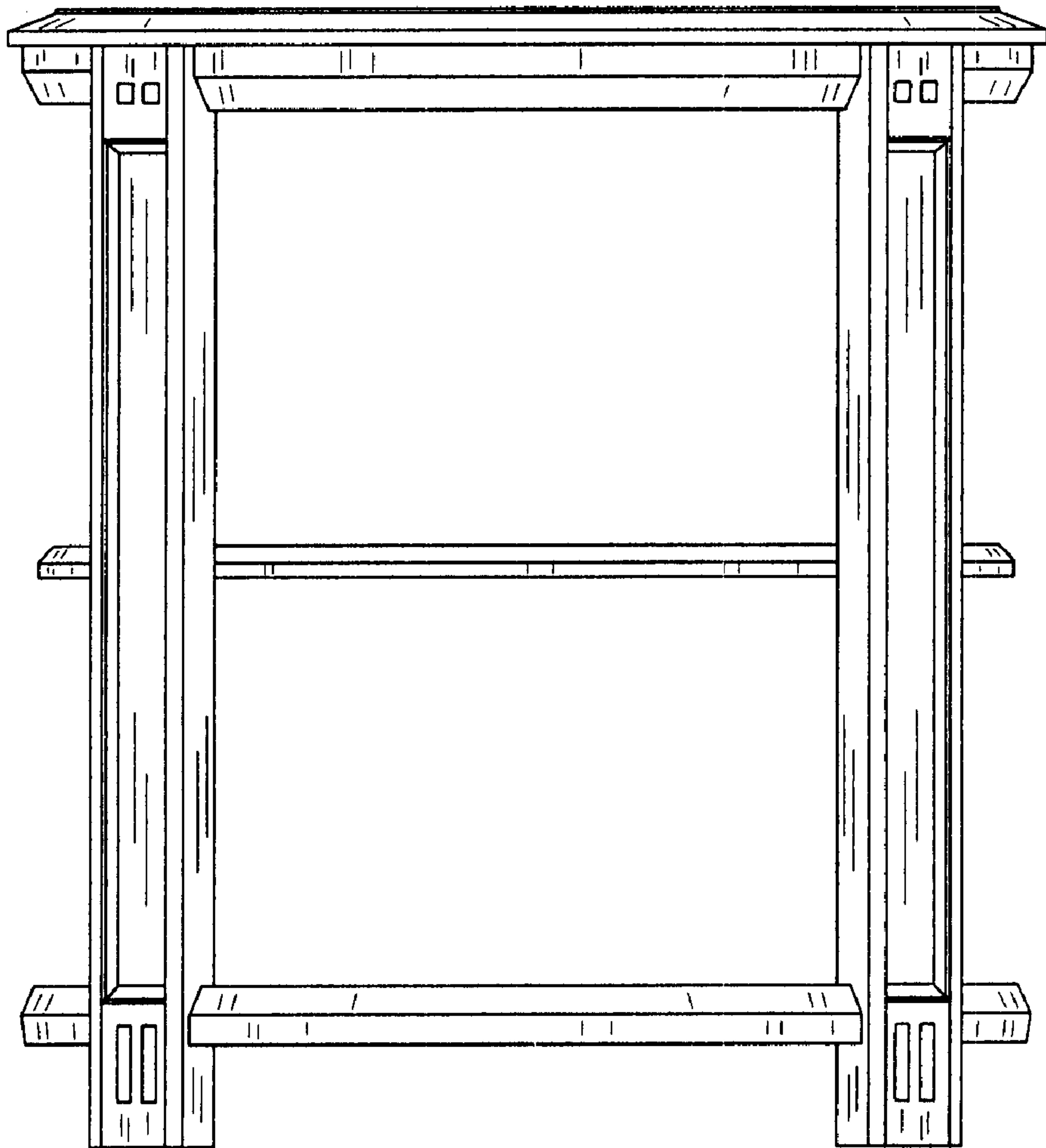


FIG. 2

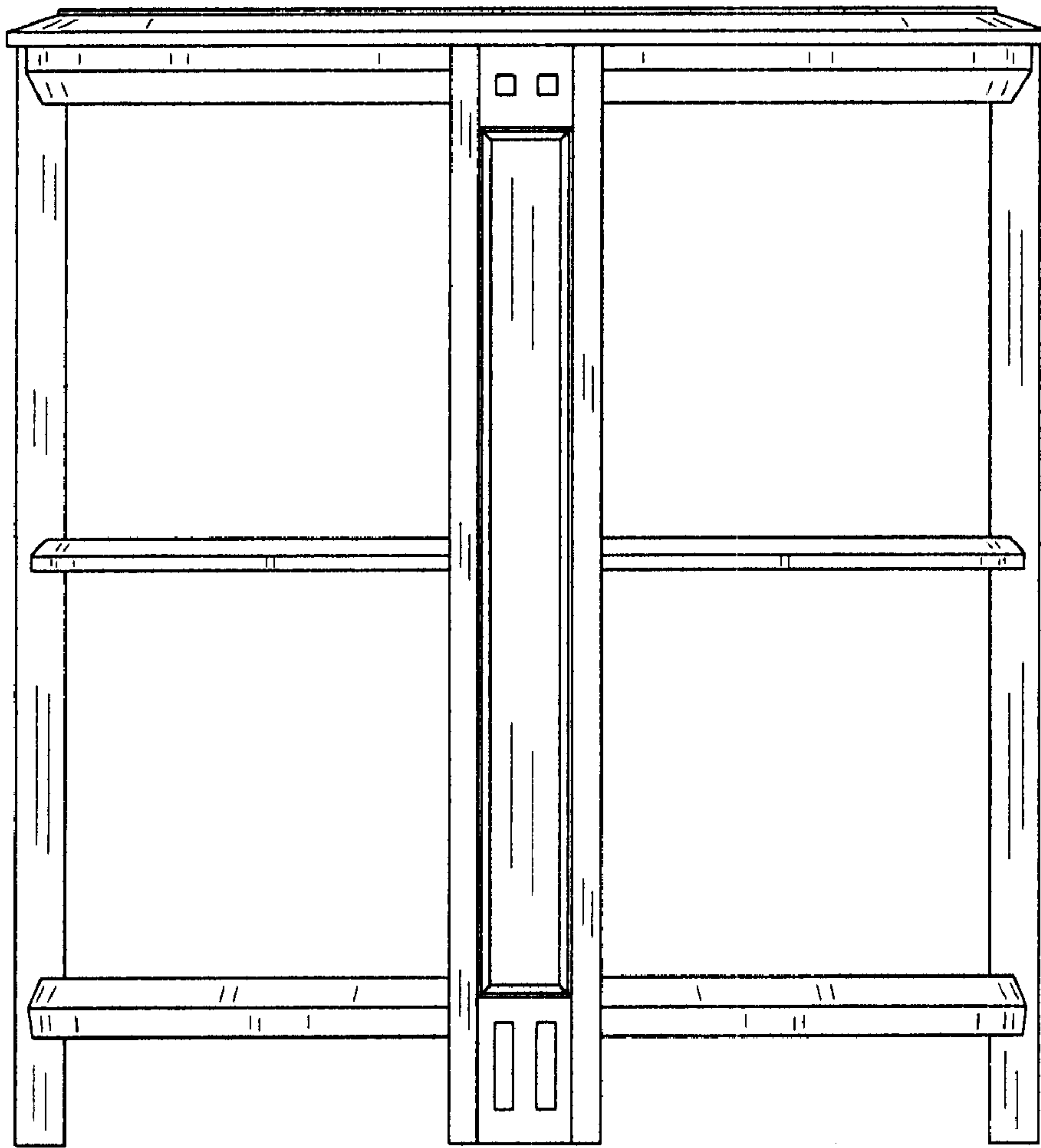


FIG. 3

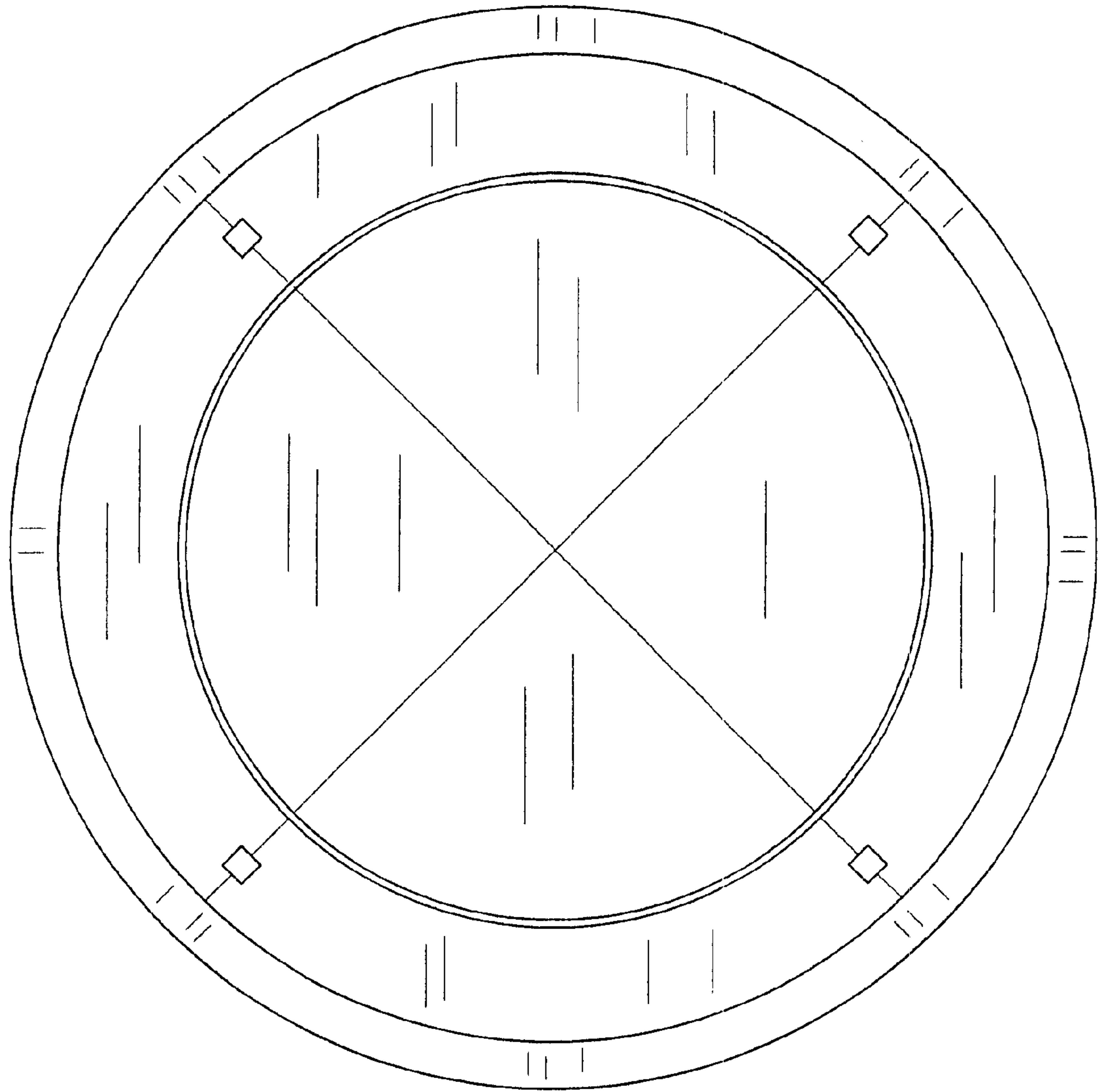


FIG. 4