



US00D466727S

(12) **United States Design Patent**  
Abboud et al.

(10) **Patent No.:** **US D466,727 S**

(45) **Date of Patent:** **\*\* Dec. 10, 2002**

(54) **TABLETOP ENCLOSURE FOR VIDEO MONITOR AND PERIPHERALS**

(75) Inventors: **Joseph Abboud**, Omaha, NE (US);  
**Courtney Donnell**, Omaha, NE (US)

(73) Assignee: **CatEye9, LLC**, Omaha, NE (US)

(\*\*) Term: **14 Years**

(21) Appl. No.: **29/138,017**

(22) Filed: **Mar. 2, 2001**

**Related U.S. Application Data**

(63) Continuation-in-part of application No. 29/114,027, filed on Nov. 17, 1999, now Pat. No. Des. 451,301.

(51) **LOC (7) Cl.** ..... **06-03**

(52) **U.S. Cl.** ..... **D6/486**

(58) **Field of Search** ..... D6/480-489, 495,  
D6/429, 430, 422, 424; 108/150, 151, 153.1,  
155, 156, 157.1, 161, 50.01, 50.02; 248/188,  
188.1; 312/208.1

(56) **References Cited**

**U.S. PATENT DOCUMENTS**

D329,554 S \* 9/1992 Diffrient ..... D6/486  
5,806,943 A \* 9/1998 Dell et al. .... 312/223.3  
D432,809 S \* 10/2000 Hewitt ..... D6/396  
D451,301 S \* 12/2001 Abboud et al. .... D6/422

\* cited by examiner

*Primary Examiner*—Janice E. Seeger

(74) *Attorney, Agent, or Firm*—Darby & Darby

(57) **CLAIM**

The ornamental design for a tabletop enclosure for video monitor and peripherals, as shown and described.

**DESCRIPTION**

FIG. 1 is a perspective view of a tabletop enclosure for video monitor and peripherals, showing our new design; FIG. 2 is an alternate perspective view; and, FIG. 3 is a perspective view showing an alternate embodiment of our new design.

**1 Claim, 3 Drawing Sheets**

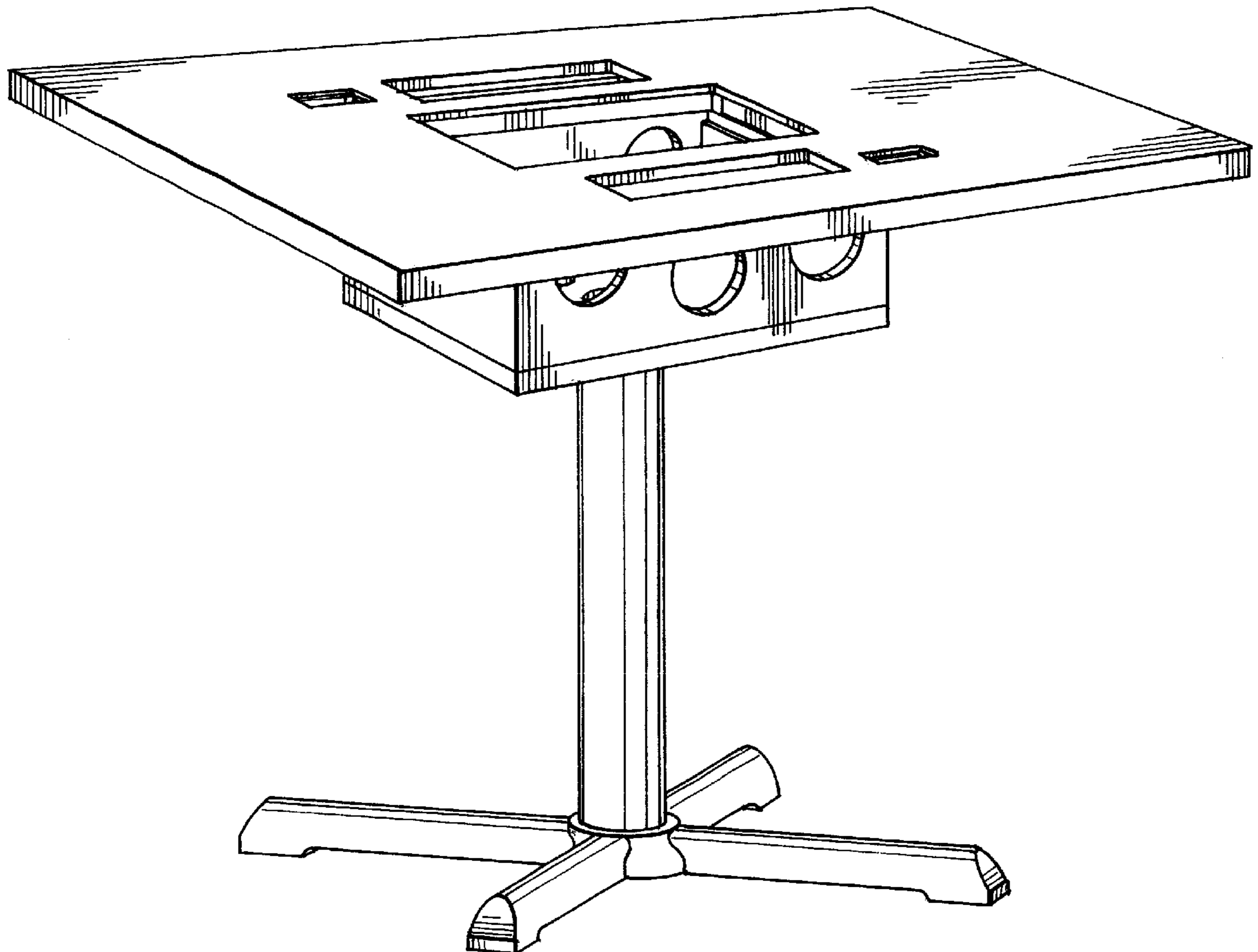


FIG. 1

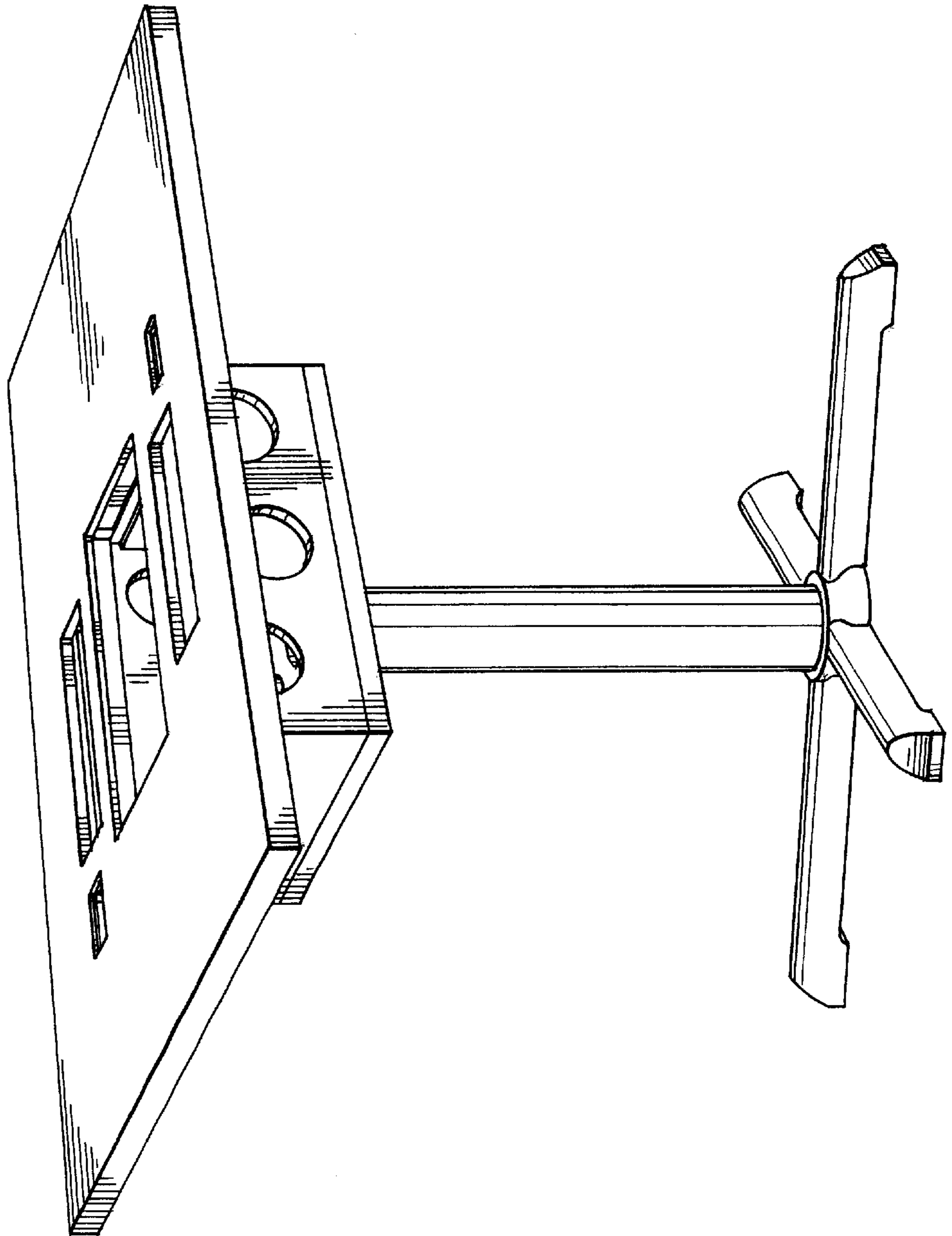


FIG. 2

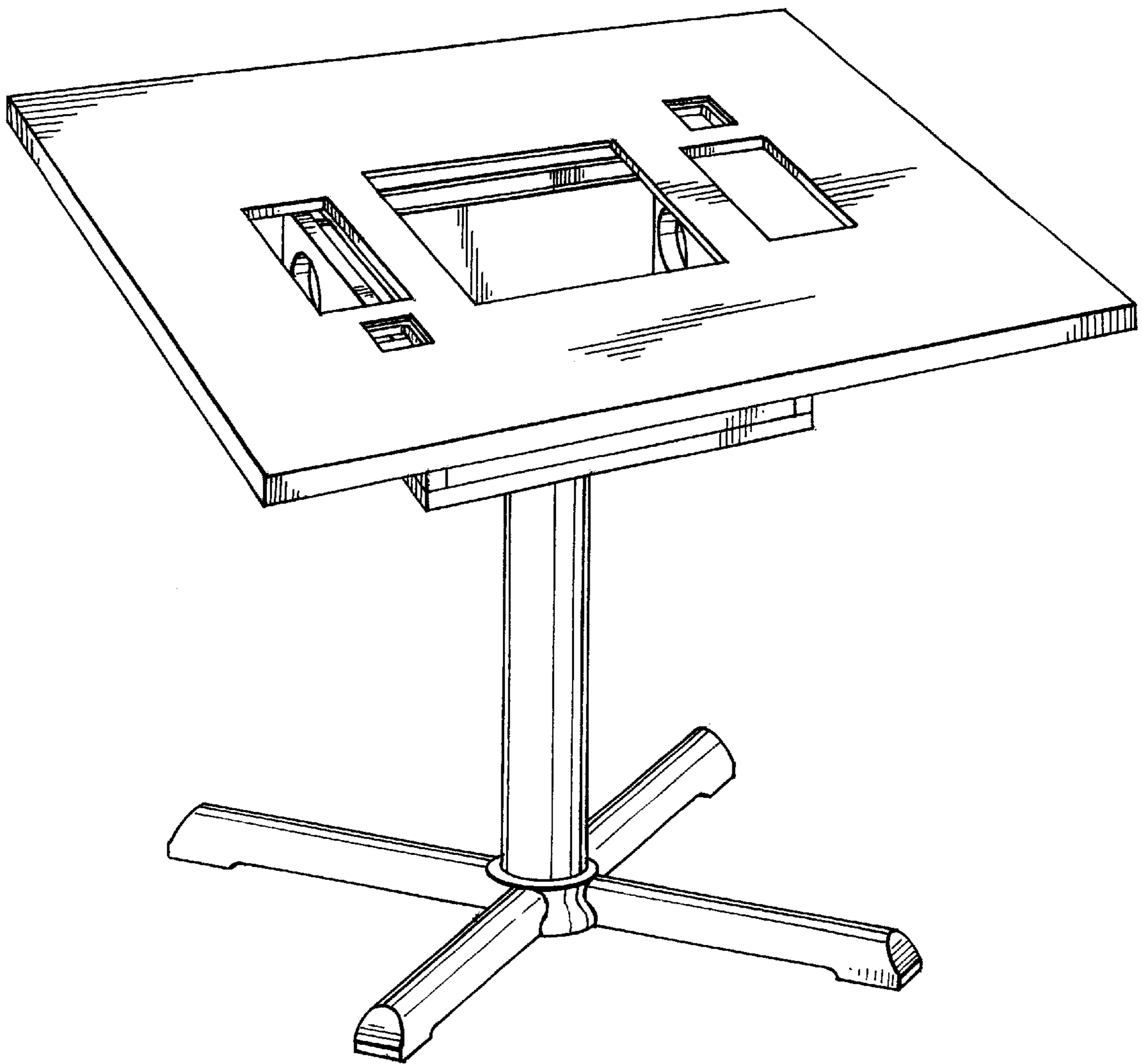


FIG. 3

