



US00D466726S

(12) **United States Design Patent**
Heil

(10) **Patent No.:** **US D466,726 S**

(45) **Date of Patent:** **** Dec. 10, 2002**

(54) **COFFEE TABLE**

D390,047 S * 2/1998 Cambra D6/451
D443,443 S * 6/2001 Welke D6/497

(76) Inventor: **Charles Heil**, 2380 Hopewell, Elverson,
PA (US) 19520

* cited by examiner

(**) Term: **14 Years**

Primary Examiner—Janice E. Seeger

(74) *Attorney, Agent, or Firm*—Goldstein & Lavas, P.C.

(21) Appl. No.: **29/152,016**

(57) **CLAIM**

(22) Filed: **Dec. 12, 2001**

The ornamental design for a coffee table, as shown and described.

(51) **LOC (7) Cl.** **06-03**

(52) **U.S. Cl.** **D6/451**

(58) **Field of Search** D6/480–489, 495–499,
D6/451, 450; D15/3; D12/114; 108/150,
153.1, 156, 157.1, 161; 248/188, 188.1,
188.7

DESCRIPTION

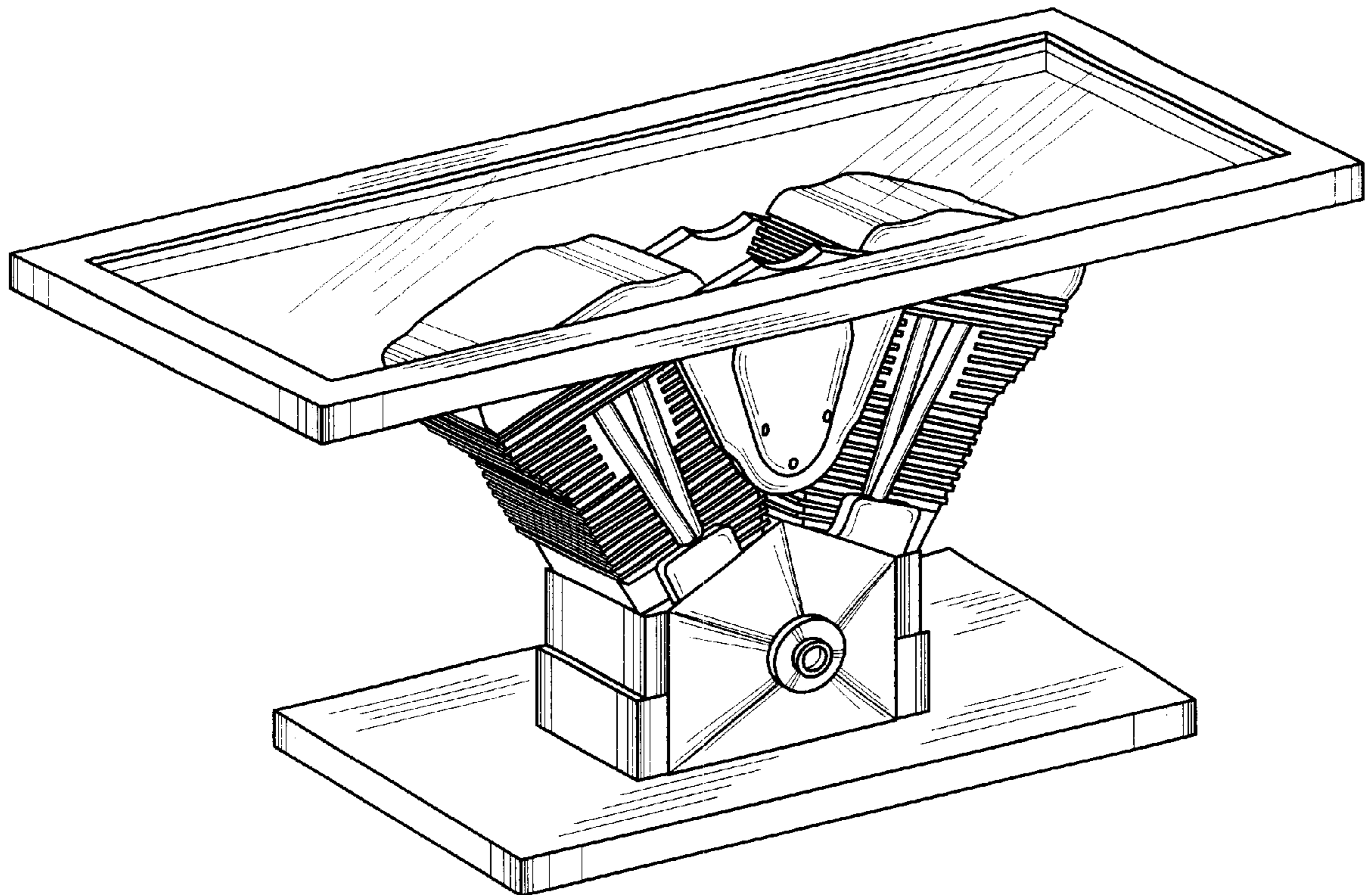
FIG. 1 is a perspective view of a coffee table.
FIG. 2 is a left side elevational view thereof.
FIG. 3 is a right side elevational view thereof.
FIG. 4 is a front elevational view thereof.
FIG. 5 is a rear elevational view thereof.
FIG. 6 is a top plan view of the coffee table; and,
FIG. 7 is a bottom plan view thereof.

(56) **References Cited**

U.S. PATENT DOCUMENTS

D277,756 S * 2/1985 Davidson D15/1
D294,264 S * 2/1988 Davidson et al. D15/3

1 Claim, 4 Drawing Sheets



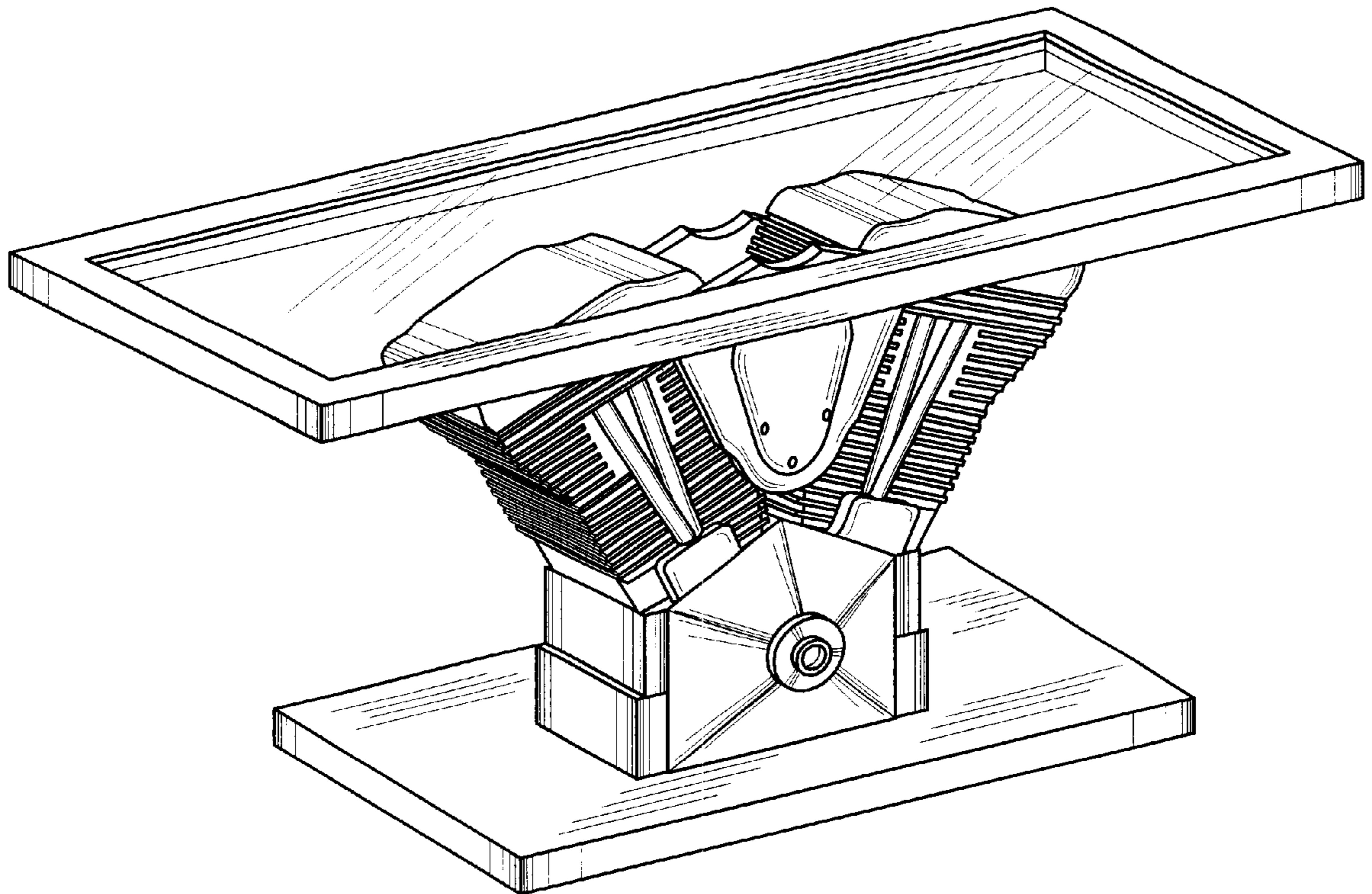


FIG. 1

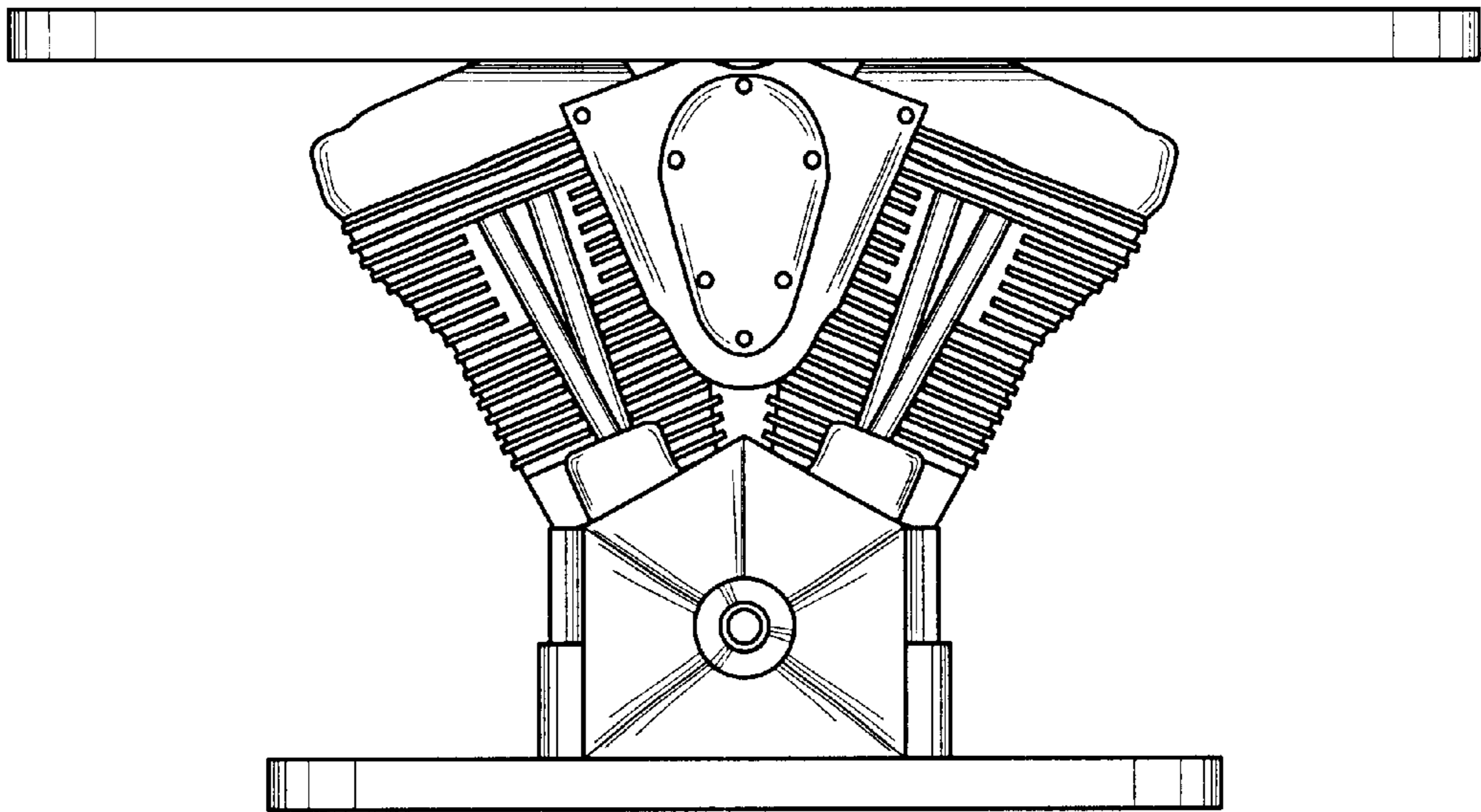


FIG. 2

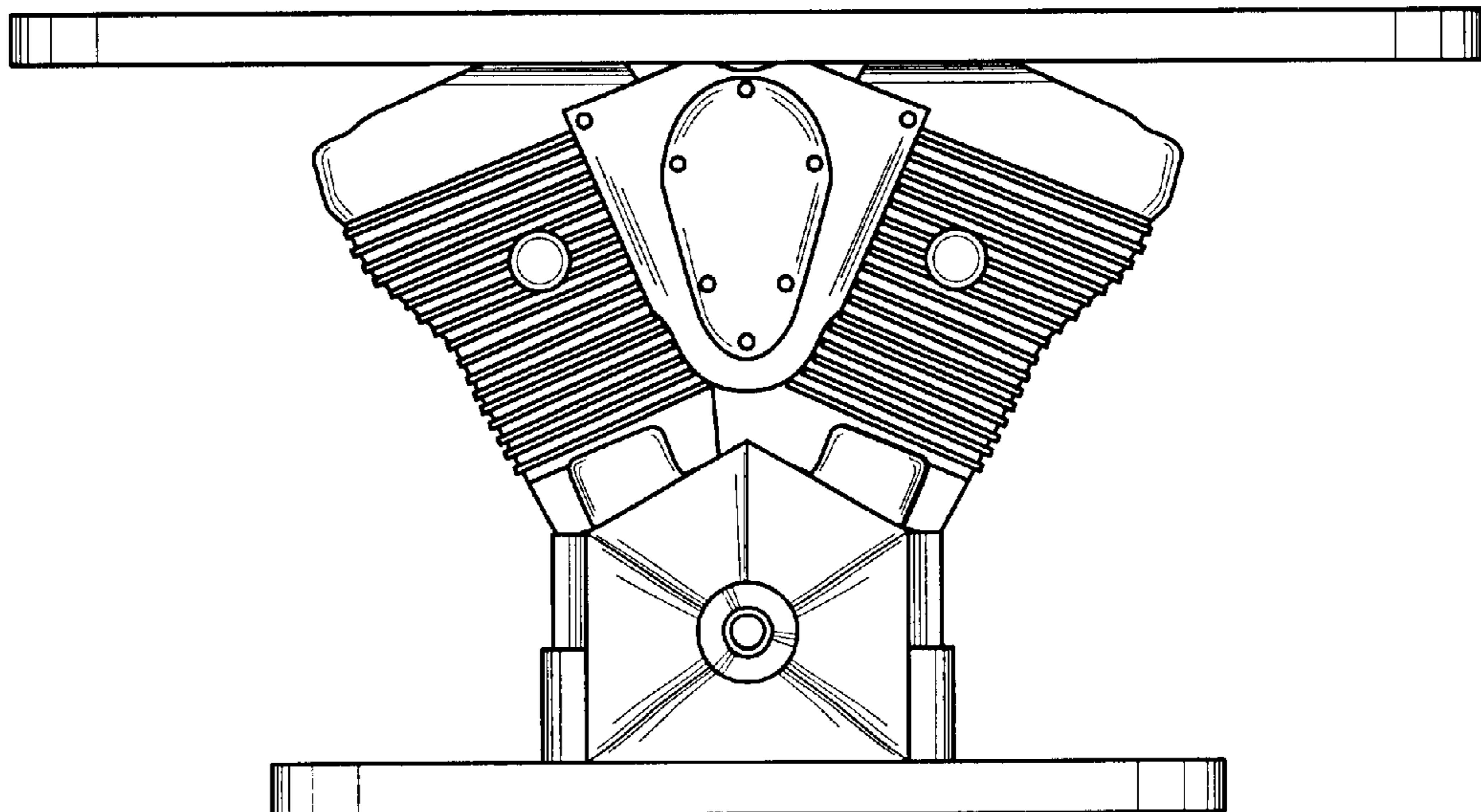


FIG. 3

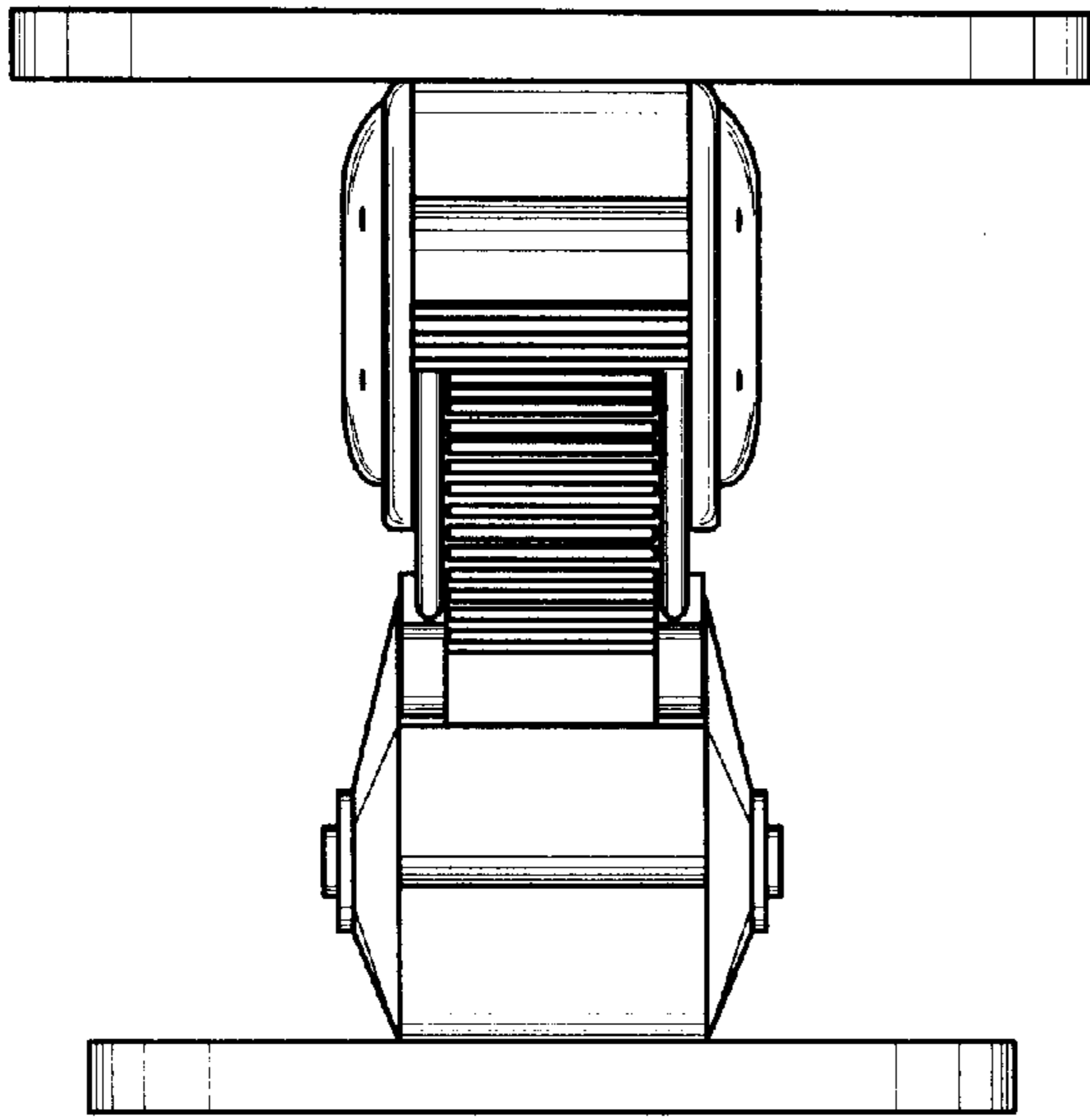


FIG. 4

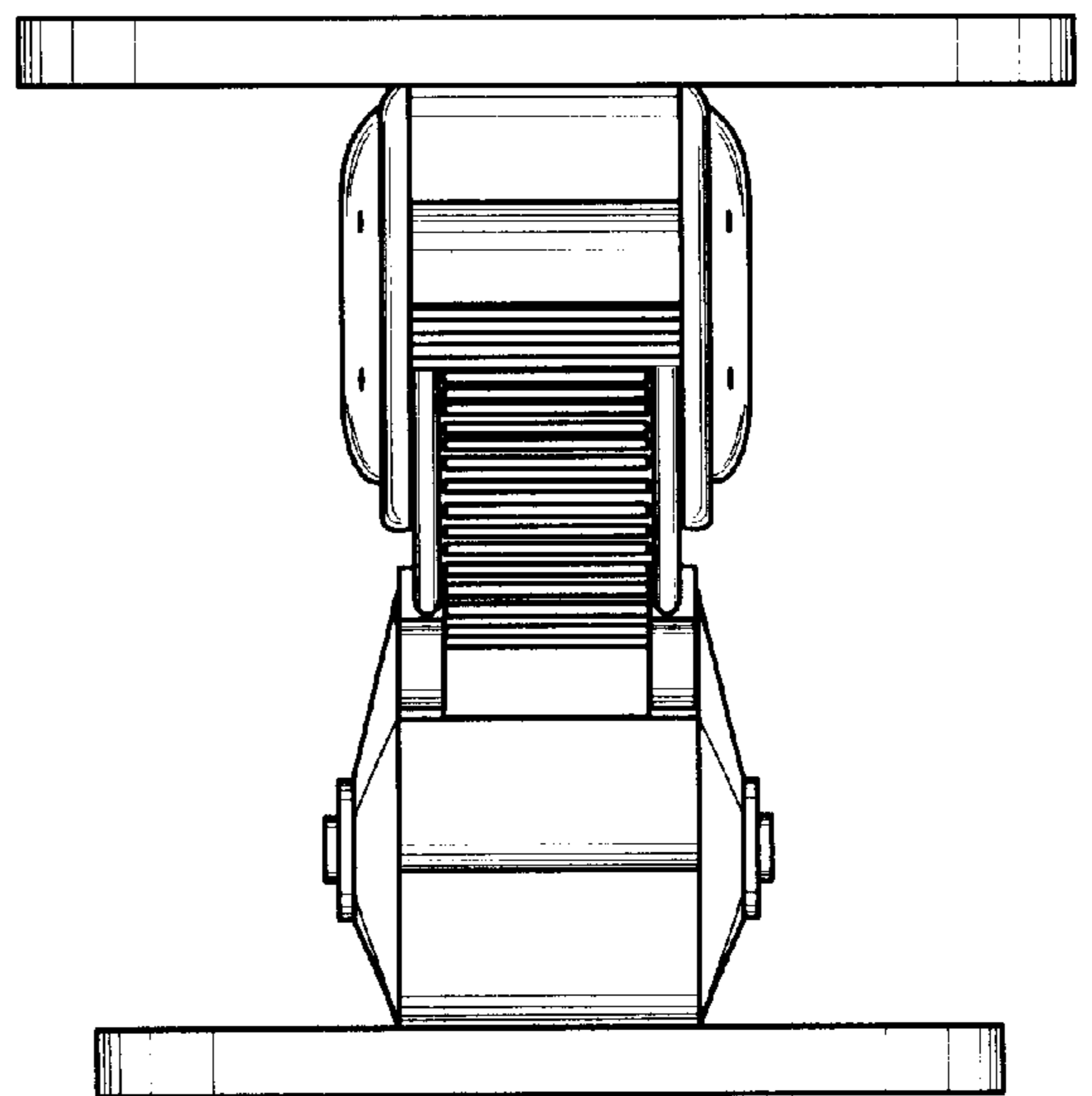


FIG. 5

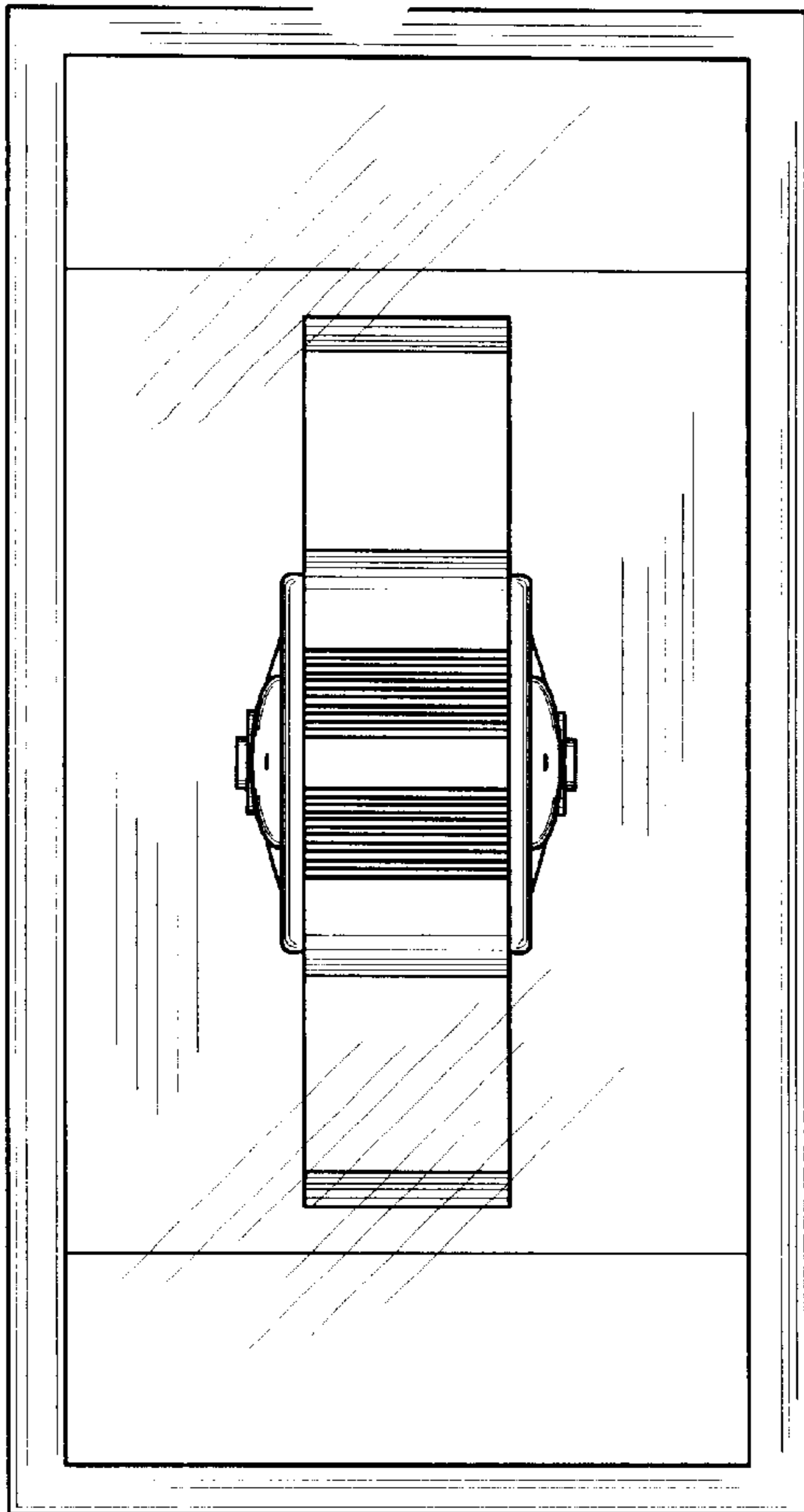


FIG. 6

FIG. 7

