

US00D466725S

(12) **United States Design Patent**
Masciale

(10) **Patent No.:** **US D466,725 S**

(45) **Date of Patent:** **** Dec. 10, 2002**

(54) **APPLIANCE PEDESTAL**

(76) Inventor: **Frank Masciale**, 260 Hunters Cove Dr.,
Mead, CO (US) 80542

(**) Term: **14 Years**

(21) Appl. No.: **29/154,987**

(22) Filed: **Feb. 1, 2002**

(51) **LOC (7) Cl.** **06-04**

(52) **U.S. Cl.** **D6/449; D34/38**

(58) **Field of Search** D6/310–312, 328,
D6/329, 396, 408, 419, 420, 429, 449,
462, 465–467, 471, 474, 491–495, 509–511;
D11/164; 211/13.1, 70.6, 72, 73, 78, 85,
135, 181.1, 182, 49.1, 132.1, 149; 248/371,
349.1, 923, 183.2, 921, 176.1, 678, 174,
175, 917, 919

(56) **References Cited**

U.S. PATENT DOCUMENTS

D206,999 S	*	2/1967	Michaeli	D34/23
4,243,197 A	*	1/1981	Wright	248/678
D274,878 S	*	7/1984	Kates	D6/511
D289,864 S	*	5/1987	Pecoff	D11/164
D313,099 S	*	12/1990	Tasley	D34/23 X
D334,184 S	*	3/1993	Weaver et al.	D14/114
D340,446 S	*	10/1993	Dalesandro	D6/466 X
D395,117 S	*	6/1998	Persson	D34/38
6,032,912 A	*	3/2000	Korn et al.	211/72 X
D430,218 S	*	8/2000	Godwin et al.	D20/10
D446,052 S	*	8/2001	Bourne	D6/462
D459,049 S	*	6/2002	Apps et al.	D34/38

* cited by examiner

Primary Examiner—Cathron C. Brooks

(74) *Attorney, Agent, or Firm*—Rick Martin; Patent Law
Offices of Rick Martin P.C.

(57) **CLAIM**

The ornamental design for an appliance pedestal, as shown
and described.

DESCRIPTION

FIG. 1 is a top side plan view of my new design for an
appliance pedestal, the preferred embodiment.

FIG. 2 is a bottom side plan view of the appliance pedestal
shown in FIG. 1.

FIG. 3 is a side plan view of the front and rear sides, which
are mirror images of each other, of the appliance pedestal
shown in FIG. 1.

FIG. 4 is a side plan view of the left and right sides, which
are mirror images of each other, of the appliance pedestal
shown in FIG. 1.

FIG. 5 is a top perspective view of the appliance pedestal
shown in FIG. 1.

FIG. 6 is a bottom perspective view of the appliance pedestal
shown in FIG. 1.

FIG. 7 is a top side plan view of an alternate embodiment of
the appliance pedestal for supporting two appliances.

FIG. 8 is a bottom side plan view of the appliance pedestal
shown in FIG. 7.

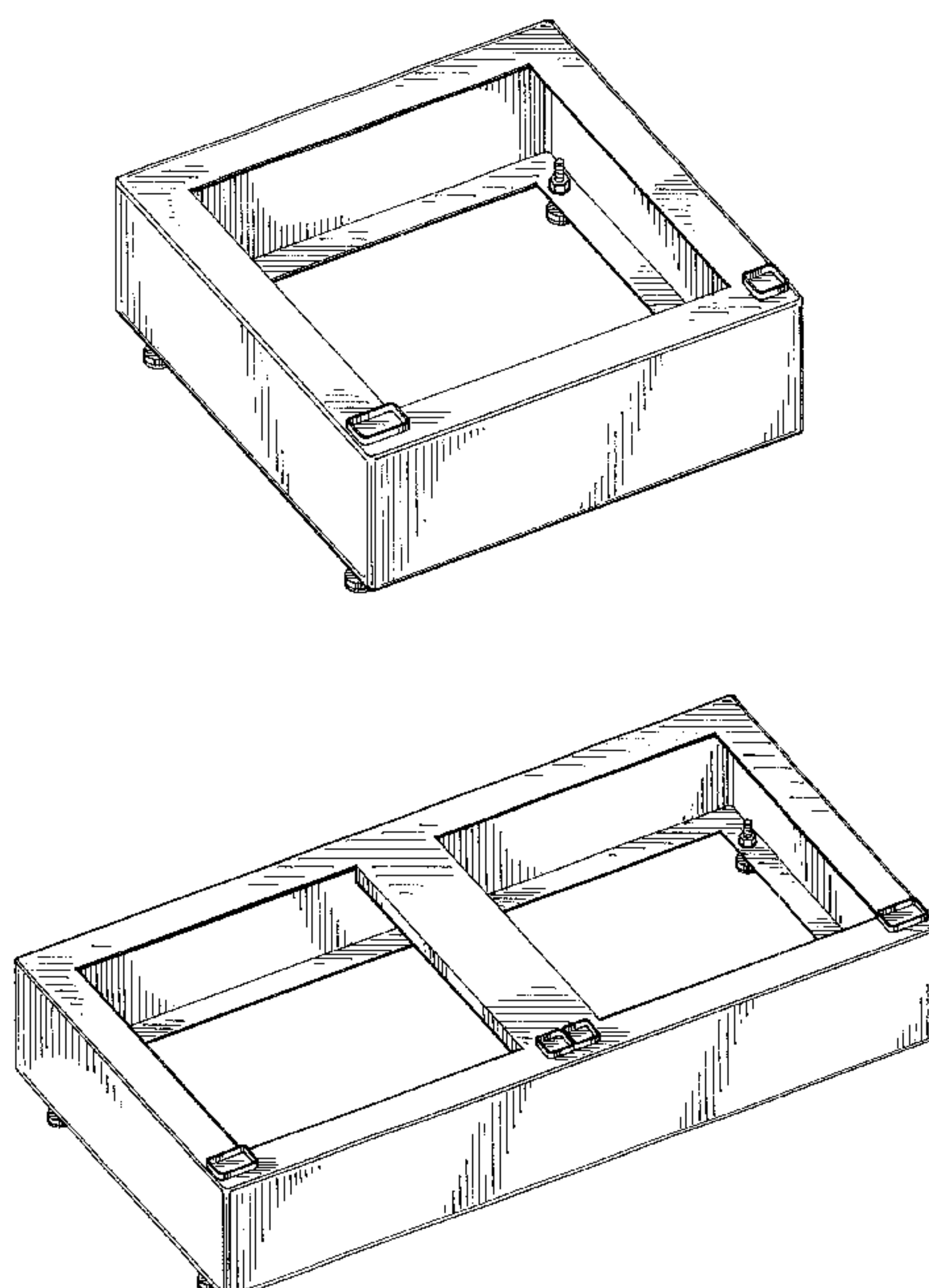
FIG. 9 is a side plan view of the front and rear sides, which
are mirror images of each other, of the appliance pedestal
shown in FIG. 7.

FIG. 10 is a side plan view of the left and right sides, which
are mirror images of each other, of the appliance pedestal
shown in FIG. 7.

FIG. 11 is a top perspective view of the appliance pedestal
shown in FIG. 7; and,

FIG. 12 is a bottom perspective view of the appliance
pedestal shown in FIG. 7.

1 Claim, 4 Drawing Sheets



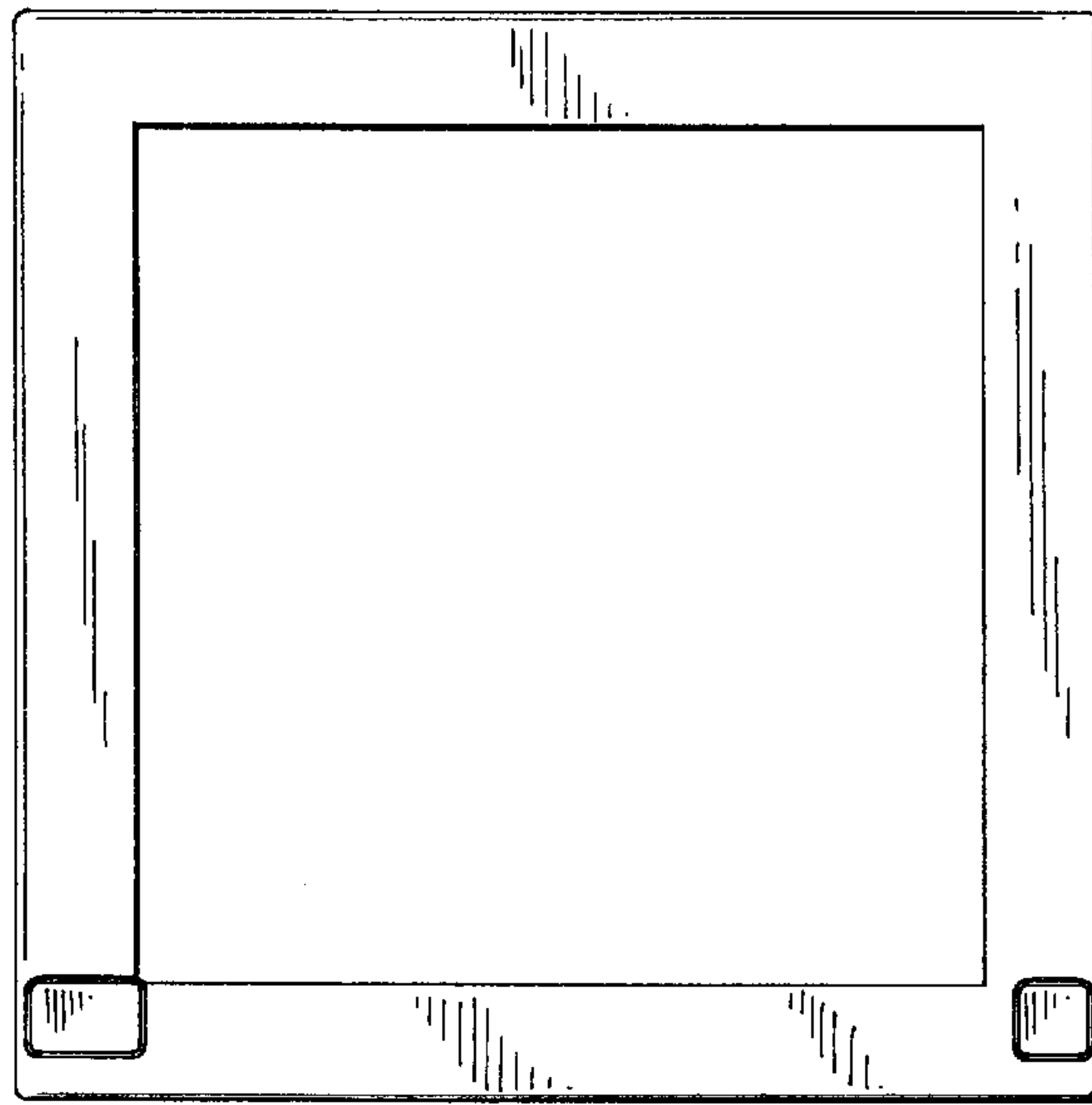


FIG. 1

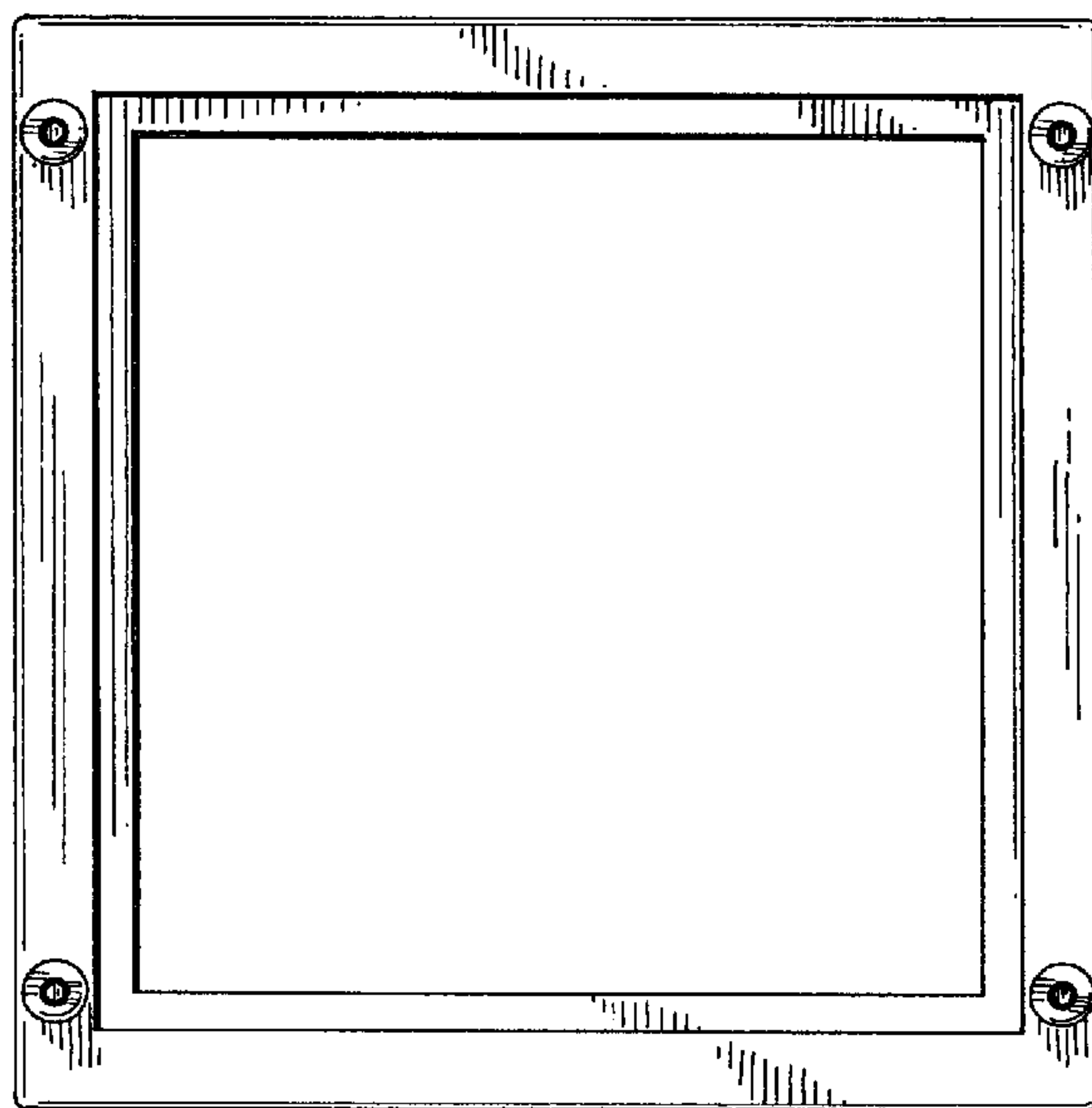


FIG. 2

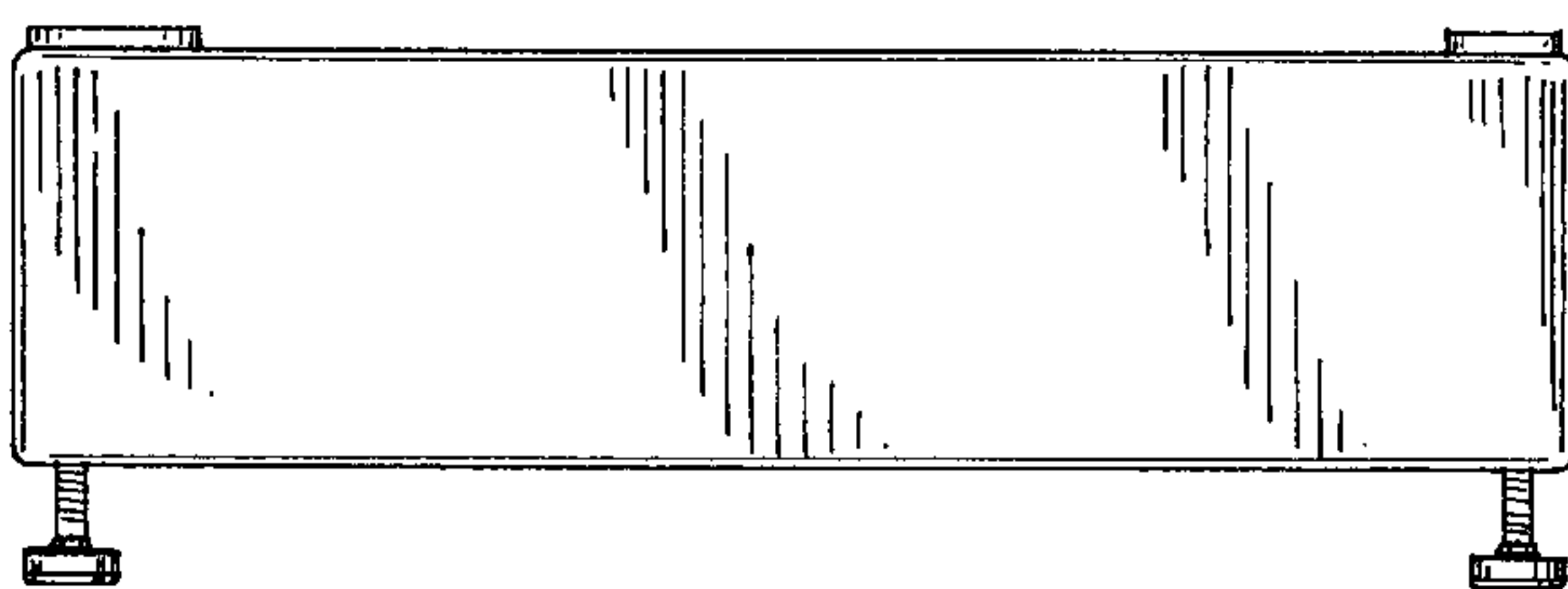


FIG. 3

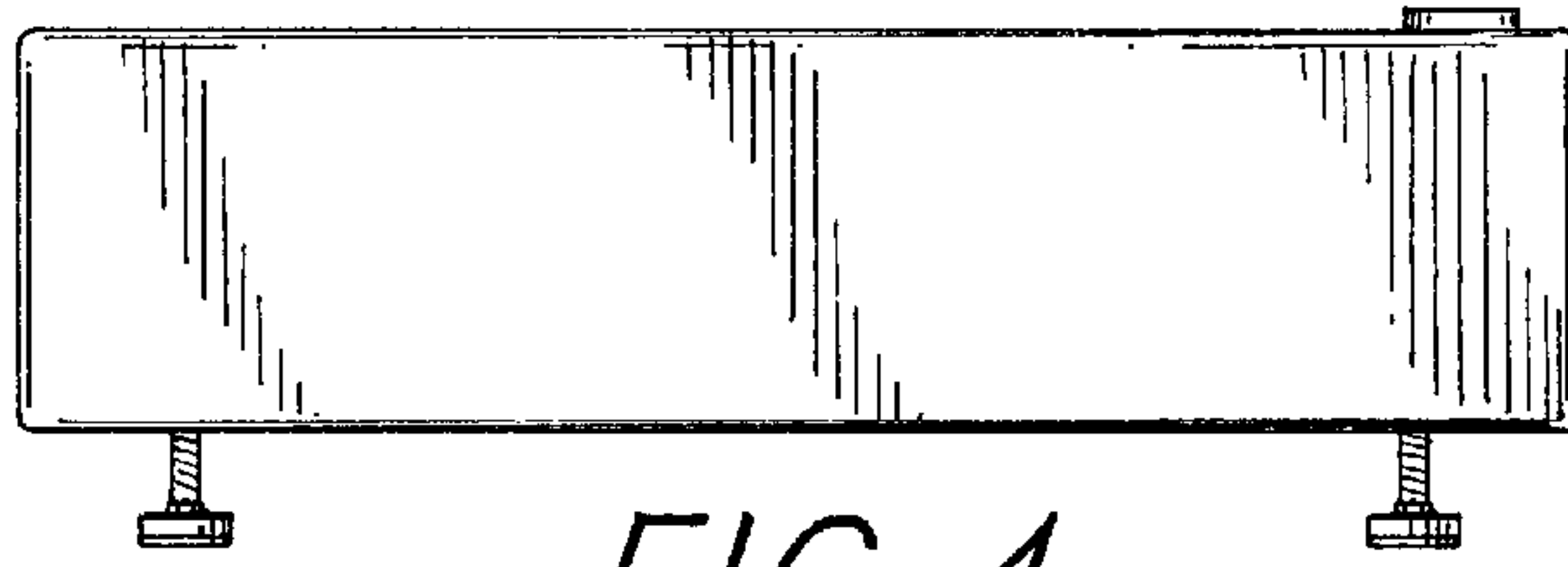


FIG. 4

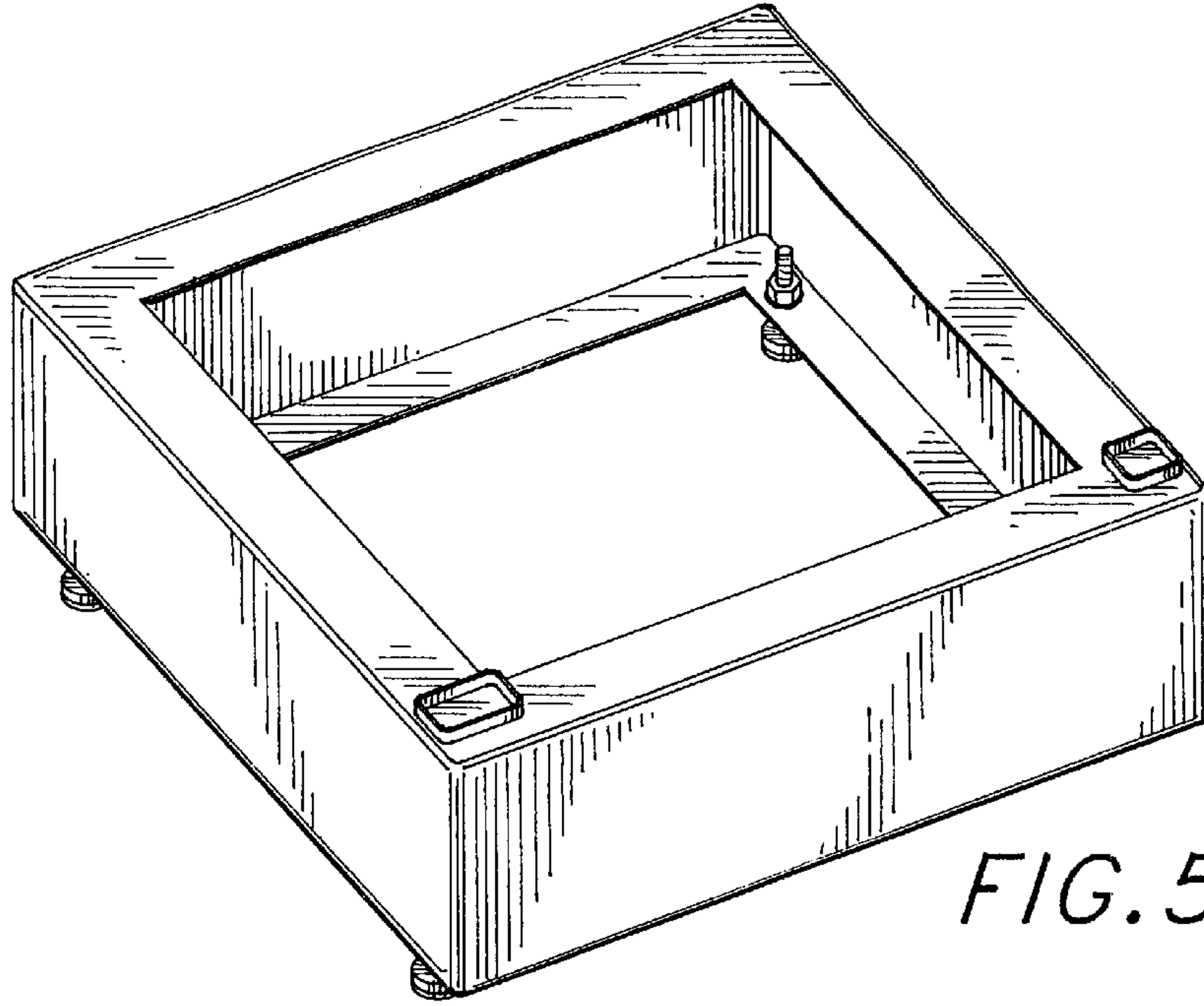


FIG. 5

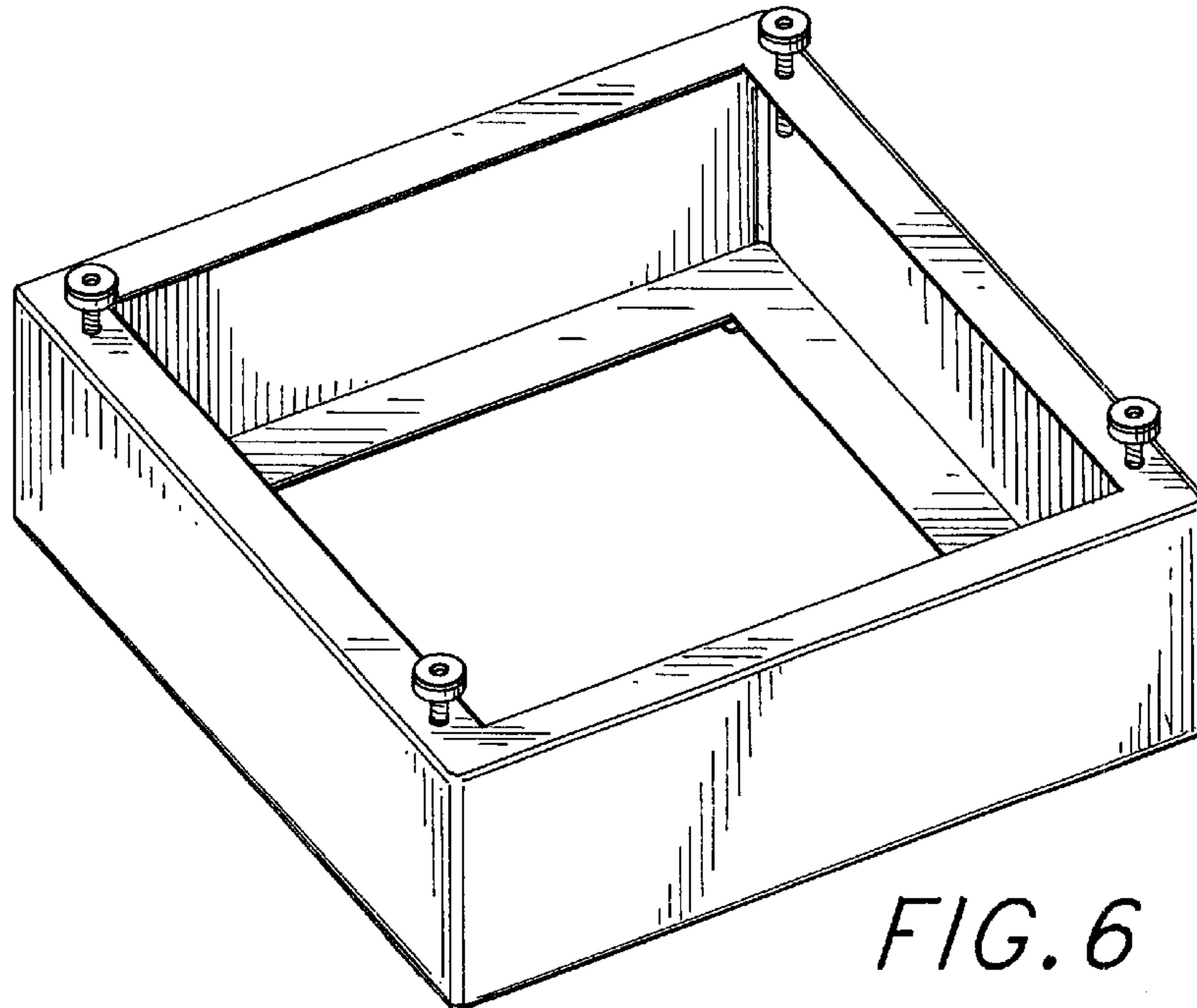


FIG. 6

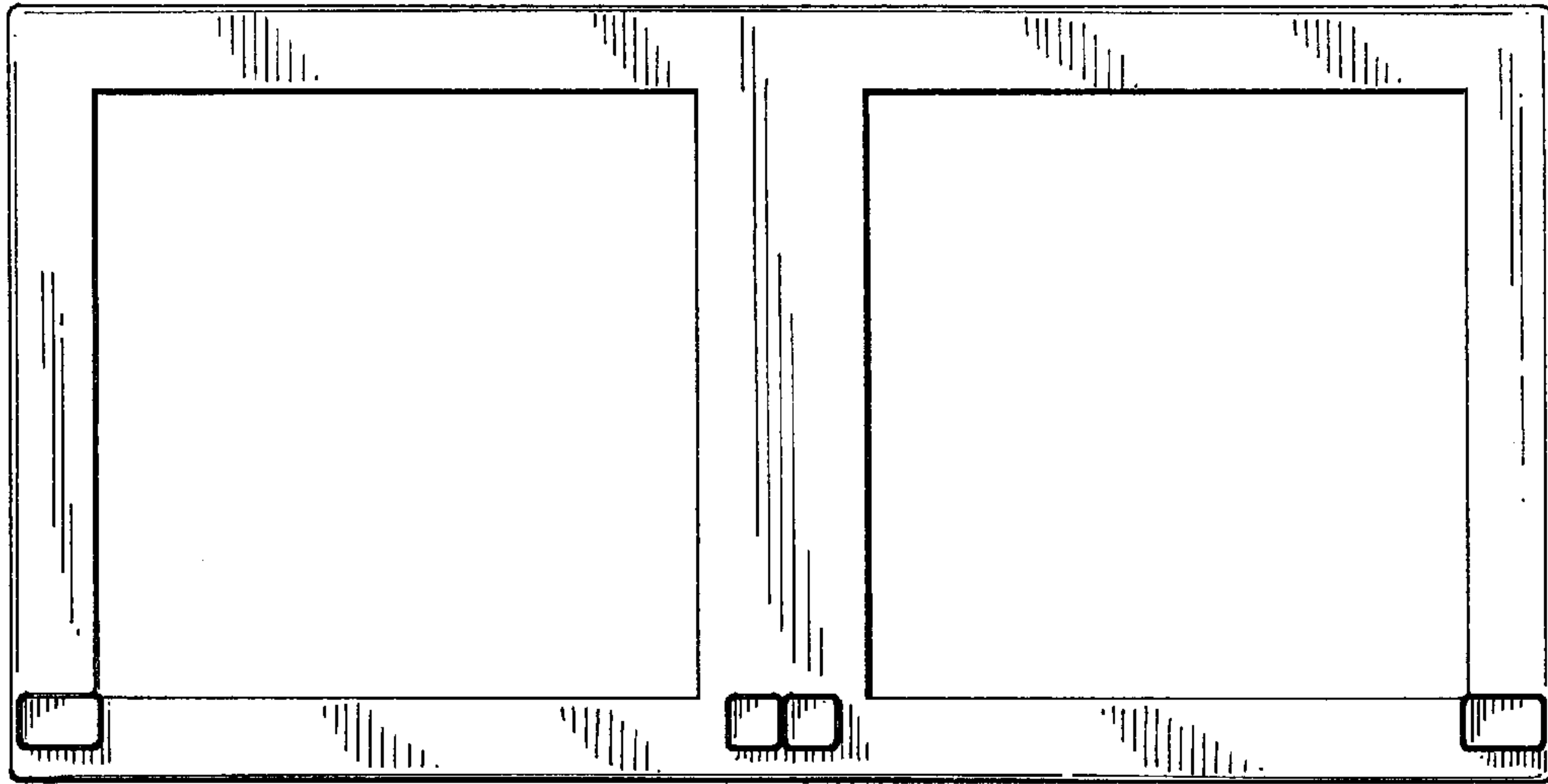


FIG. 7

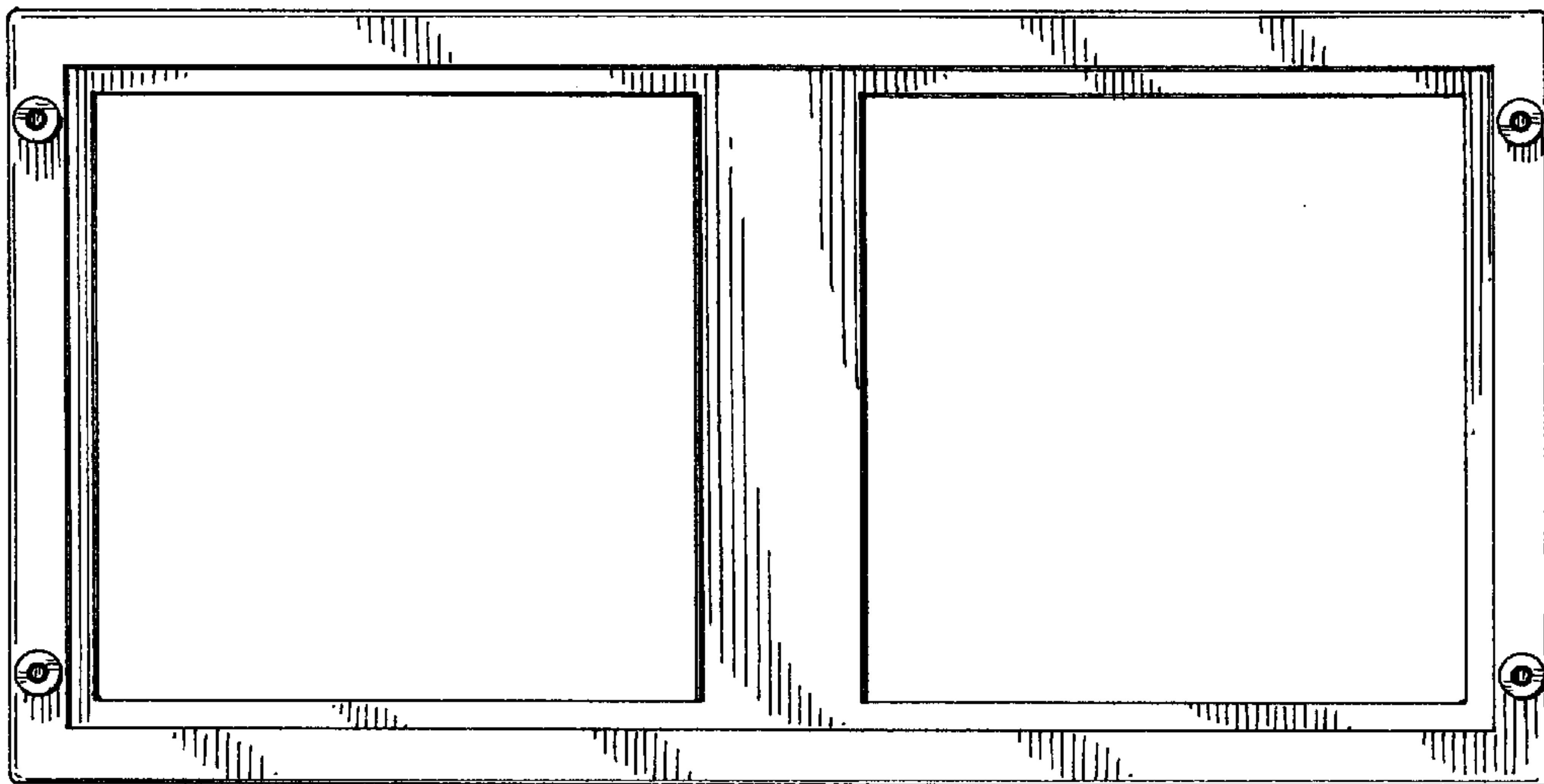


FIG. 8



FIG. 9

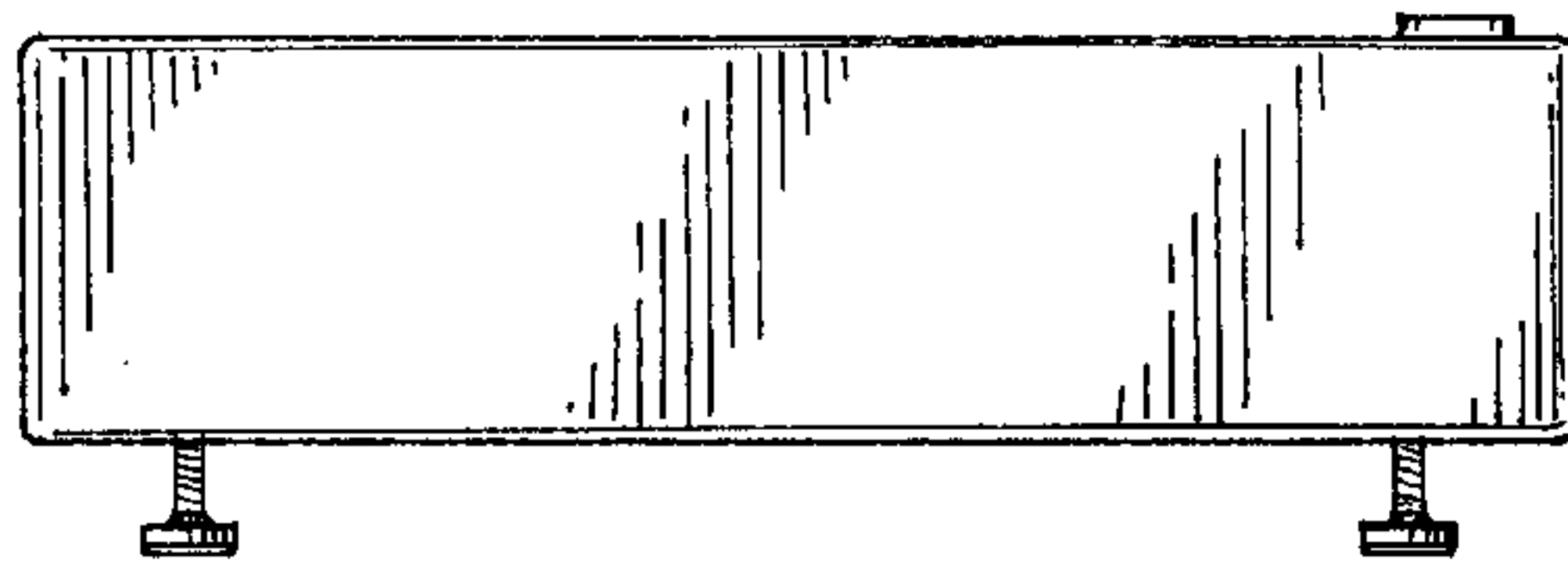


FIG. 10

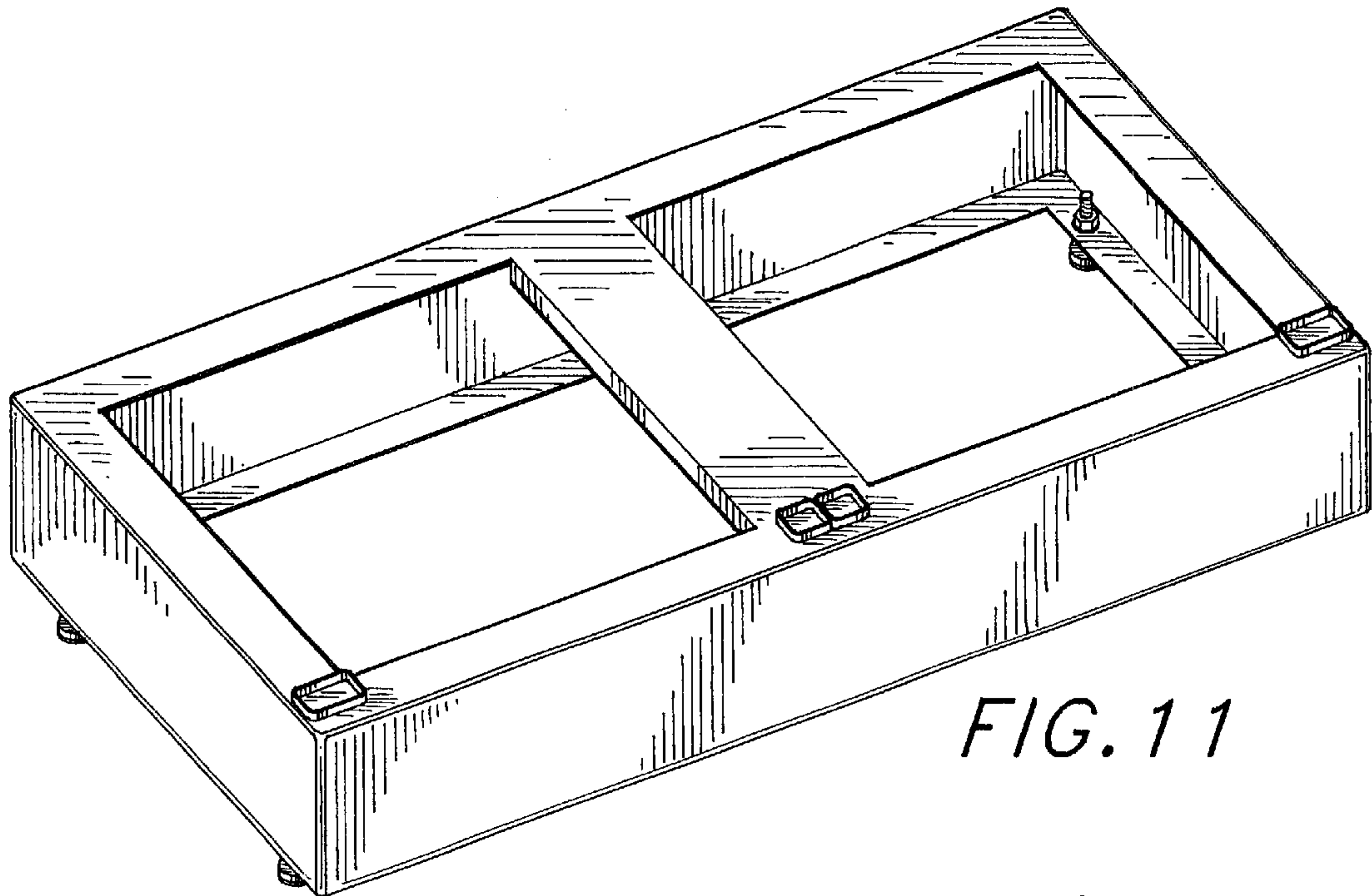


FIG. 11

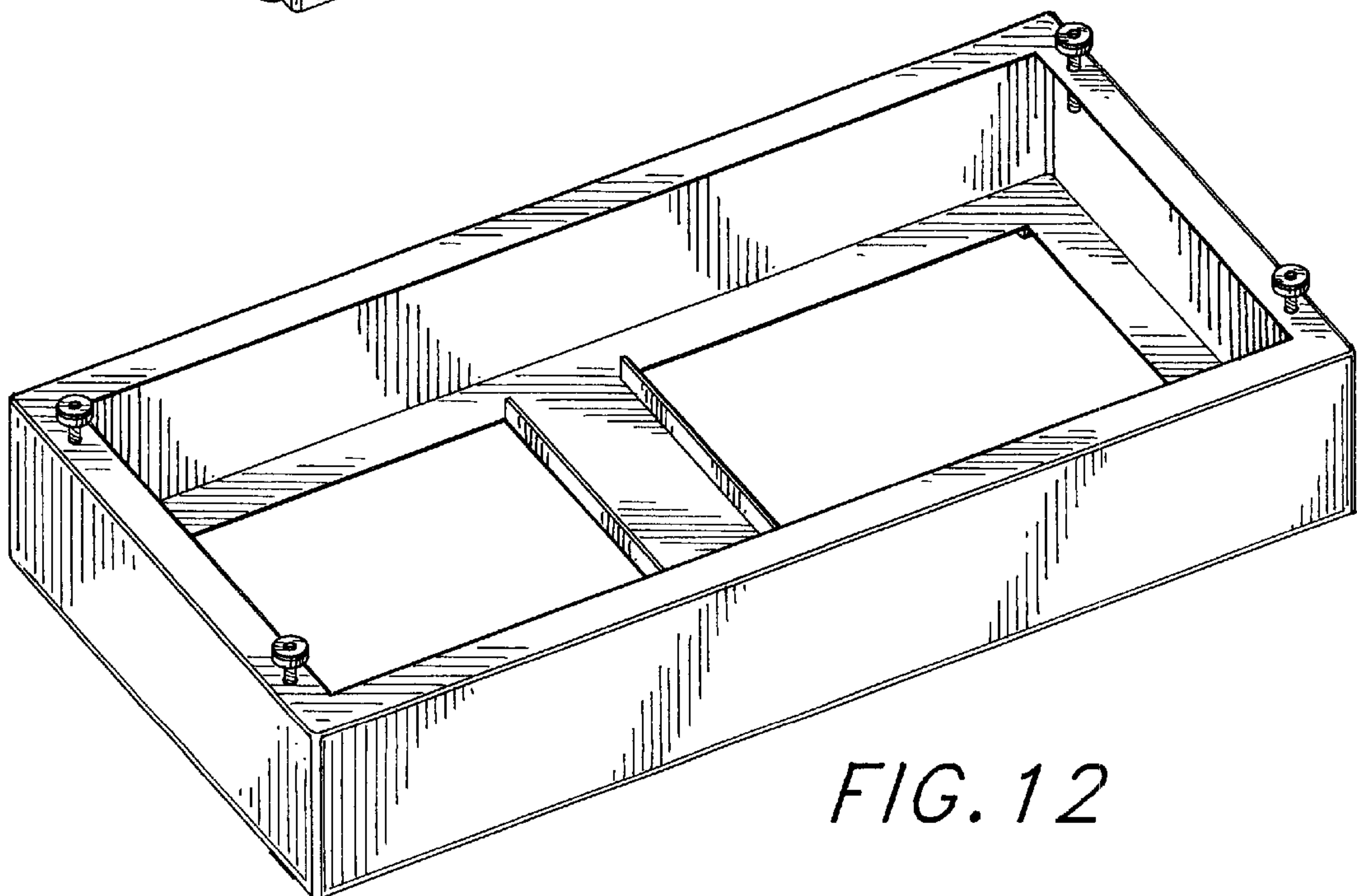


FIG. 12