



US00D466724S

(12) **United States Design Patent**
Starck

(10) **Patent No.:** **US D466,724 S**

(45) **Date of Patent:** **** Dec. 10, 2002**

(54) **FURNITURE**

(75) **Inventor:** **Philippe Starck**, Issy-les Moulineaux (FR)

(73) **Assignee:** **Duravit AG**, Hornberg (DE)

(**) **Term:** **14 Years**

(21) **Appl. No.:** **29/122,172**

(22) **Filed:** **Apr. 20, 2000**

(30) **Foreign Application Priority Data**

Oct. 20, 1999 (DE) 499 09 956

(51) **LOC (7) Cl.** **06-04**

(52) **U.S. Cl.** **D6/446; D6/448; D6/470**

(58) **Field of Search** D6/396, 432, 436, D6/445, 446, 447, 448, 470; 312/114, 198, 199, 204, 228, 351.3

(56) **References Cited**

U.S. PATENT DOCUMENTS

D132,971 S	*	7/1942	Carlson	D6/446
D225,922 S	*	1/1973	Rosenberg	D6/445
D278,957 S	*	5/1985	Flotto	D6/432
D301,419 S	*	6/1989	Rosen	D6/436
D310,999 S	*	10/1990	Nuttall et al.	D6/432 X
D323,083 S	*	1/1992	Vaara-Sternos	D6/448
D325,482 S	*	4/1992	Schwartz	D6/470
D328,824 S	*	8/1992	Bellini et al.	D6/445
D440,790 S	*	4/2001	Alexandersson	D6/446

OTHER PUBLICATIONS

“Furniture Today”, Adesso RTA table, p. 14 Apr. 27, 1998.*
“Schoner Wohnen”, Wheeled Cart, p. 178, Dec. 1997.*

* cited by examiner

Primary Examiner—Cathron C. Brooks

(74) *Attorney, Agent, or Firm*—Hedman & Costigan, P.C.

(57) **CLAIM**

The ornamental design for furniture, as shown and described.

DESCRIPTION

FIG. 1 is a perspective view of a piece of furniture according to the present invention having a single cabinet door.

FIG. 2 is a perspective view of a piece of furniture according to the present invention having a combination of drawers and a cabinet door.

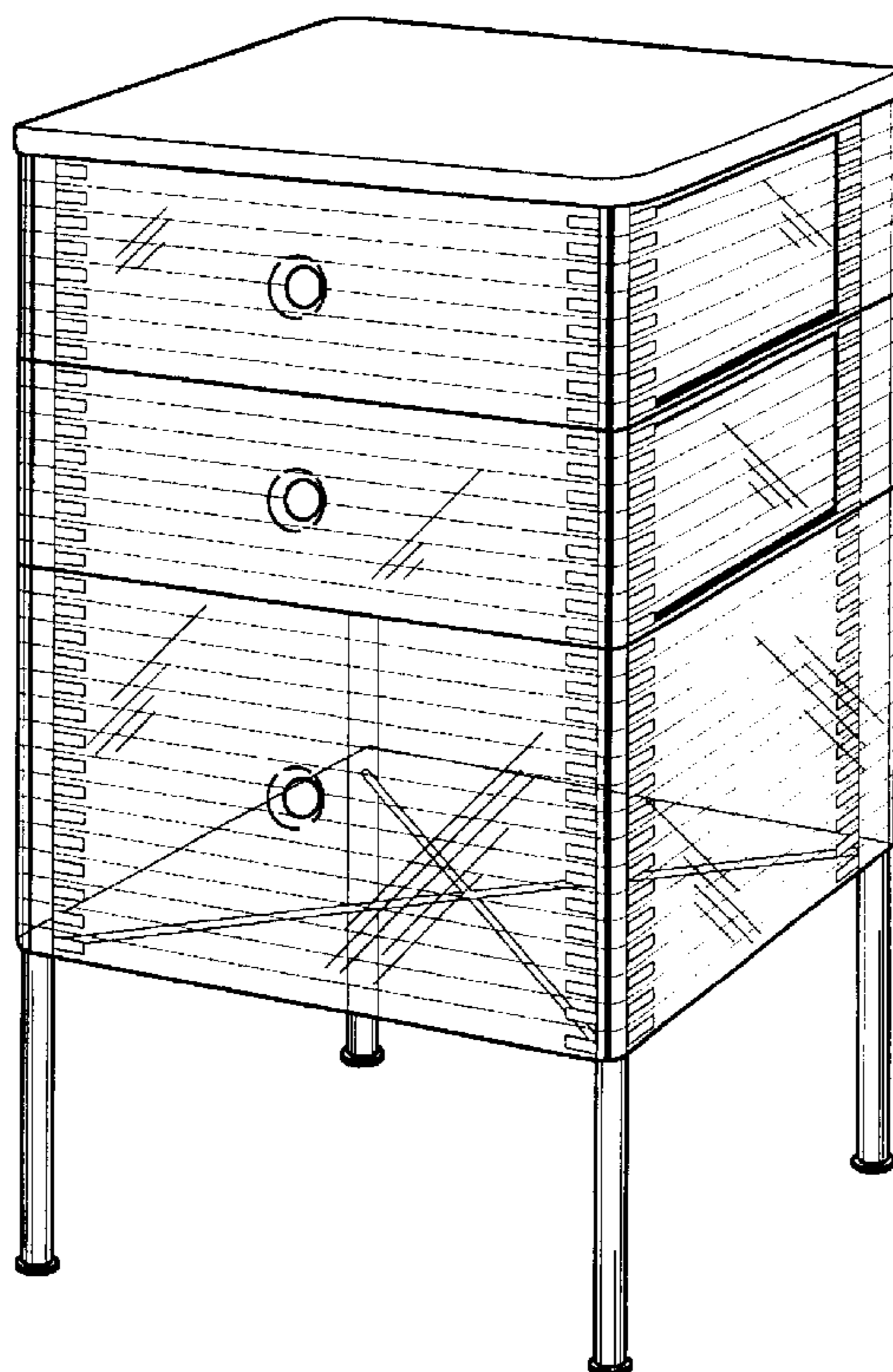
FIG. 3 is a perspective view of piece of furniture according to the present invention having two cabinet doors.

FIG. 4 is a perspective view of a piece of furniture according to the present invention having a combination of two drawers and two cabinet doors.

FIG. 5 is a perspective view of a piece of furniture according to the present invention having a series of drawers and a cabinet door.

FIG. 6 is a perspective view of a piece of furniture according to the present invention having a double cabinet door; and, FIG. 7 is a perspective view of a piece of furniture according to the present invention on wheels with a cabinet door.

1 Claim, 5 Drawing Sheets



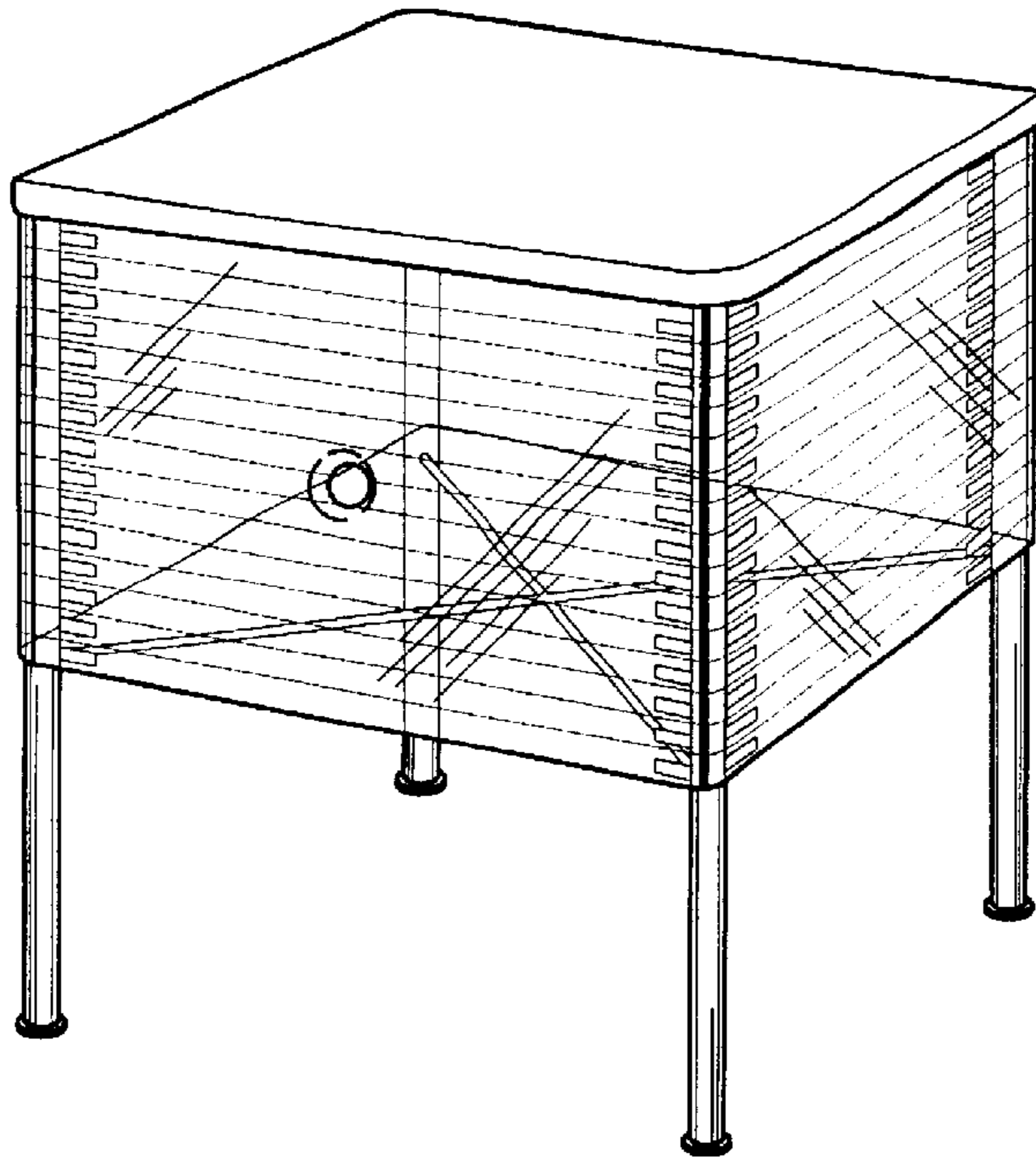


FIG. 1

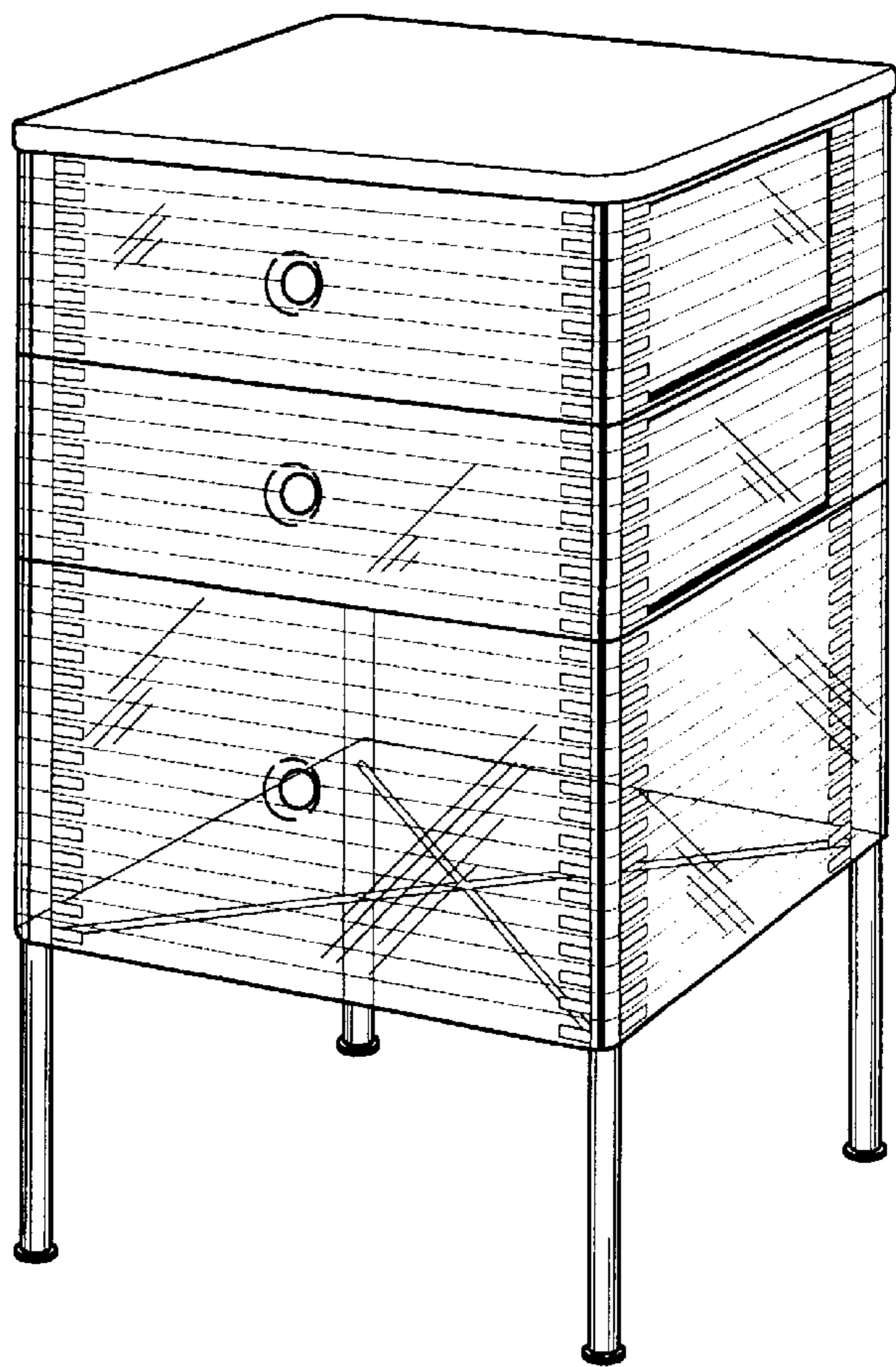


FIG. 2

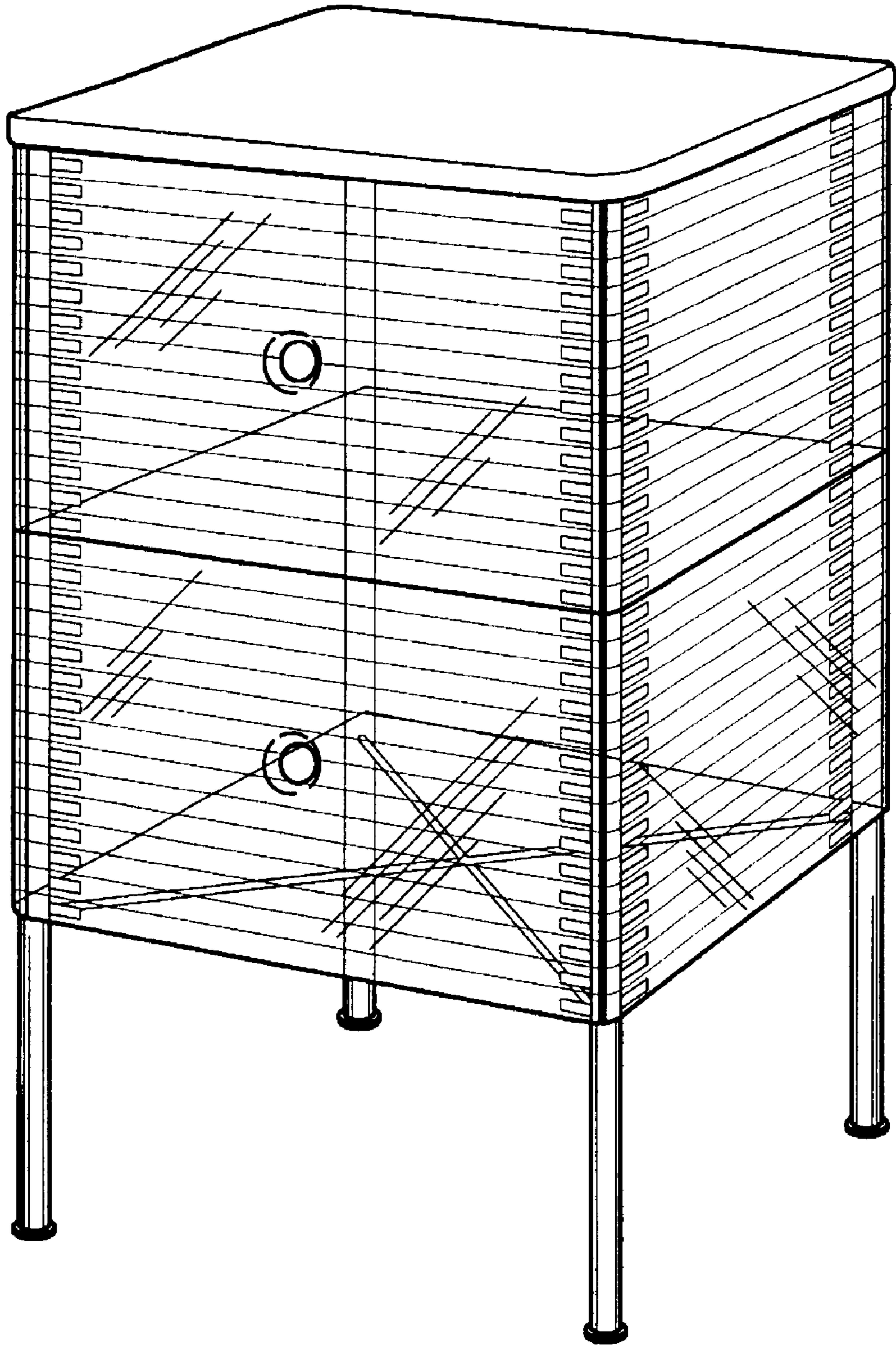


FIG. 3

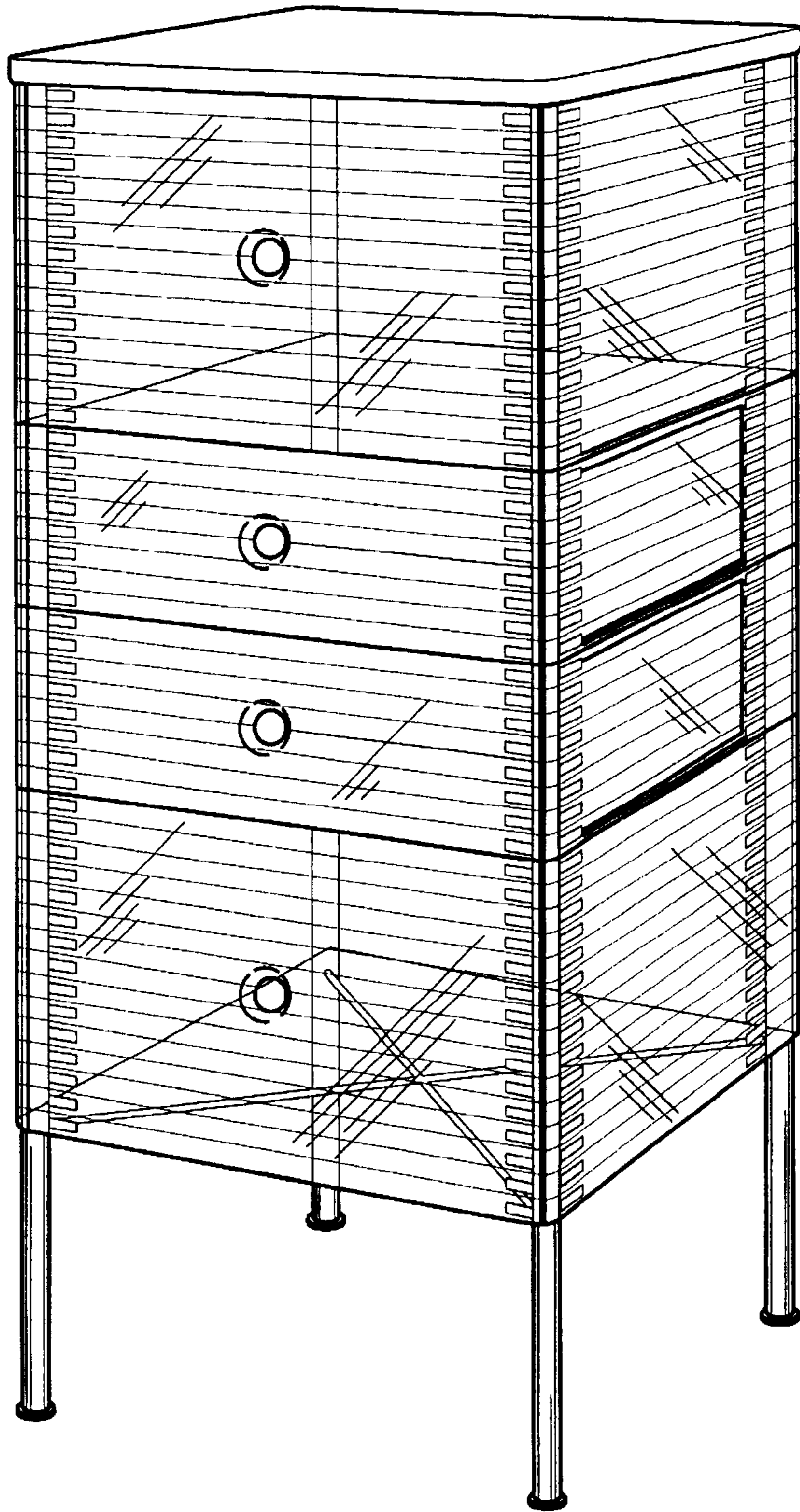


FIG. 4

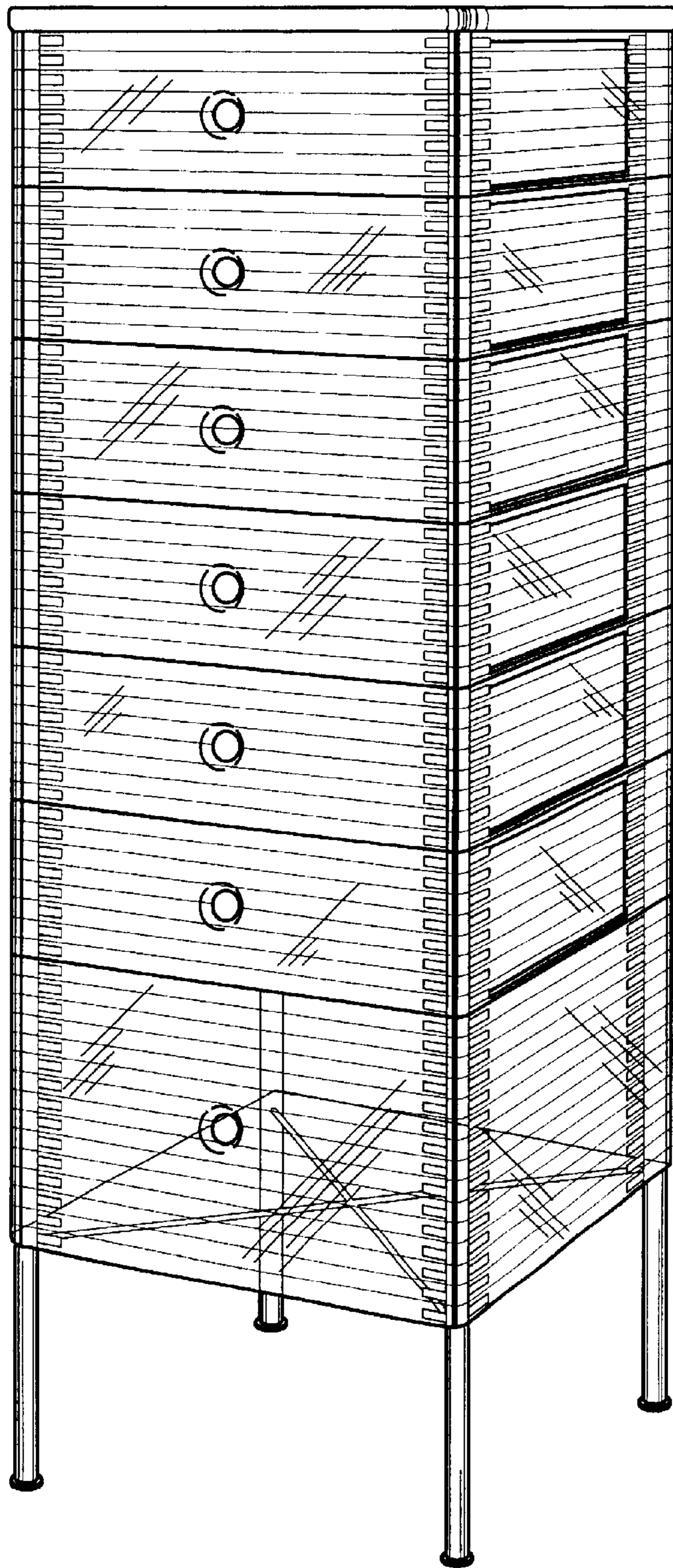


FIG. 5

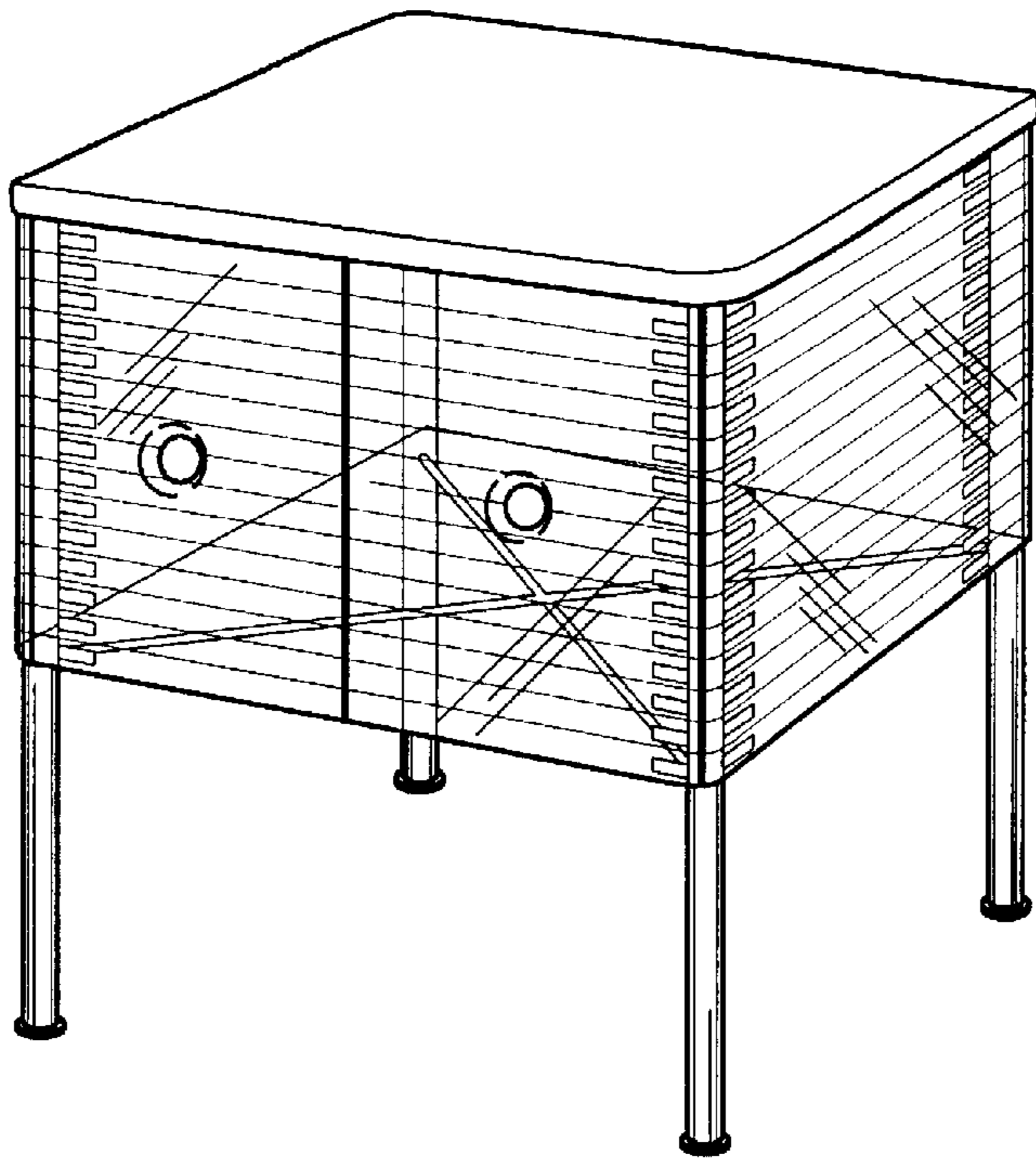


FIG. 6

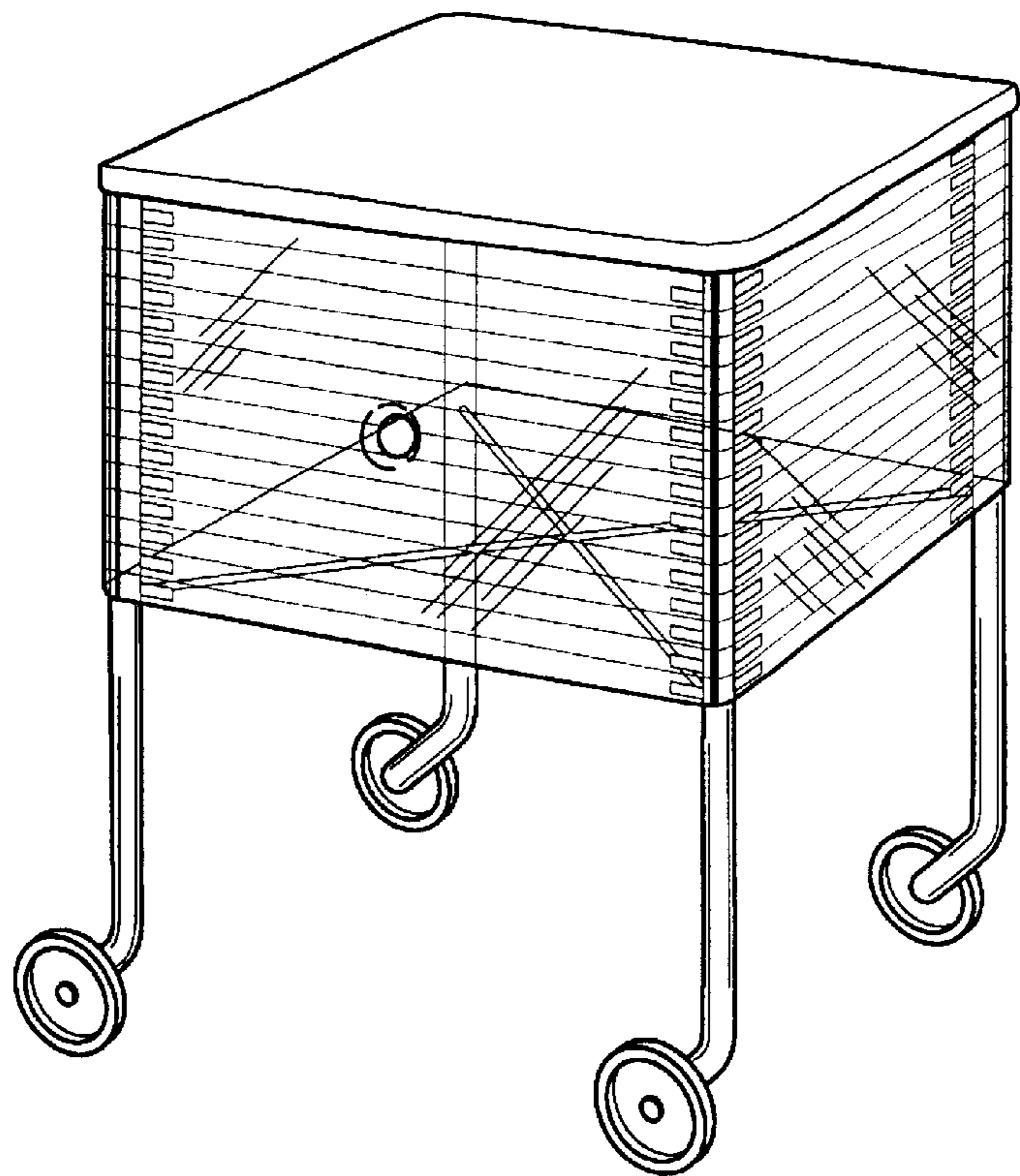


FIG. 7