



US00D466723S

(12) **United States Design Patent**
Heidmann et al.

(10) **Patent No.:** **US D466,723 S**

(45) **Date of Patent:** **** Dec. 10, 2002**

(54) **ELEVATED BINDER BIN**

(75) Inventors: **Kurt R. Heidmann**, Grand Rapids, MI (US); **Thomas B. Eich**, Palo Alto, CA (US); **Karl H. Müller**, Grand Rapids, MI (US)

(73) Assignee: **Steelcase Development Corporation**, Caledonia, MI (US)

(**) Term: **14 Years**

(21) Appl. No.: **29/158,531**

(22) Filed: **Apr. 4, 2002**

Related U.S. Application Data

(62) Division of application No. 29/133,320, filed on Nov. 28, 2000.

(51) **LOC (7) Cl.** **06-04**

(52) **U.S. Cl.** **D6/441**

(58) **Field of Search** D6/332, 396, 397, D6/421, 426, 491, 492, 495, 499, 509-511, 433, 441; 312/243, 245, 247

(56) **References Cited**

U.S. PATENT DOCUMENTS

3,425,568	A	2/1969	Albright
3,514,883	A	6/1970	Albright
4,272,136	A	6/1981	Sengua
4,619,486	A	10/1986	Hannah et al.
D292,051	S	9/1987	Martin

(List continued on next page.)

OTHER PUBLICATIONS

Discloses a prior art binder bin first manufactured and sold more than one year ago under the tradename "SKATE" by Kimball International (2 pages).

Discloses a prior art binder bin manufactured and sold by Sugatsune (4 pages).

Exhibit C is a brochure entitled *Knoll-Hannah Desk System*, 18 pages, dated Oct. 1986.

Exhibit D is a brochure entitled *Knoll-Hannah Desk System*, 13 pages, undated but published in 1986.

Exhibit E is a publication entitled *Knoll-Hannah Desk System—Electrical Assembly Guide*, 12 pages, undated but published in 1986.

(List continued on next page.)

Primary Examiner—Cathron C. Brooks

(74) *Attorney, Agent, or Firm*—Price Heneveld Cooper DeWitt & Litton

(57) **CLAIM**

We claim the ornamental design for an elevated binder bin, as shown and described.

DESCRIPTION

FIG. 1 is a top perspective view of a first elevated binder bin showing our design;

FIG. 2 is a rear perspective view of FIG. 1;

FIG. 3 is a front view of FIG. 1;

FIG. 4 is an end view of FIG. 1, the opposite end view being a mirror image thereof;

FIG. 5 is a rear view of FIG. 1;

FIG. 6 is a top view of FIG. 1; and

FIG. 7 is a bottom view of FIG. 1.

FIG. 8 is a top perspective view of another elevated binder bin showing our design;

FIG. 9 is a rear perspective view of FIG. 8;

FIG. 10 is a front view of FIG. 8;

FIG. 11 is an end view of FIG. 8, the opposite end view being a mirror image thereof;

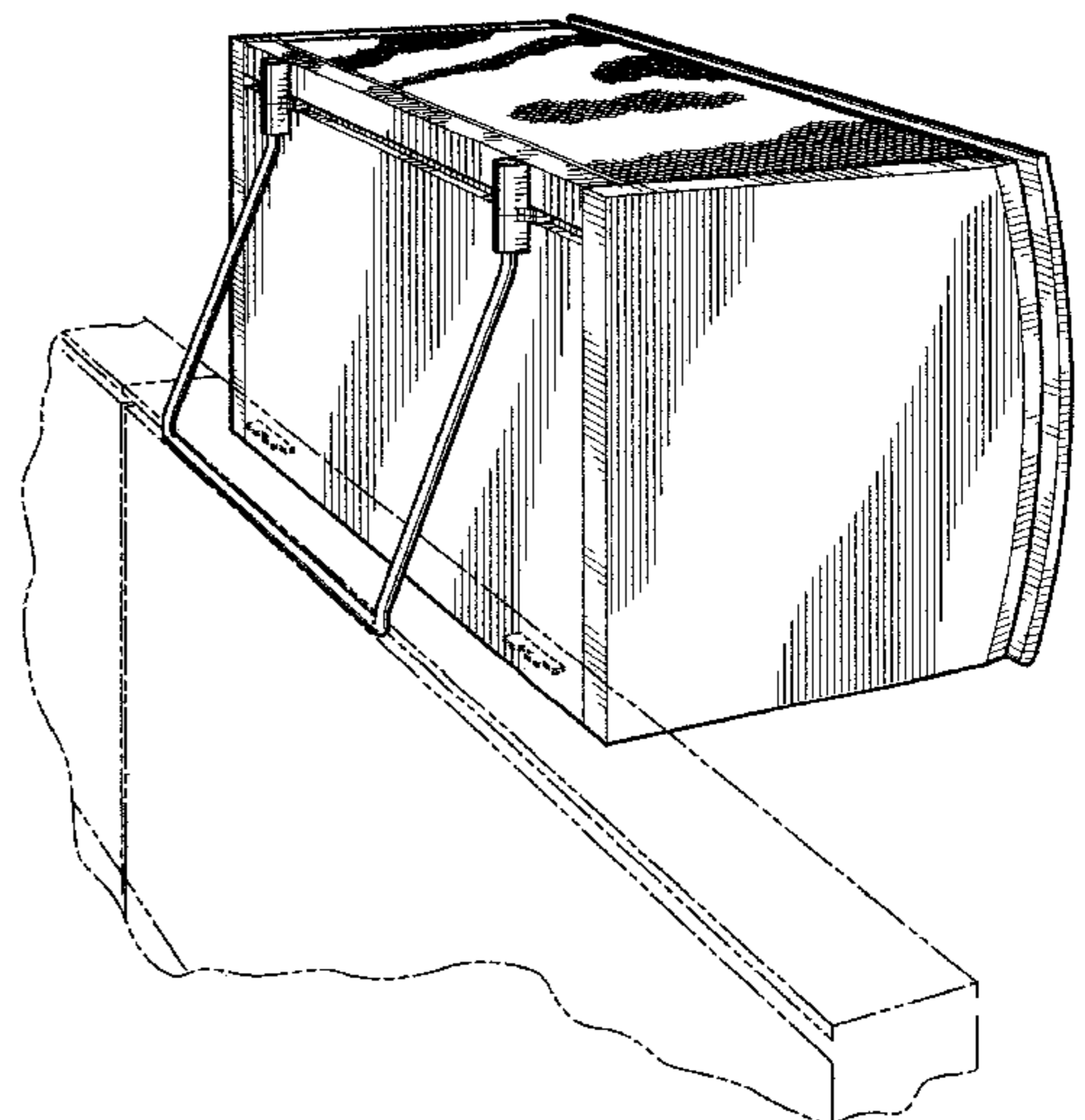
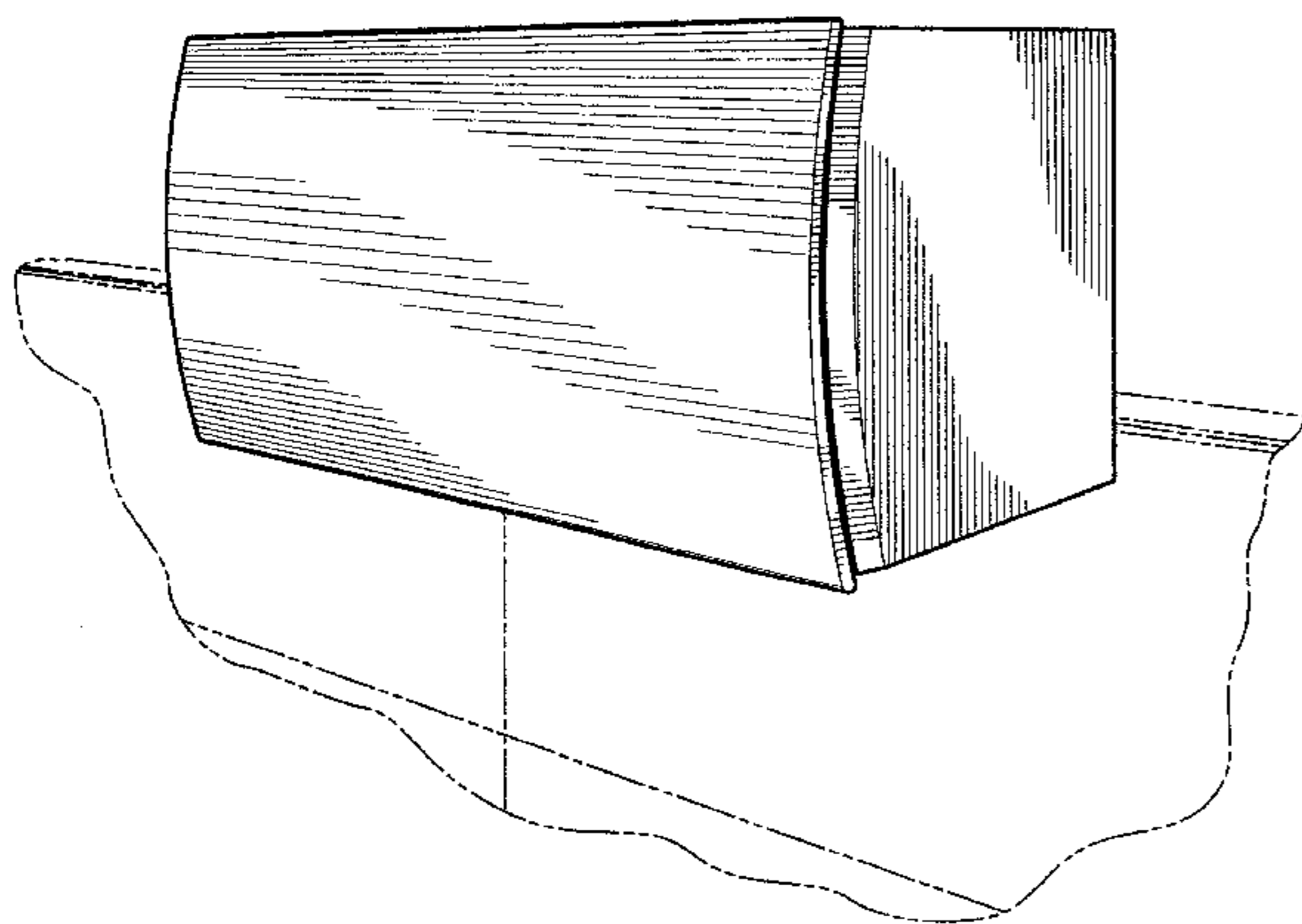
FIG. 12 is a rear view of FIG. 8;

FIG. 13 is a top view of FIG. 8; and,

FIG. 14 is a bottom view of FIG. 8.

The phantom and dashed lines in FIGS. 1-2, 4-7, 8-9, and 11-14 show the environment, and do not form part of the present invention.

1 Claim, 6 Drawing Sheets



US D466,723 S

Page 2

U.S. PATENT DOCUMENTS

D303,881 S 10/1989 Markus
4,883,330 A 11/1989 Armstrong et al.
D312,927 S 12/1990 Martin
D322,183 S 12/1991 Martin et al.
5,094,174 A 3/1992 Grund et al.
D330,641 S 11/1992 Zapf
5,172,969 A 12/1992 Reuter et al.
5,183,319 A 2/1993 Pearson et al.
5,409,308 A 4/1995 Reuter et al.
D372,811 S 8/1996 Muller-Deisig et al.
5,544,593 A 8/1996 Canfield et al.
D376,705 S 12/1996 Stoddard et al.
D400,383 S 11/1998 Fricano et al.

5,845,980 A 12/1998 Fricano et al.
5,893,616 A 4/1999 MacDonald et al.
6,113,201 A 9/2000 Bauer
D437,716 S 2/2001 Chau et al.
6,227,635 B1 5/2001 Teppo et al.

OTHER PUBLICATIONS

Exhibit F is a publication entitled *Knoll-Hannah Desk System—Assembly Guide*, 12 pages, undated but published in 1986.

Exhibit G Kimball Mobile Systems, Skate Line, elevated bin, p. 30, 1999, Brochure.

Exhibit H Haworth, Vancouver, casegoods, overhead bin, p. 14, 12/00, brochure.

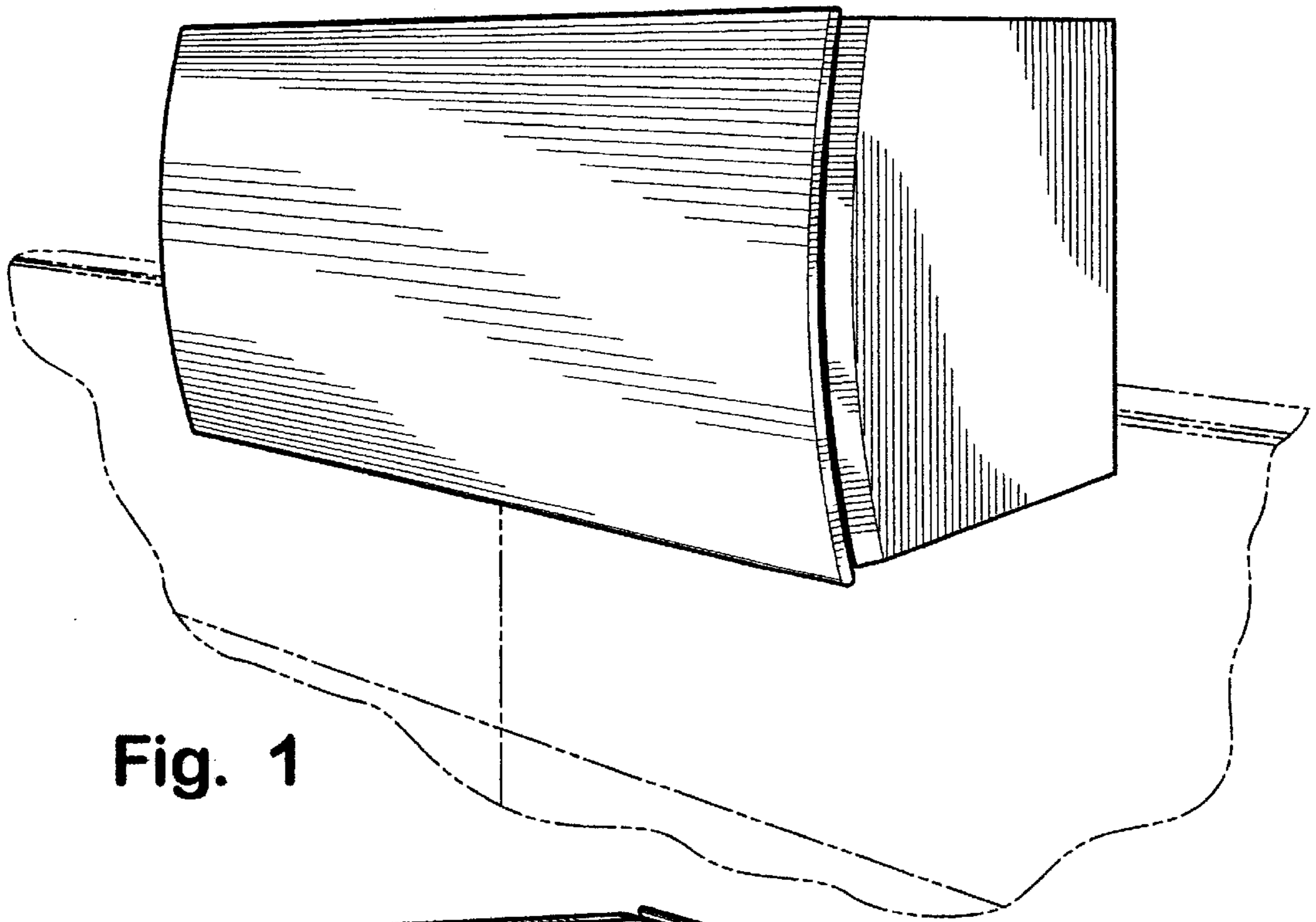


Fig. 1

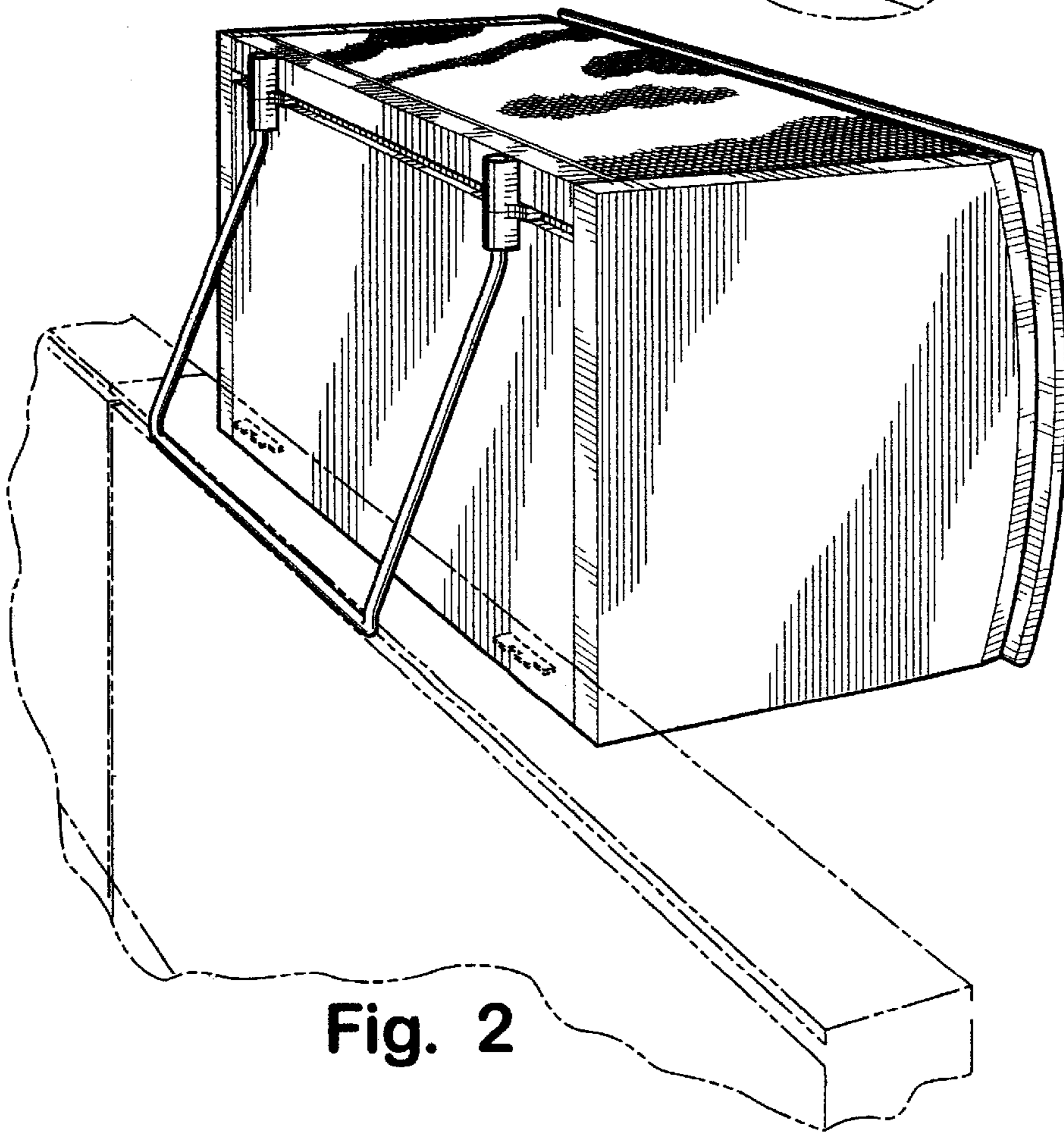


Fig. 2

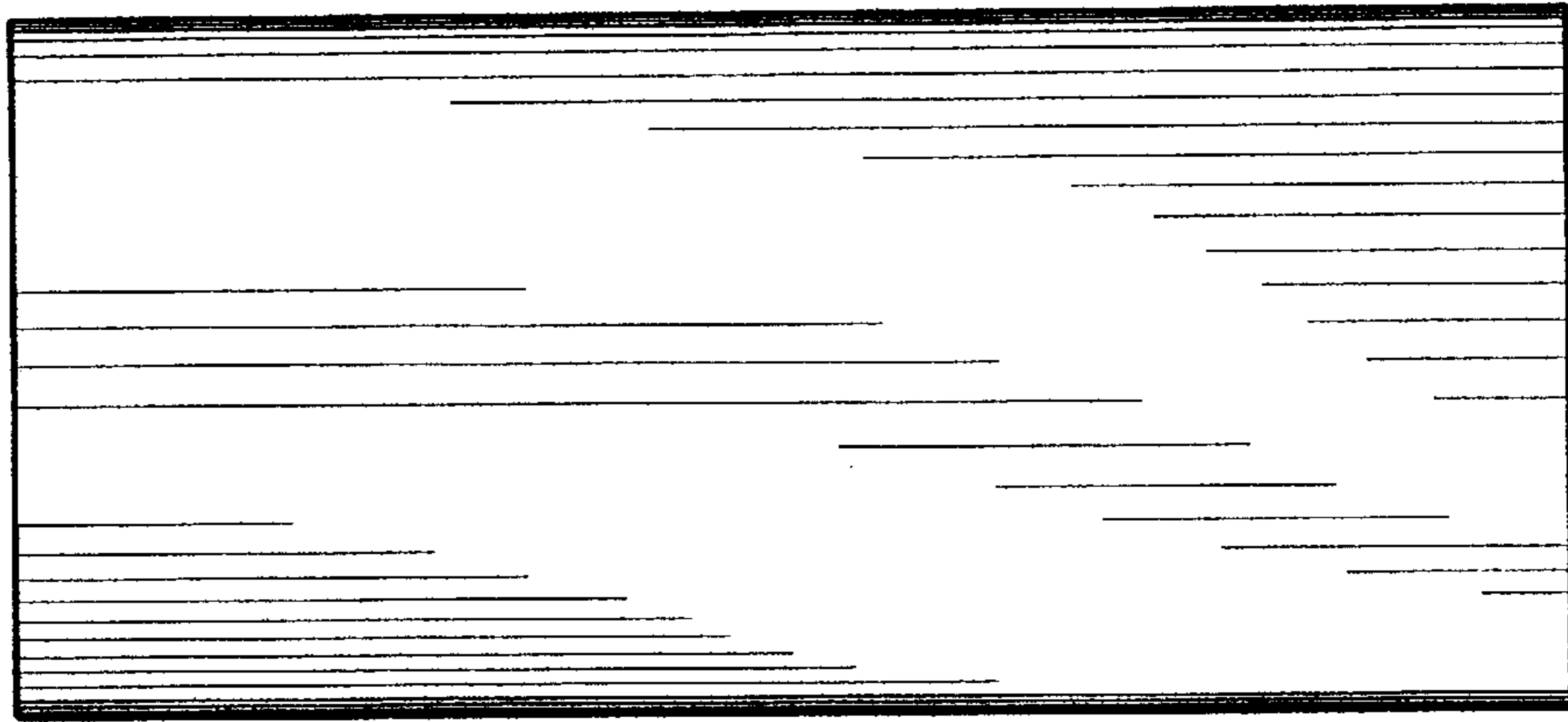


Fig. 3

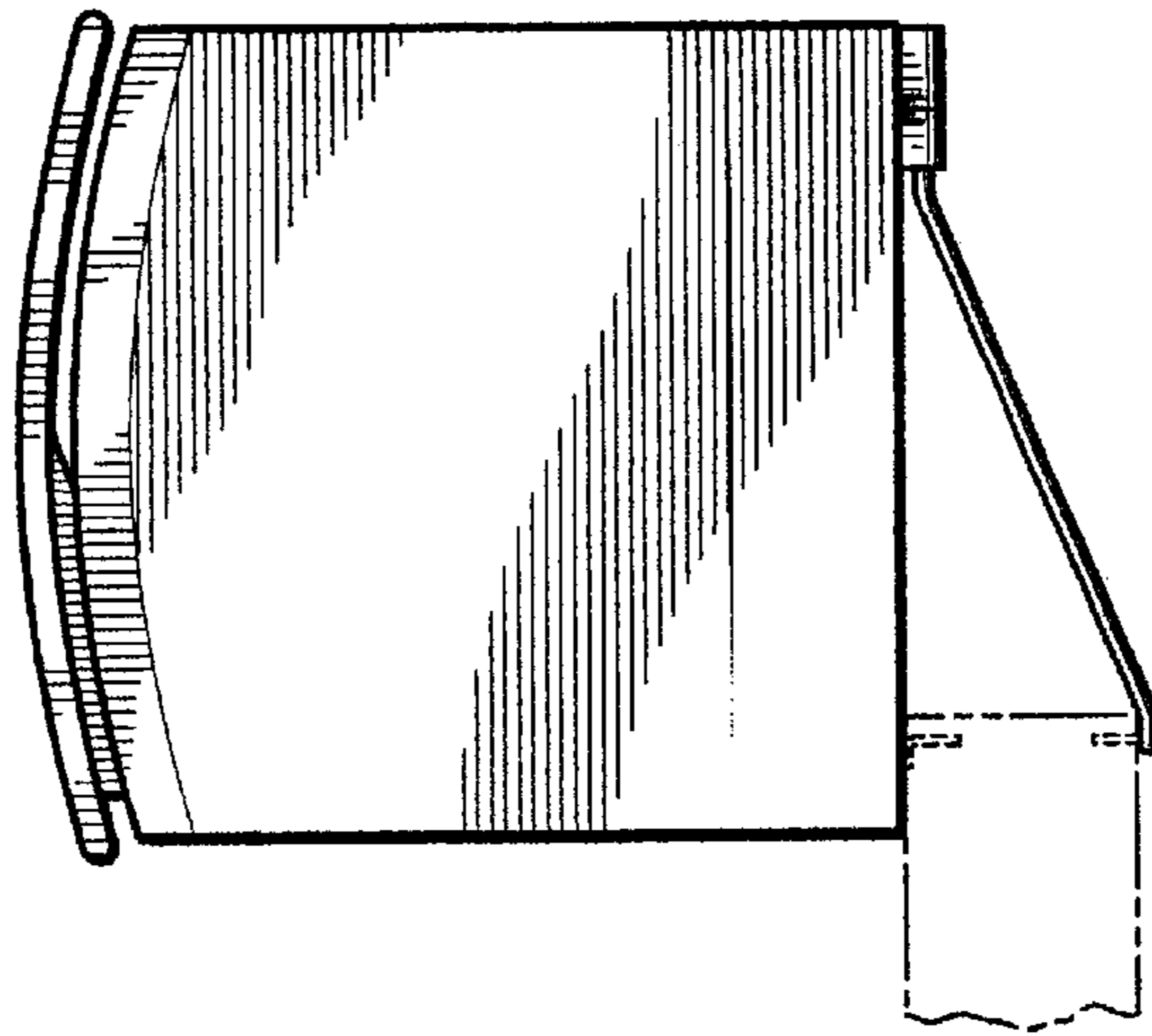


Fig. 4

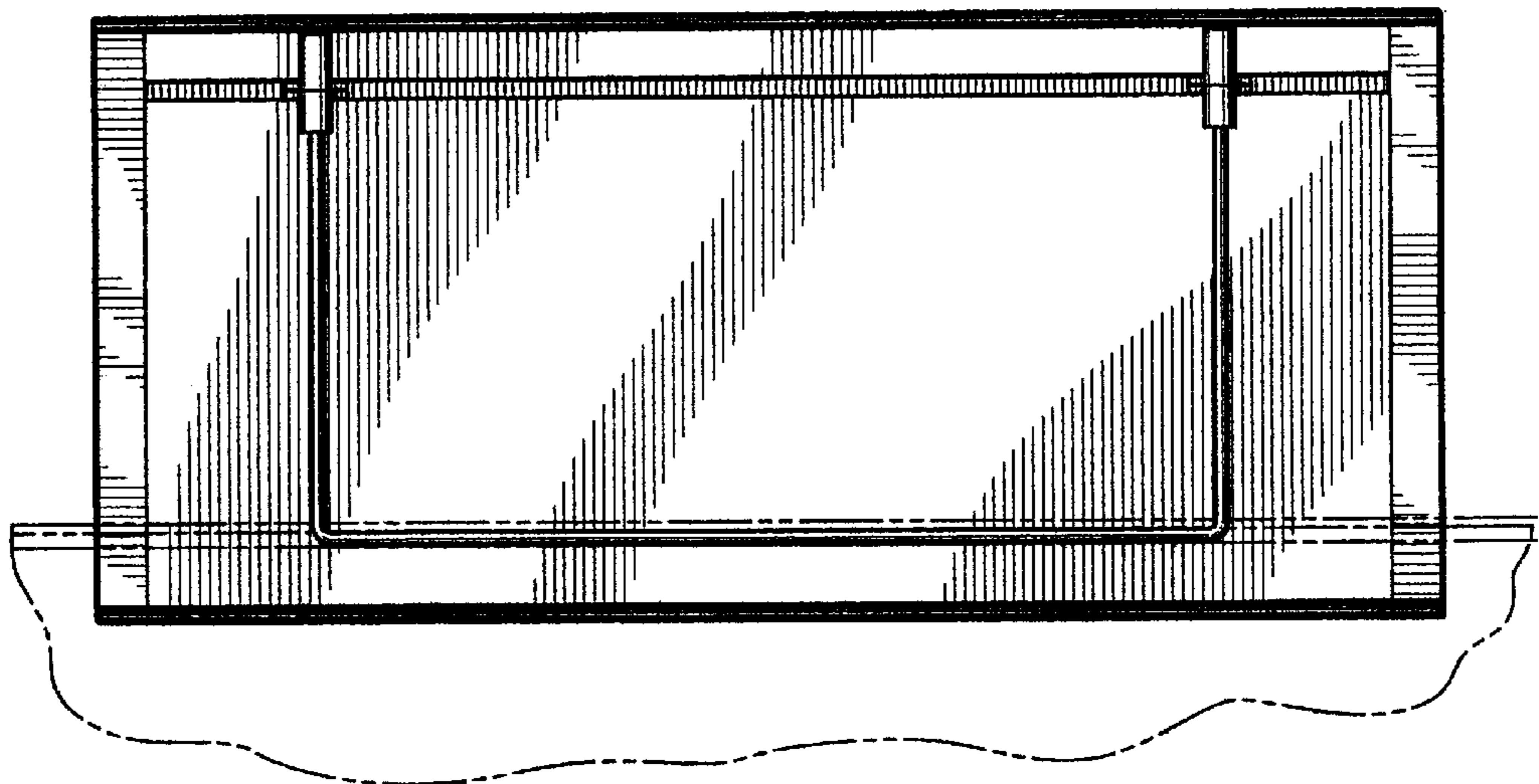


Fig. 5

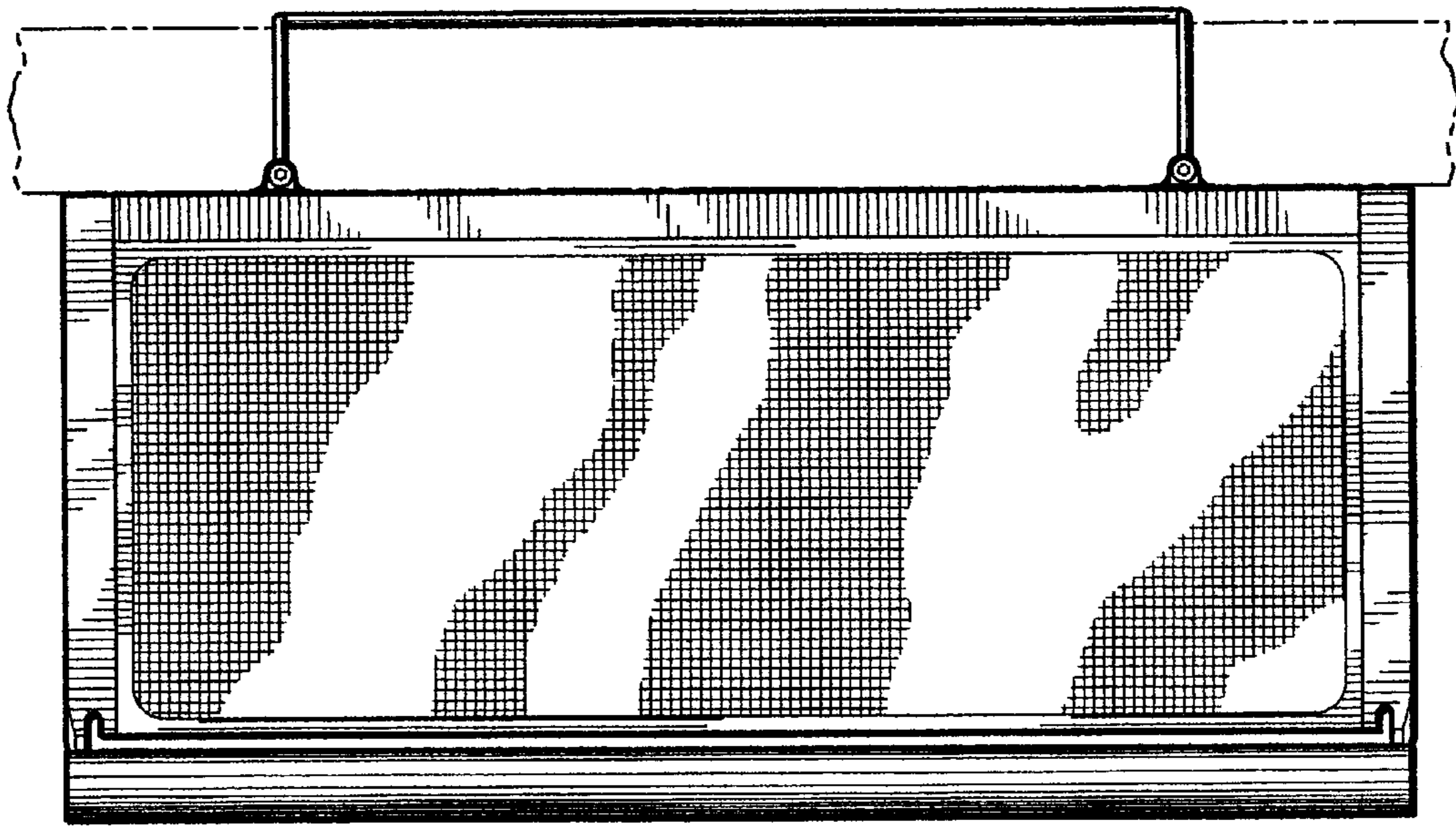
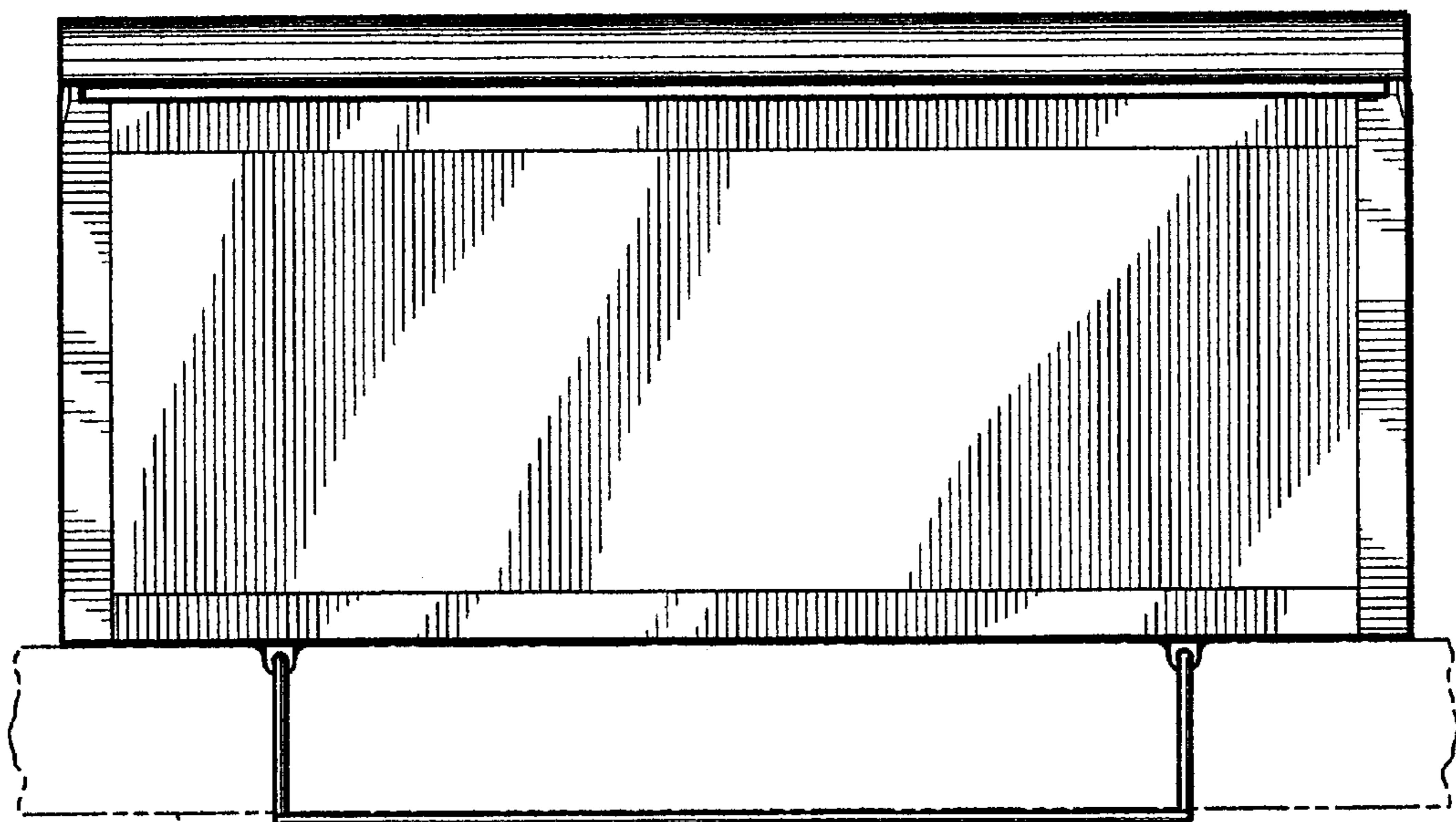


Fig. 6

Fig. 7



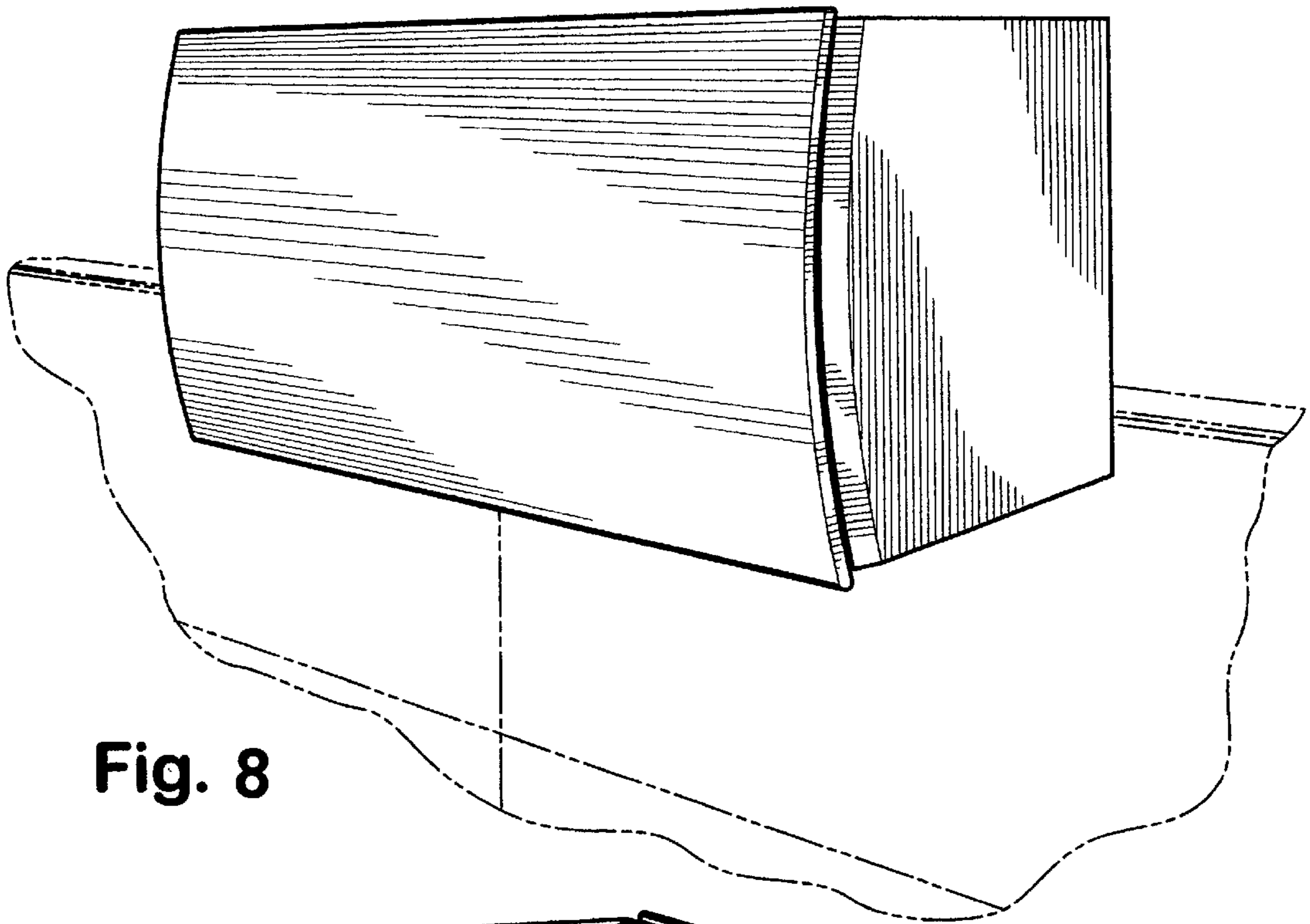


Fig. 8

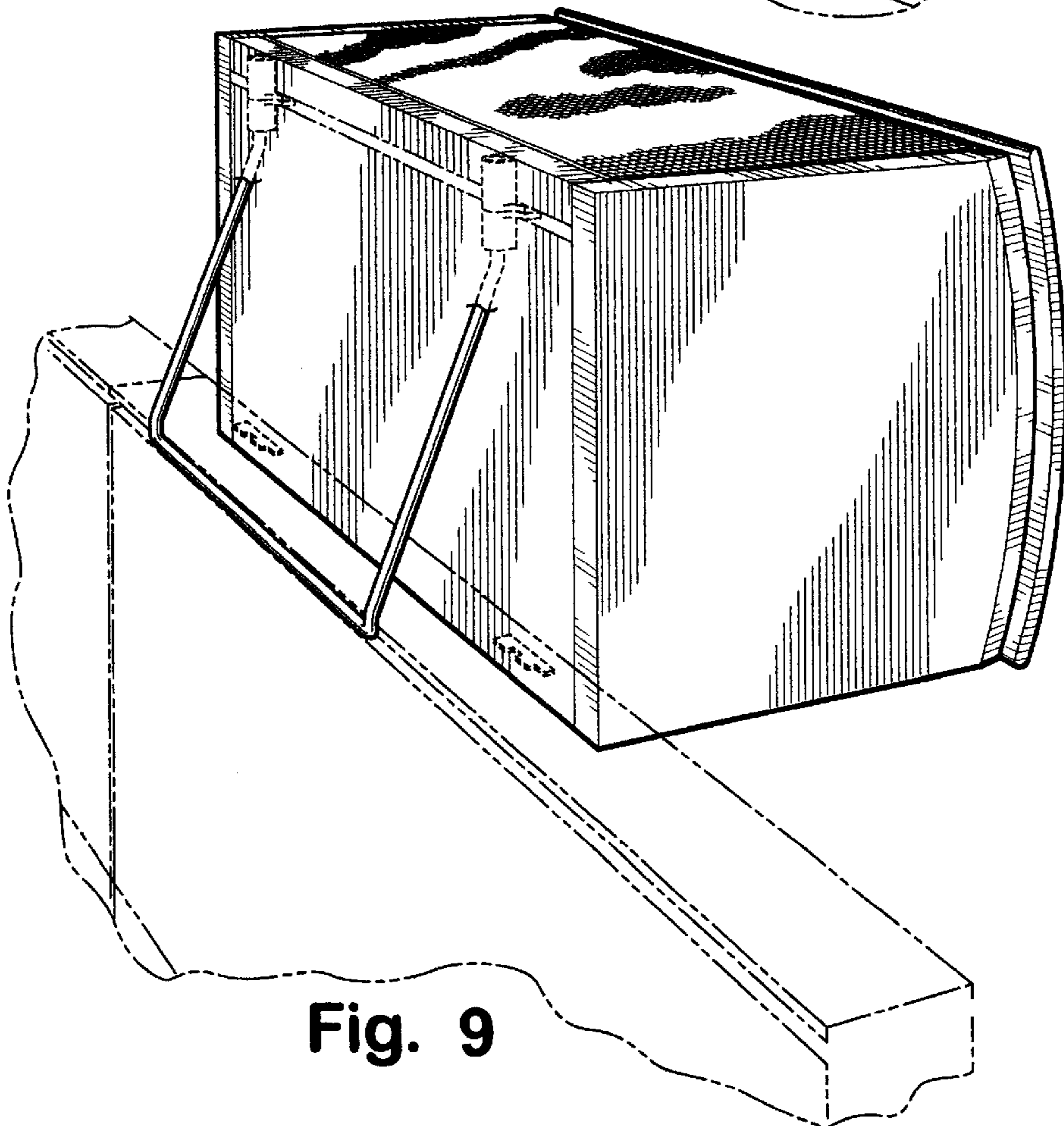


Fig. 9

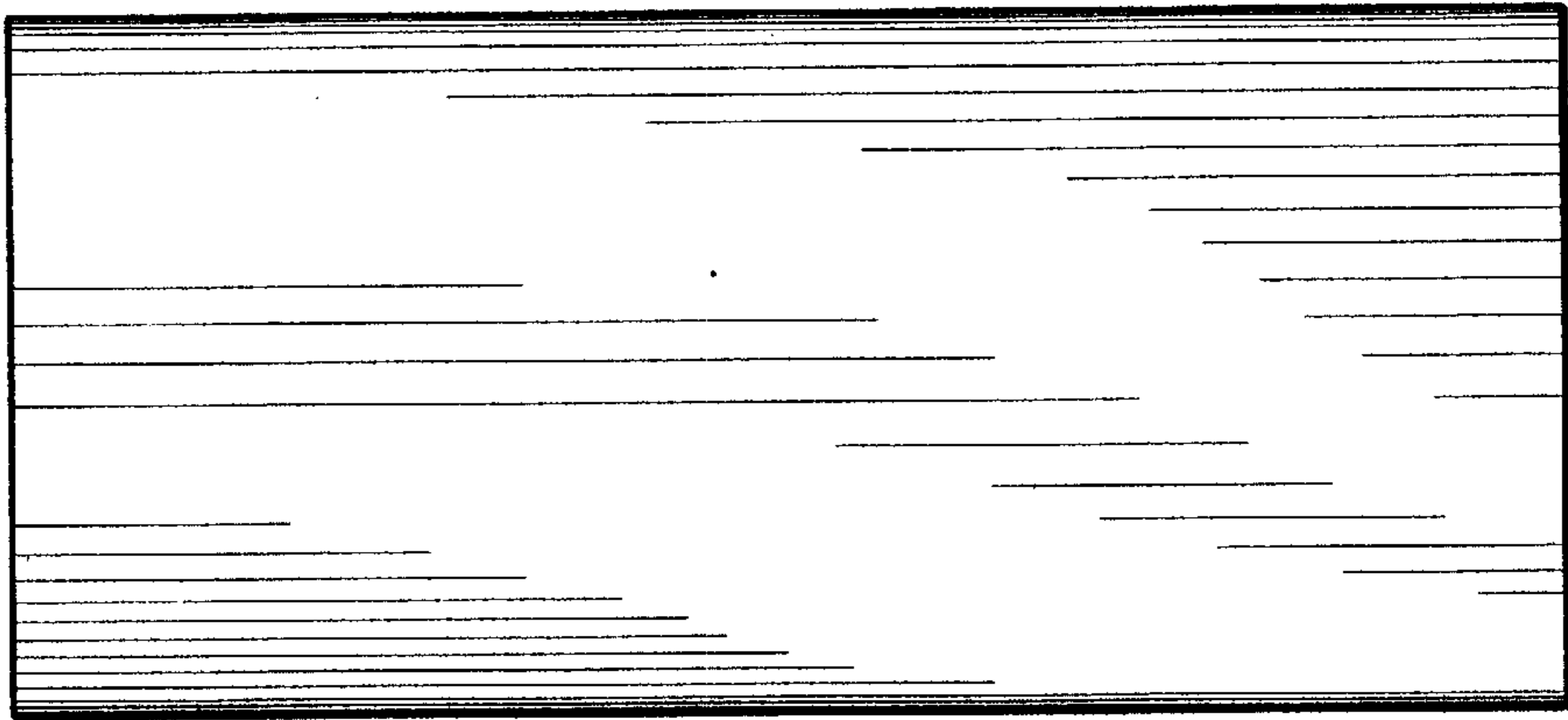


Fig. 10

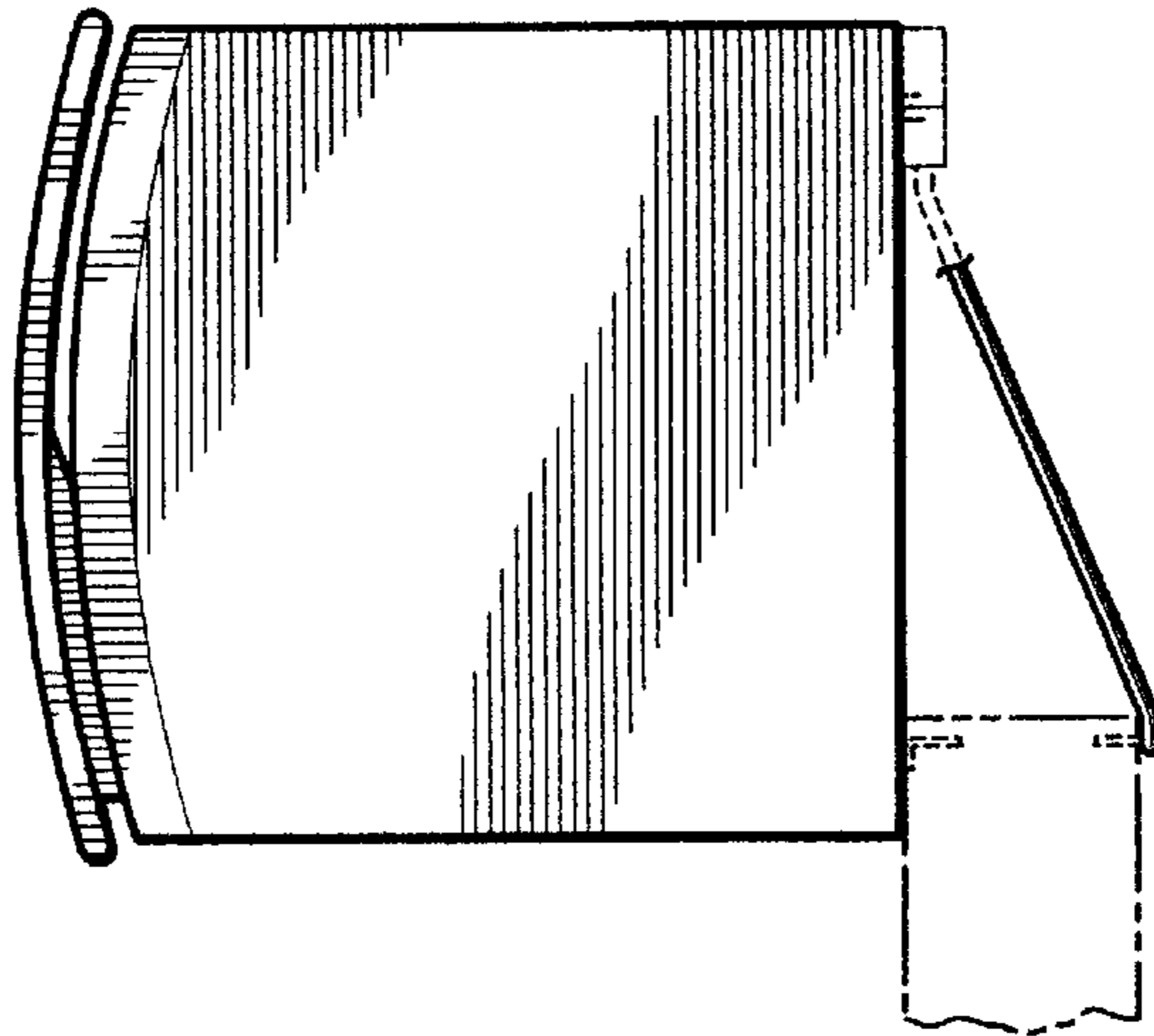


Fig. 11

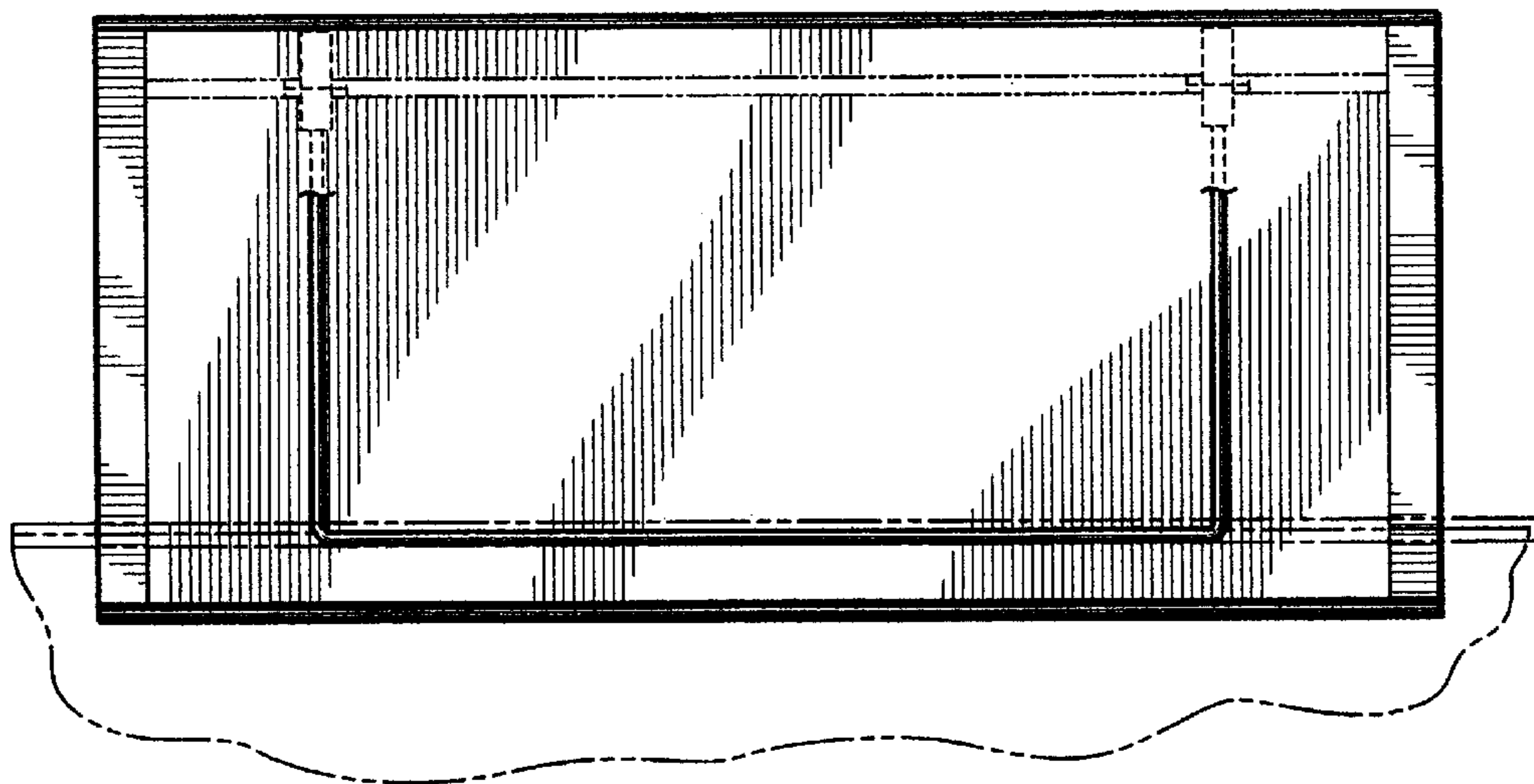


Fig. 12

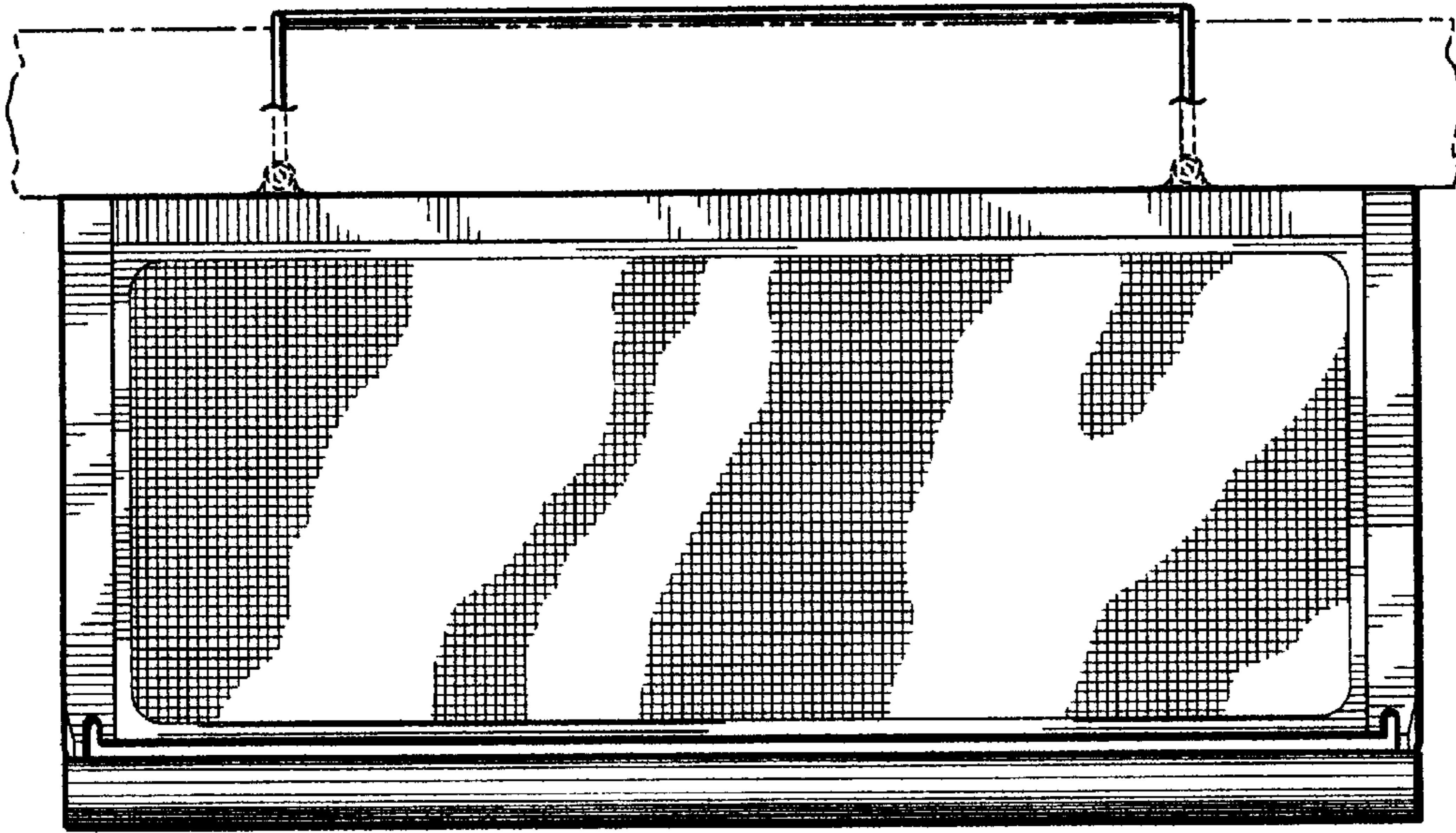
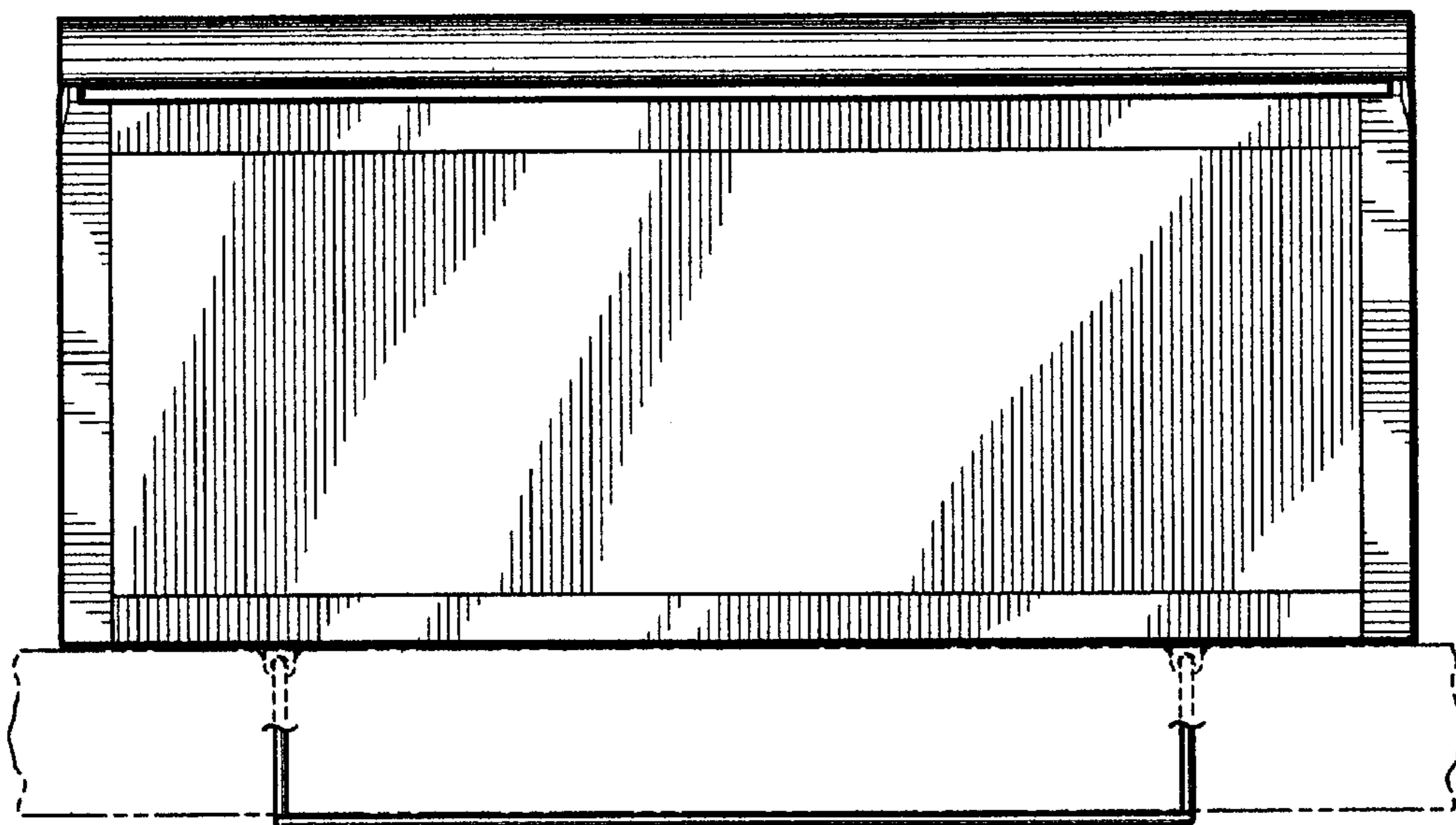


Fig. 13

Fig. 14



UNITED STATES PATENT AND TRADEMARK OFFICE
CERTIFICATE OF CORRECTION

PATENT NO. : Des. 466,723 S
DATED : December 10, 2002
INVENTOR(S) : Kurt R. Heidmann et al.

Page 1 of 1

It is certified that error appears in the above-identified patent and that said Letters Patent is hereby corrected as shown below:

Title page,

Item [75], Inventor, "**Karl H. Müller**" should be -- **Karl H. Mueller** --.

Signed and Sealed this

Eighth Day of April, 2003

A handwritten signature in black ink, appearing to read "James E. Rogan", written over a horizontal line.

JAMES E. ROGAN
Director of the United States Patent and Trademark Office