



US00D466721S

(12) **United States Design Patent** (10) **Patent No.:** **US D466,721 S**  
**Coonan et al.** (45) **Date of Patent:** **\*\* Dec. 10, 2002**

- (54) **VERTICALLY ADJUSTABLE MOBILE COMPUTER WORKSTATION**
- (75) Inventors: **Gary Coonan**, Rockvale, TN (US); **Gary L. Mayes**, Murfreesboro, TN (US); **Donald Ray Reckelhoff**, Antioch, TN (US)
- (73) Assignee: **Stinger Industries, LLC.**, Murfreesboro, TN (US)
- (\*\*) Term: **14 Years**
- (21) Appl. No.: **29/158,700**
- (22) Filed: **Apr. 8, 2002**

**Related U.S. Application Data**

- (62) Division of application No. 29/110,239, filed on Sep. 1, 1999, now Pat. No. Des. 456,171.
- (51) **LOC (7) Cl.** ..... **06-03**
- (52) **U.S. Cl.** ..... **D6/429; D6/419; D6/486**
- (58) **Field of Search** ..... D6/422-428, 429, D6/419, 420, 495, 498; 312/194-196, 204, 208.1; 108/50.01, 50.02, 150, 65, 77, 67, 33, 34, 35, 38, 46, 25

(56) **References Cited**

**U.S. PATENT DOCUMENTS**

- D51,489 S \* 11/1917 Von Carlsberg ..... D6/419
- 1,325,164 A \* 12/1919 Mowrey ..... 108/34
- D193,858 S 10/1962 Chapman et al.
- 4,073,556 A 2/1978 Wilson, Jr.
- D267,837 S \* 2/1983 Migani et al. .... D6/420
- 4,640,199 A 2/1987 Zigman

- 5,072,999 A 12/1991 Trotta et al.
- 5,271,669 A 12/1993 Pearlson
- 5,364,177 A 11/1994 Ugalde
- D360,545 S 7/1995 Lechman
- 5,450,800 A 9/1995 Leonard
- 5,480,224 A 1/1996 Ugalde
- D367,271 S 2/1996 Roberts
- 5,489,938 A 2/1996 Maruyama et al.
- D370,795 S \* 6/1996 Skov et al. .... D6/420
- D371,255 S 7/1996 Richard
- 5,771,613 A 6/1998 Geils et al.
- 5,806,943 A \* 9/1998 Dell et al. .... 312/223.3
- 5,913,582 A 6/1999 Coonan
- D456,171 S \* 4/2002 Coonan et al. .... D6/429

\* cited by examiner

*Primary Examiner*—Janice E. Seeger  
(74) *Attorney, Agent, or Firm*—Liell & McNeil

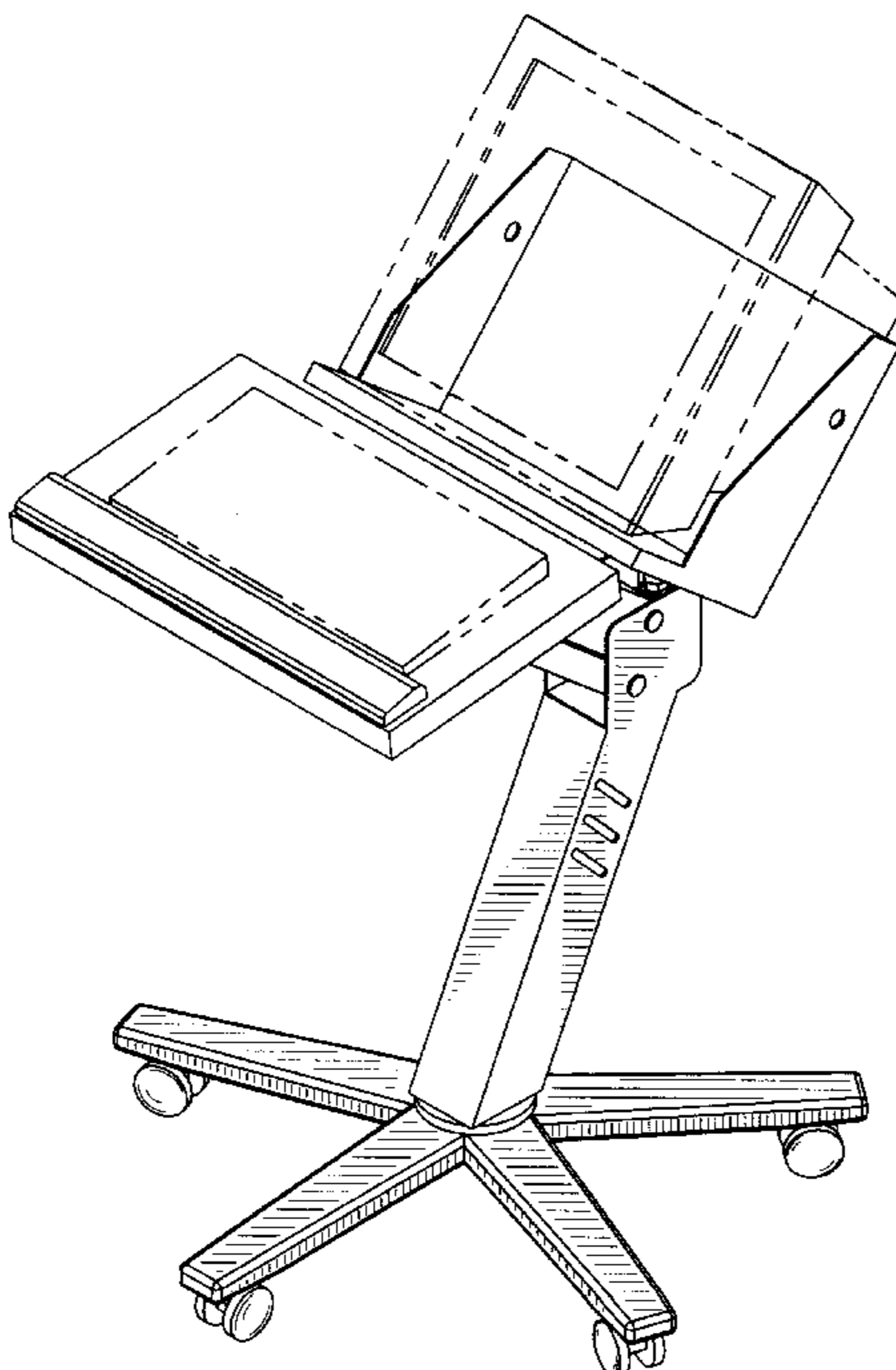
(57) **CLAIM**

The ornamental design of the vertically adjustable mobile computer workstation, as shown and described.

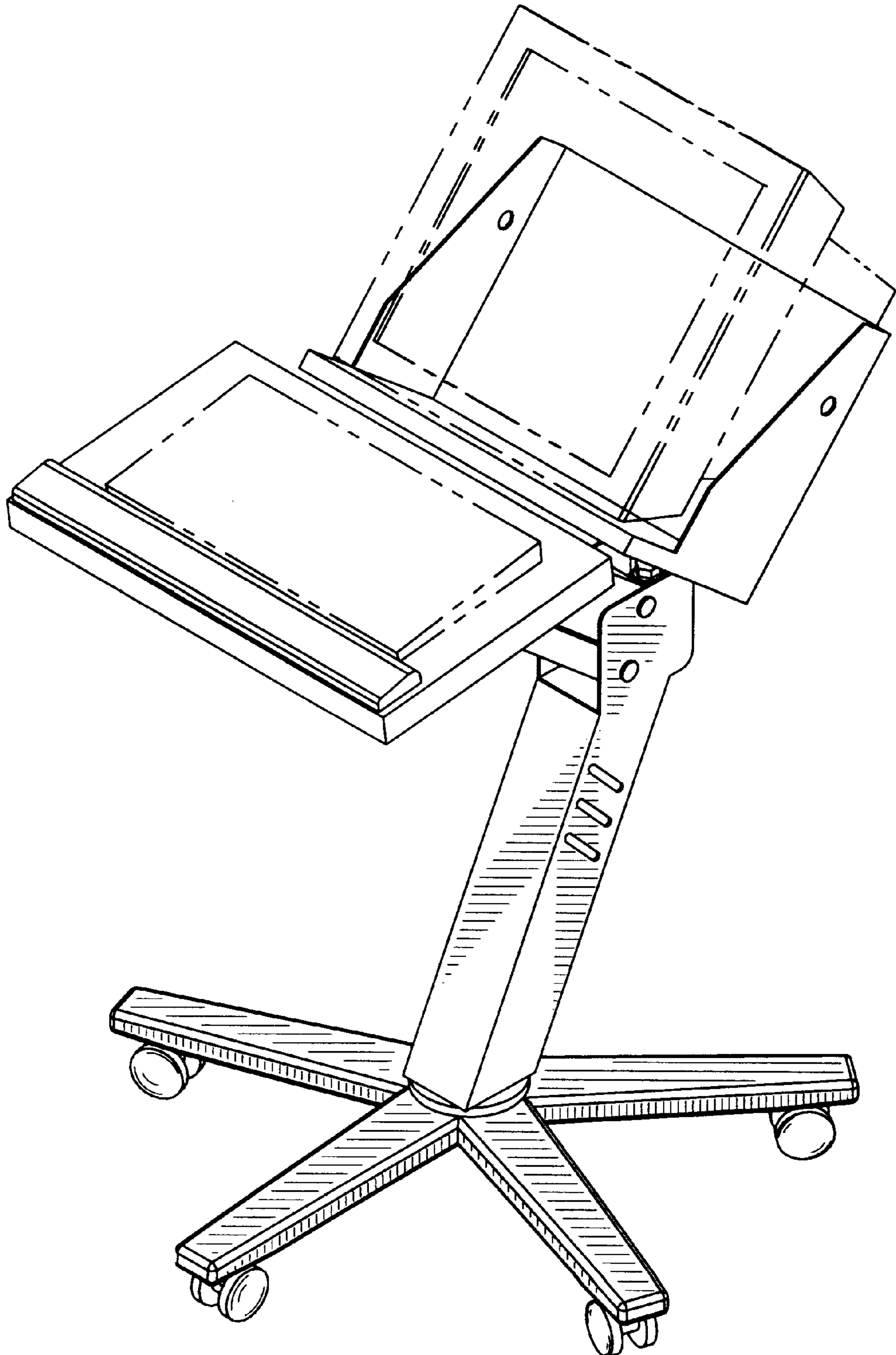
**DESCRIPTION**

FIG. 1 is an isometric view of a vertically adjustable mobile computer workstation according to the present invention. FIG. 2 is a front view of the vertically adjustable mobile computer workstation of FIG. 1 in a standing user position; and, FIG. 3 is a front view of the vertically adjustable mobile computer workstation of FIG. 1 in a sitting user position. The broken lines are for environmental purposes only and form no part of the claimed design. The rear of the article, not shown, is not part of the claimed design.

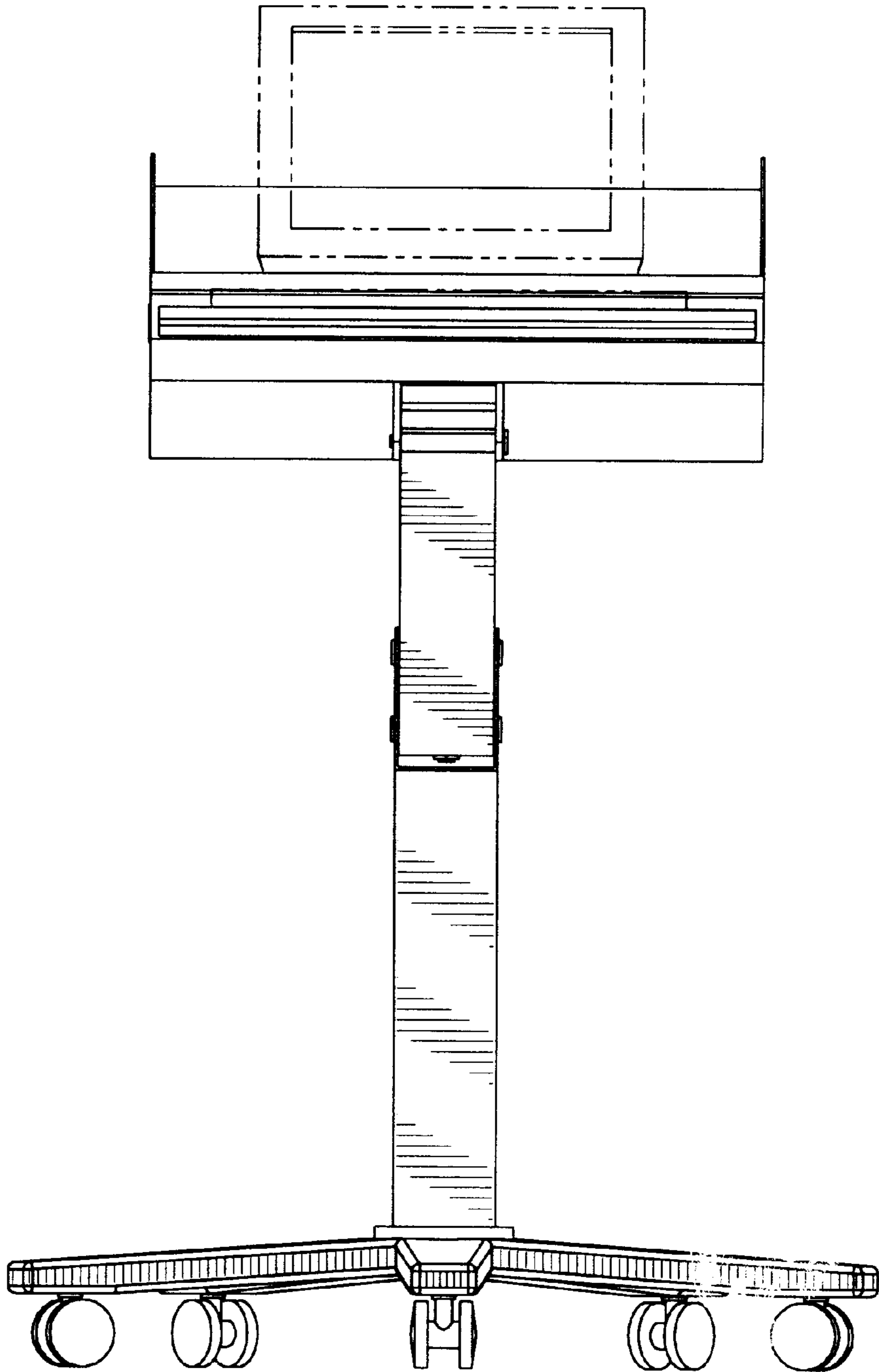
**1 Claim, 3 Drawing Sheets**



*Fig 1*



*Fig 2*



*Fig 3*

