



US00D466720S

(12) **United States Design Patent**
Probst

(10) **Patent No.:** **US D466,720 S**

(45) **Date of Patent:** **** Dec. 10, 2002**

(54) **CORNER COMPUTER WORKSTATION**

5,610,798 A 3/1997 Lochridge
5,857,415 A * 1/1999 Richard 108/50.01
6,305,766 B1 10/2001 Lochridge

(75) Inventor: **Richard Probst**, Lamar, MO (US)

(73) Assignee: **O'Sullivan Industries, Inc.**, Lamar, MO (US)

(**) Term: **14 Years**

(21) Appl. No.: **29/149,708**

(22) Filed: **Oct. 12, 2001**

Related U.S. Application Data

(63) Continuation of application No. 09/952,562, filed on Sep. 12, 2001.

(51) **LOC (7) Cl.** **06-04**

(52) **U.S. Cl.** **D6/426; D6/427**

(58) **Field of Search** D6/422-428, 495, D6/464, 465, 474, 477, 479; 312/194-196, 208.1, 23.8, 204, 223, 300, 223.2, 223.3; 108/50.01, 50.02, 92, 59

(56) **References Cited**

U.S. PATENT DOCUMENTS

1,016,821 A * 2/1912 Exline 312/194
D276,199 S * 11/1984 Kwiecinski et al. D6/420

OTHER PUBLICATIONS

Modern Furniture, 1997, p. 28, #H at bottom center.*
Catalogue—*Workspheres*, p. 98.

* cited by examiner

Primary Examiner—Janice E. Seeger

(74) *Attorney, Agent, or Firm*—Haynes and Boone, LLP

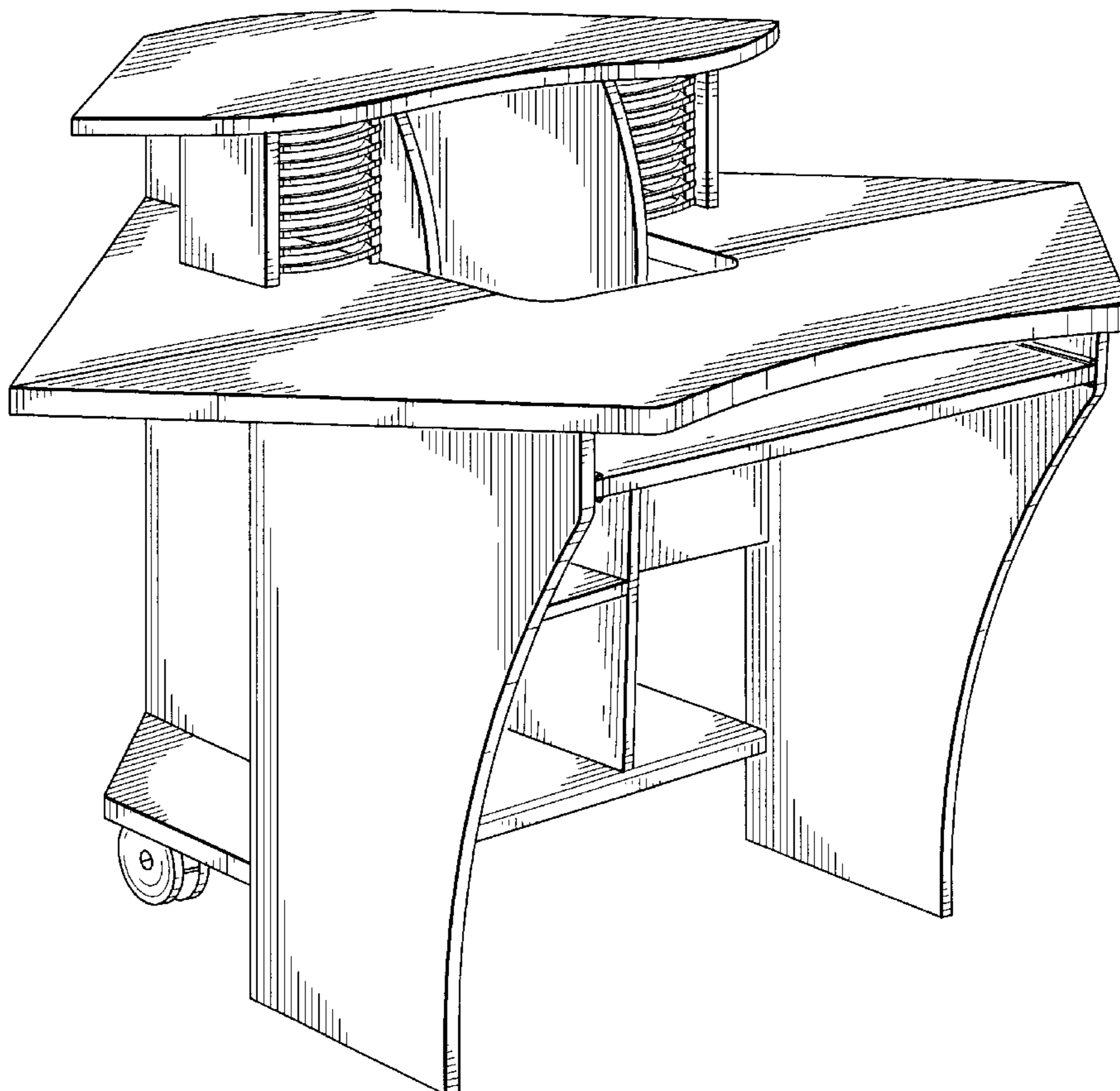
(57) **CLAIM**

The ornamental design for a corner computer workstation, as shown and described.

DESCRIPTION

FIG. 1 is a perspective view of a corner computer workstation showing our new design;
FIG. 2 is a front elevational view thereof;
FIG. 3 is a left side elevational view thereof;
FIG. 4 is a rear elevational view thereof;
FIG. 5 is a right side elevational view thereof;
FIG. 6 is a top plan view thereof; and,
FIG. 7 is a bottom plan view thereof.

1 Claim, 4 Drawing Sheets



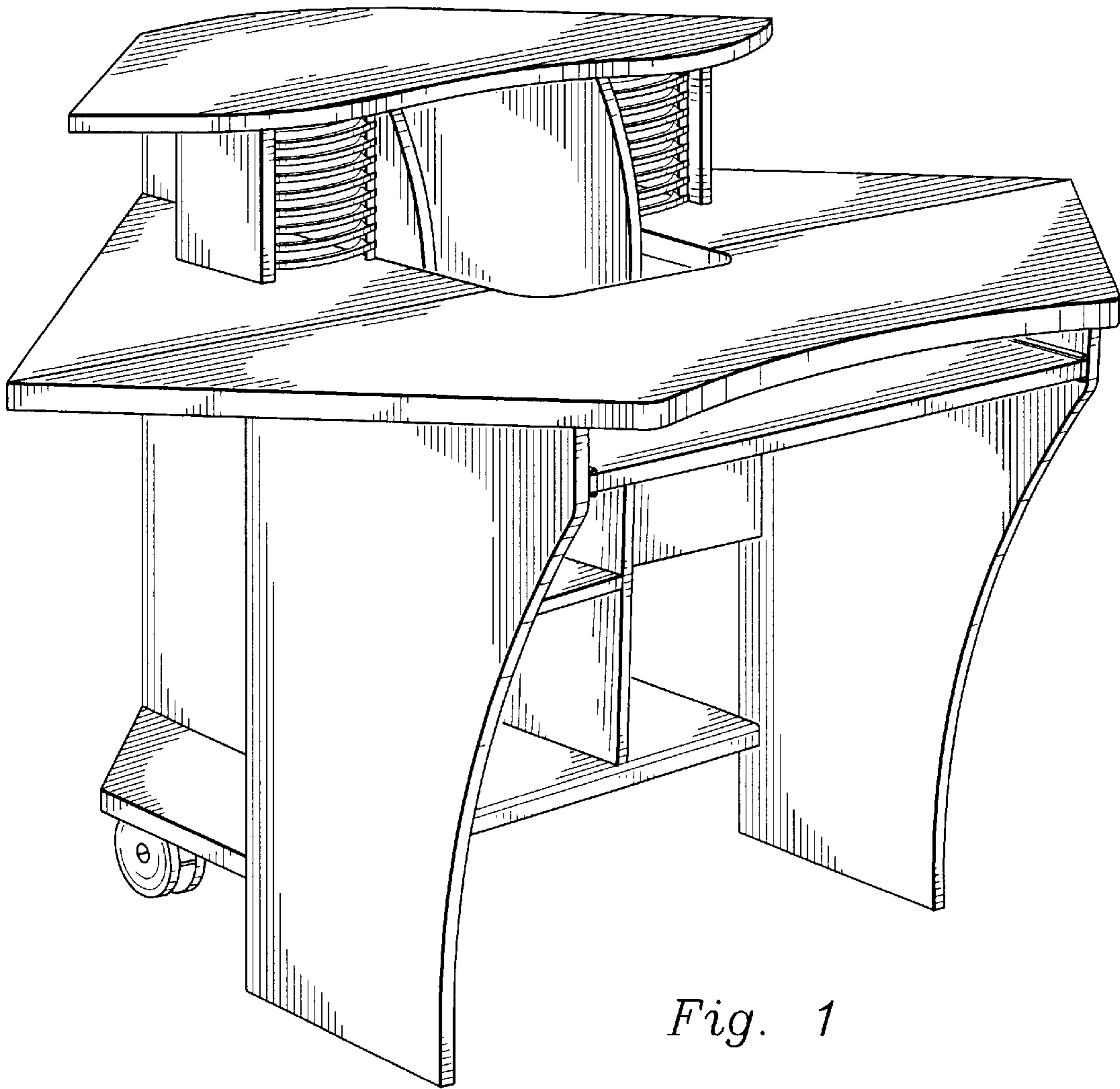


Fig. 1

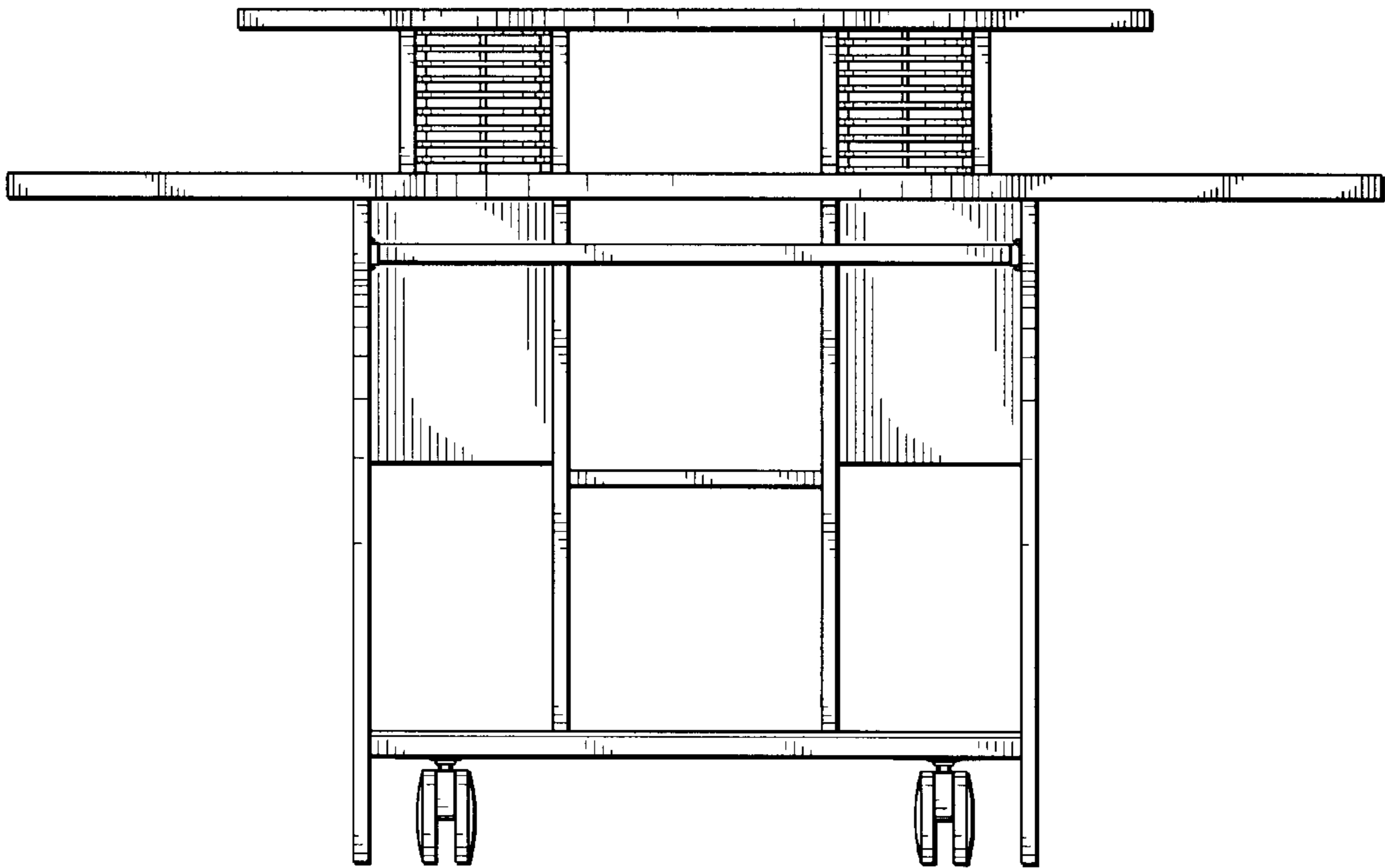


Fig. 2

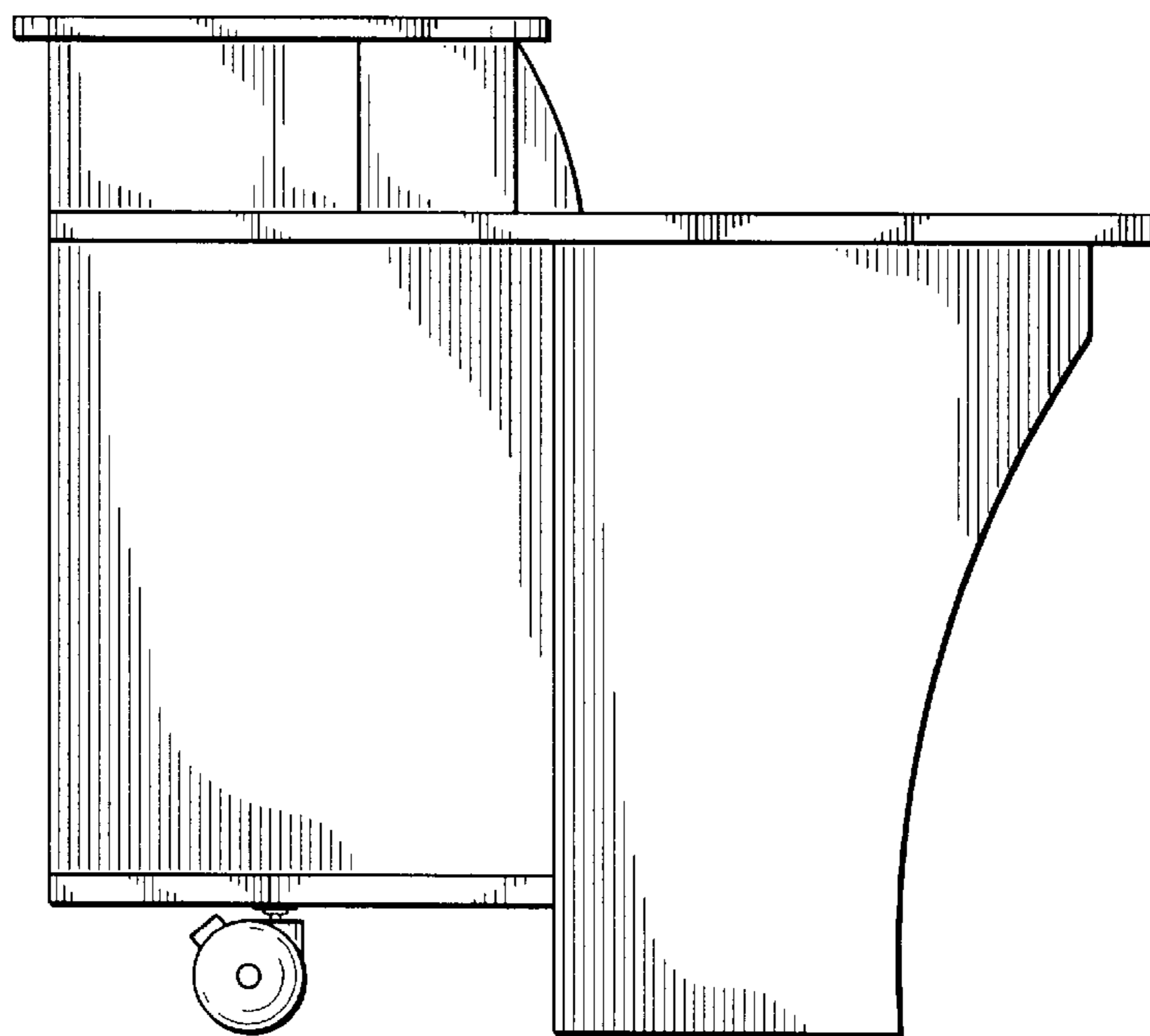


Fig. 3

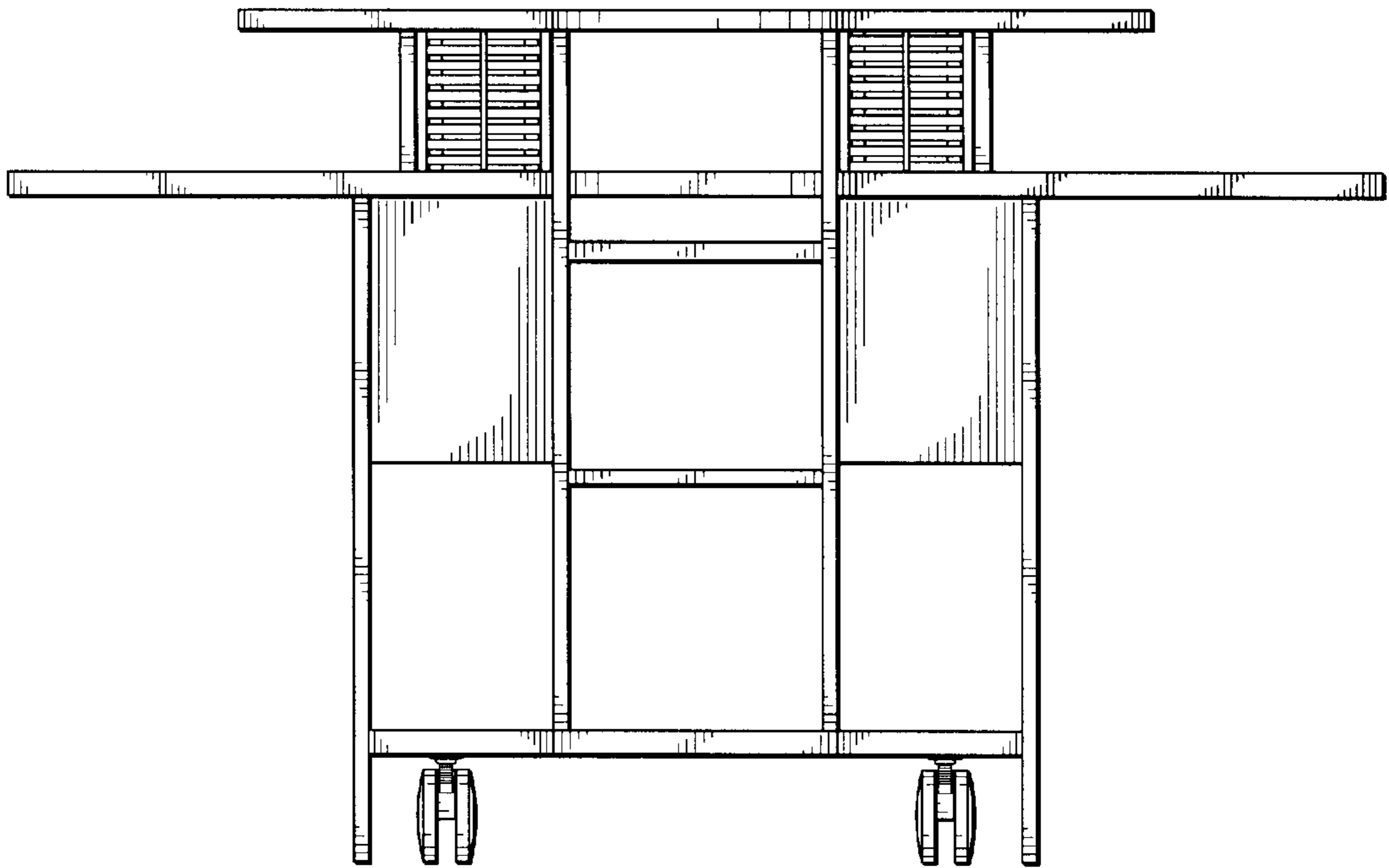


Fig. 4

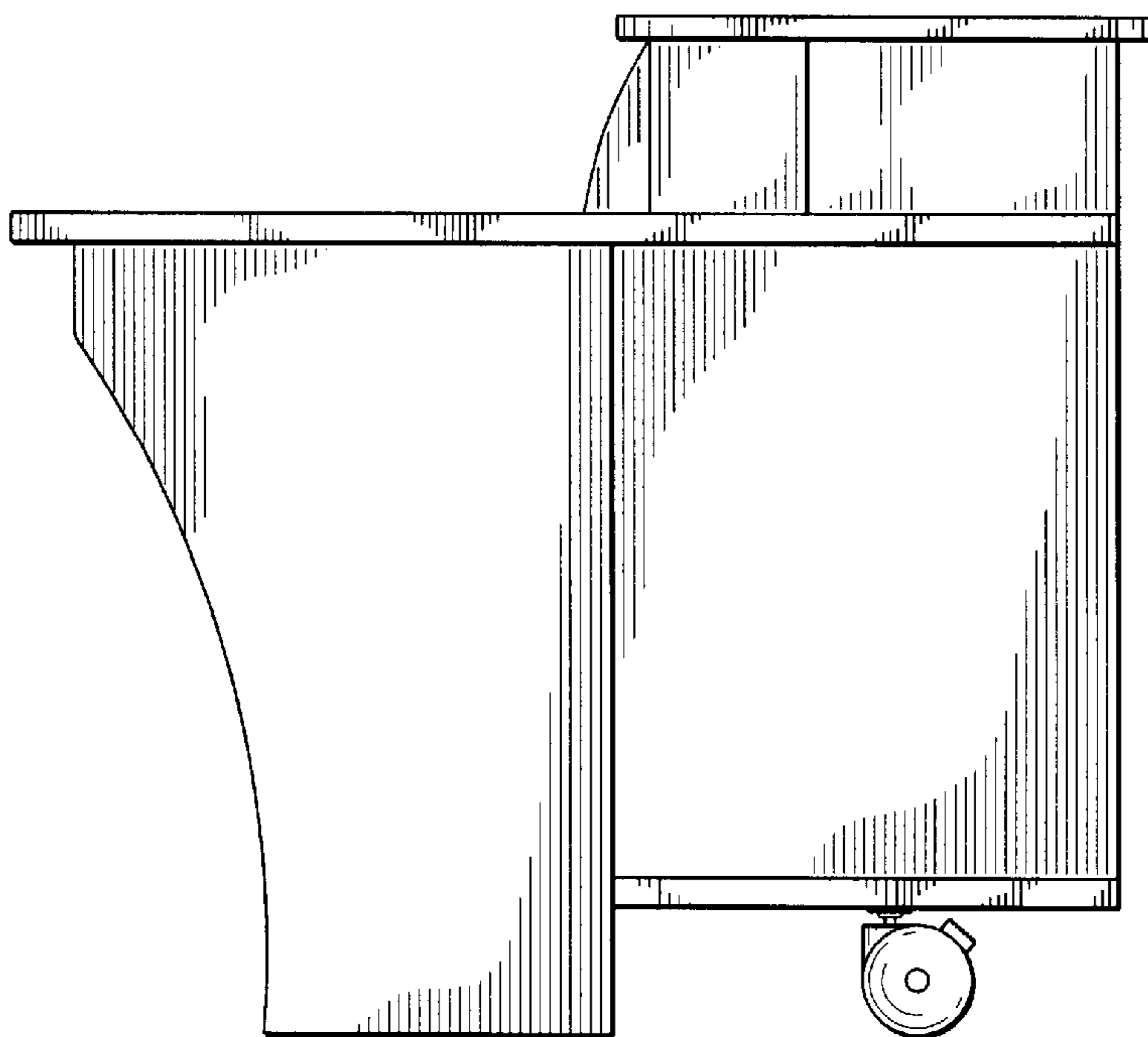


Fig. 5

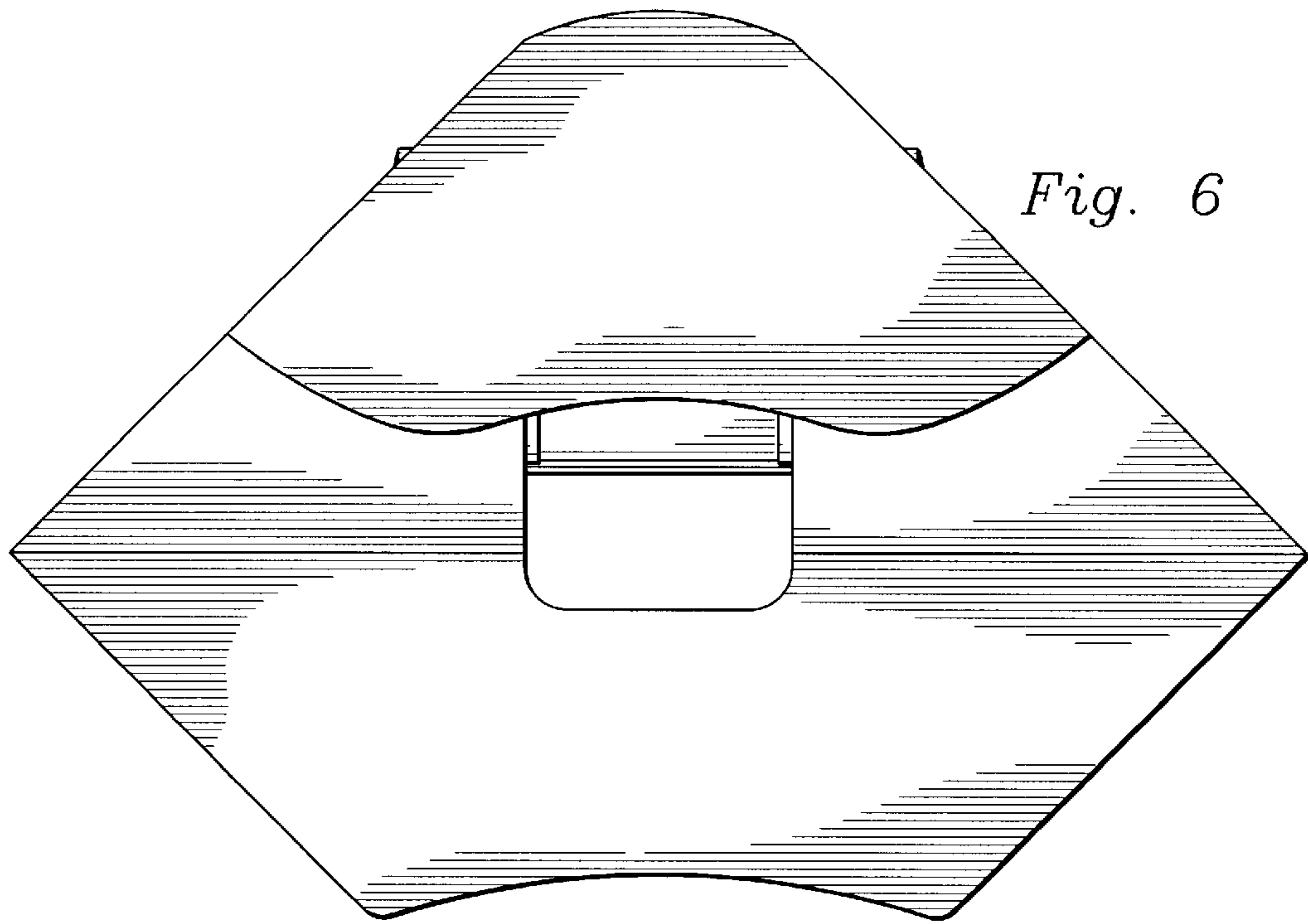


Fig. 6

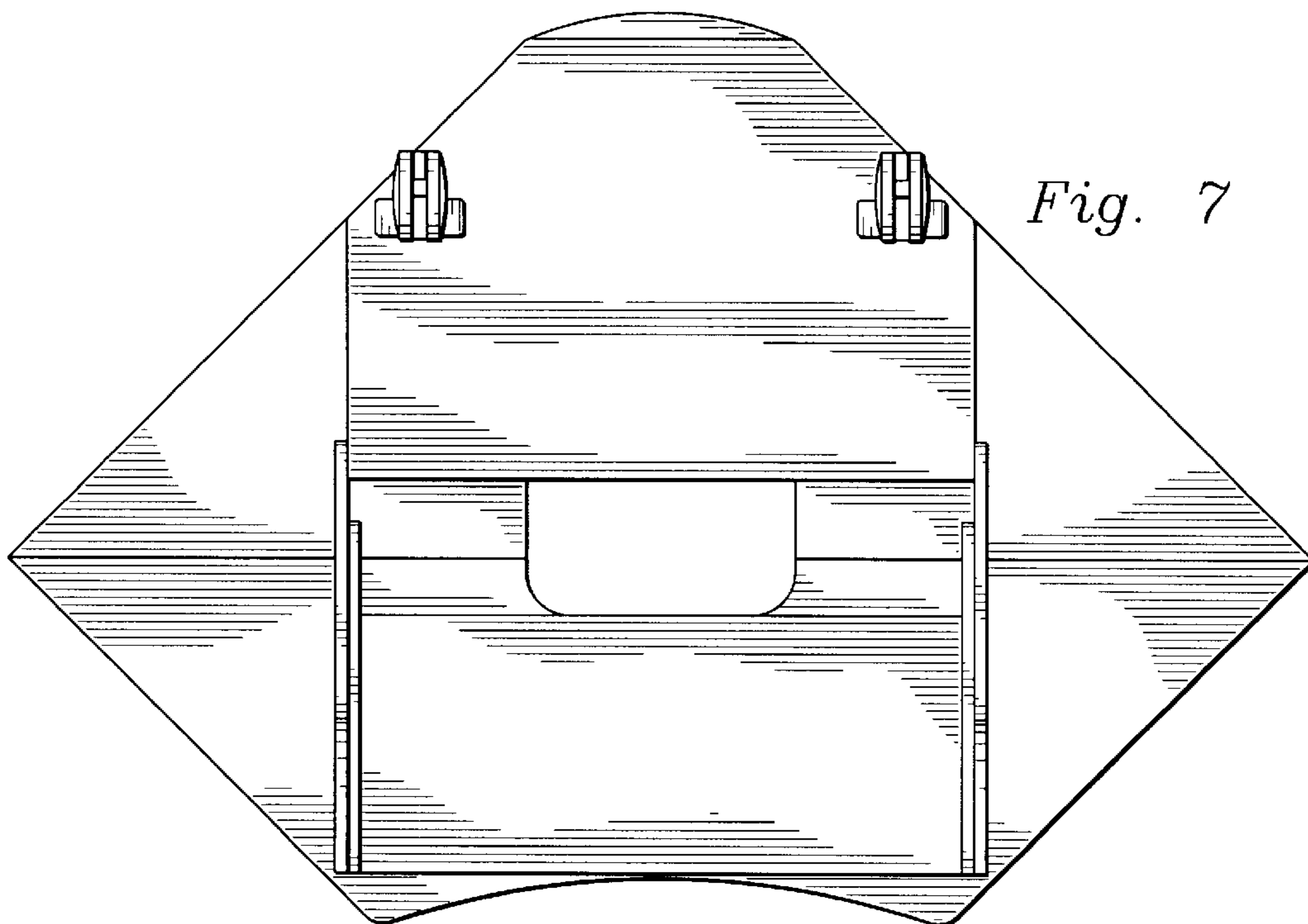


Fig. 7