



US00D466717S

(12) **United States Design Patent**
Cho

(10) **Patent No.:** **US D466,717 S**

(45) **Date of Patent:** **** Dec. 10, 2002**

(54) **WORKTABLE**

D415,365 S * 10/1999 Nicklas D6/400

(75) Inventor: **Lien-Chiu Cho**, Taichung Hsien (TW)

* cited by examiner

(73) Assignee: **E-Make Co., Ltd.**, Taichung Hsien (TW)

Primary Examiner—Cathron C. Brooks

(74) *Attorney, Agent, or Firm*—Troxell Law Office PLLC

(**) Term: **14 Years**

(57) **CLAIM**

The ornamental design for a worktable, as shown.

(21) Appl. No.: **29/144,088**

DESCRIPTION

(22) Filed: **Jun. 27, 2001**

(51) **LOC (7) Cl.** **06-04**

(52) **U.S. Cl.** **D6/400**

(58) **Field of Search** D6/409–415, 449,
D6/455–458, 461–462, 464–468, 474, 476,
400, 436; 144/226.1, 286.5

FIG. 1 is a perspective view of a worktable showing my design;

FIG. 2 is a front view thereof;

FIG. 3 is a rear view thereof;

FIG. 4 is a left side view thereof;

FIG. 5 is a right side view thereof;

FIG. 6 is a top view thereof; and,

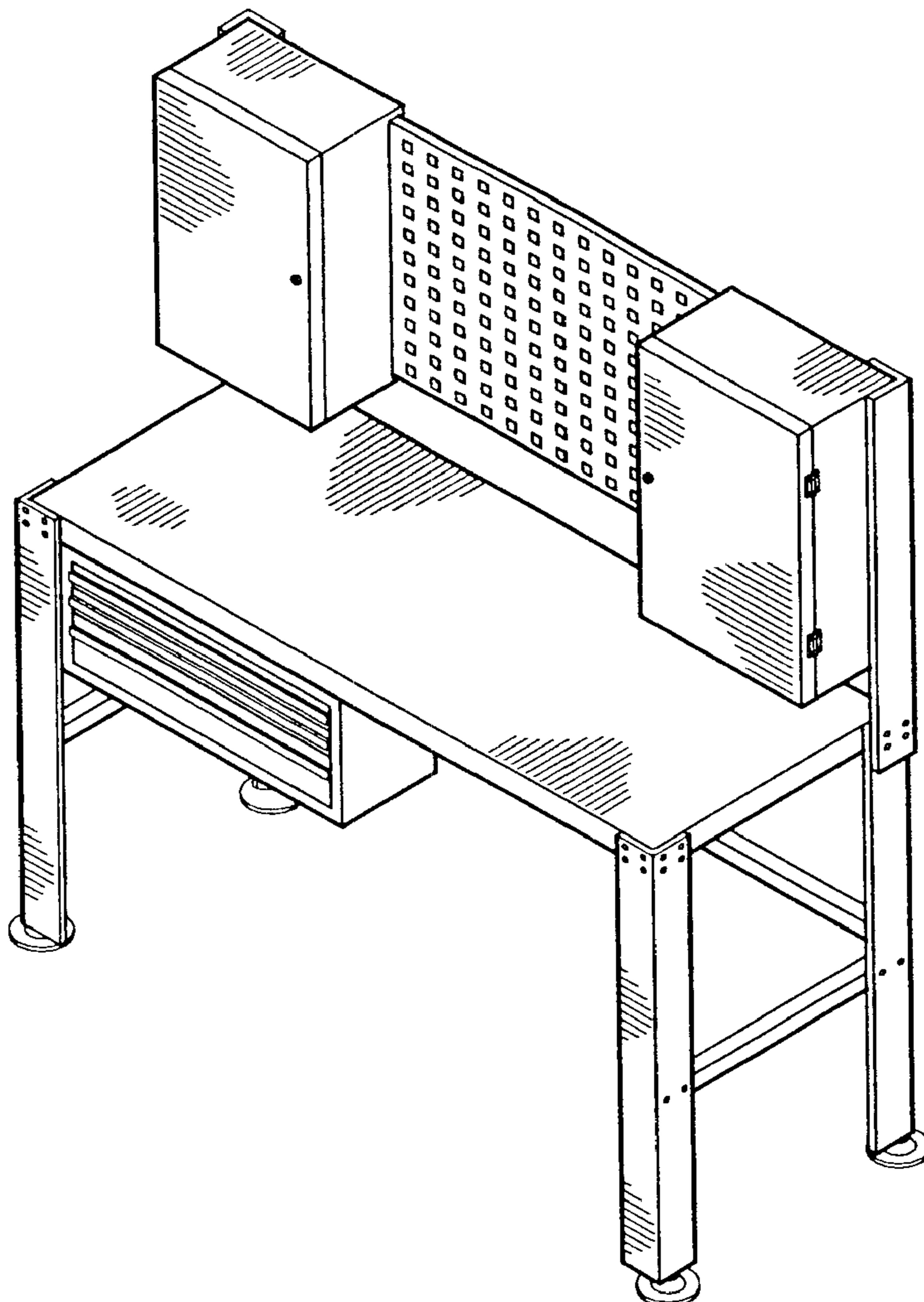
FIG. 7 is a bottom view thereof.

(56) **References Cited**

U.S. PATENT DOCUMENTS

D254,112 S * 2/1980 Handler et al. D6/431

1 Claim, 4 Drawing Sheets



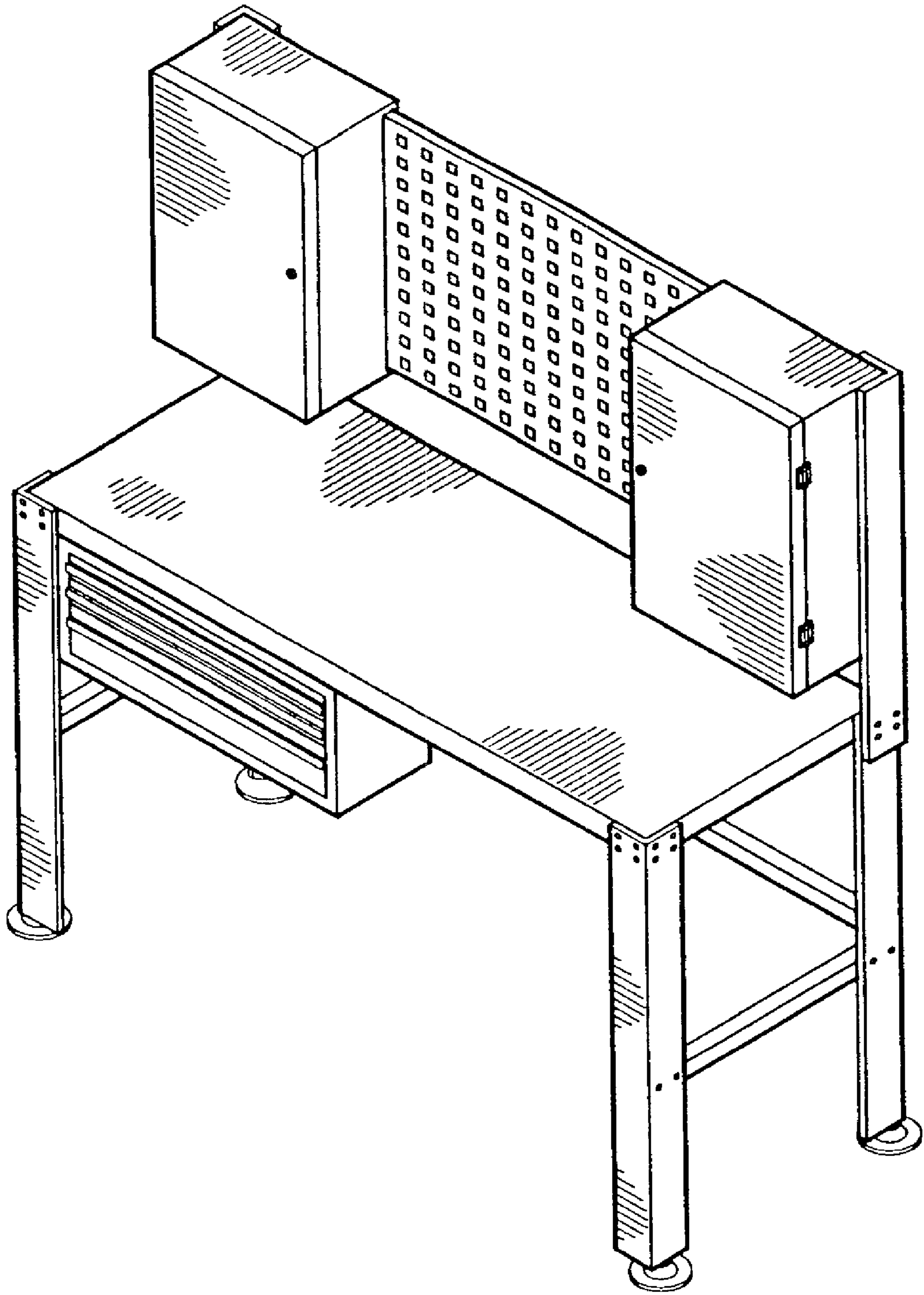


Fig. 1

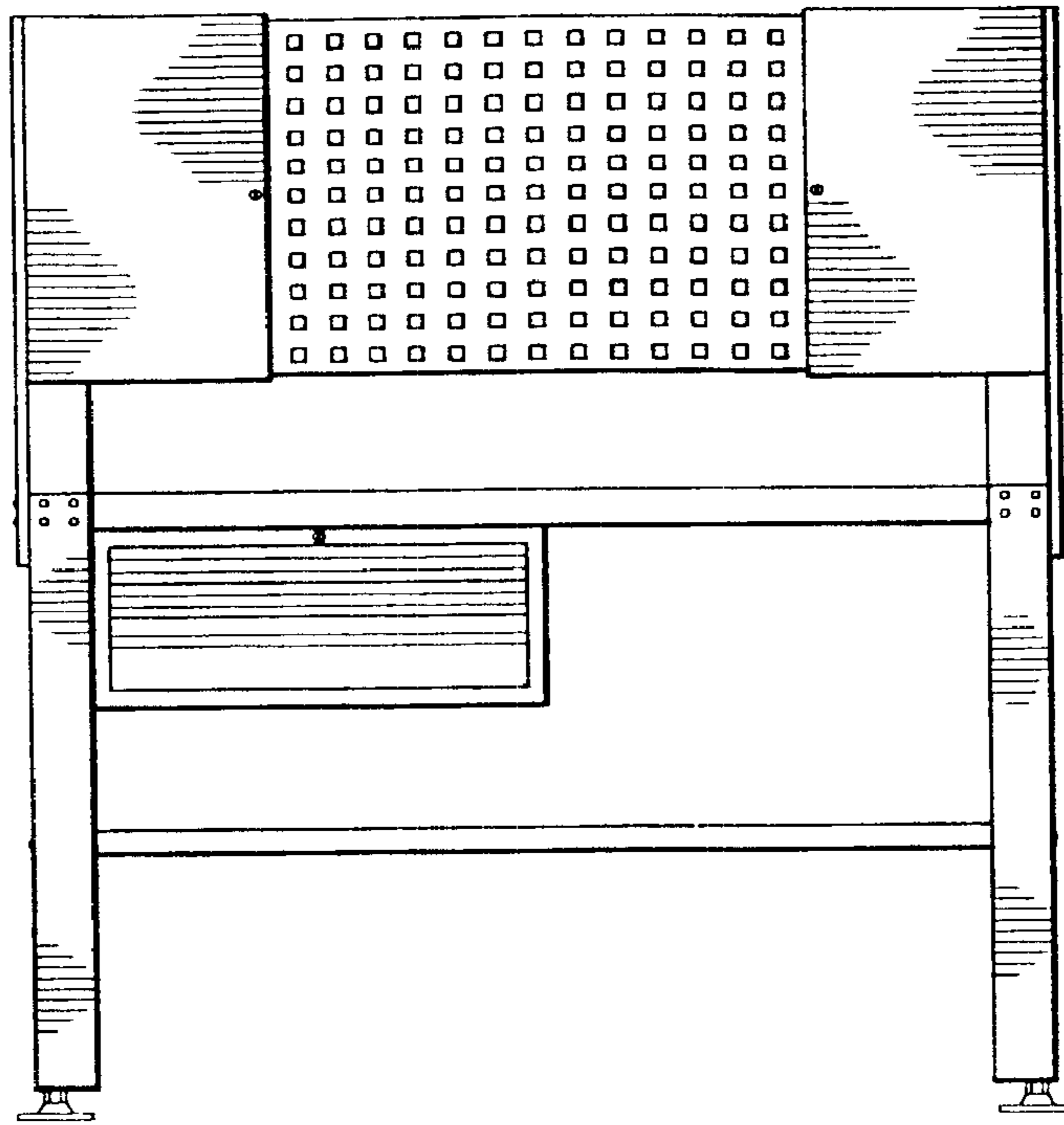


Fig. 2

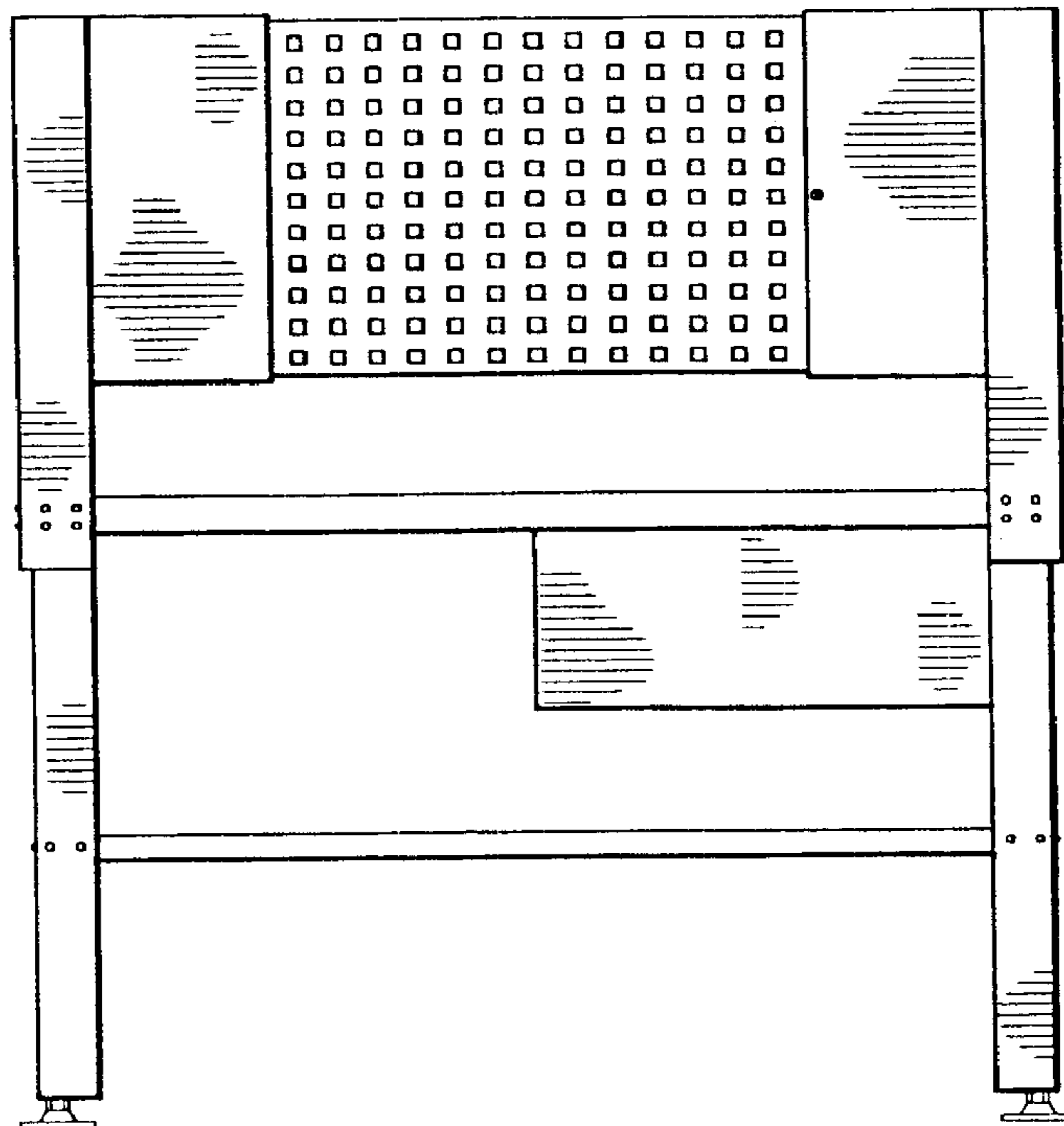


Fig. 3

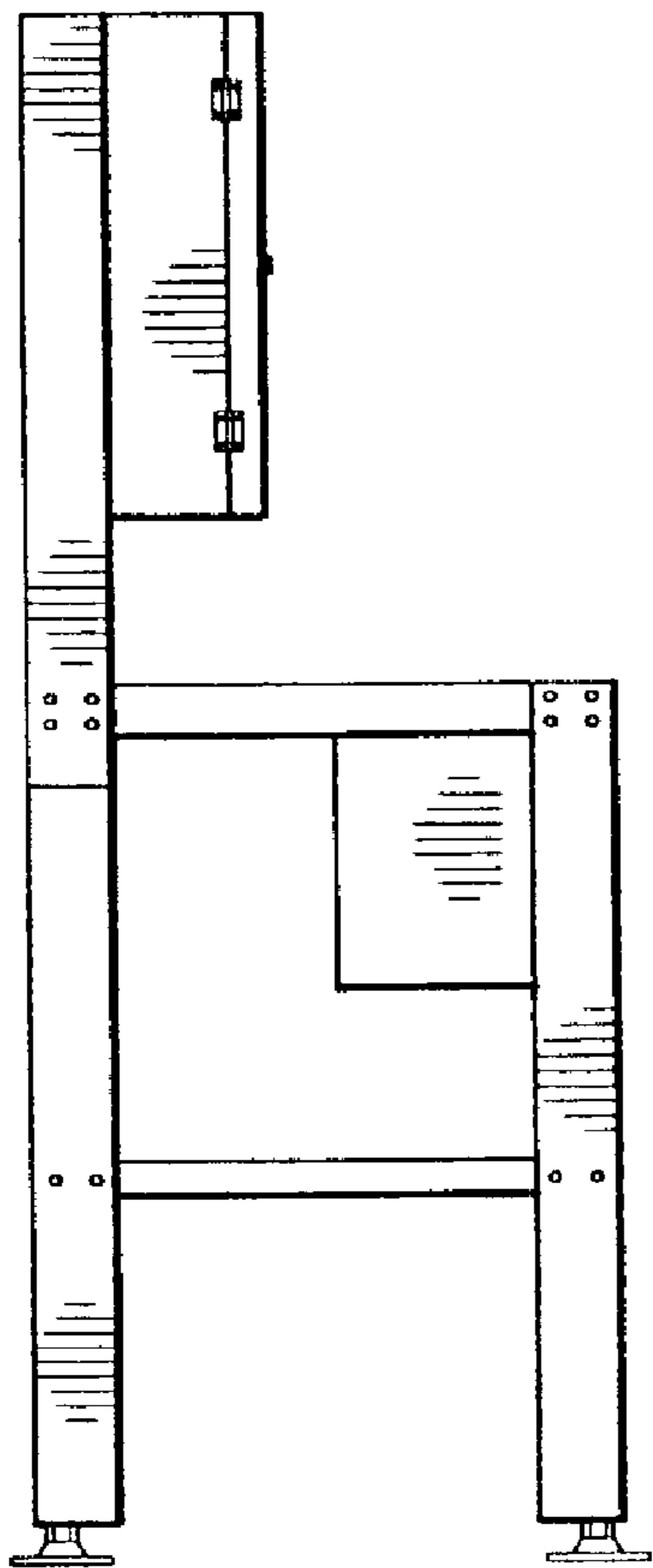


Fig. 4

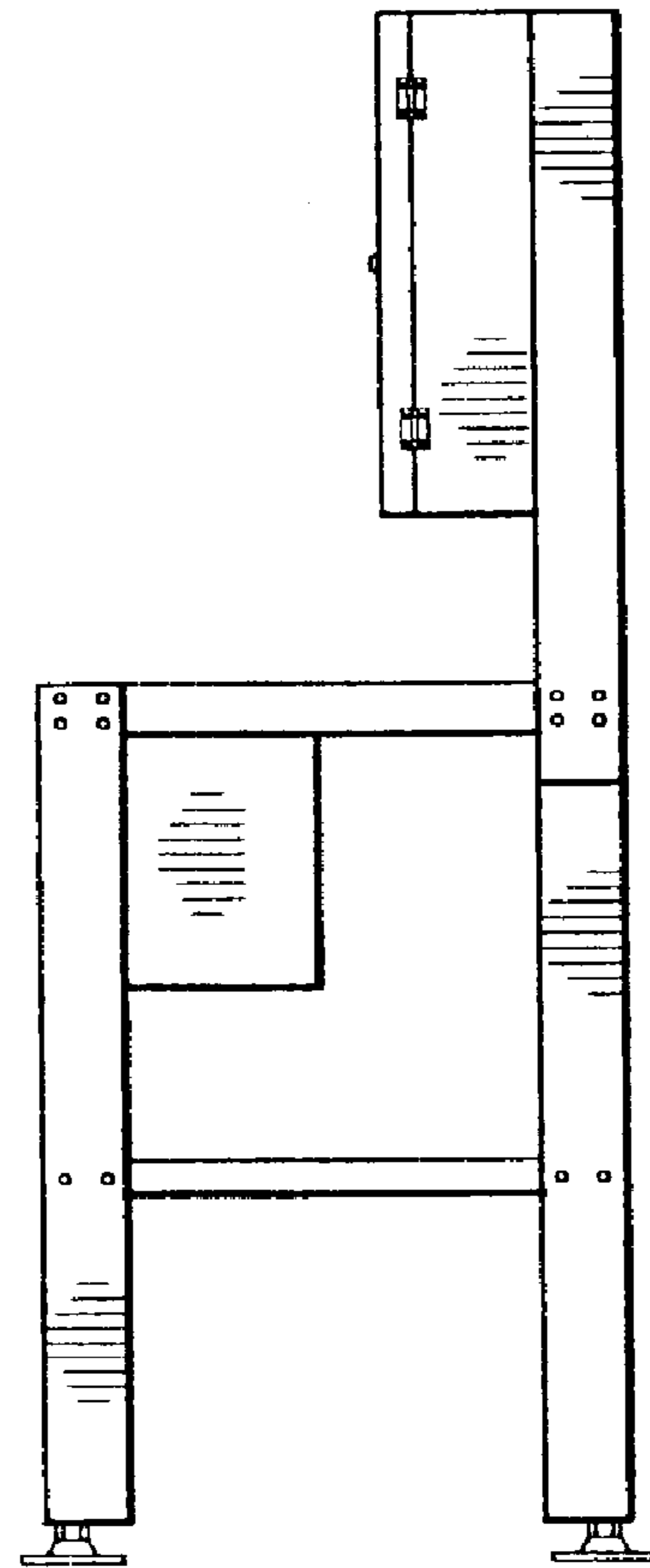


Fig. 5

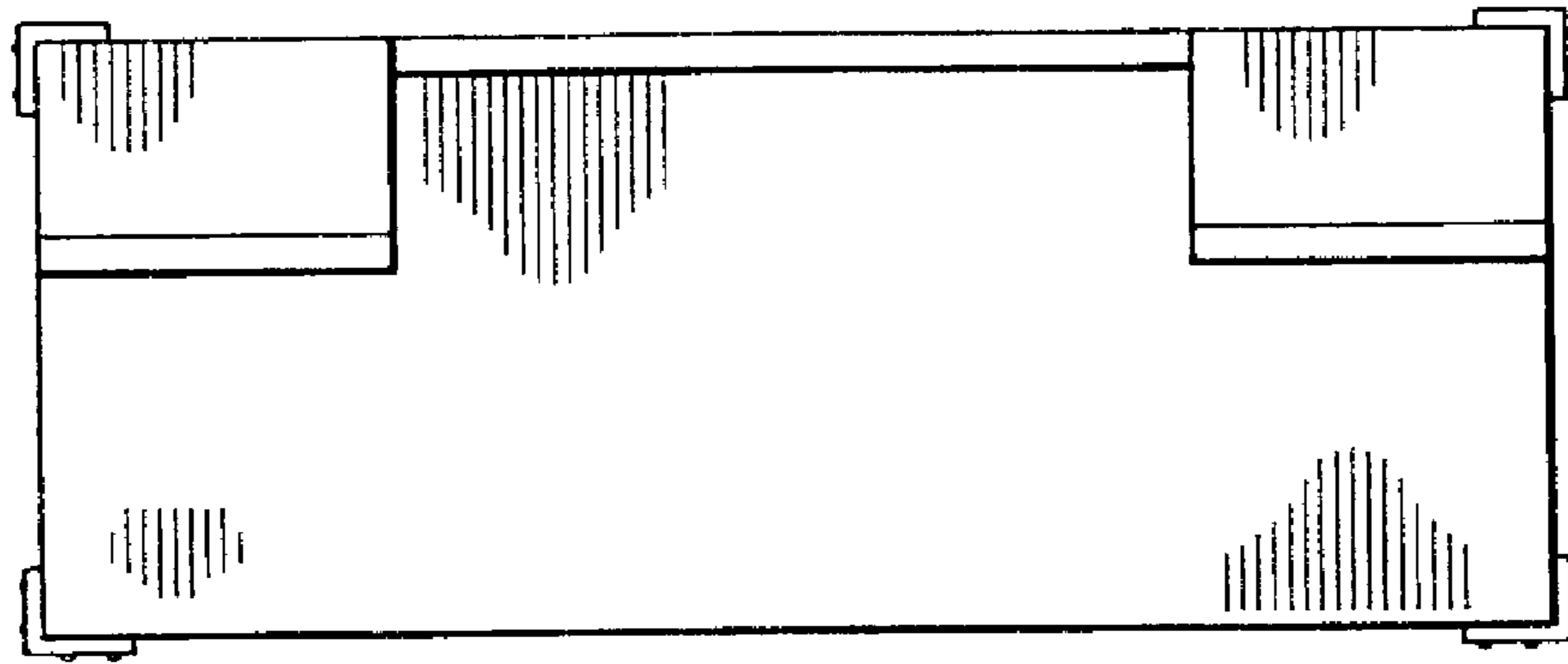


Fig. 6

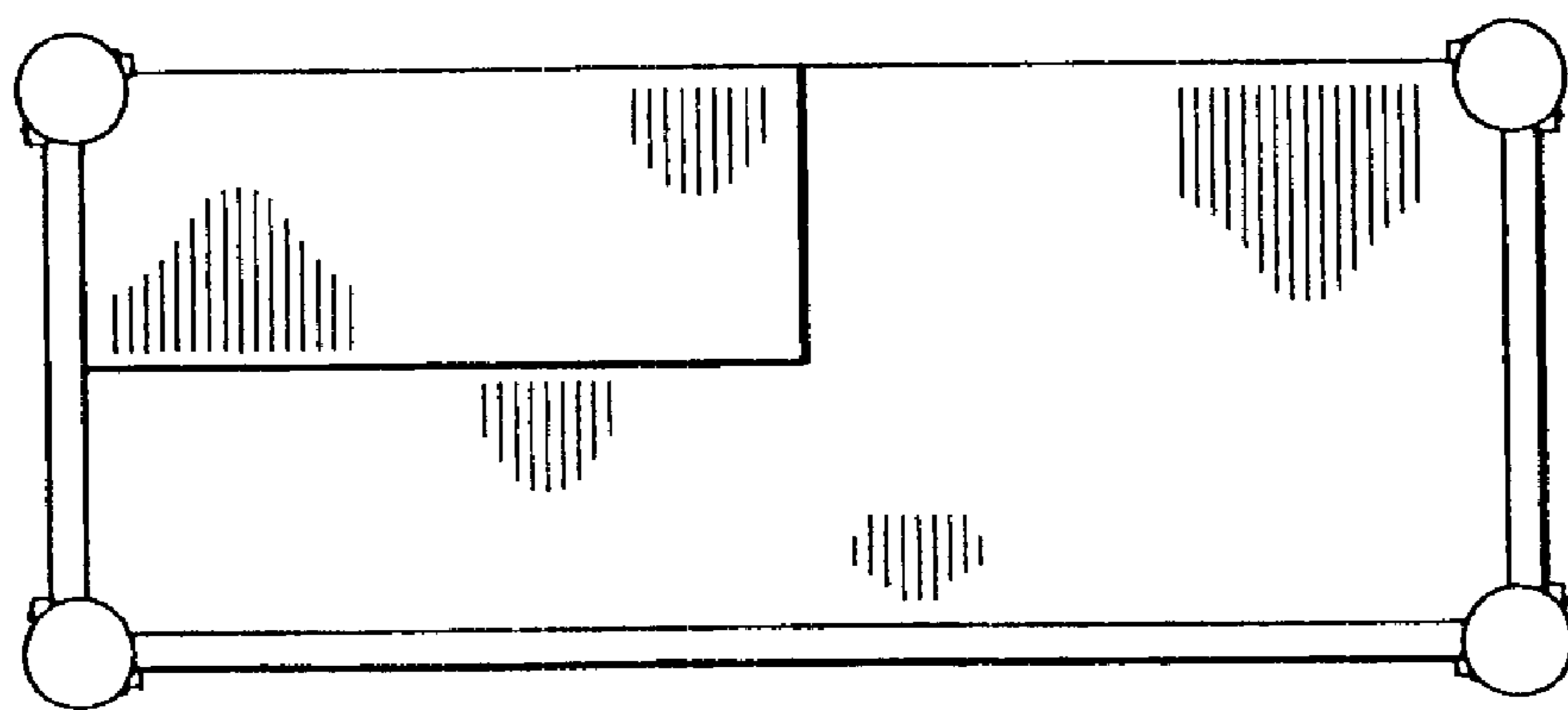


Fig. 7