



US00D466706S

(12) **United States Design Patent**
Malizia

(10) **Patent No.:** **US D466,706 S**

(45) **Date of Patent:** **** Dec. 10, 2002**

(54) **COLLAPSIBLE CHAIR**

(75) Inventor: **Mario Malizia**, Castelfidardo (IT)

(73) Assignee: **TAM Srl**, Recanati (IT)

(**) Term: **14 Years**

(21) Appl. No.: **29/148,954**

(22) Filed: **Sep. 26, 2001**

(51) **LOC (7) Cl.** **06-01**

(52) **U.S. Cl.** **D6/349**

(58) **Field of Search** D6/349-353, 355,
D6/495, 496, 367, 360, 429; 297/461, 462,
423.1, 423.14, 423.15, 423.16, 423.39,
423.4, 423.41

(56) **References Cited**

U.S. PATENT DOCUMENTS

D170,100 S * 7/1953 Torsak D6/352
4,109,961 A * 8/1978 Opsvik D6/367 X
4,248,161 A * 2/1981 Adair et al. D6/484 X

* cited by examiner

Primary Examiner—Janice E. Seeger

(74) *Attorney, Agent, or Firm*—Amster, Rothstein & Ebenstein

(57) **CLAIM**

The ornamental design for a collapsible chair, as shown and described.

DESCRIPTION

FIG. 1 is an isometric view from the top, front and one side, of a collapsible chair showing my new design, in an orientation of use;

FIG. 2 is a side elevational view thereof from the one side, the other side being mirror image thereof;

FIG. 3 is a front elevational view thereof;

FIG. 4 is a rear elevation view thereof;

FIG. 5 is a top plan view thereof;

FIG. 6 is a bottom plan view thereof;

FIG. 7 is an isometric view thereof similar to FIG. 1, but in a retracted orientation; and,

FIG. 8 is a side elevational view thereof, similar to FIG. 2, but in a retracted and collapsed storage orientation.

1 Claim, 7 Drawing Sheets

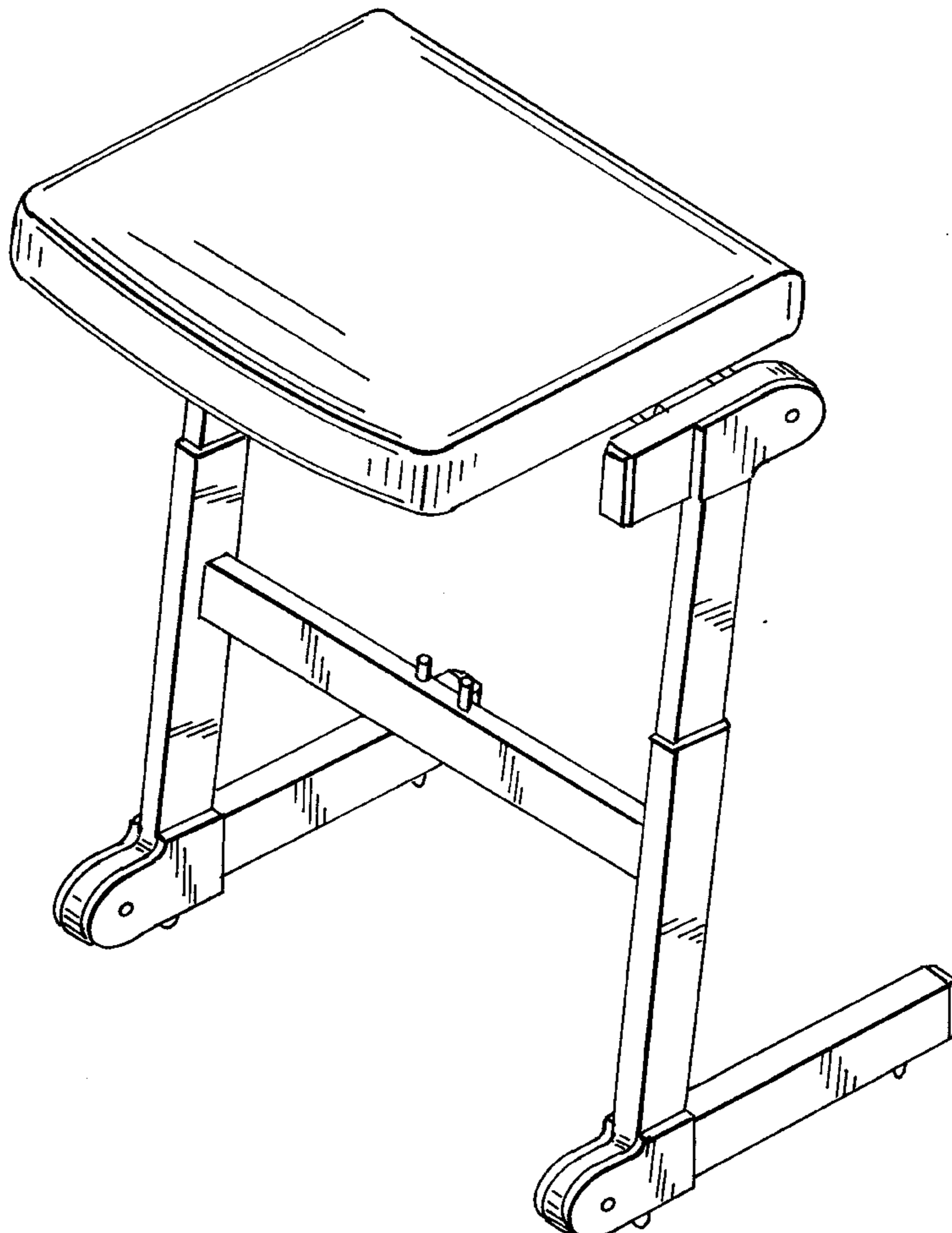
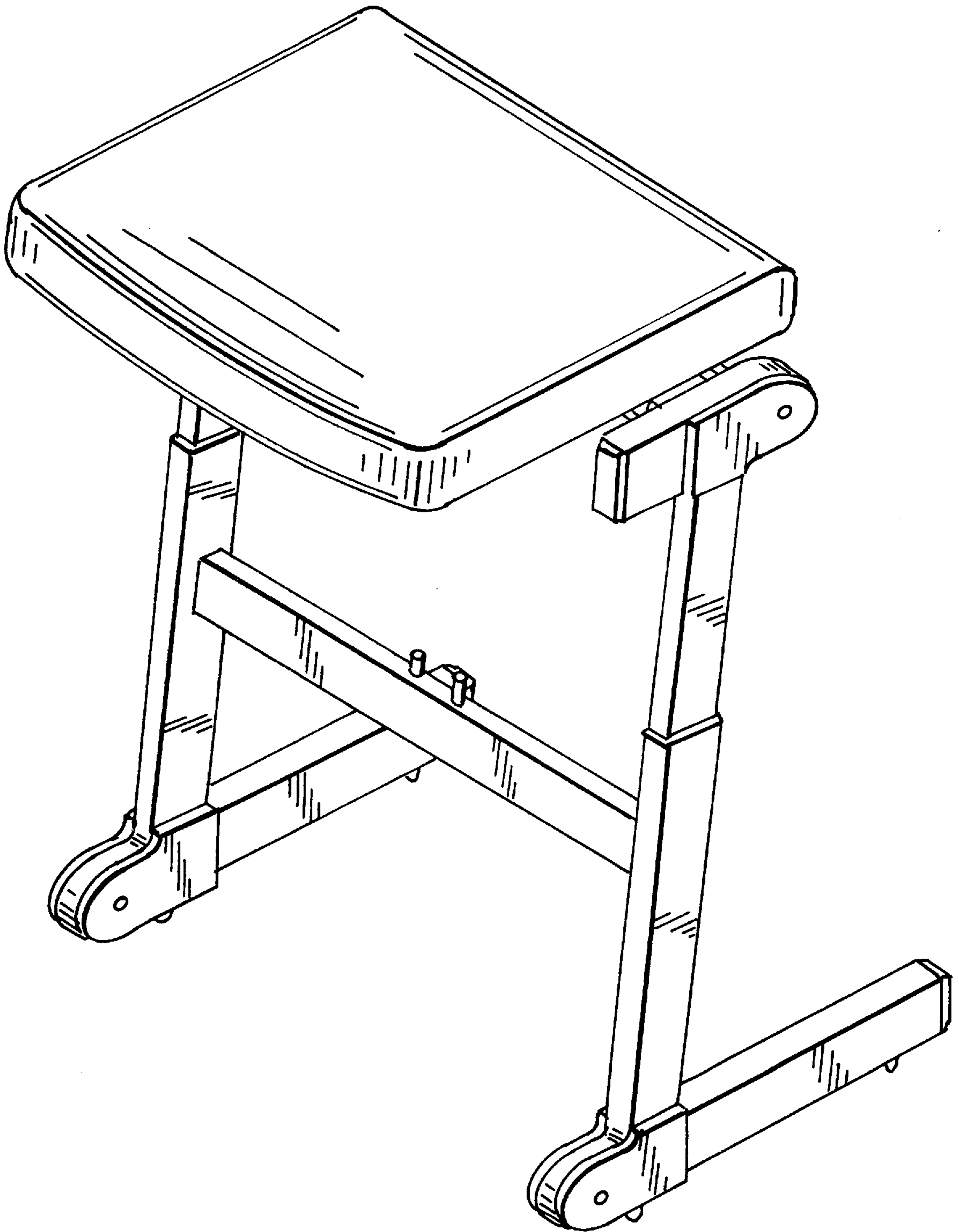


FIG. 1



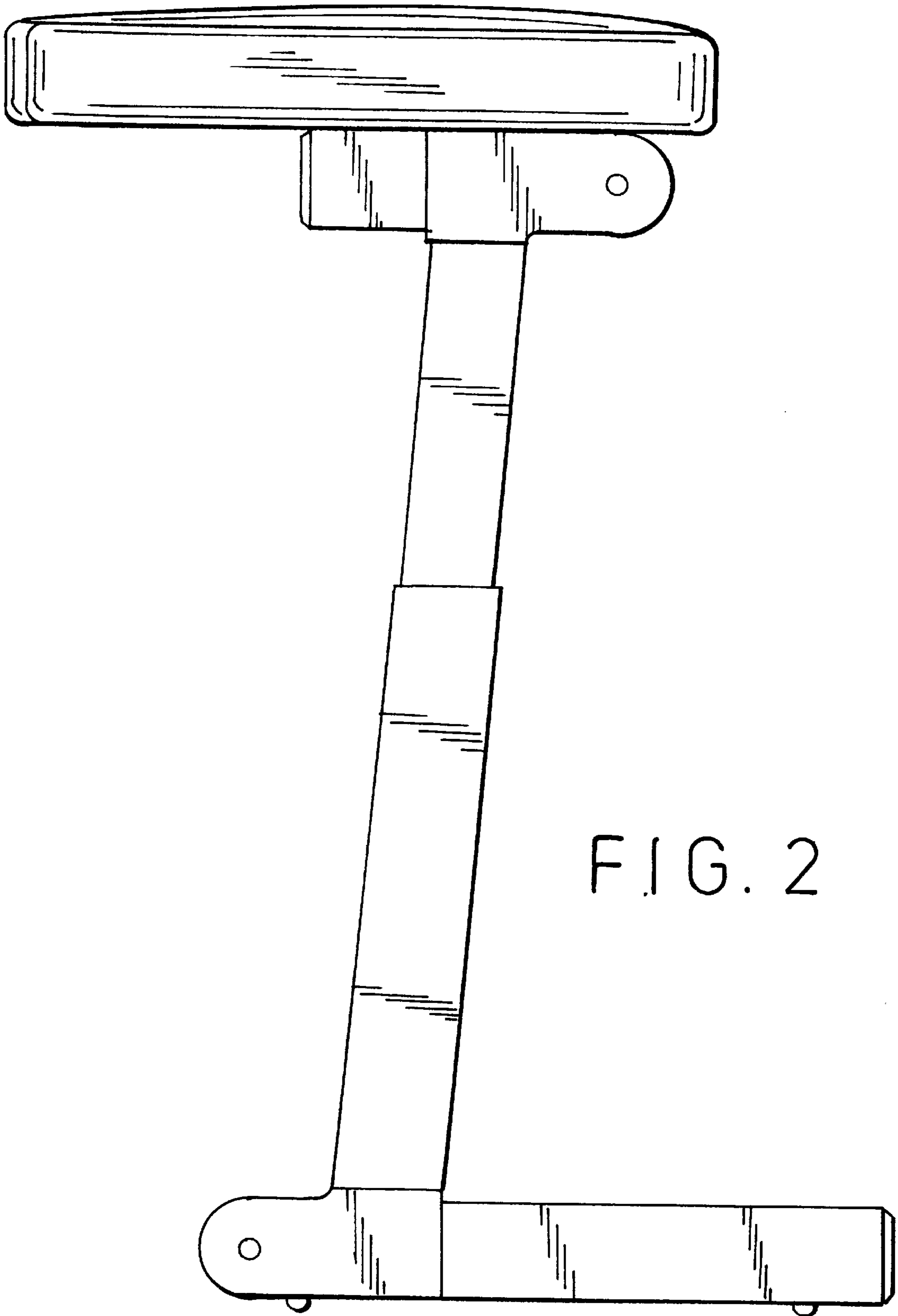


FIG. 2

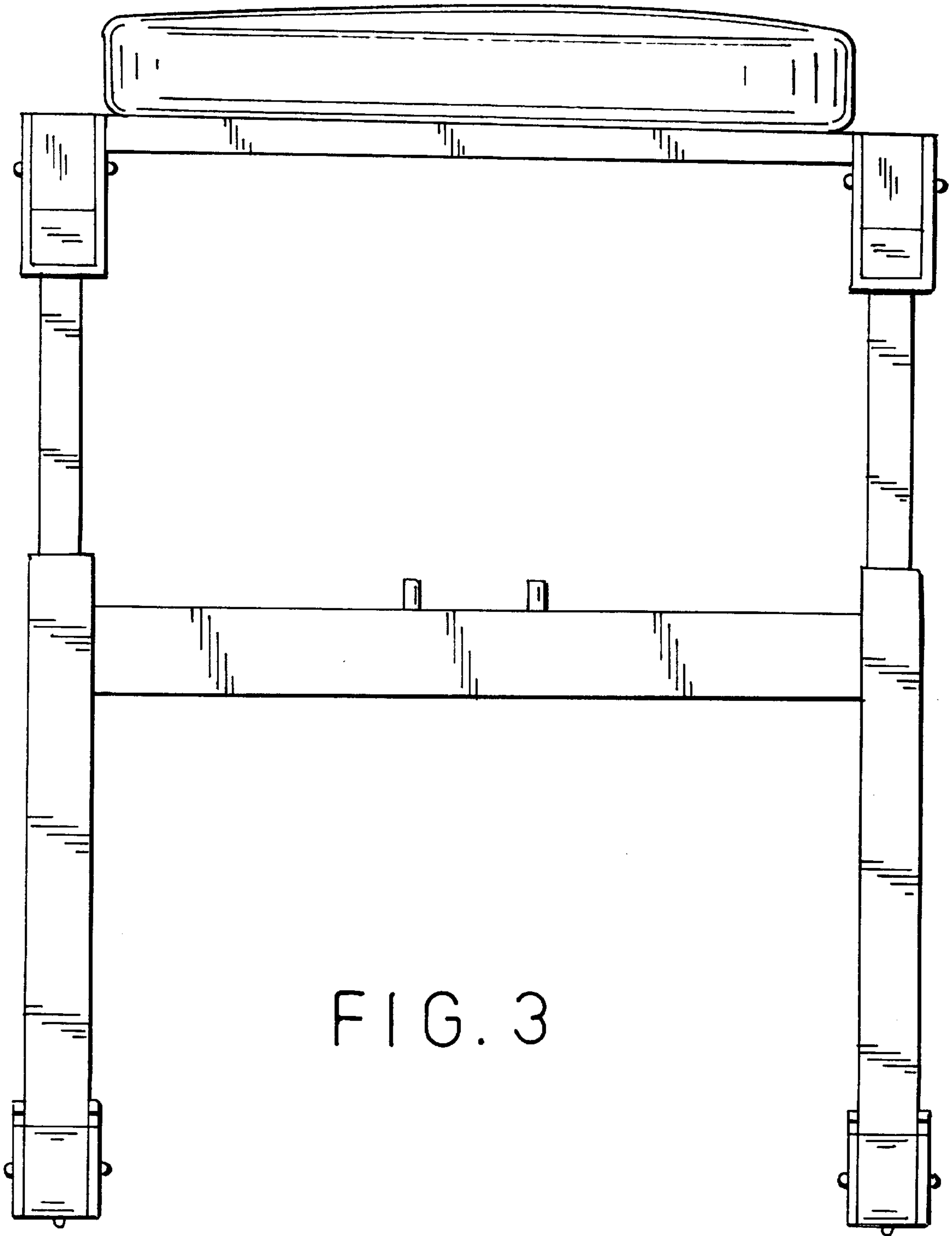


FIG. 3

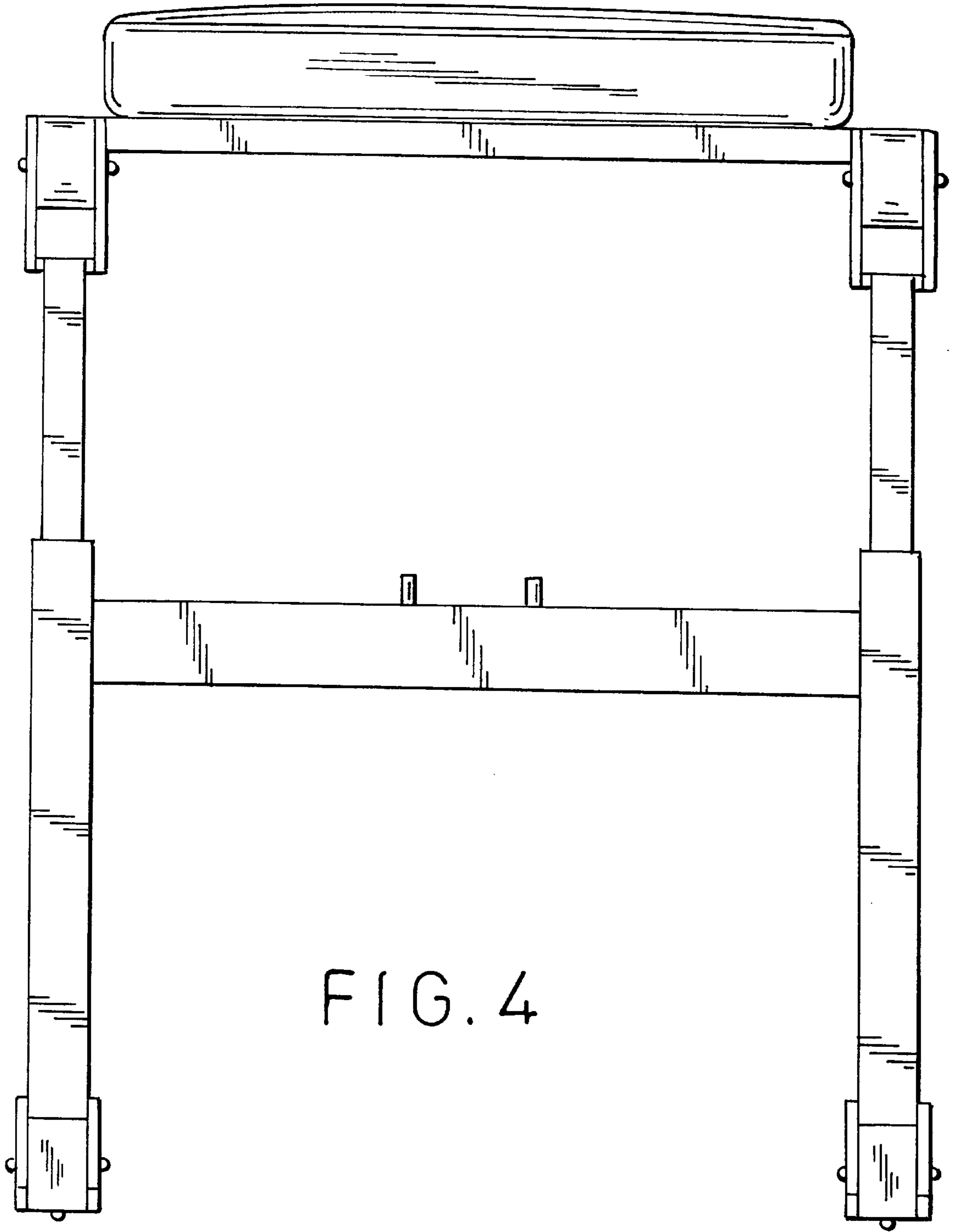


FIG. 4

FIG. 5

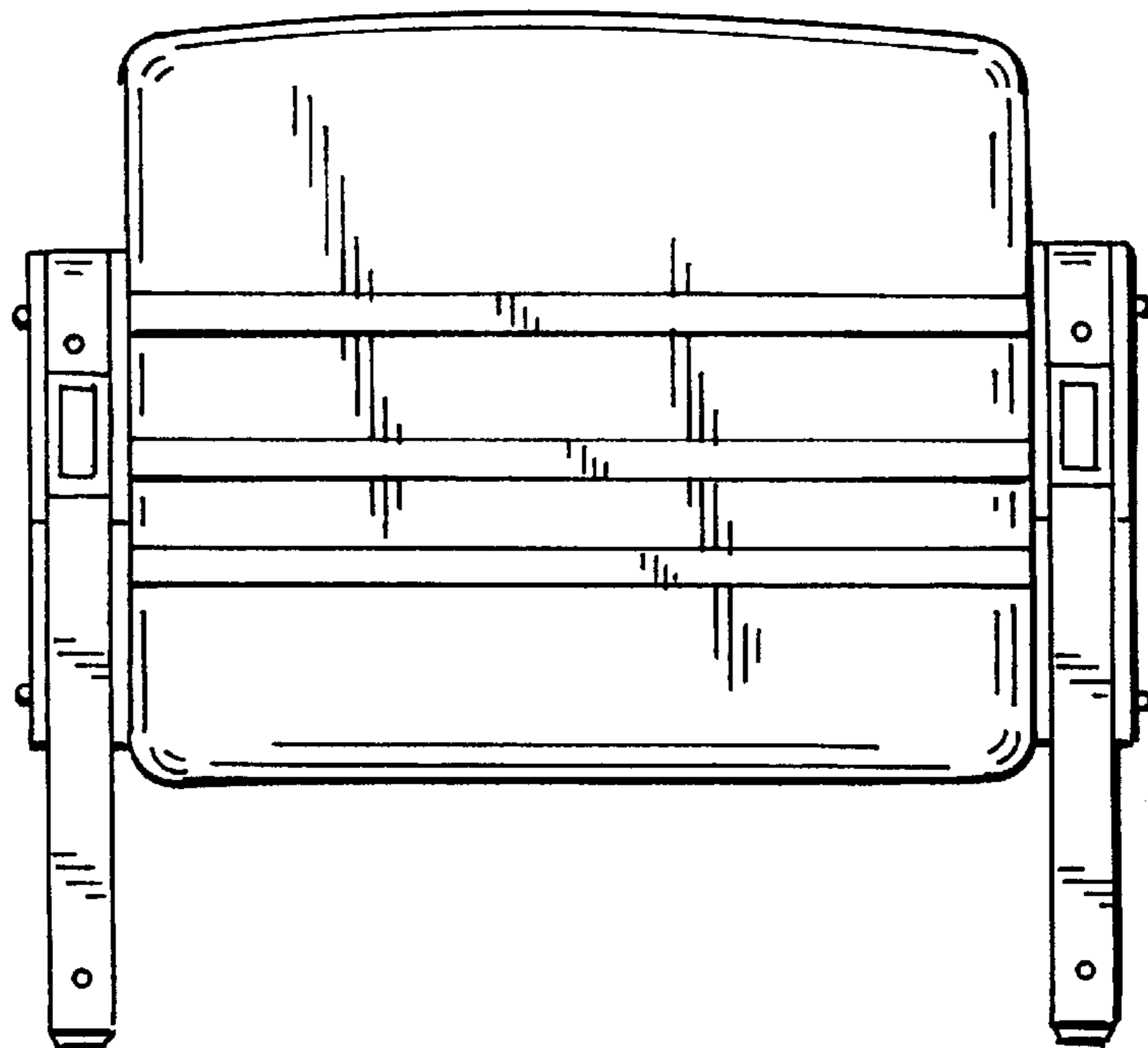
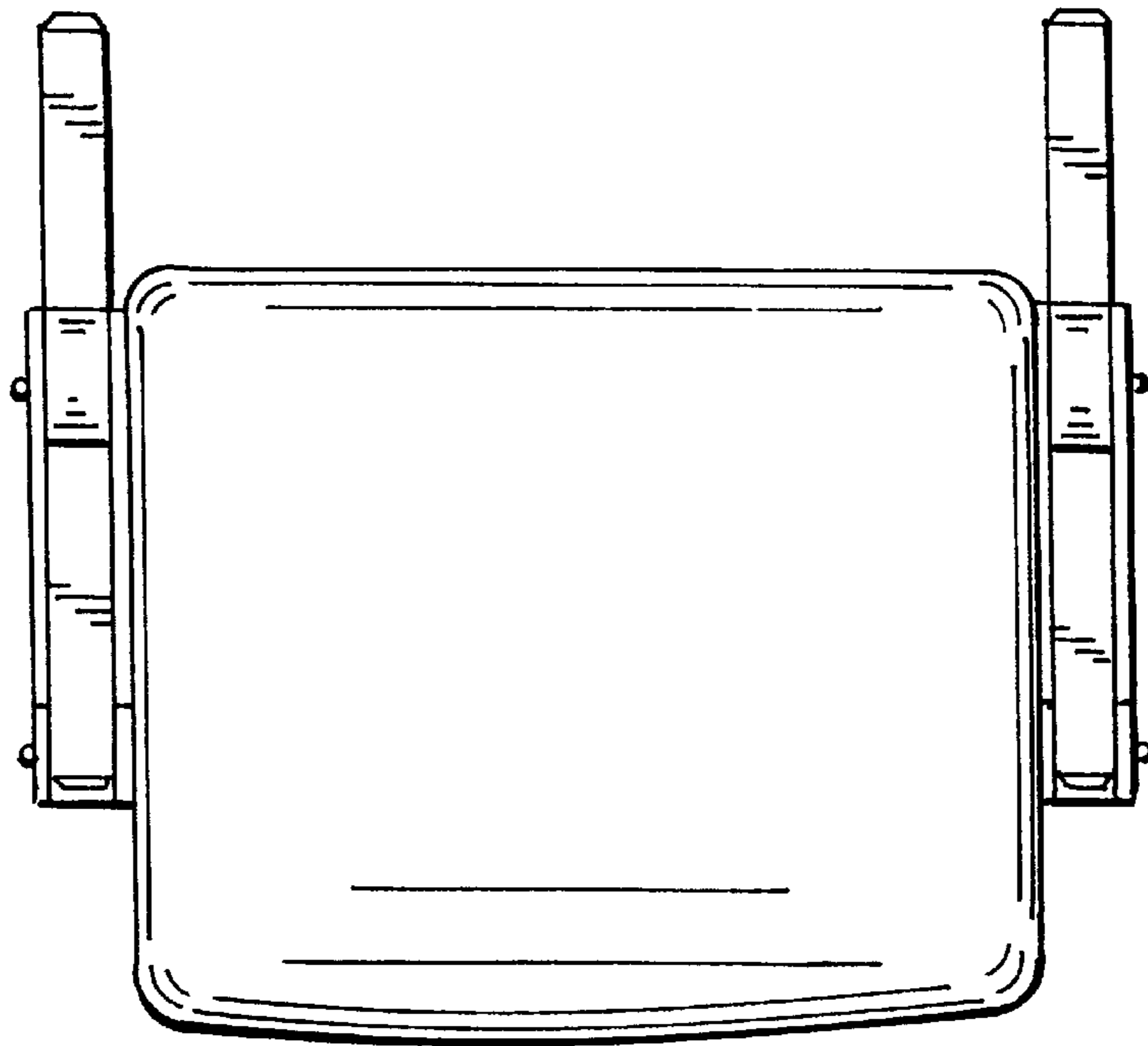


FIG. 6

FIG. 7

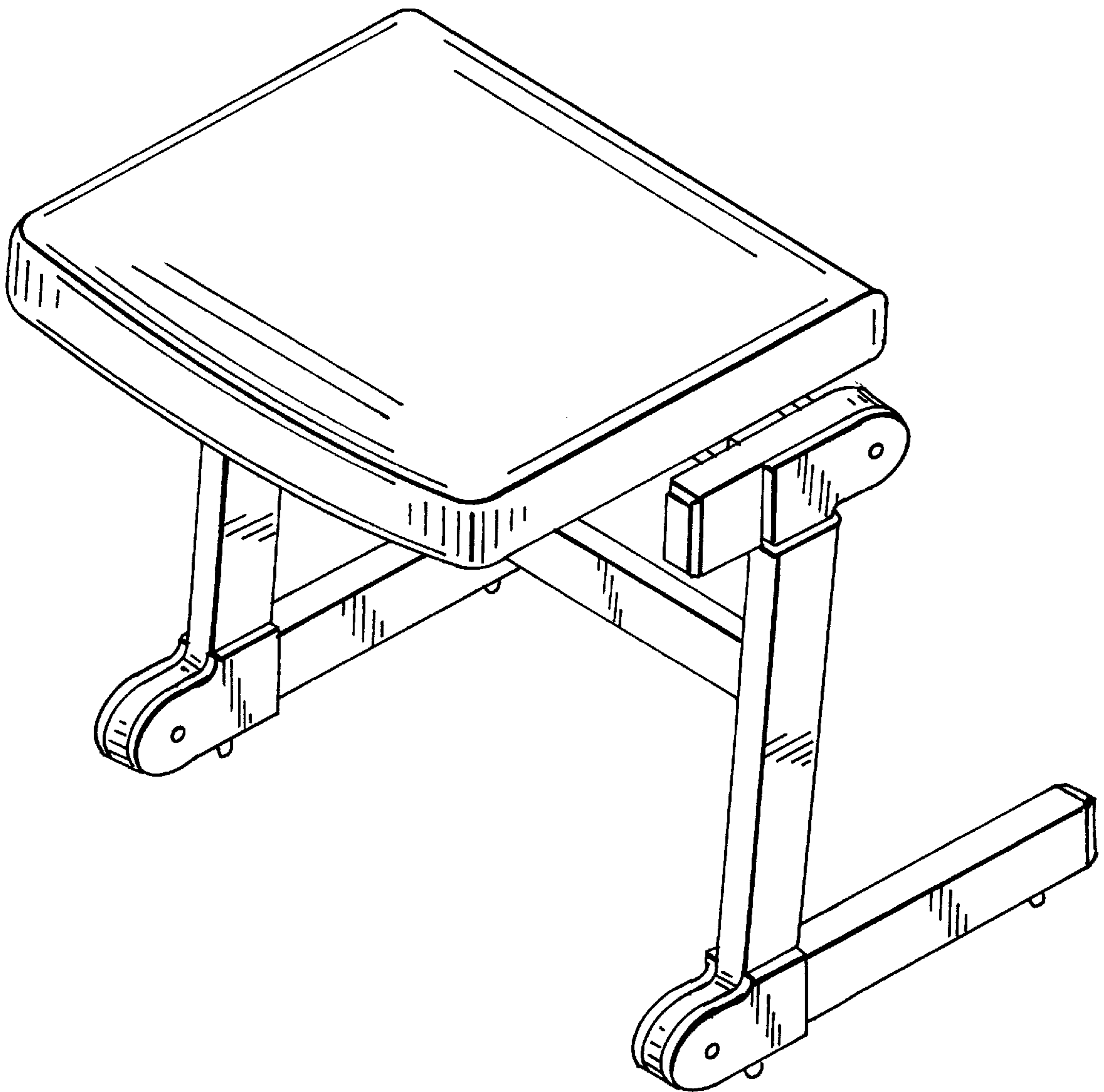


FIG. 8

