



US00D466704S

(12) **United States Design Patent**  
**Hawkins**

(10) **Patent No.:** **US D466,704 S**

(45) **Date of Patent:** **\*\* Dec. 10, 2002**

(54) **GARMENT HANGER**

D454,257 S \* 3/2002 Hunt ..... D6/326

(75) Inventor: **Michael Anthony Hawkins,**  
Handbridge (GB)

\* cited by examiner

(73) Assignee: **Mainetti (UK) Limited,** Jedburgh (GB)

*Primary Examiner*—B. J. Bullock

(74) *Attorney, Agent, or Firm*—Jack Schwartz

(\*\*) Term: **14 Years**

(57) **CLAIM**

(21) Appl. No.: **29/150,346**

The ornamental design for a garment hanger, as shown and described.

(22) Filed: **Nov. 21, 2001**

**DESCRIPTION**

(30) **Foreign Application Priority Data**

May 22, 2001 (GB) ..... 2101954

(51) **LOC (7) Cl.** ..... **06-08**

(52) **U.S. Cl.** ..... **D6/328; D6/326**

(58) **Field of Search** ..... D6/315–309, 326–328,  
D6/573; 211/113, 118, 119; 24/500, 507,  
509–511; 223/85–96, 98, DIG. 1, DIG. 2

FIG. 1 is a front side view of the garment hanger of the present invention;

FIG. 2 is a top side view of the garment hanger of the present invention;

FIG. 3 is a left side view of the garment hanger of the present invention;

FIG. 4 is a right side view of the garment hanger of the present invention;

FIG. 5 is a bottom view of the garment hanger of the present invention; and,

FIG. 6 is a back view of the garment hanger of the present invention.

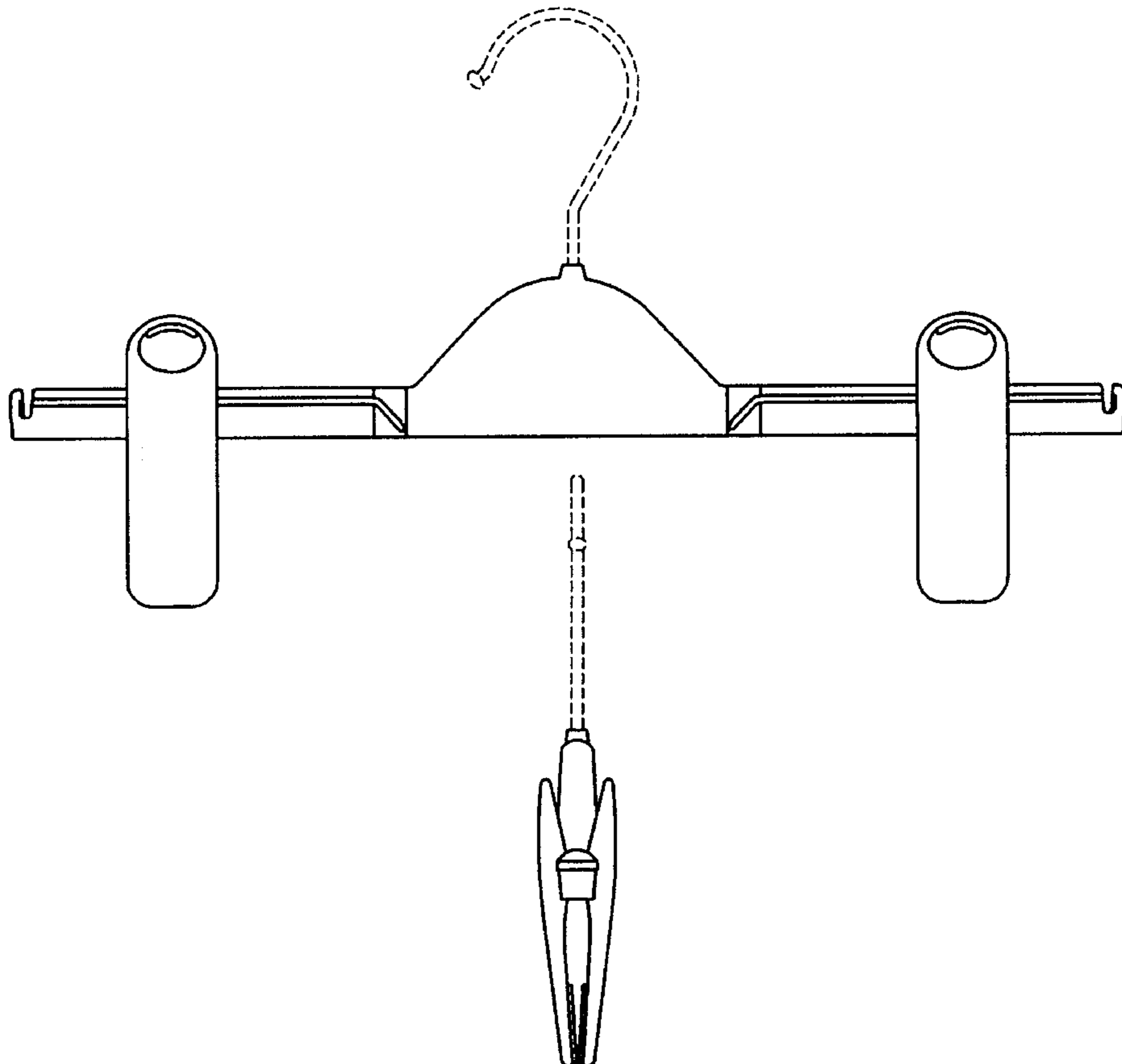
The broken lines are for illustrative purposes only and form no part of the claimed design.

(56) **References Cited**

**U.S. PATENT DOCUMENTS**

- 4,826,056 A \* 5/1989 Duester et al. .... 223/96
- D301,661 S \* 6/1989 Wilson ..... D6/326
- D301,808 S \* 6/1989 Marshall ..... D6/326
- 5,934,525 A \* 8/1999 Blanchard ..... 223/85

**1 Claim, 2 Drawing Sheets**



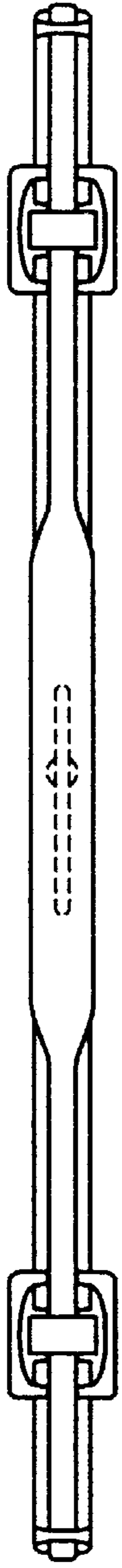


FIGURE 2

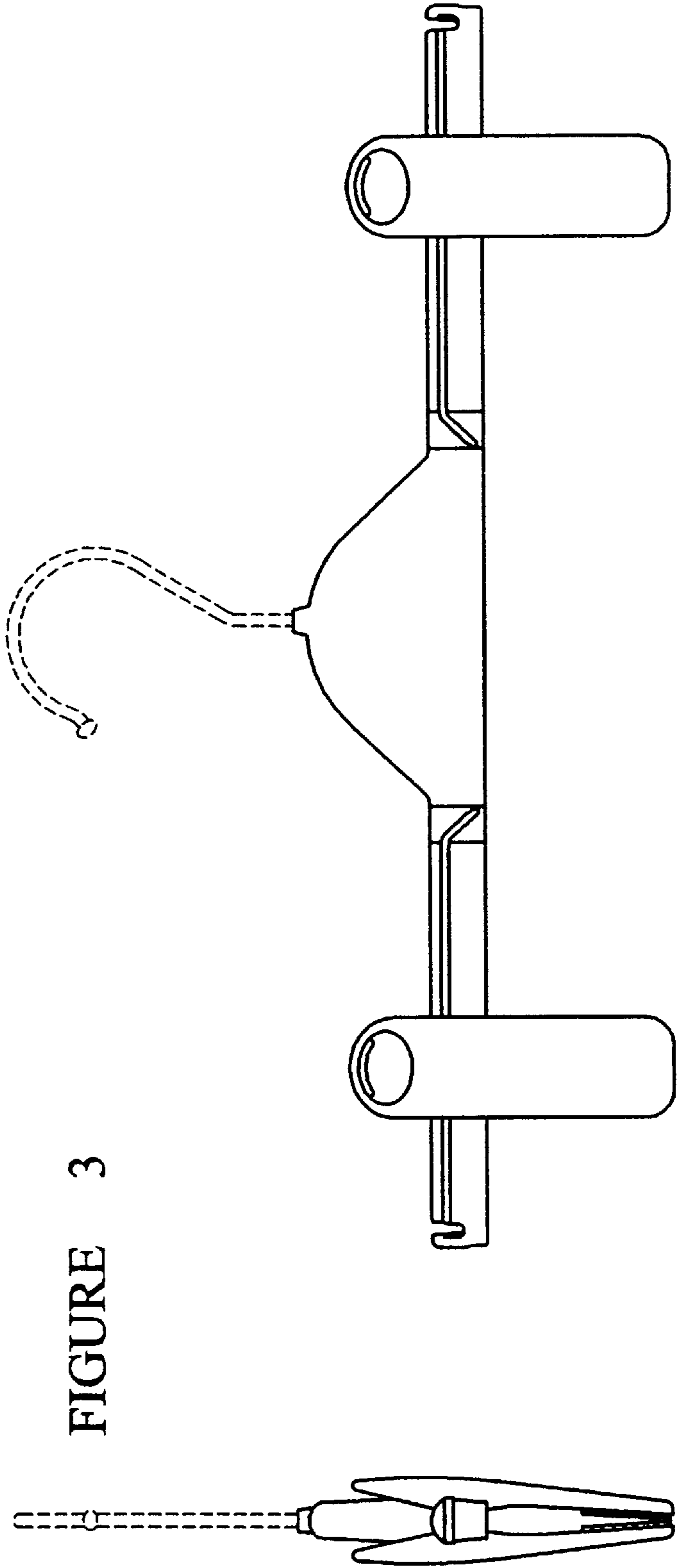


FIGURE 1

FIGURE 3

