



US00D466696S

(12) **United States Design Patent**
Van Dyk

(10) **Patent No.: US D466,696 S**

(45) **Date of Patent: ** *Dec. 10, 2002**

(54) **HAIR BRUSH WITH RETRACTABLE HANDLE**

(76) **Inventor: Thomas C. Van Dyk**, 369 Wyckoff Ave., Ramsey, NJ (US) 07446

(*) **Notice:** This patent is subject to a terminal disclaimer.

(**) **Term:** **14 Years**

(21) **Appl. No.:** **29/139,998**

(22) **Filed:** **Apr. 10, 2001**

(51) **LOC (7) Cl.** **04-02**

(52) **U.S. Cl.** **D4/121; D4/133; D4/136**

(58) **Field of Search** D4/121, 127, 128, D4/132-134, 136, 138; D28/28, 29, 35; 15/143.1, 144.1, 144.4, 159.1, 160, 186-188, 207.2; 16/110.1, 429, 430; 132/120, 121, 271, 313

(56) **References Cited**

U.S. PATENT DOCUMENTS

1,951,023	A	3/1934	Josselyn	
2,173,437	A	9/1939	Kataja	
2,184,827	A	12/1939	Willmot	
2,641,012	A	6/1953	Storrs	
3,690,331	A	9/1972	Messer	
3,942,540	A	3/1976	Gause	
4,121,314	A	10/1978	Nathe	
D270,381	S	* 8/1983	Muller et al. D4/128 X
4,639,965	A	2/1987	Suzuki	
4,987,633	A	1/1991	Heneveld	

D319,923	S	* 9/1991	Chou D4/121
5,479,951	A	* 1/1996	Denebeim 132/120 X
D385,657	S	10/1997	Ostlund	
5,810,027	A	9/1998	Frantzeskakis	

* cited by examiner

Primary Examiner—Alan P. Douglas
Assistant Examiner—Lavone Tabor
(74) *Attorney, Agent, or Firm*—Arthur Jacob

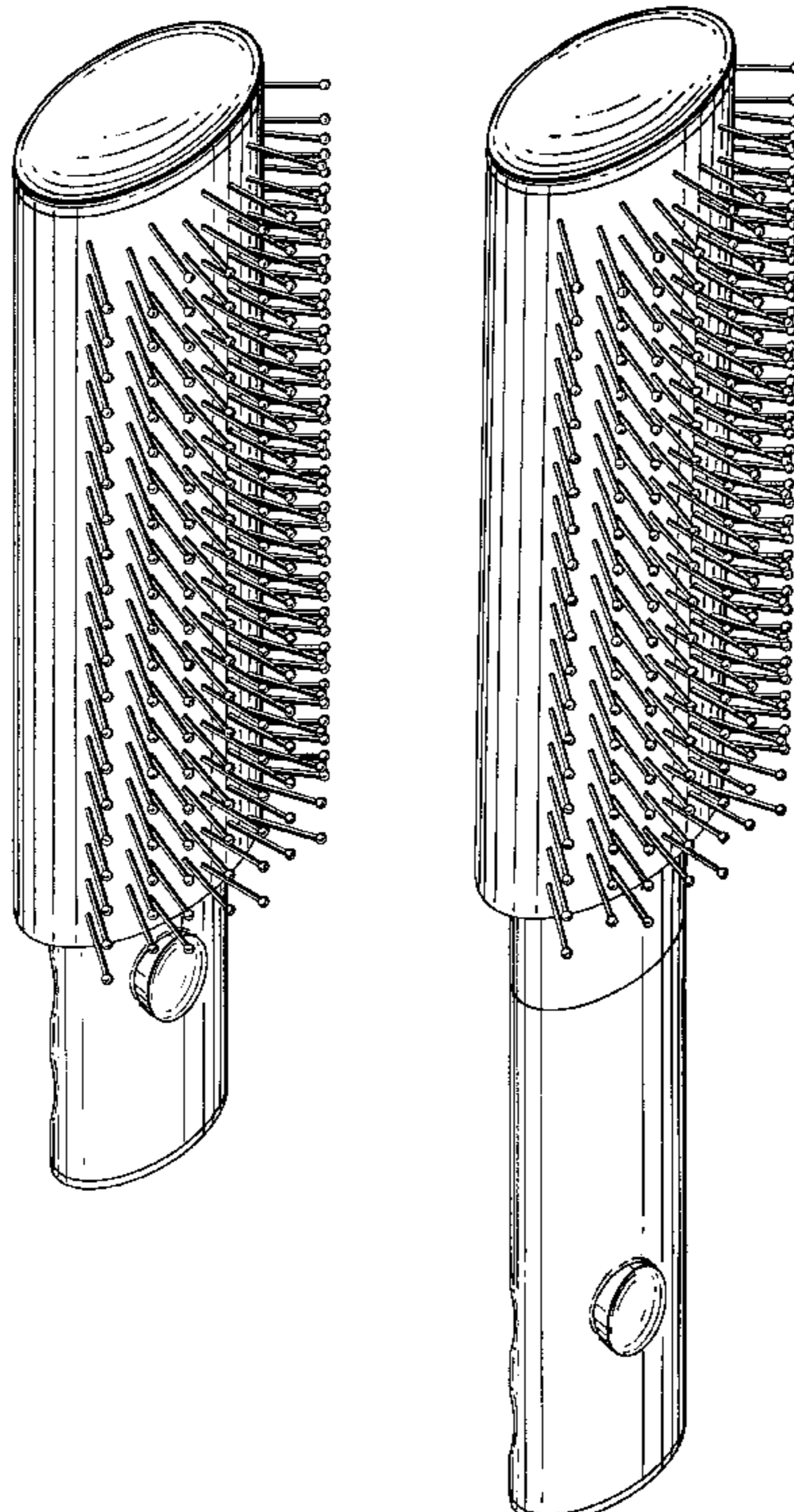
(57) **CLAIM**

The ornamental design for a hair brush with retractable handle, as shown and described.

DESCRIPTION

FIG. 1 is a top, front and left side perspective view showing my new design, with the handle retracted; FIG. 2 is a top plan view thereof; FIG. 3 is a front elevational view thereof; FIG. 4 is a right side elevational view thereof, the left side elevational view being a mirror image thereof; FIG. 5 is a rear elevational view thereof; FIG. 6 is a bottom plan view thereof; FIG. 7 is a top, front and left side perspective view showing my new design, with the handle extended; FIG. 8 is a front elevational view thereof; FIG. 9 is a right side elevational view thereof, the left side elevational view being a mirror image thereof; and, FIG. 10 is a rear elevational view thereof. FIG. 2 shows the top plan view of my new design, and FIG. 6 shows the bottom plan view of my new design, with the handle either retracted or extended.

1 Claim, 6 Drawing Sheets



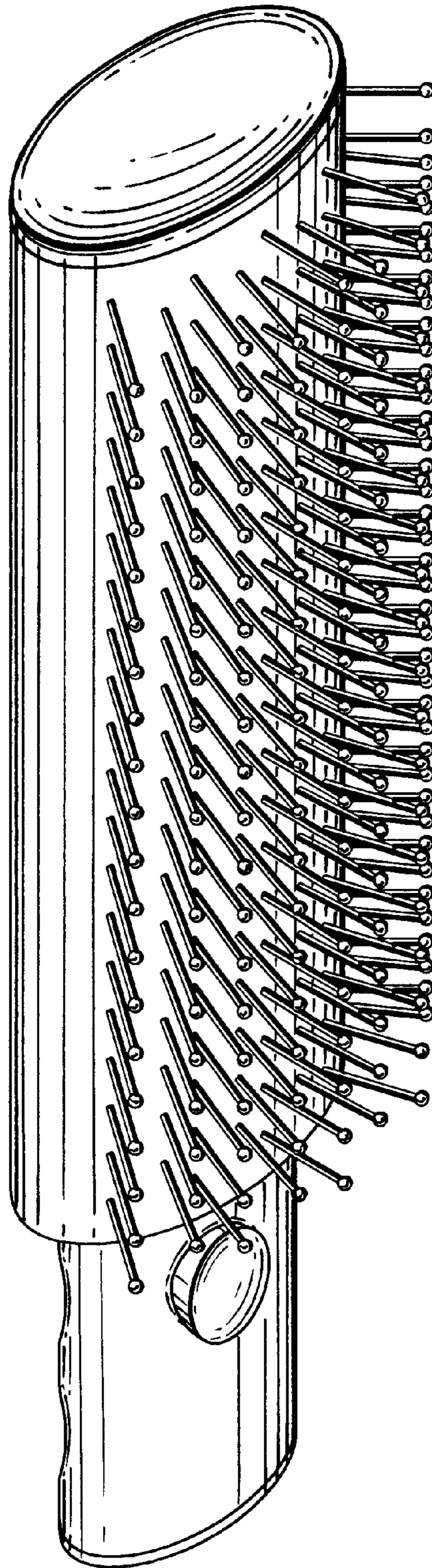


FIG. 1

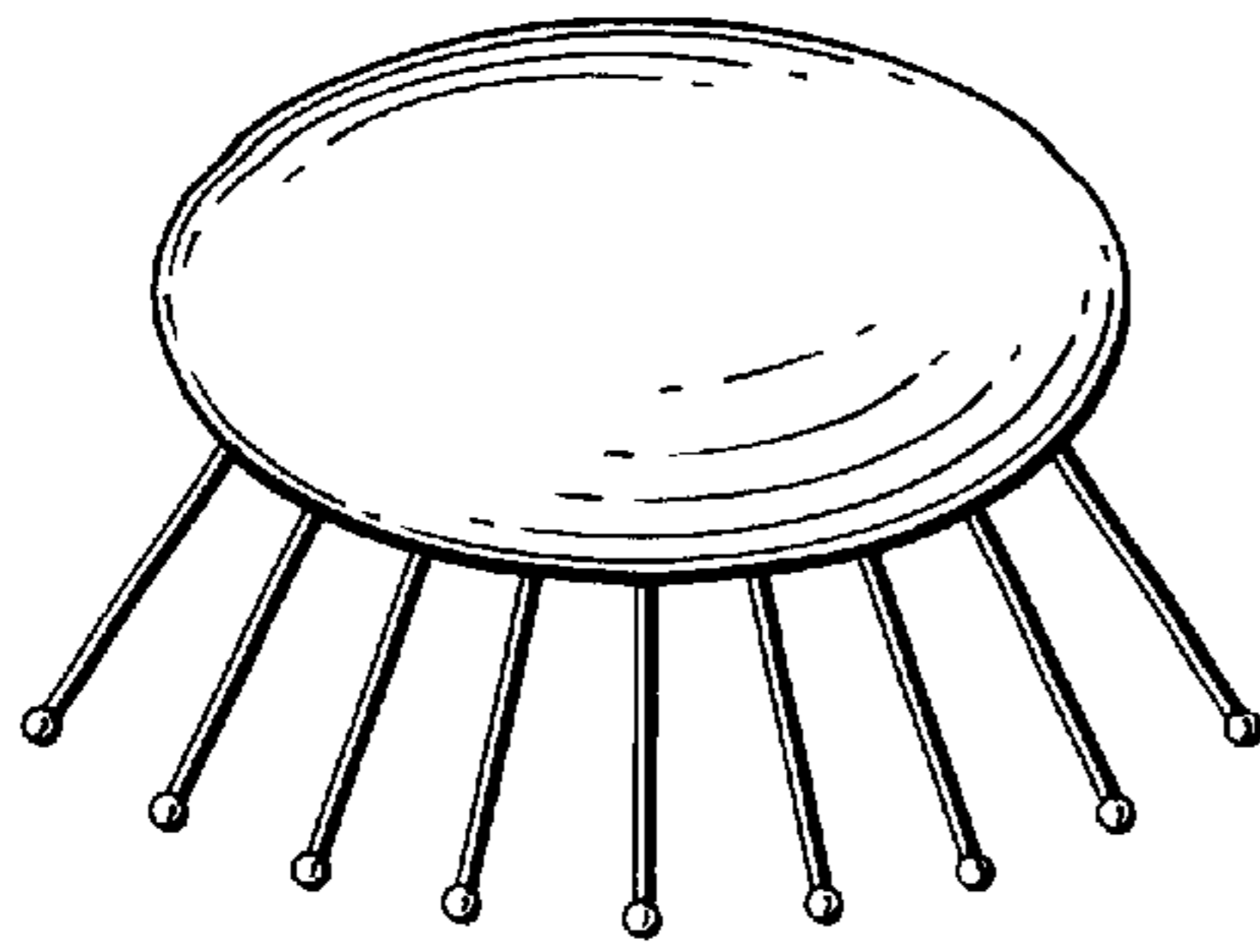


FIG. 2

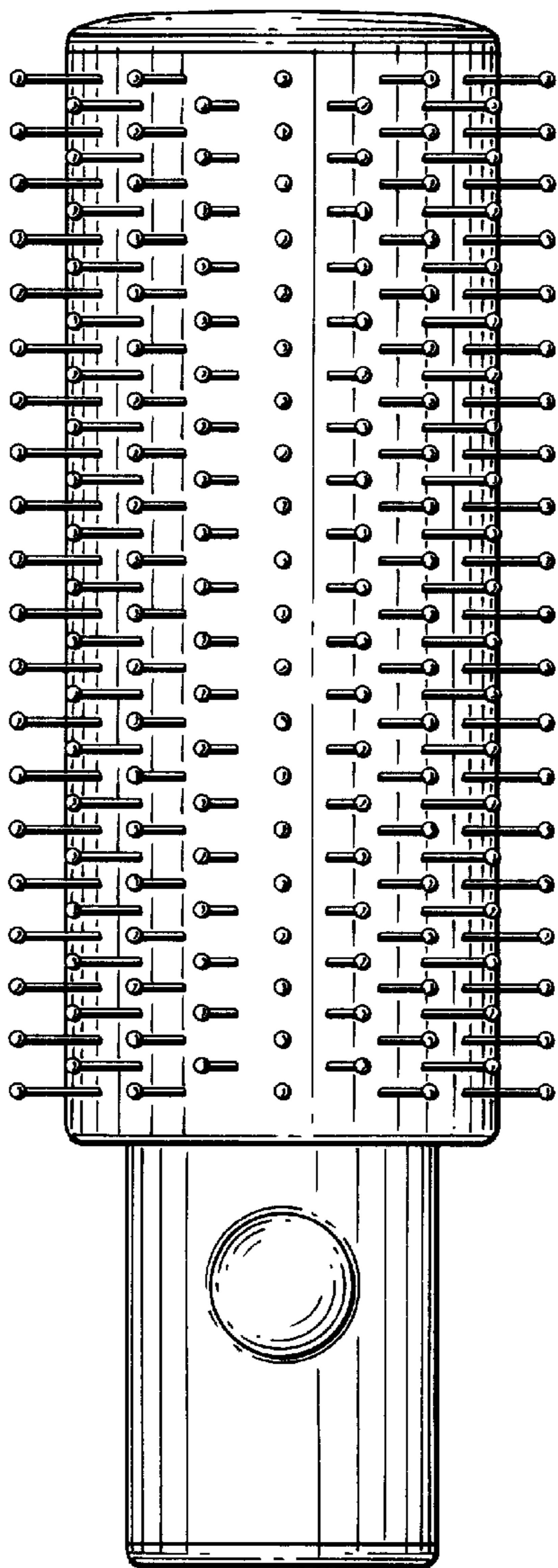


FIG. 3

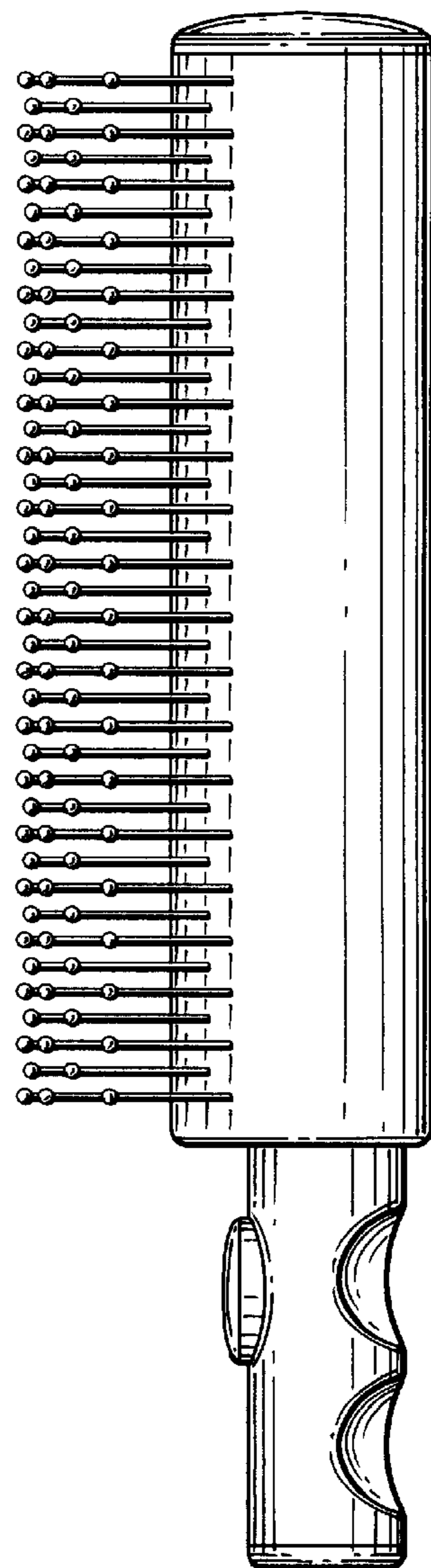


FIG. 4

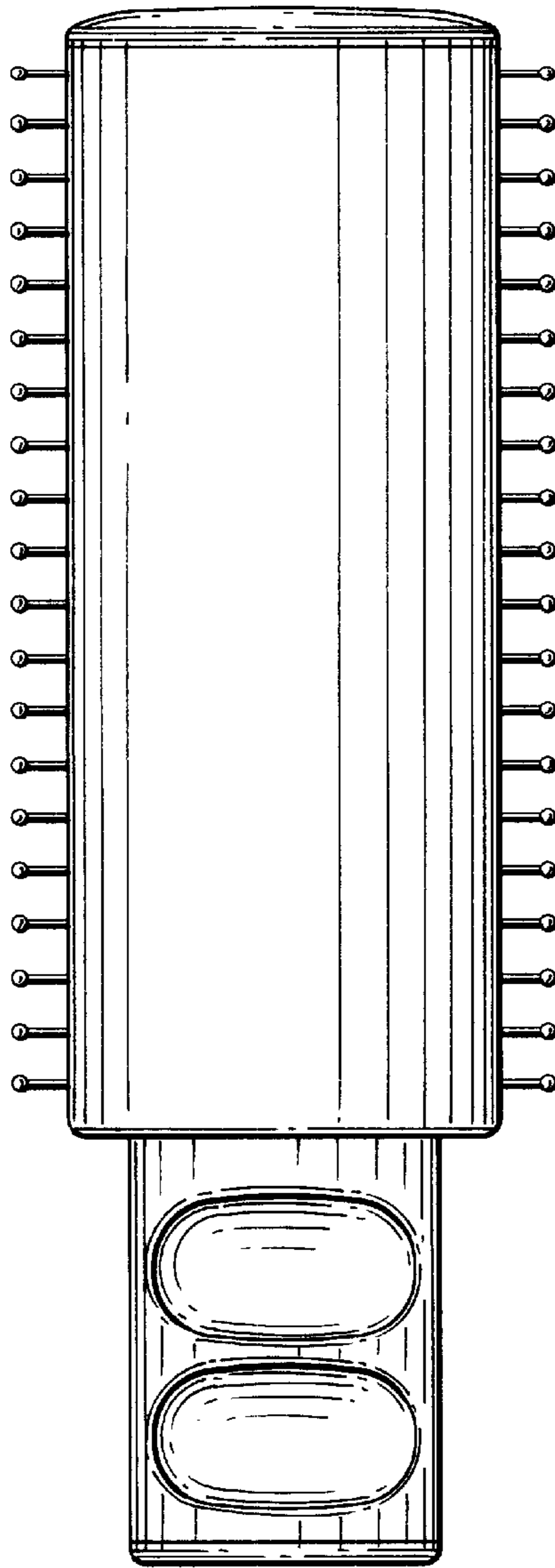


FIG. 5

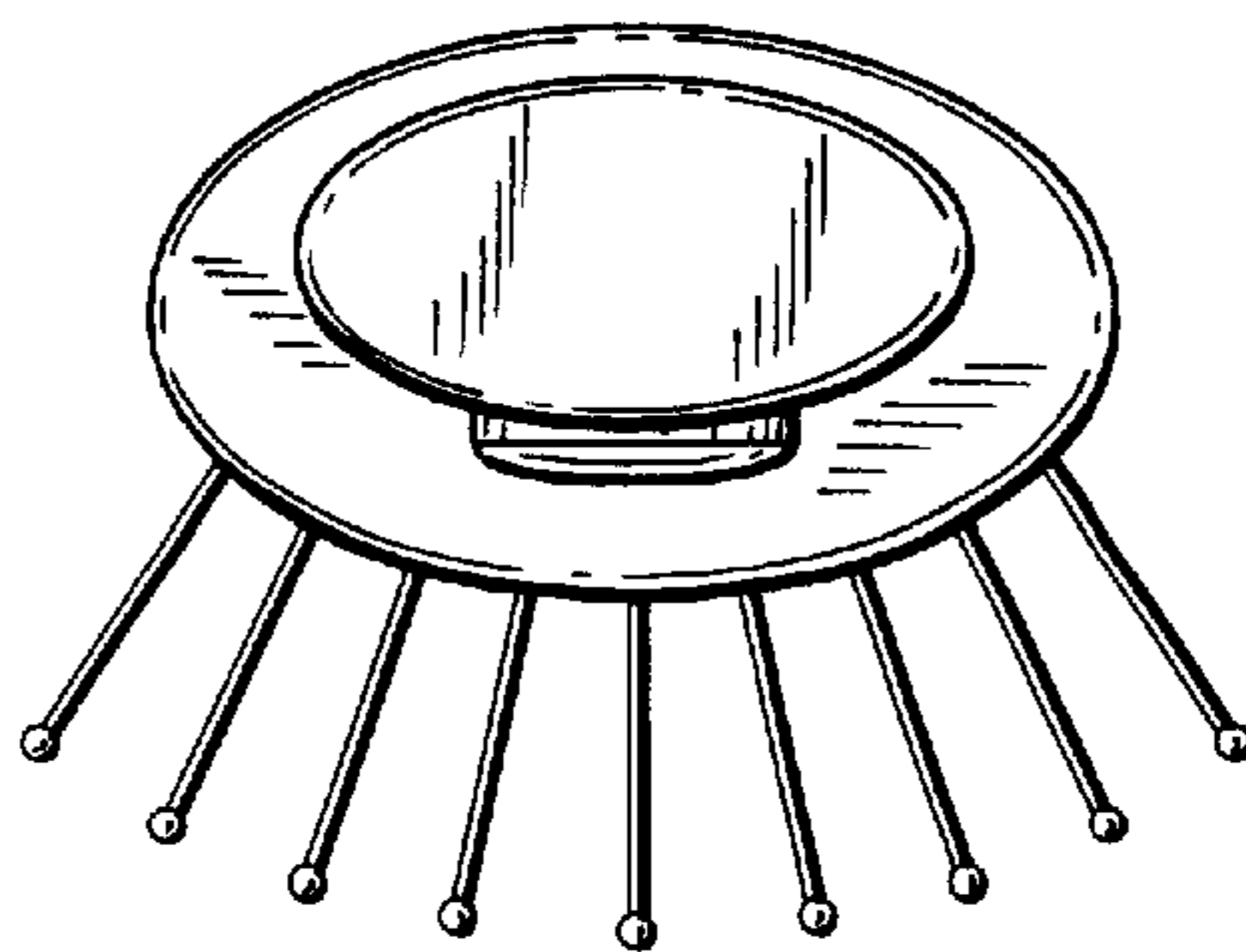
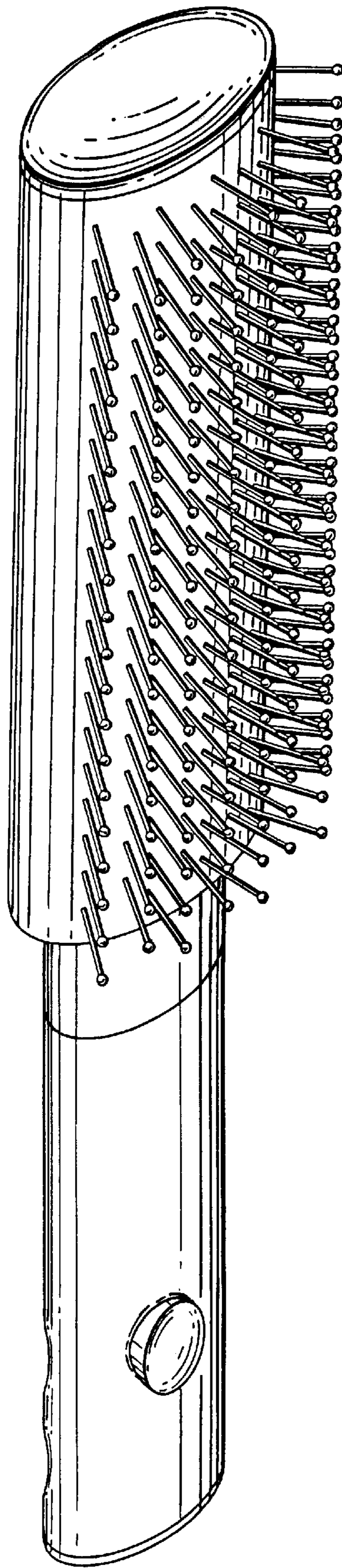


FIG. 6

FIG. 7



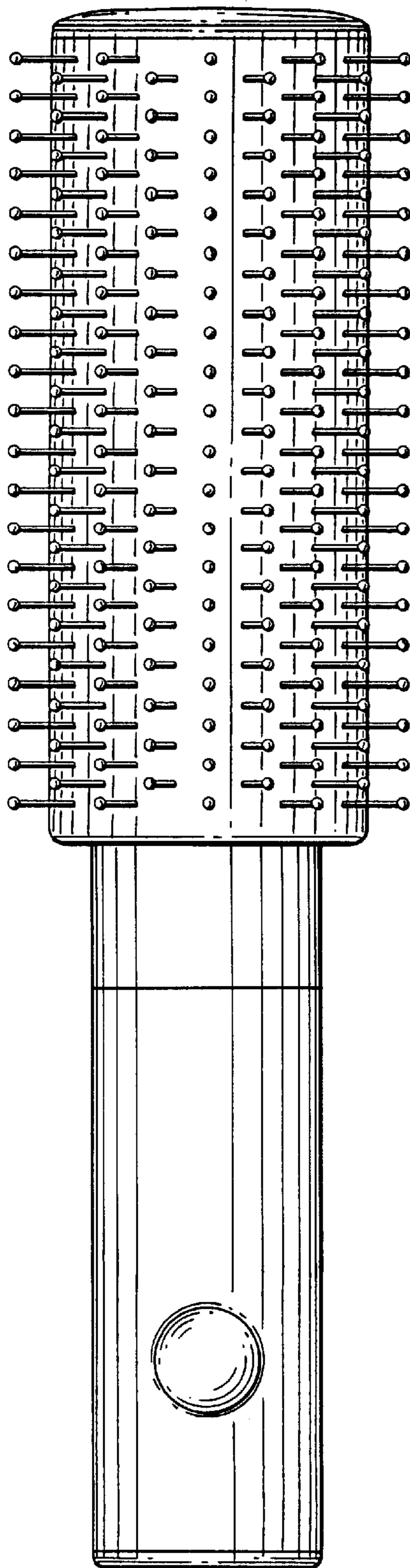


FIG. 8

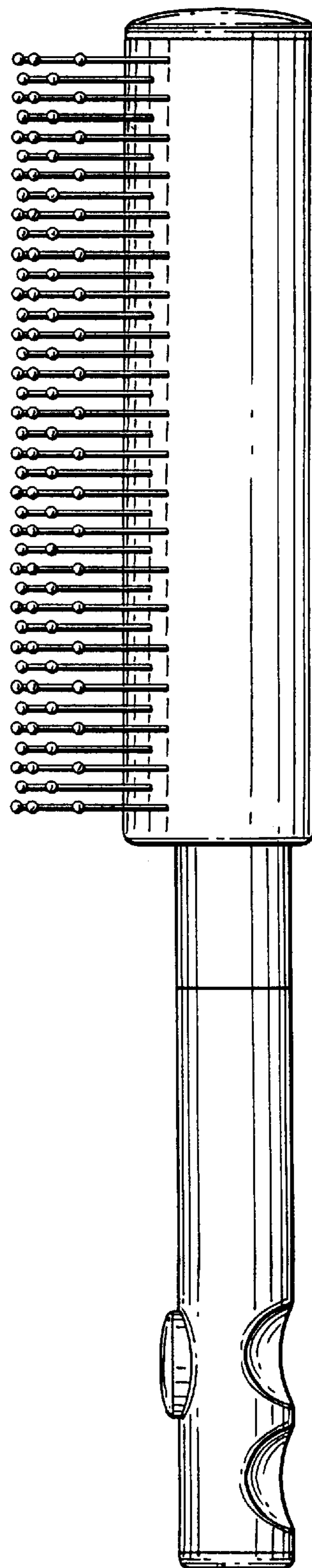


FIG. 9

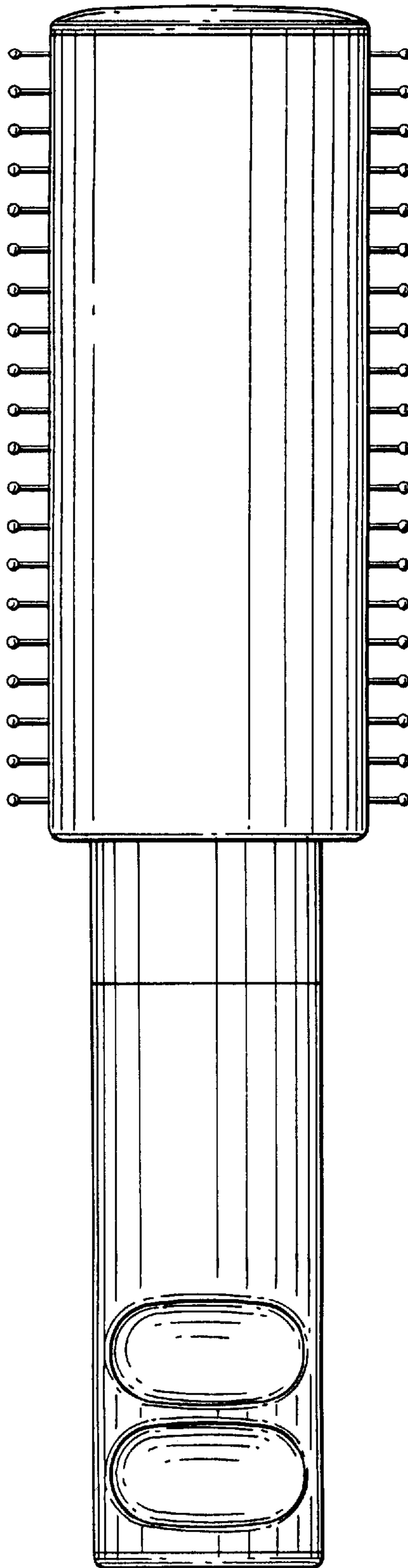


FIG. 10