



US00D466692S

(12) **United States Design Patent**
Hargrave-Thomas

(10) **Patent No.:** **US D466,692 S**

(45) **Date of Patent:** **** Dec. 10, 2002**

(54) **SAW BLADE PACKAGE AND CARRY CASE**

D441,955 S 5/2001 Svetlik D3/282

(75) Inventor: **Gayle Hargrave-Thomas**, Mundelein, IL (US)

* cited by examiner

(73) Assignee: **American Tool Companies, Inc.**, Vernon Hills, IL (US)

Primary Examiner—Philip S. Hyder

(74) *Attorney, Agent, or Firm*—Brinks Hofer Gilson & Lione

(**) Term: **14 Years**

(57) **CLAIM**

(21) Appl. No.: **29/154,805**

The ornamental design for a saw blade package and carry case, as shown and described.

(22) Filed: **Jan. 28, 2002**

DESCRIPTION

Related U.S. Application Data

(63) Continuation of application No. 09/924,667, filed on Aug. 7, 2001.

FIG. 1 is a front perspective view of the saw blade package and carry case;

(51) **LOC (7) Cl.** **03-01**

FIG. 2 is a front plan view of the saw blade package and carry case of FIG. 1;

(52) **U.S. Cl.** **D3/315; D3/905**

FIG. 3 is a rear perspective view of the saw blade package and carry case of FIG. 1;

(58) **Field of Search** D3/272, 273, 315, D3/905; D9/415; 206/349, 372, 373, 303; 220/481

FIG. 4 is a rear plan view of the saw blade package and carry case of FIG. 1;

FIG. 5 is a side view of the saw blade package and carry case of FIG. 1, both sides being identical;

(56) **References Cited**

U.S. PATENT DOCUMENTS

D255,730 S	*	7/1980	McLean	D3/315
4,611,713 A		9/1986	Byrns	206/349
4,784,263 A		11/1988	Stanley	206/349
4,896,771 A		1/1990	Edwards	206/349
D310,912 S	*	10/1990	Dennis	D3/315
D314,471 S	*	2/1991	Lueth	D3/315
D320,697 S		10/1991	Eggan	D3/315
5,078,266 A		1/1992	Rackley	206/349
D332,867 S	*	2/1993	Blake, Jr.	D3/315
D338,337 S	*	8/1993	Roe, Jr.	D3/315
5,797,488 A		8/1998	Yemini	206/349
D397,934 S		9/1998	Giulianelli	D9/415
D414,334 S		9/1999	Remington et al.	D3/276
6,161,689 A		12/2000	Reithel	206/303
6,164,447 A		12/2000	Svetlik	206/373

FIG. 6 is a top view of the saw blade package and carry case of FIG. 1;

FIG. 7 is a bottom view of the saw blade package and carry case of FIG. 1;

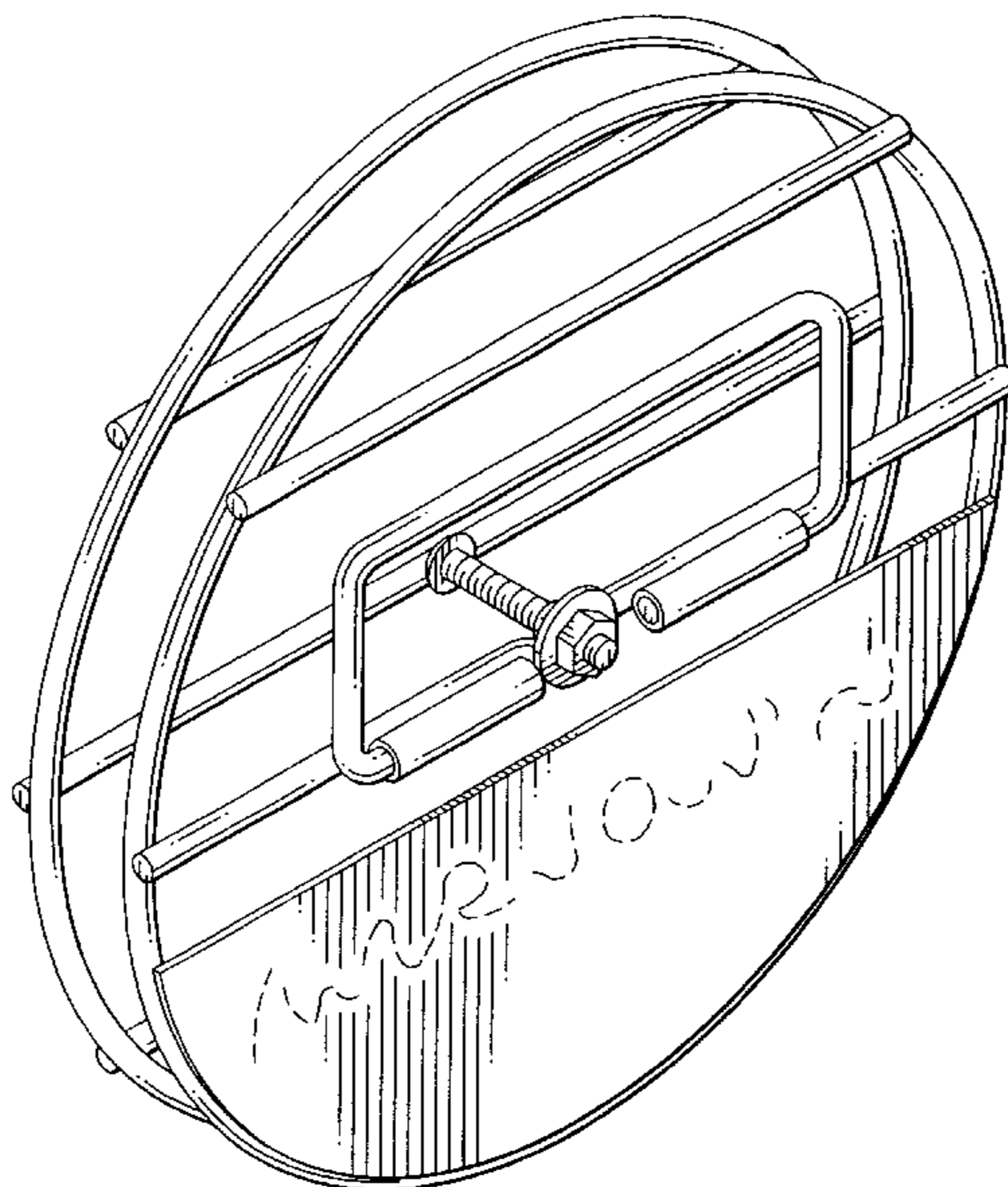
FIG. 8 is a front perspective view of the saw blade package and carry case of FIG. 1 holding a quantity of saw blades;

FIG. 9 is a front perspective view of the saw blade package and carry case of FIG. 1 holding a quantity of saw blades different than the quantity in FIG. 8; and,

FIG. 10 is a front perspective view of an alternate embodiment of the saw blade carry case showing a covering around the perimeter of the carry case.

The broken line showings of the saw blade and the indicia are for illustrative purposes only and form no part of the claimed design.

1 Claim, 9 Drawing Sheets



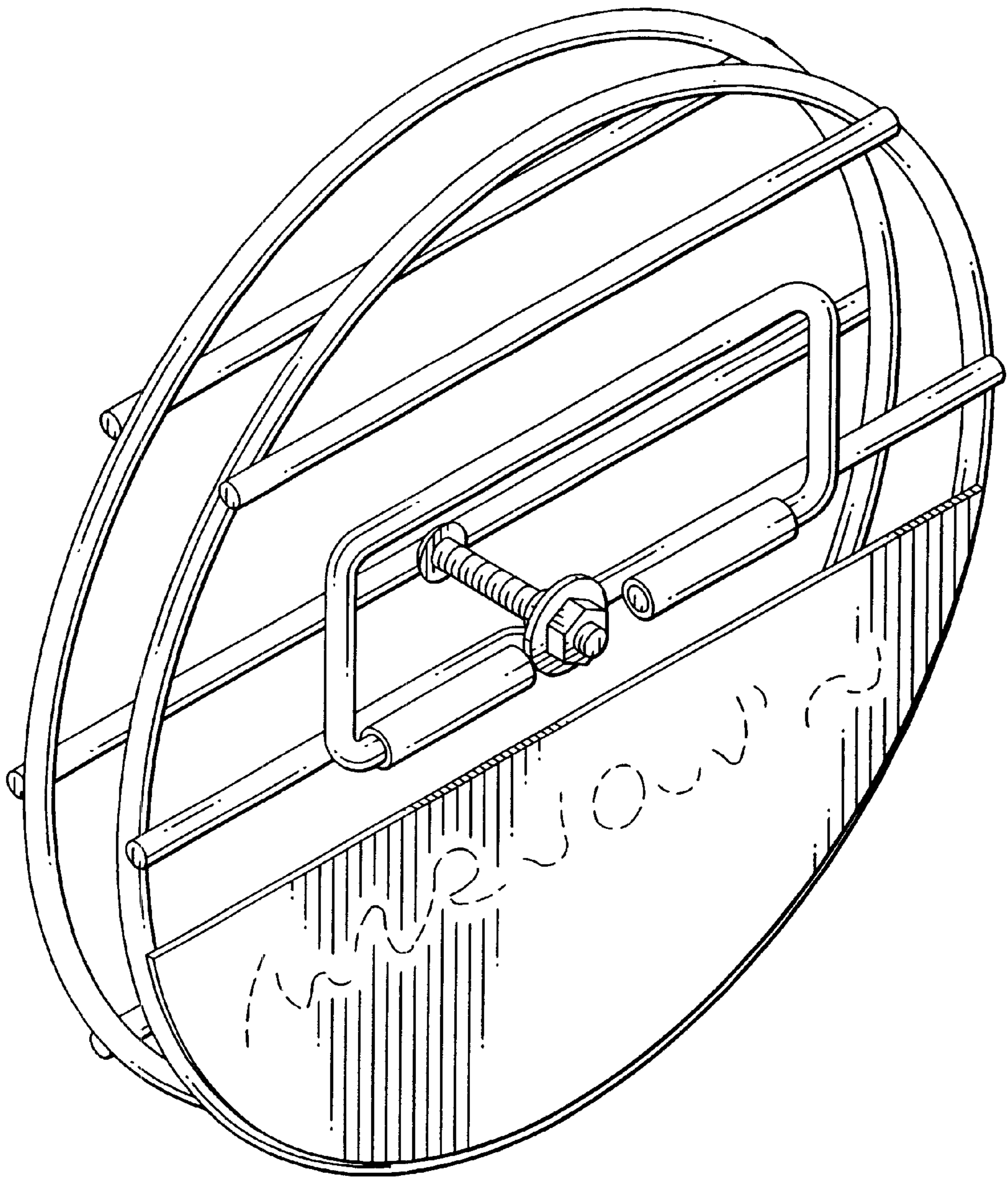


FIG. 1

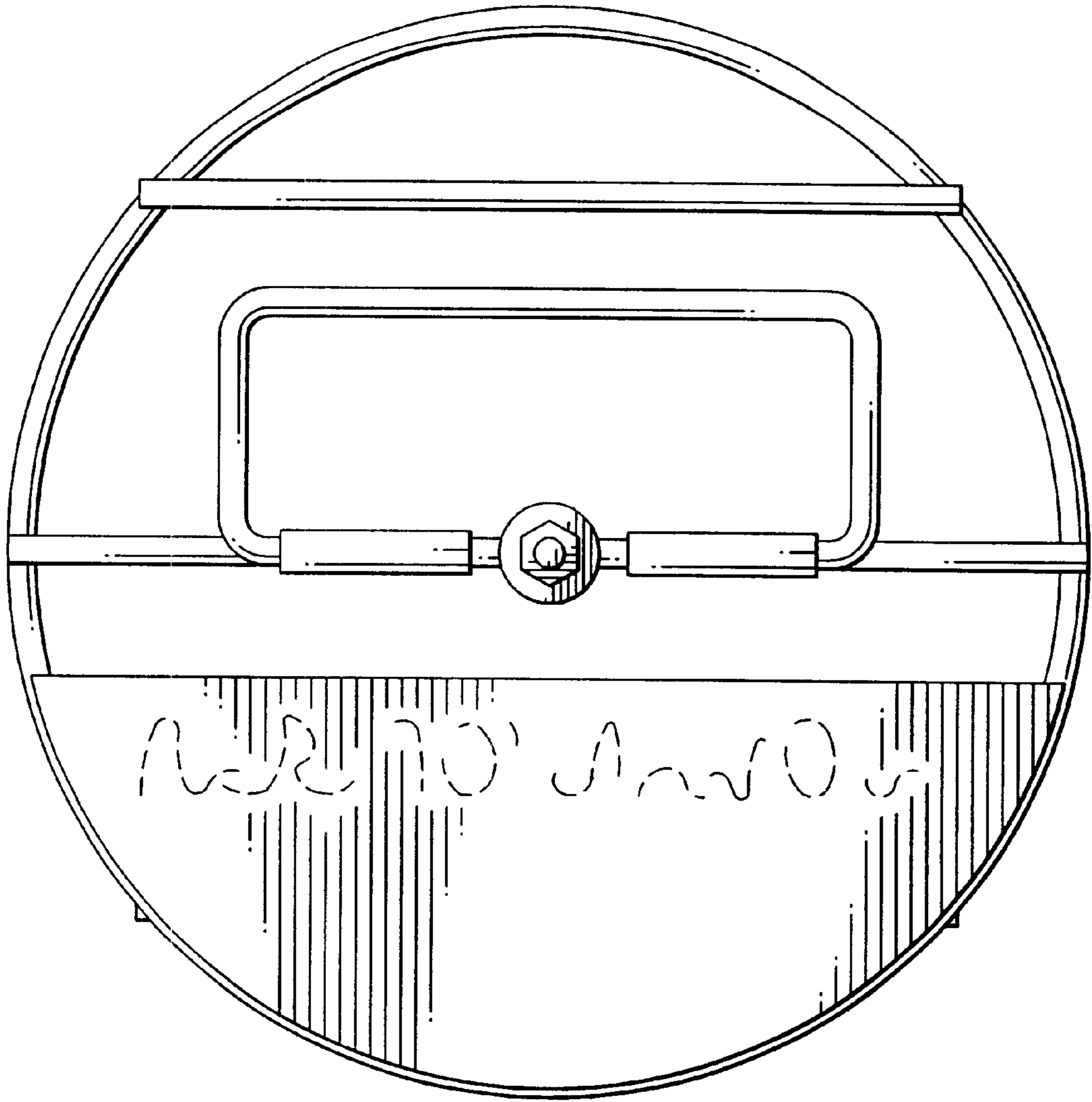


FIG. 2

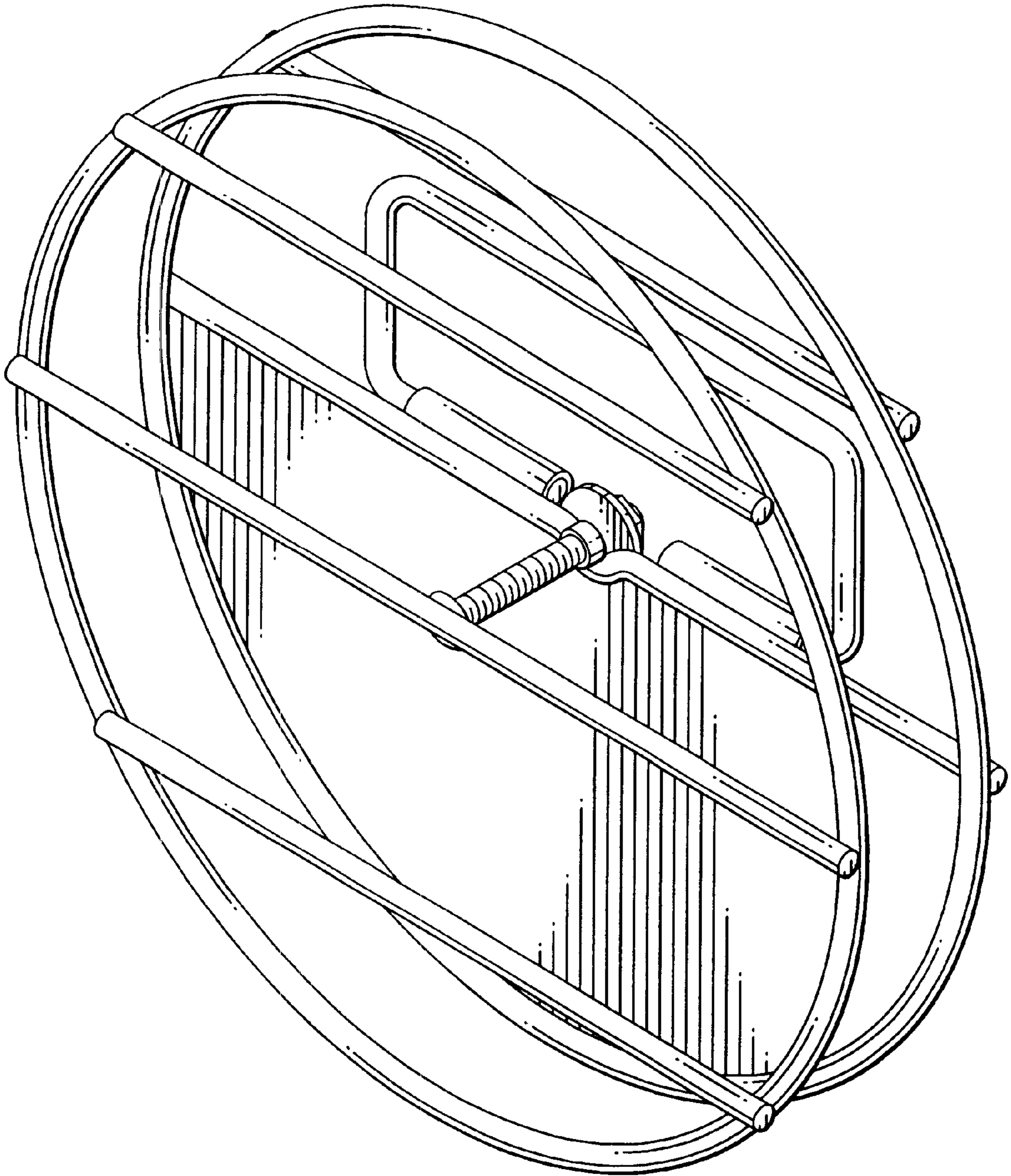


FIG. 3

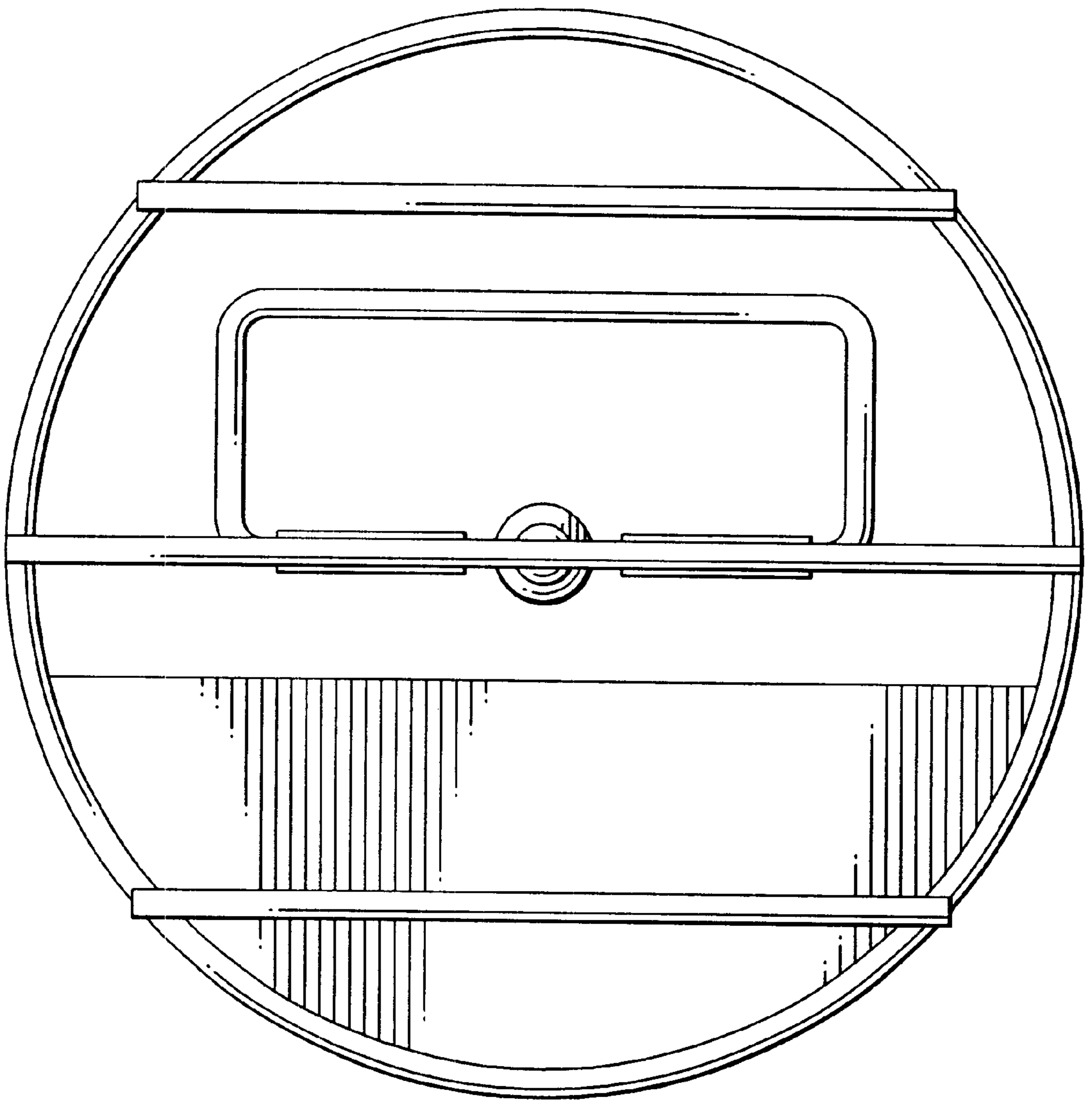


FIG. 4

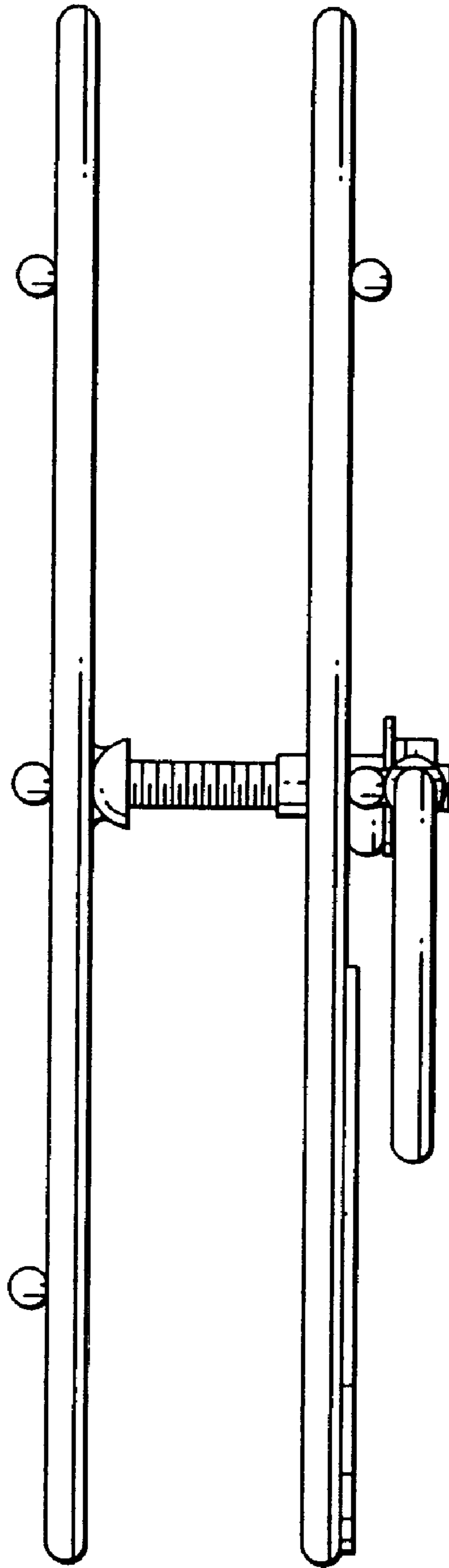


FIG. 5

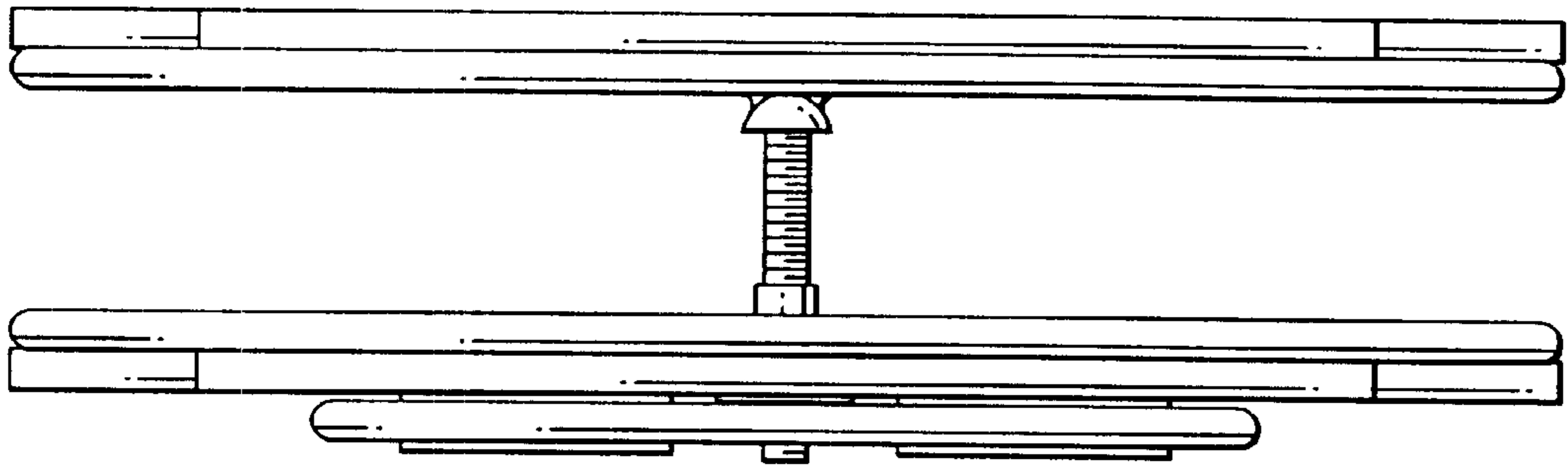


FIG. 6

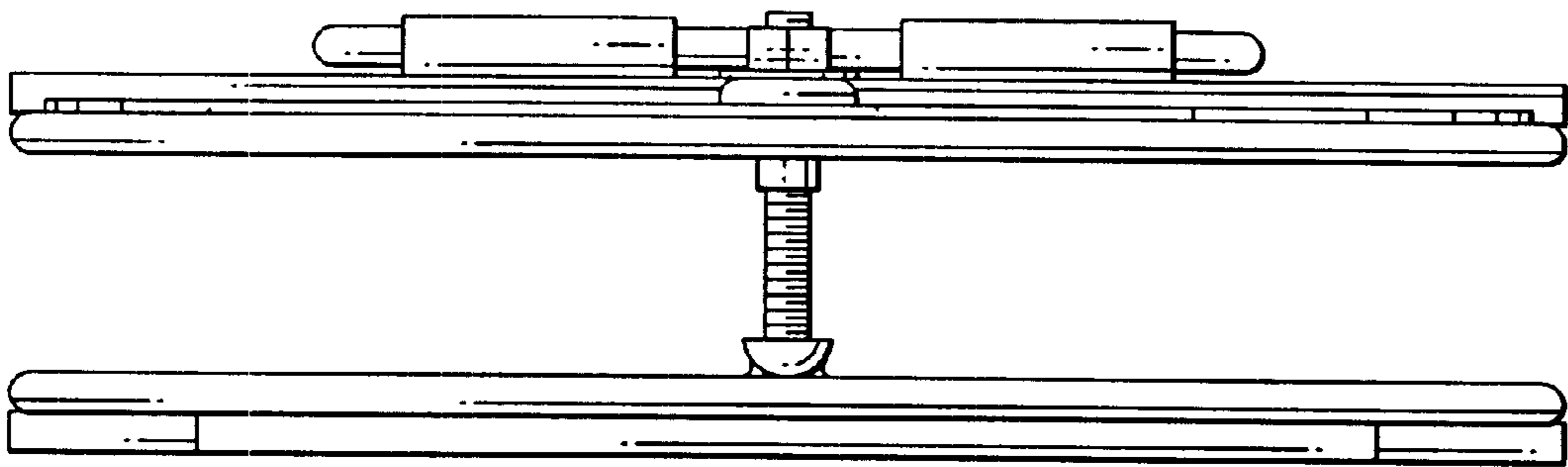


FIG. 7

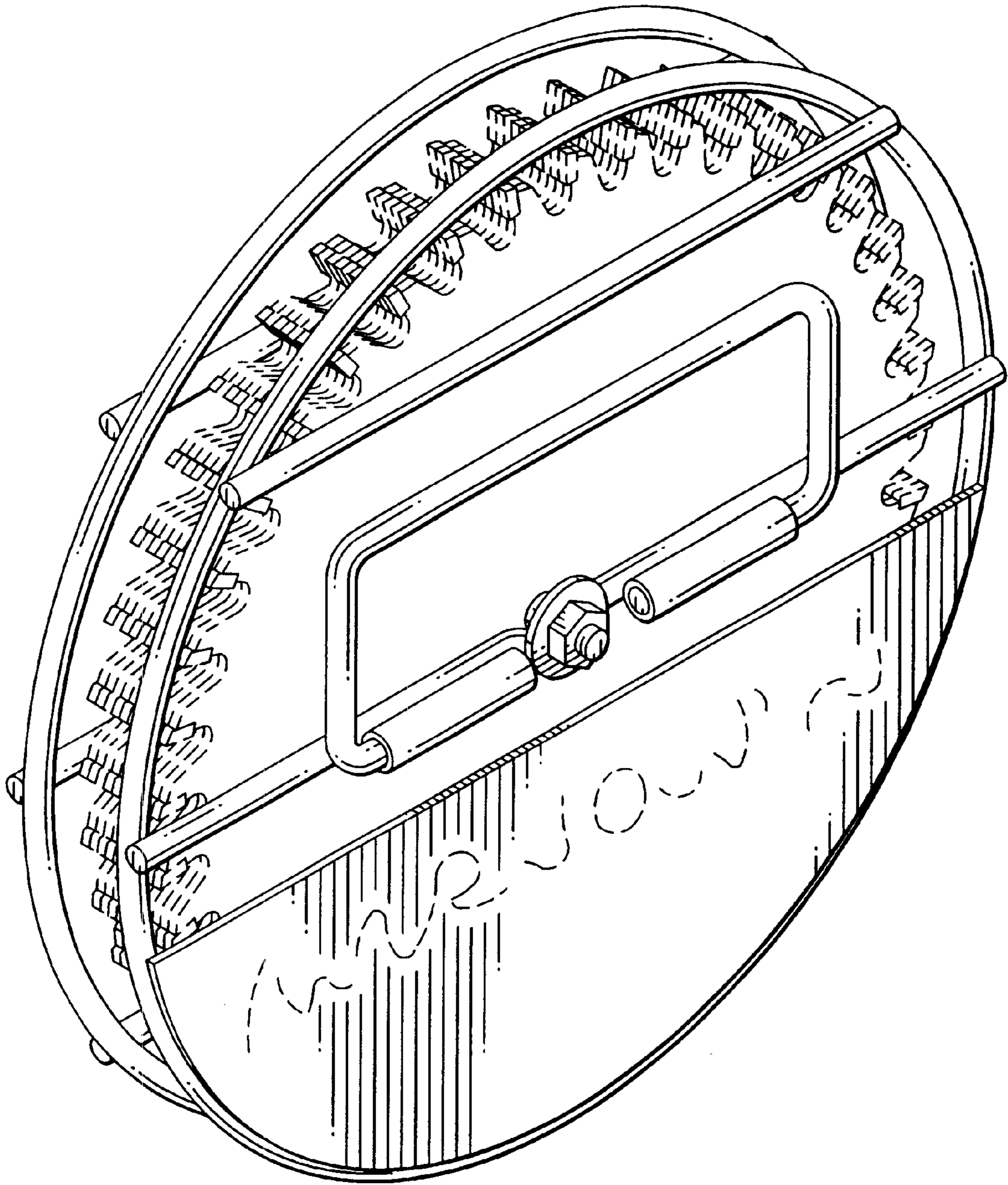


FIG. 8

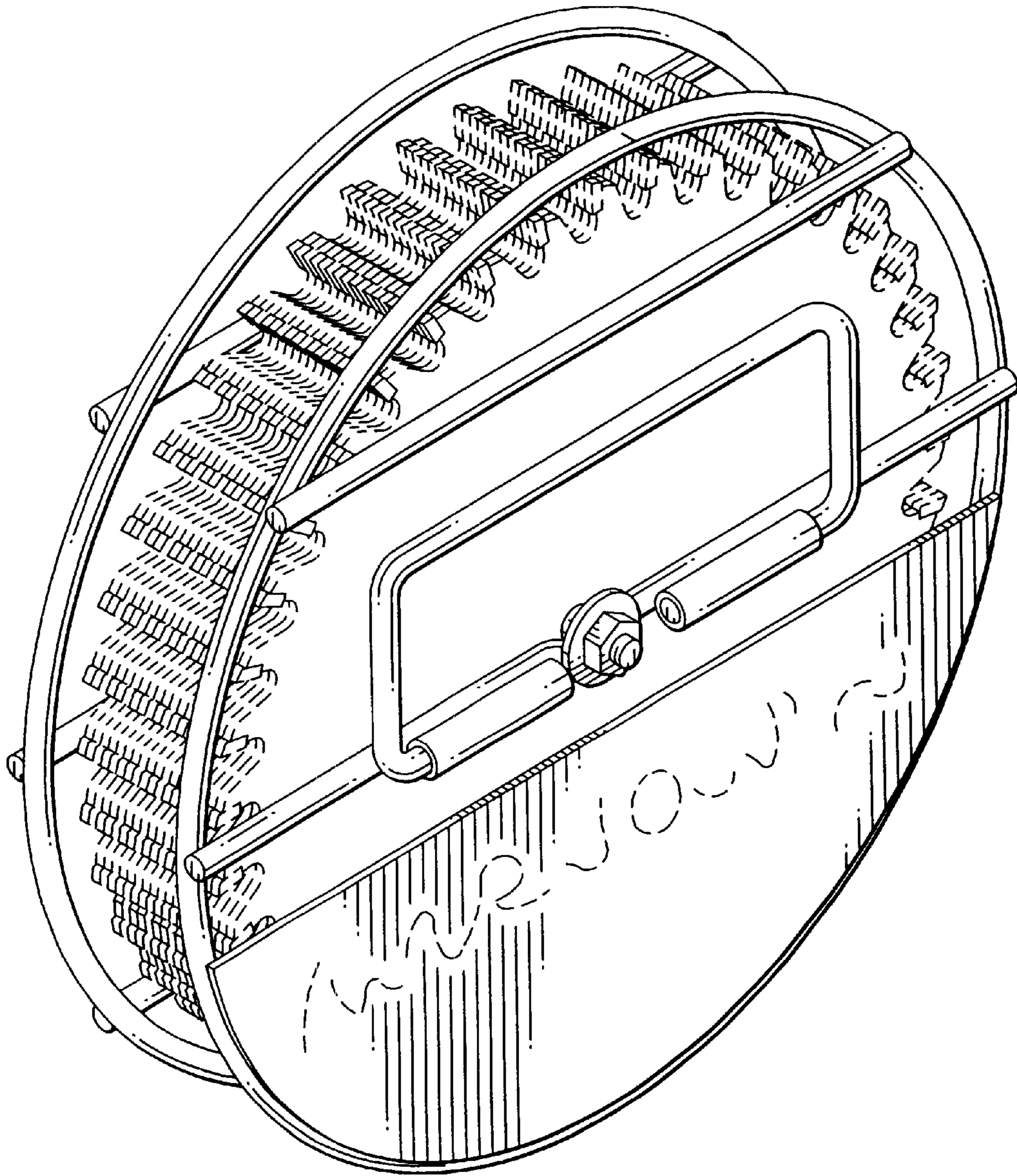


FIG. 9

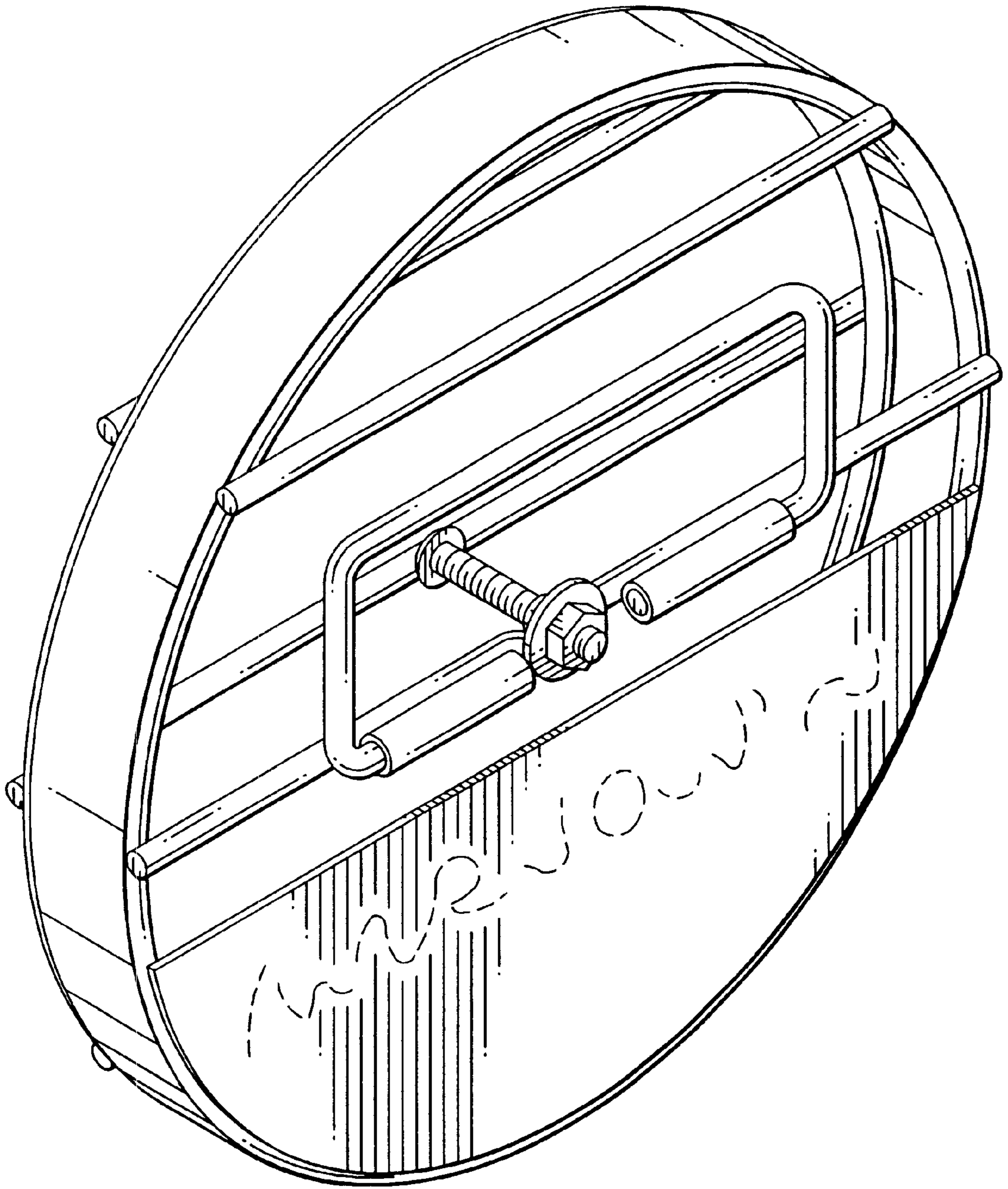


FIG. 10