



US00D466686S

(12) **United States Design Patent**
Brookhouse

(10) **Patent No.:** **US D466,686 S**

(45) **Date of Patent:** **** Dec. 10, 2002**

(54) **ROLL-UP PENCIL CASE**

(75) **Inventor:** **Geoff Joseph Brookhouse, Umina (AU)**

(73) **Assignee:** **Gefkel Pty Ltd, Umina (AU)**

(**) **Term:** **14 Years**

(21) **Appl. No.:** **29/111,259**

(22) **Filed:** **Sep. 23, 1999**

(30) **Foreign Application Priority Data**

Mar. 24, 1999	(AU)	949/99
Mar. 24, 1999	(AU)	950/99
Mar. 24, 1999	(AU)	951/99
Mar. 24, 1999	(AU)	952/99

(51) **LOC (7) Cl.** **03-01**

(52) **U.S. Cl.** **D3/206**

(58) **Field of Search** D3/201, 206, 224, D3/228, 303; D8/71; D19/81, 75, 85, 35; 206/224, 362, 443, 579, 581; 224/223, 904, 918, 920, 931; 190/125; 383/39

(56) **References Cited**

U.S. PATENT DOCUMENTS

2,558,382 A * 6/1951 Previdi 224/918

4,901,464 A	*	2/1990	Banoun	206/579
4,901,899 A	*	2/1990	Barrett	224/920
D323,065 S	*	1/1992	Stricklin et al.	D3/201 X
5,337,933 A	*	8/1994	Nunez	224/904 X
5,427,239 A	*	6/1995	Hunt	190/125
D388,611 S	*	1/1998	Shaw	D3/303
6,065,659 A	*	5/2000	Faz	224/223 X
6,070,729 A	*	6/2000	Barnes	206/581

* cited by examiner

Primary Examiner—Louis S. Zarfaz

Assistant Examiner—Monica A. Weingart

(74) *Attorney, Agent, or Firm*—Davis & Bujold P.L.L.C.

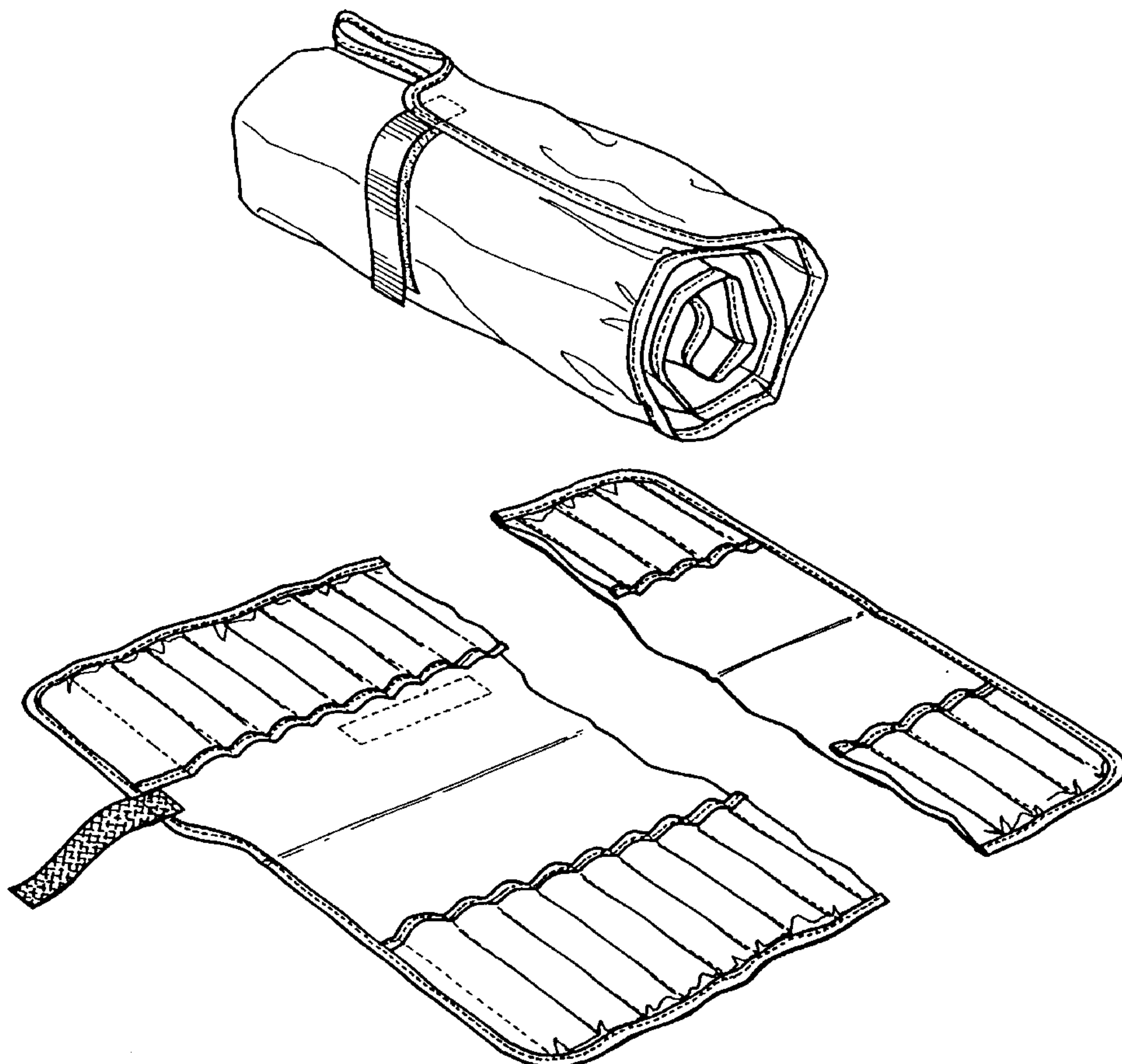
(57) **CLAIM**

The ornamental design for a roll-up pencil case, as shown and described.

DESCRIPTION

FIG. 1 is a side front perspective view of a roll-up pencil case in its rolled up form showing my new design; FIG. 2 is a perspective top view in its unrolled form thereof; FIG. 3 is a top plan view thereof; and, FIG. 4 is a bottom plan view thereof. FIGS. 2, 3, and 4, are shown broken away in the views for ease of illustration.

1 Claim, 2 Drawing Sheets



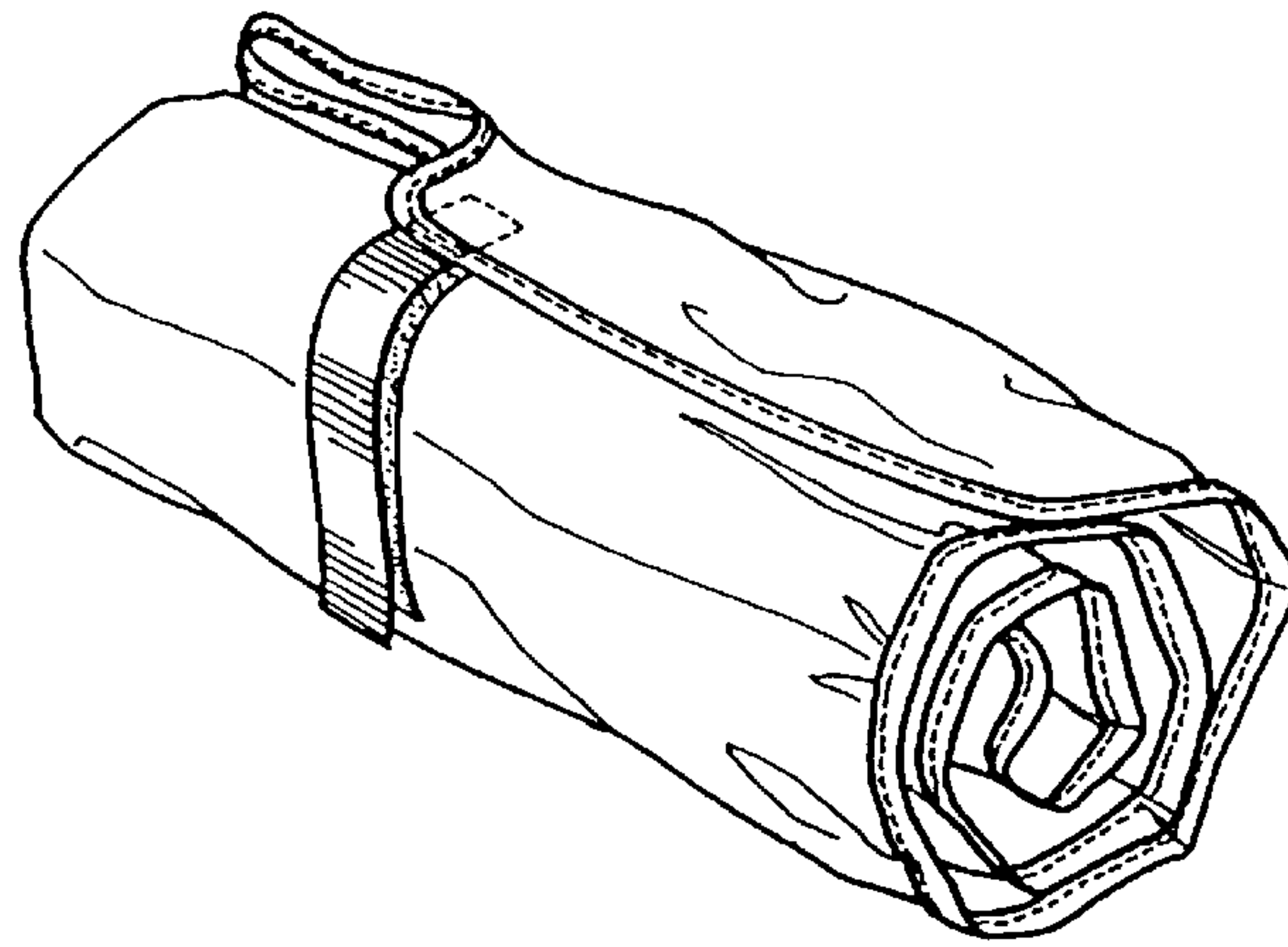


Fig. 1

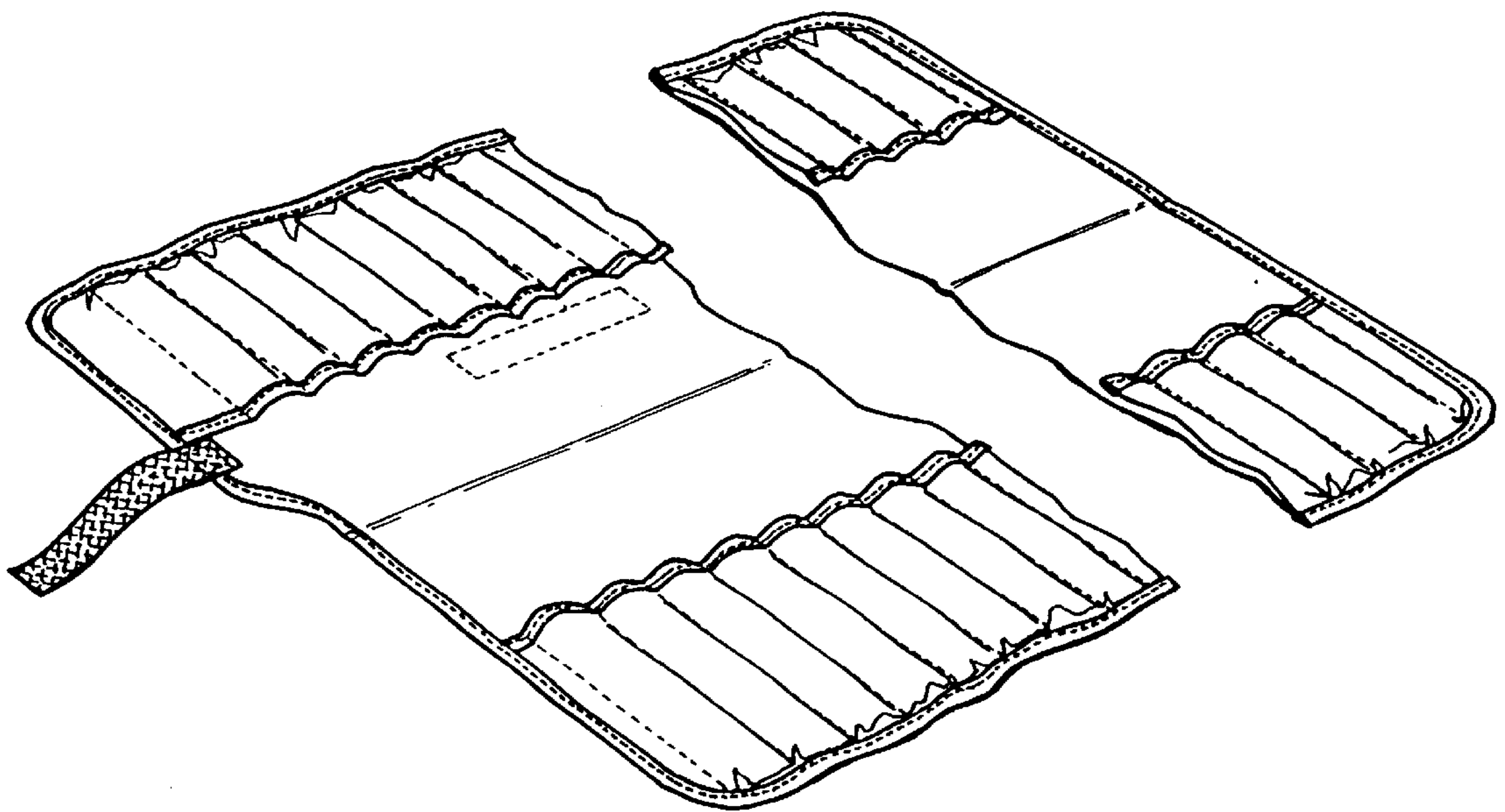


Fig. 2

Fig. 3

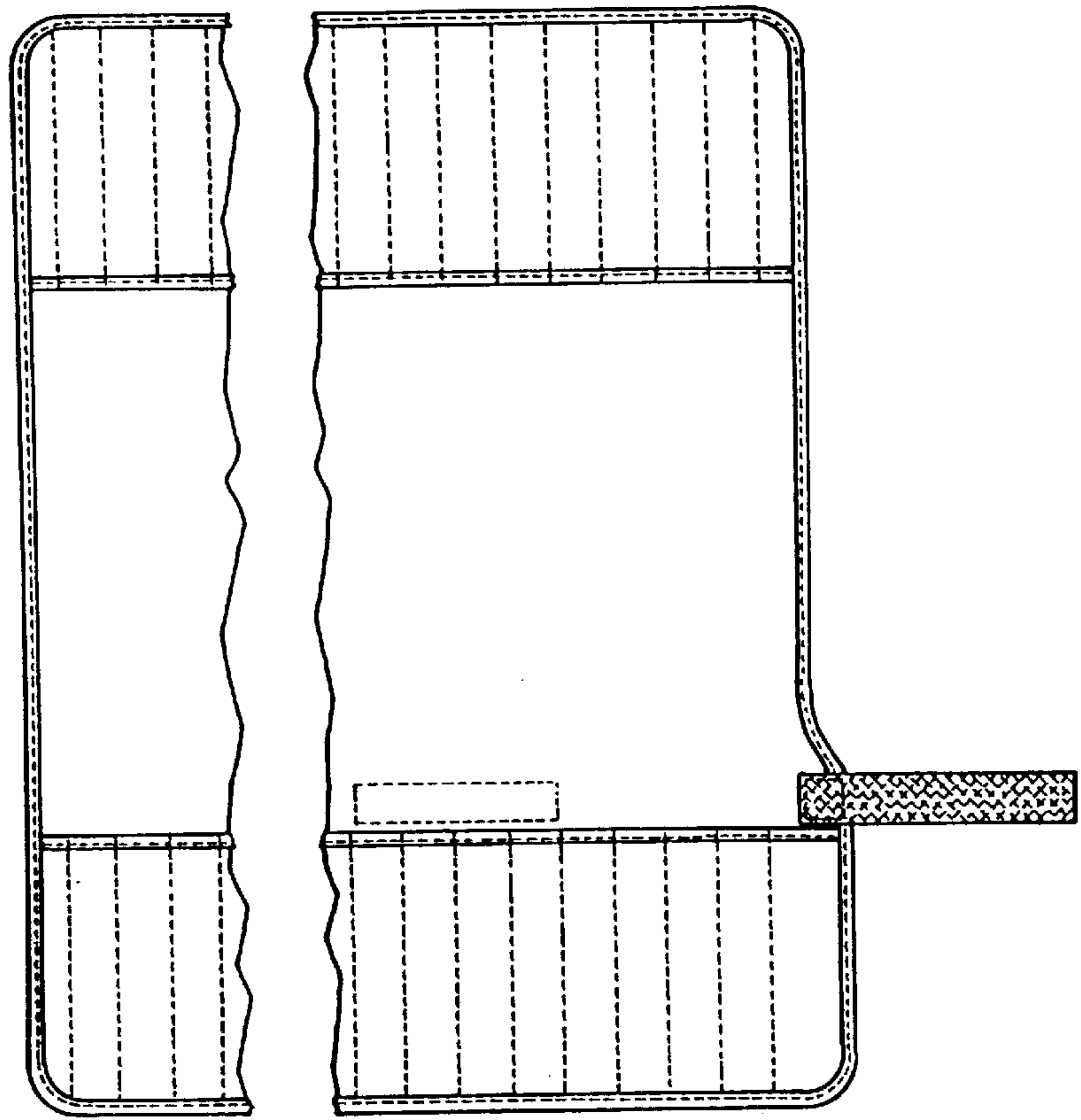


Fig. 4

