



US00D466683S

(12) **United States Design Patent**
Chen

(10) **Patent No.:** **US D466,683 S**

(45) **Date of Patent:** **** Dec. 10, 2002**

- (54) **VAMP**
- (75) Inventor: **Eddie Chen**, Taichung (TW)
- (73) Assignee: **C2 Corporation**, Taichung (TW)
- (**) Term: **14 Years**
- (21) Appl. No.: **29/152,484**
- (22) Filed: **Dec. 26, 2001**
- (51) **LOC (7) Cl.** **02-04**
- (52) **U.S. Cl.** **D2/974; D2/907**
- (58) **Field of Search** D2/896, 902, 907,
D2/943, 944, 946, 969, 972-974; 36/45,
50.1, 51, 77 M, 77 R, 83, 88, 113, 114,
126-130

- D384,805 S * 10/1997 Smith, III D2/972
- D418,667 S 1/2000 McNaught
- D425,292 S * 5/2000 Matis D2/969
- D427,423 S 7/2000 Simpson
- D435,959 S 1/2001 Akhidime
- D449,434 S * 10/2001 Erickson et al. D2/907

* cited by examiner

Primary Examiner—Dominic Simone
(74) *Attorney, Agent, or Firm*—Baker Botts L.L.P.

(57) **CLAIM**

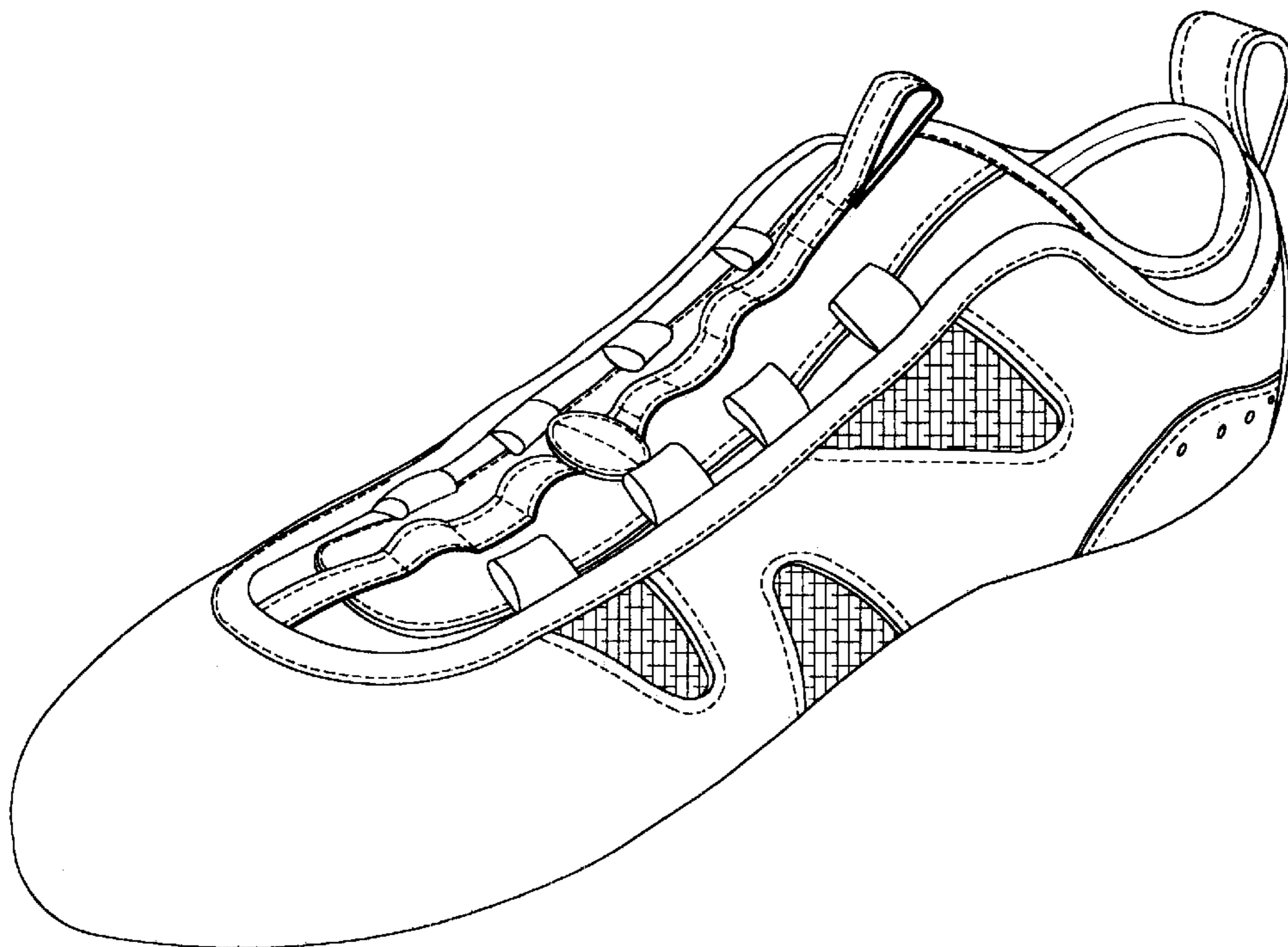
The ornamental design for vamp, as shown and described.

DESCRIPTION

FIG. 1 is a perspective view of vamp showing my new design;
FIG. 2 is a front elevational view thereof;
FIG. 3 is a rear elevational view thereof;
FIG. 4 is a left side elevational view thereof;
FIG. 5 is a right side elevational view thereof;
FIG. 6 is a top plan view thereof; and,
FIG. 7 is a bottom plan view thereof.

- (56) **References Cited**
- U.S. PATENT DOCUMENTS**
- D170,926 S 2/1953 Kettner
- D245,647 S 9/1977 Gadd
- D335,207 S * 5/1993 Lucas D2/969
- D347,310 S * 5/1994 Johnson et al. D2/969
- D382,697 S * 8/1997 Schenone D2/972

1 Claim, 4 Drawing Sheets



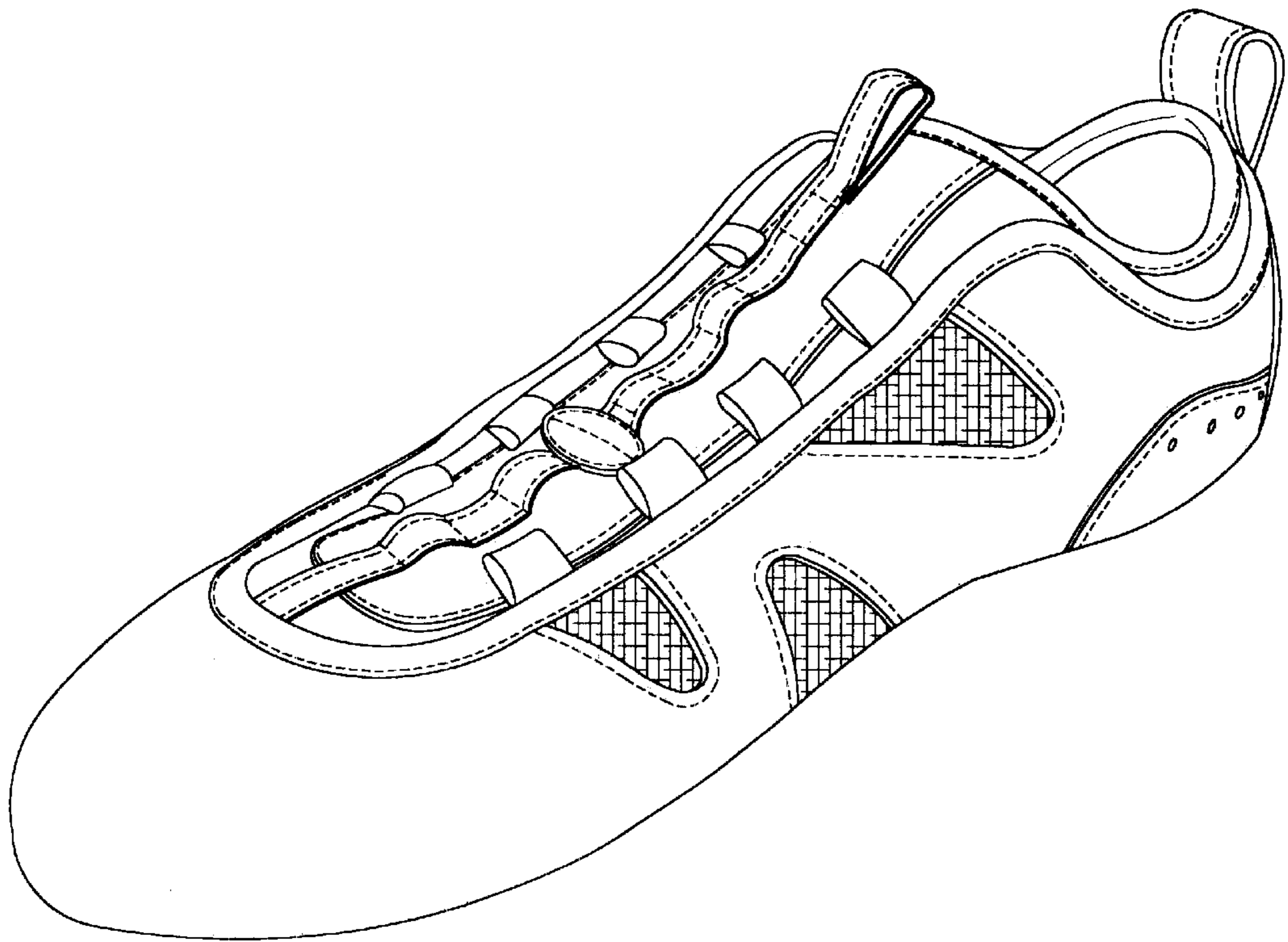


FIG. 1

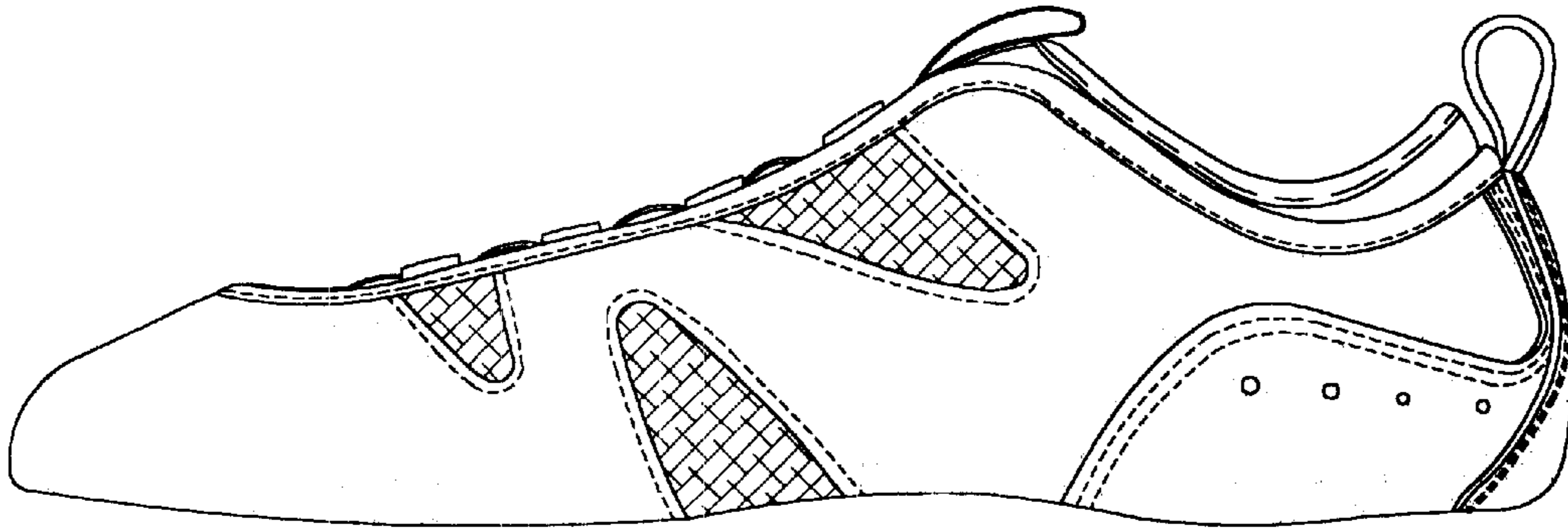


FIG. 2

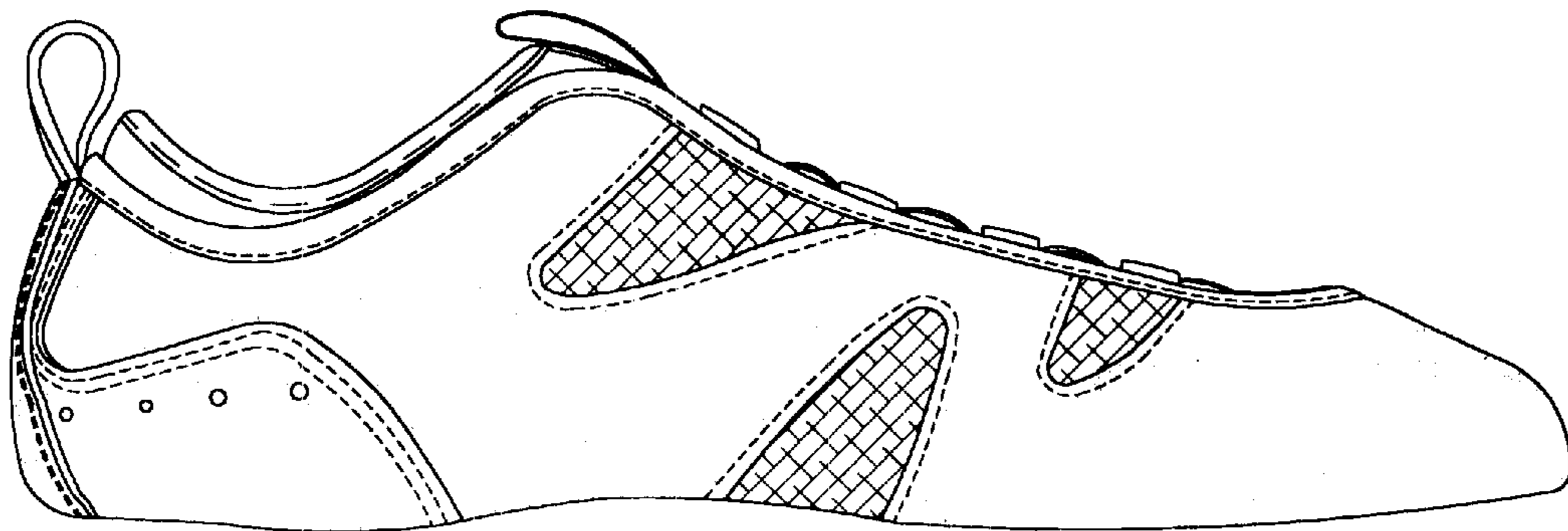


FIG. 3

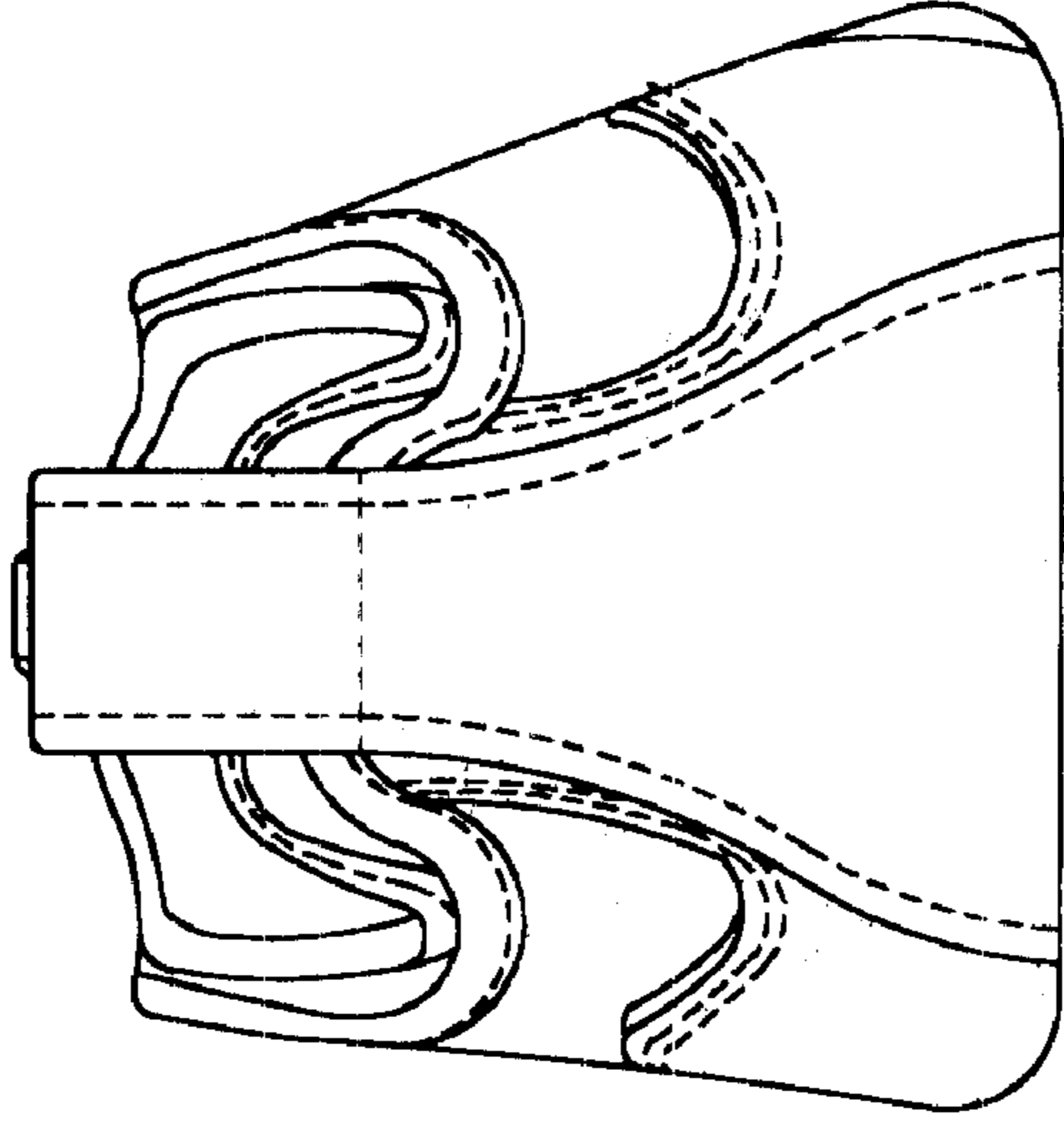


FIG. 5

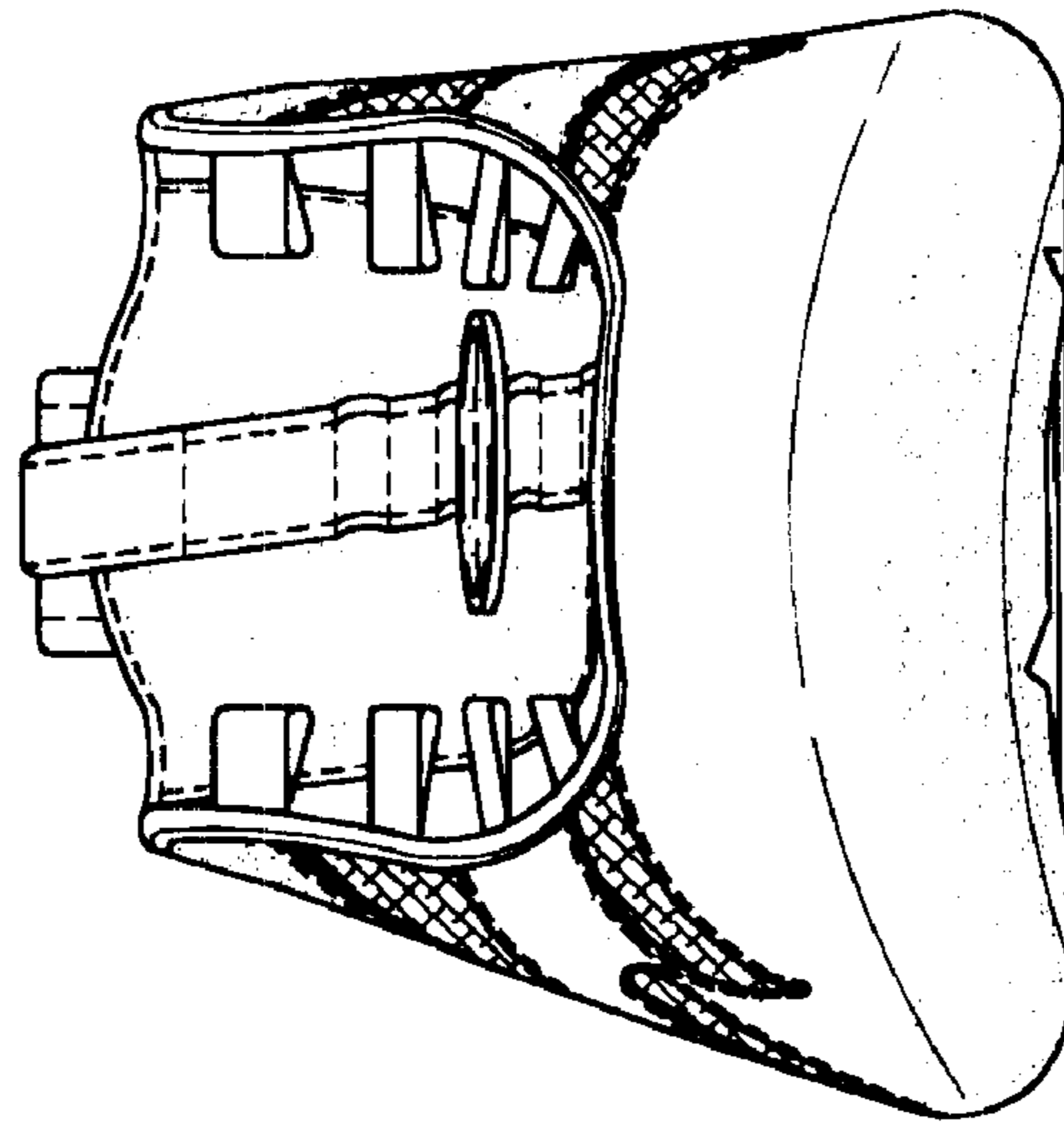


FIG. 4

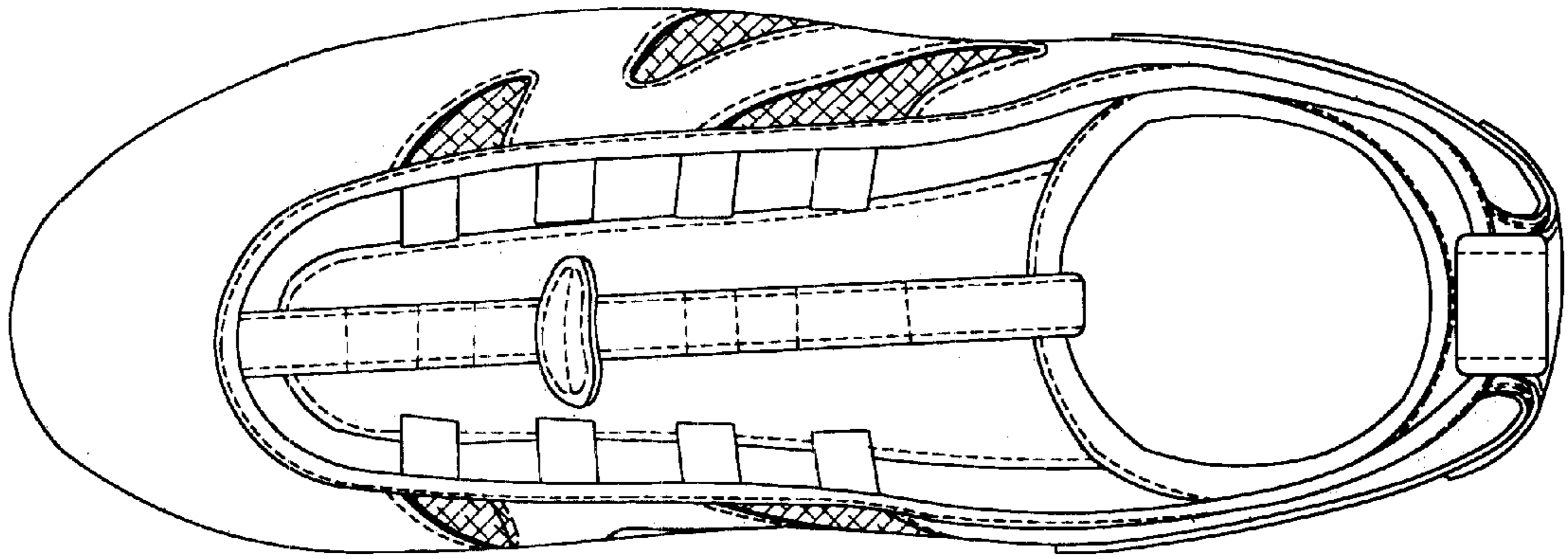


FIG. 6

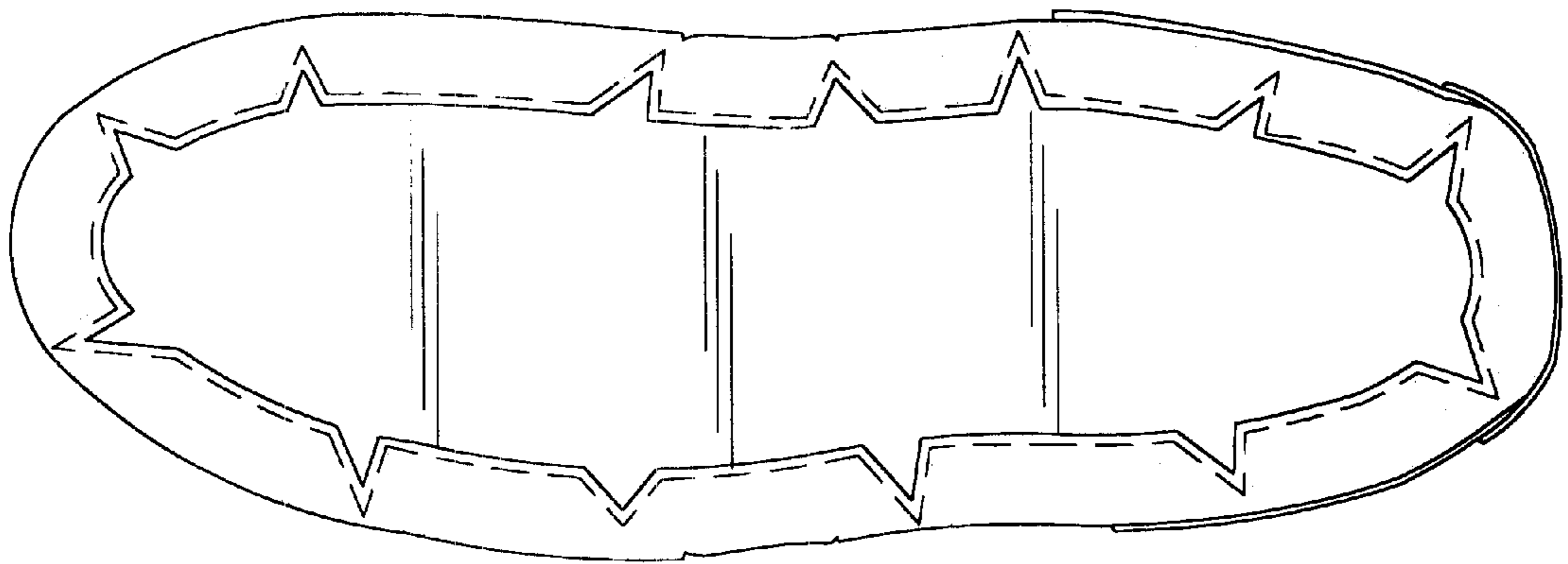


FIG. 7