



US00D46682S

(12) **United States Design Patent**  
**Ortuño Santa**

(10) **Patent No.:** **US D466,682 S**

(45) **Date of Patent:** **\*\* Dec. 10, 2002**

(54) **LEFT FOOTWEAR SOLE**

(76) **Inventor:** **Pedro Ortuño Santa**, Ctra. Jumilla, km 63, 30510 Yecla, Murcia (ES)

(\*\*) **Term:** **14 Years**

(21) **Appl. No.:** **29/155,571**

(22) **Filed:** **Feb. 11, 2002**

(30) **Foreign Application Priority Data**

Oct. 15, 2001 (ES) ..... 152499

(51) **LOC (7) Cl.** ..... **02-04**

(52) **U.S. Cl.** ..... **D2/954; D2/957**

(58) **Field of Search** ..... D2/946-948, 951-962,  
D2/967, 972, 977; 36/7.3, 7.5, 14, 25 R,  
32 R, 3 B, 59 R

(56) **References Cited**

**U.S. PATENT DOCUMENTS**

989,514 A	*	4/1911	Sanford	.....	36/59 R
D54,515 S	*	2/1920	Wolcott	.....	D2/955
D61,453 S	*	9/1922	Todd		
D173,893 S	*	1/1955	Bovay		
D210,714 S	*	4/1968	Pradet		
4,085,527 A	*	4/1978	Riggs	.....	36/114
D287,662 S	*	1/1987	Tonkel	.....	D2/955
5,335,429 A	*	8/1994	Hansen	.....	36/7.5
D389,995 S	*	2/1998	Cockrell	.....	D2/957
D426,053 S	*	6/2000	Santa	.....	D2/954
D427,756 S	*	7/2000	Santa	.....	D2/955

D429,062 S	*	8/2000	Santa	.....	D2/954
D437,476 S	*	2/2001	Cavallin et al.	.....	D2/916
D441,944 S	*	5/2001	Rogers	.....	D2/956
D446,634 S	*	8/2001	Santa	.....	D2/953

\* cited by examiner

*Primary Examiner*—Celia Murphy

(74) *Attorney, Agent, or Firm*—Intellectual Property Law Group LLP; Otto O. Lee; Takashi Hashimoto

(57) **CLAIM**

The ornamental design for a left footwear sole, as shown and described.

**DESCRIPTION**

FIG. 1 is the bottom view of a left footwear sole embodying my design.

FIG. 2 is the right side view of a left footwear sole embodying my design.

FIG. 3 is the top view of a left footwear sole embodying my design.

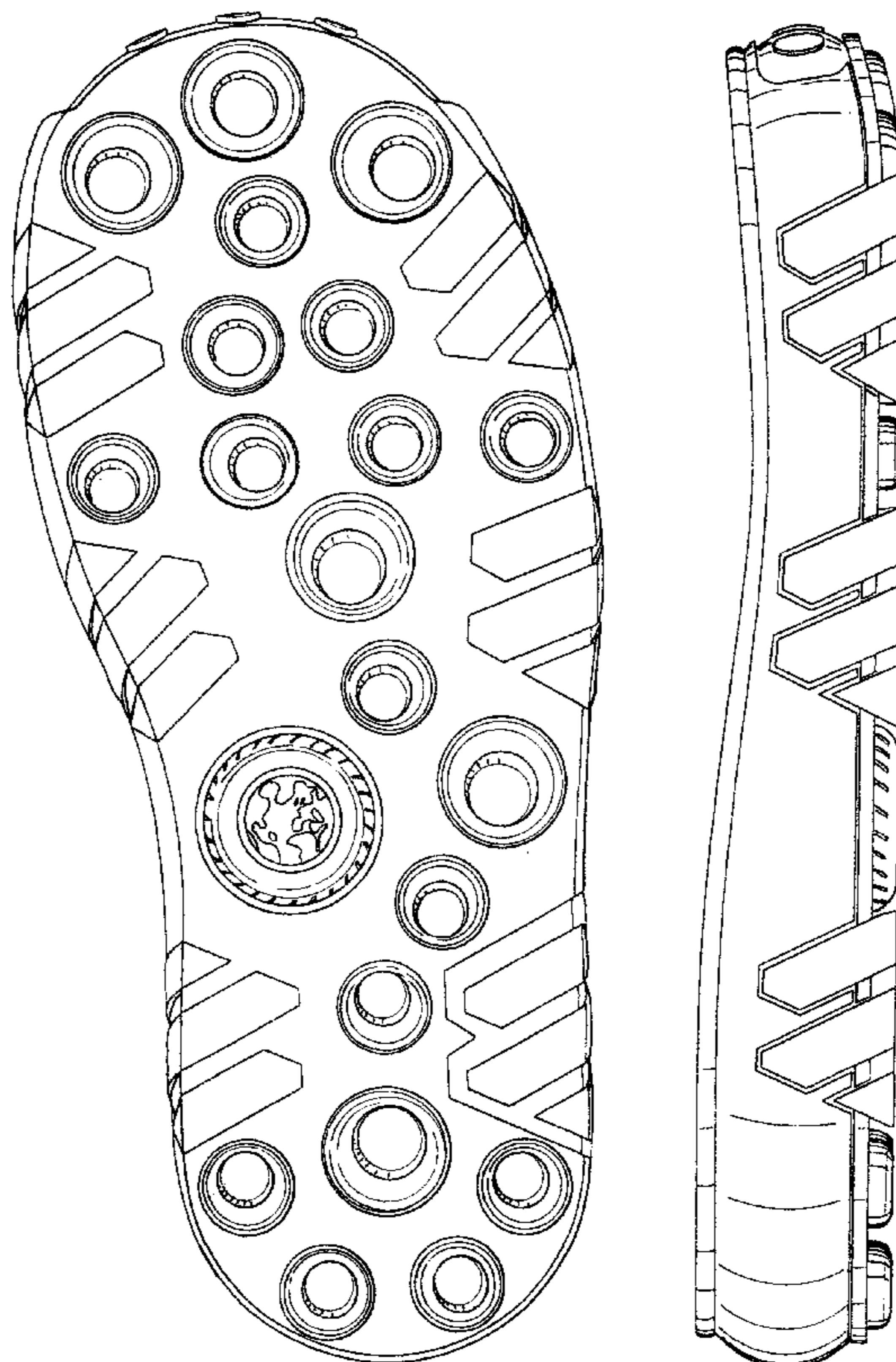
FIG. 4 is the left side view of a left footwear sole embodying my design.

FIG. 5 is the front elevational view of a left footwear sole embodying my design.

FIG. 6 is the rear elevational view of a left footwear sole embodying my design; and,

FIG. 7 is the perspective view of a left footwear sole embodying my design.

**1 Claim, 4 Drawing Sheets**



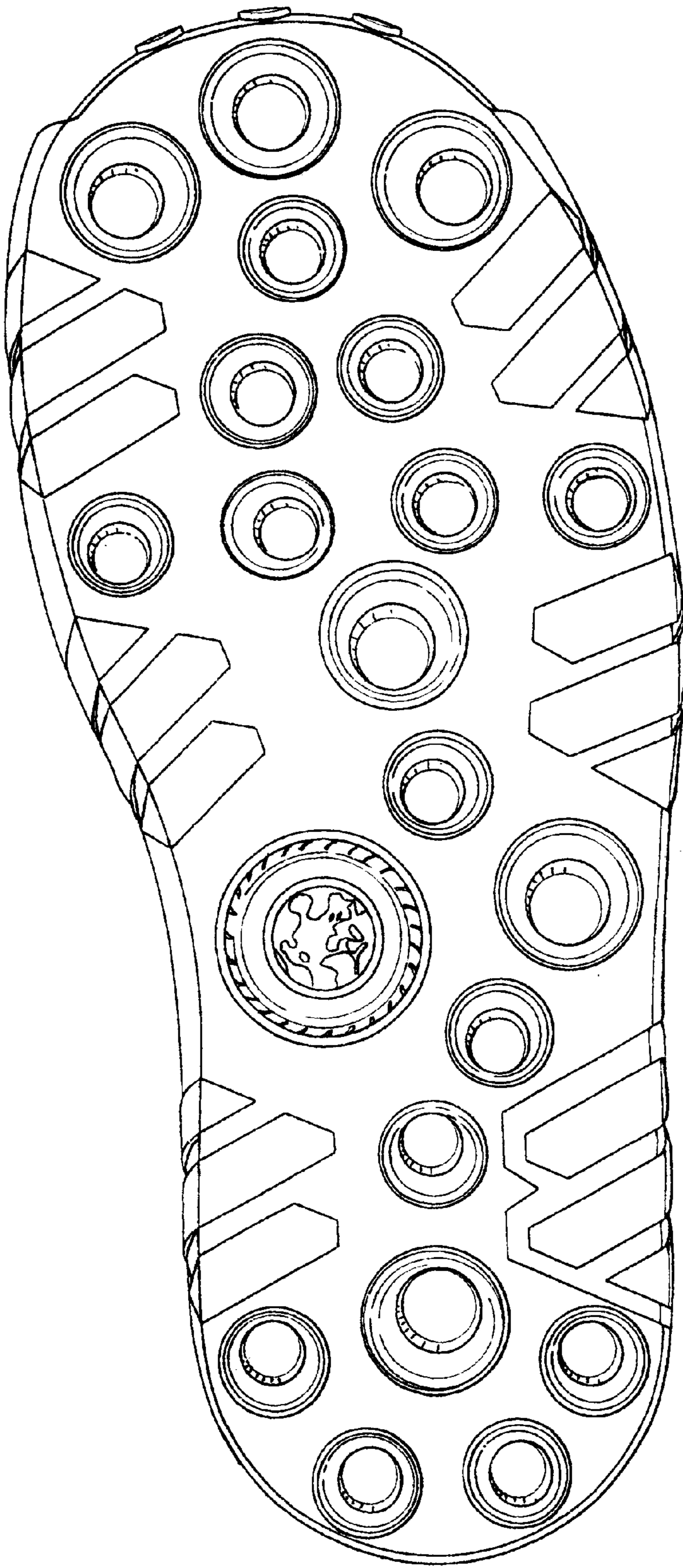


FIG. 1

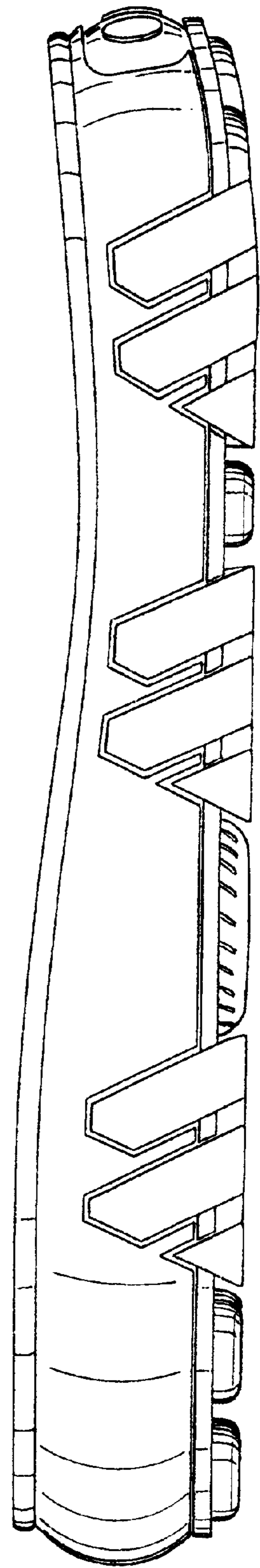


FIG. 2



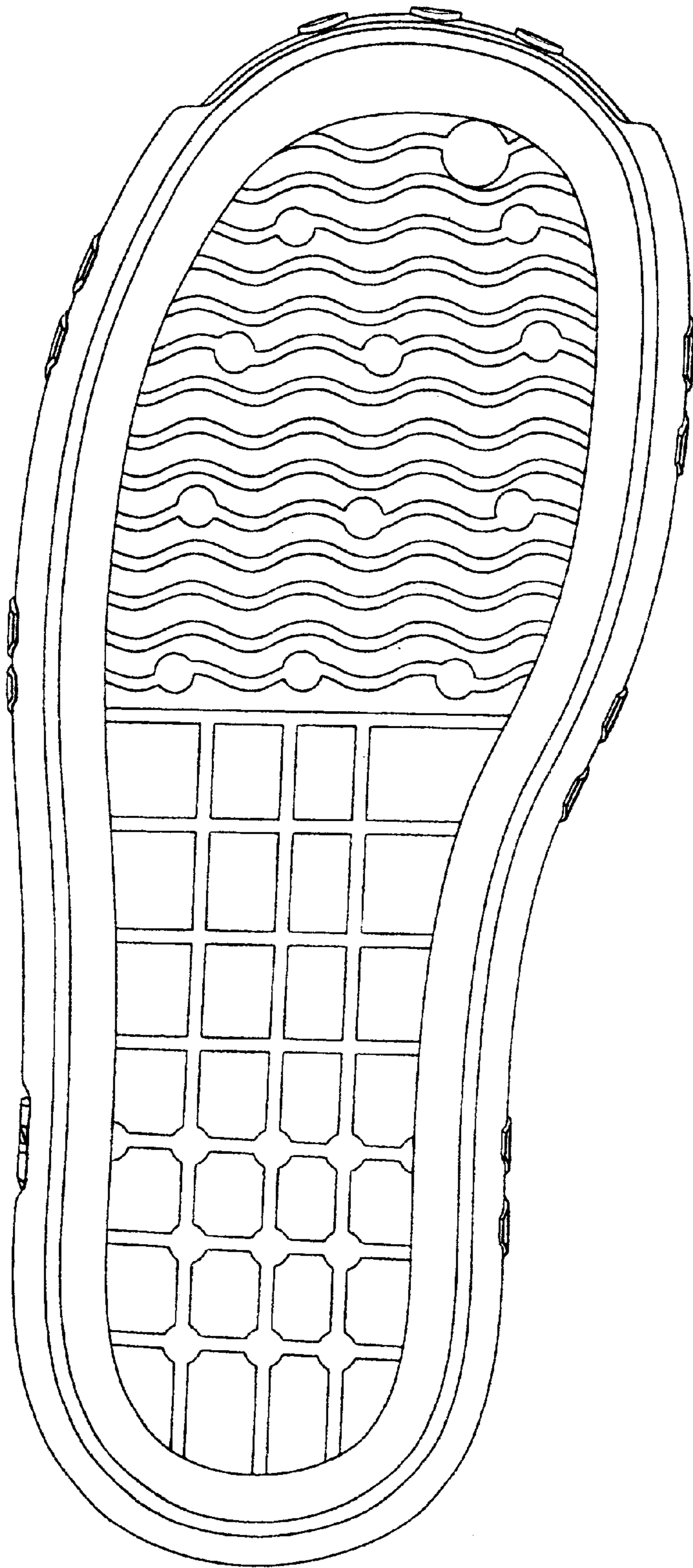


FIG. 3

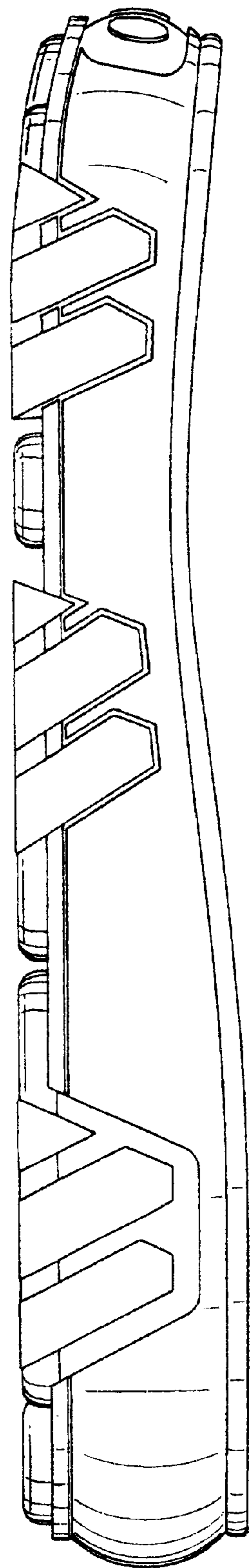


FIG. 4

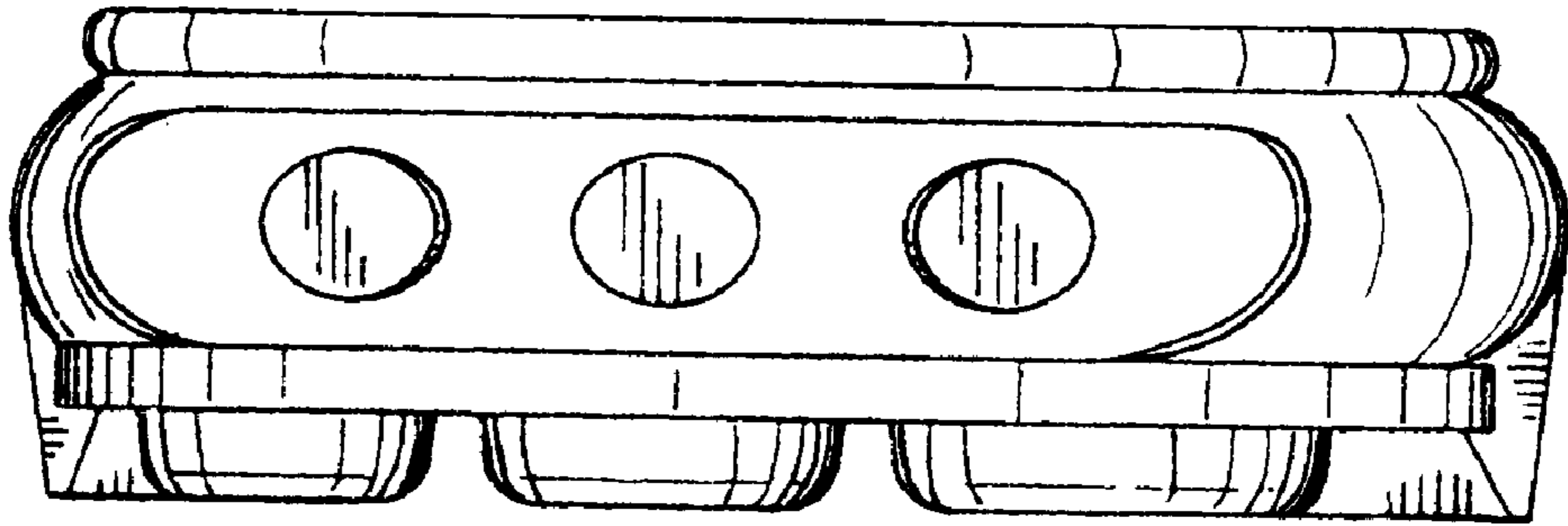


FIG. 5

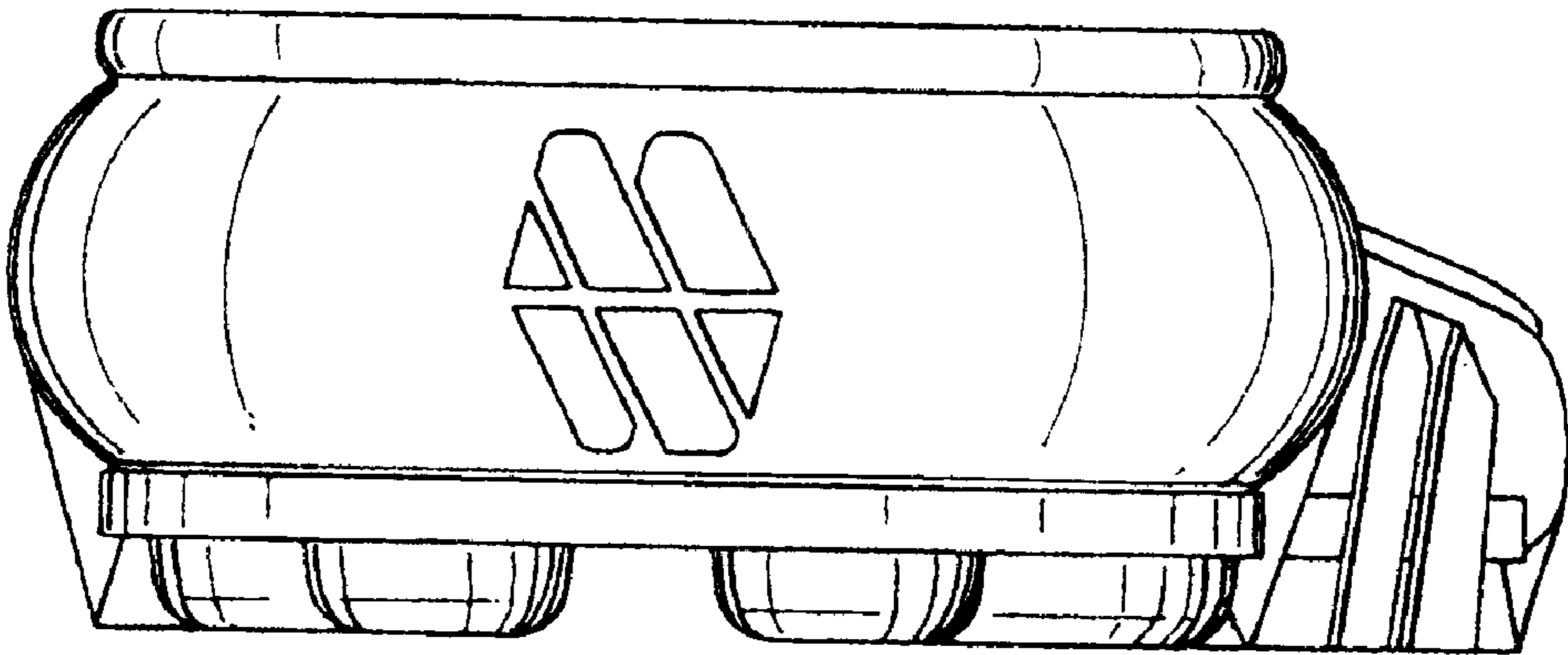


FIG. 6

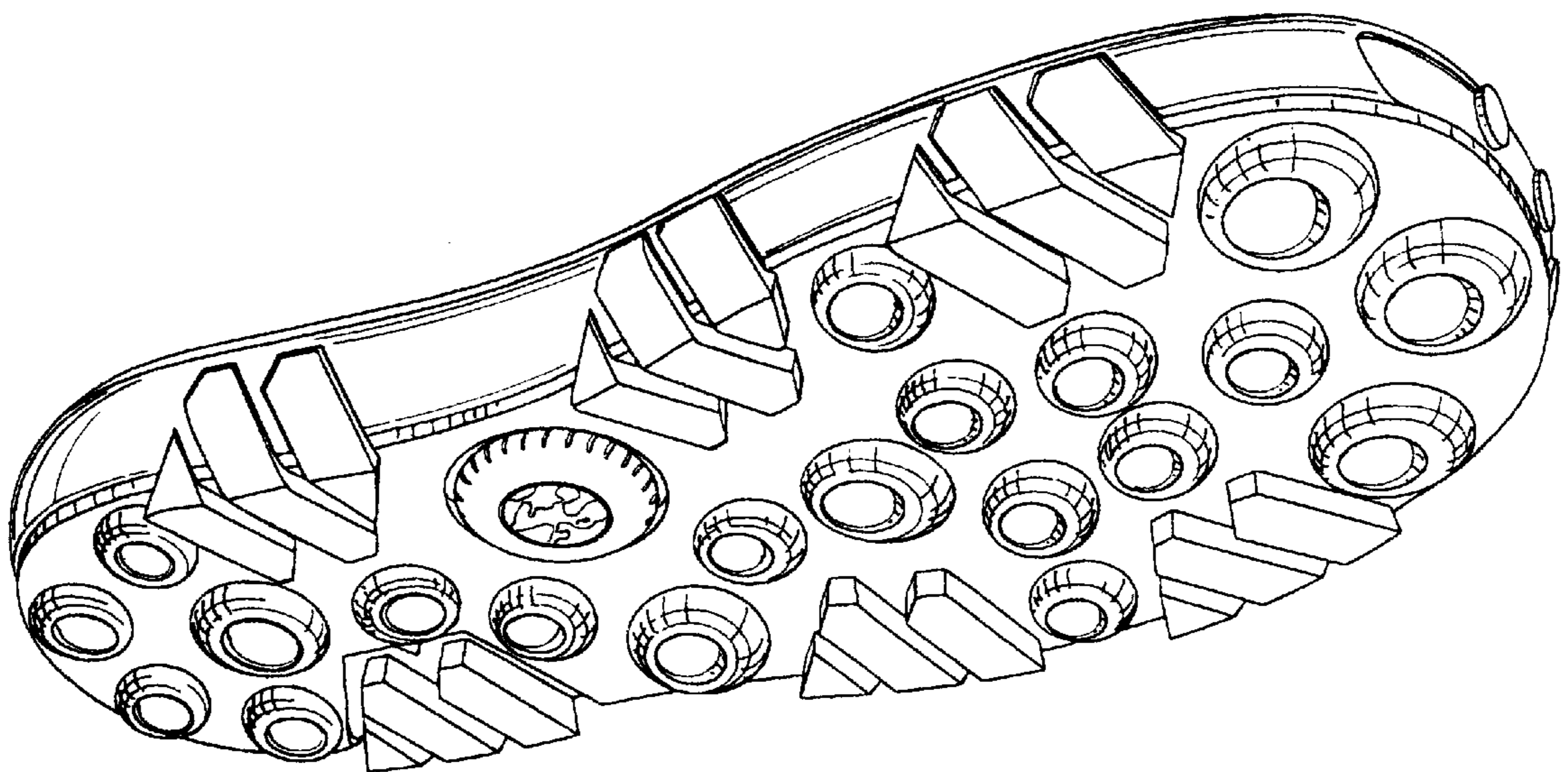


FIG. 7