



US00D46668S

(12) **United States Design Patent**  
**Peschmann**

(10) **Patent No.:** **US D466,668 S**

(45) **Date of Patent:** **\*\* Dec. 3, 2002**

(54) **UTILITY CART AND STOOL**

(75) **Inventor:** **Joseph J. Peschmann**, Plover, WI (US)

(73) **Assignee:** **Fulton Performance Products, Inc.**,  
Mosinee, WI (US)

(\*\*) **Term:** **14 Years**

(21) **Appl. No.:** **29/152,229**

(22) **Filed:** **Oct. 30, 2001**

(51) **LOC (7) Cl.** ..... **12-02**

(52) **U.S. Cl.** ..... **D34/23; D6/349**

(58) **Field of Search** ..... **D6/349-353, 495,**  
**D6/355, 336; 297/461, 462, 423.1, 423.14,**  
**423.15, 423.16, 423.39, 423.4, 423.41;**  
**D34/23; 280/32.5, 32.6, 30**

5,611,551 A	3/1997	Lin	
5,707,067 A	1/1998	Smith	
RE35,732 E	2/1998	Shockley	
D399,626 S	10/1998	Taylor	
D400,677 S	* 11/1998	Borner et al. ....	D34/23
D410,128 S	5/1999	Dallas et al.	
D412,045 S	7/1999	Yuan	
6,010,187 A	1/2000	Dallas et al.	
6,050,546 A	4/2000	Peschmann et al.	
6,095,532 A	8/2000	Martin	

\* cited by examiner

*Primary Examiner*—Janice E. Seeger

(74) *Attorney, Agent, or Firm*—McDonald, Hopkins, Burke & Haber LPA; Robert H. Earp, III; Ronald D. Gutt

(57) **CLAIM**

The ornamental design for a utility cart and stool, as shown and described.

(56) **References Cited**

**U.S. PATENT DOCUMENTS**

1,327,103 A	1/1920	Knowles
2,595,784 A	5/1952	Griffin et al.
4,580,799 A	4/1986	Quinonez
4,682,750 A	7/1987	Rudolph et al.
4,741,512 A	5/1988	Elkuch et al.
4,895,380 A	1/1990	Brooks et al.
5,072,955 A	12/1991	Holland et al.
D344,835 S	3/1994	MacEachern
5,451,068 A	9/1995	Shockley

**DESCRIPTION**

FIG. 1 is a perspective view of a utility cart and stool showing my new design;

FIG. 2 is a front elevational view thereof;

FIG. 3 is a left side view thereof;

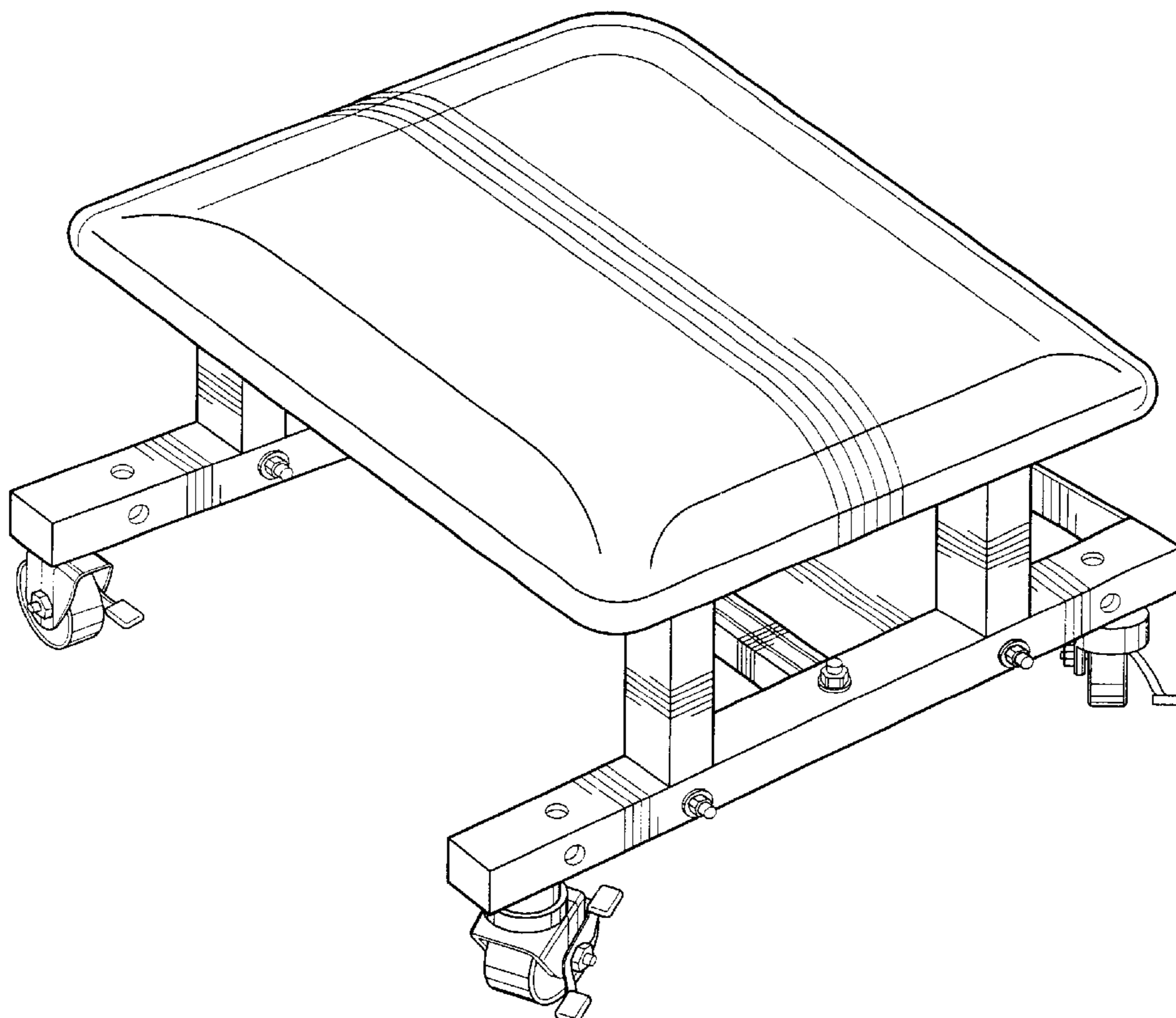
FIG. 4 is a right side view thereof;

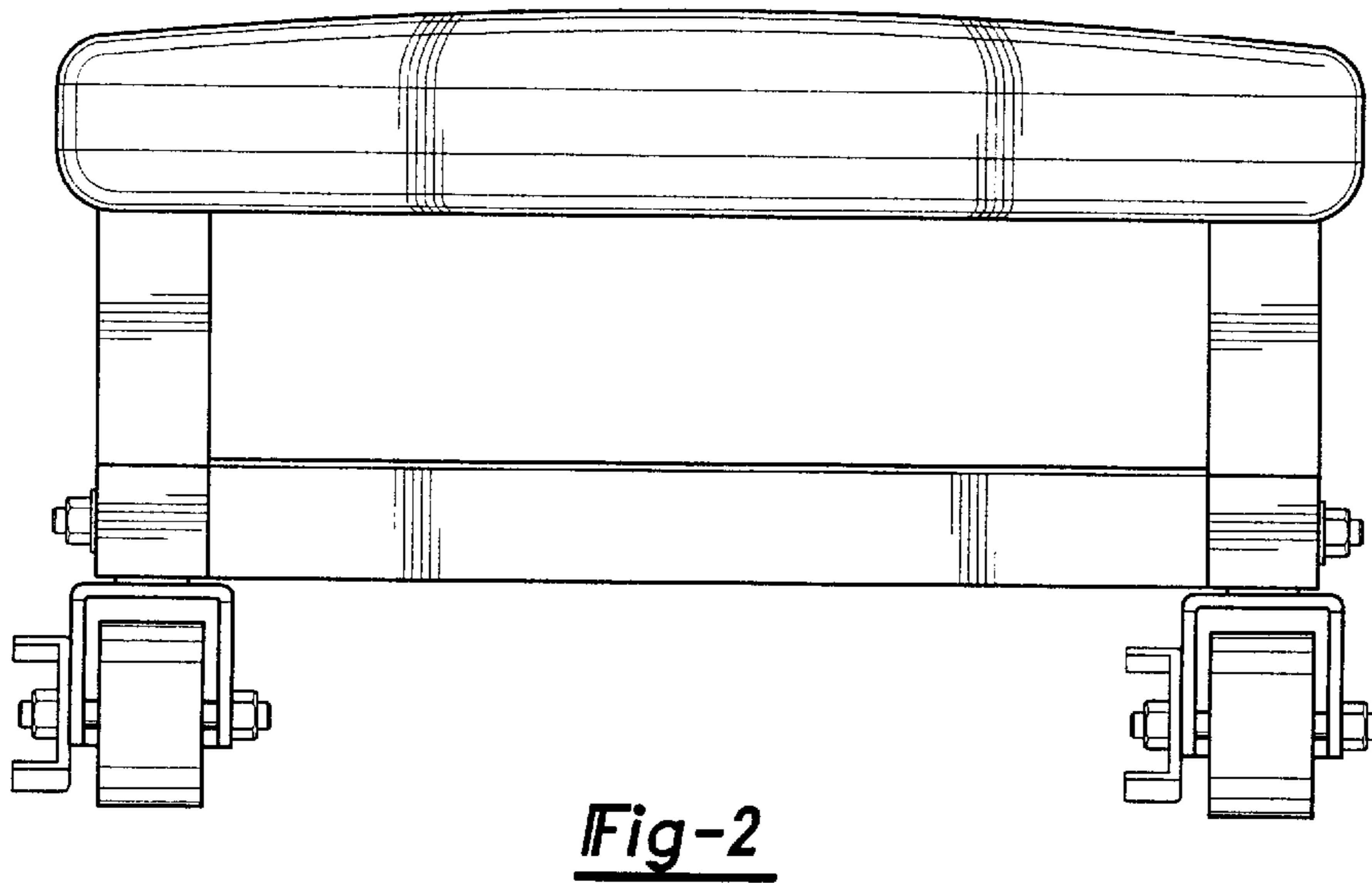
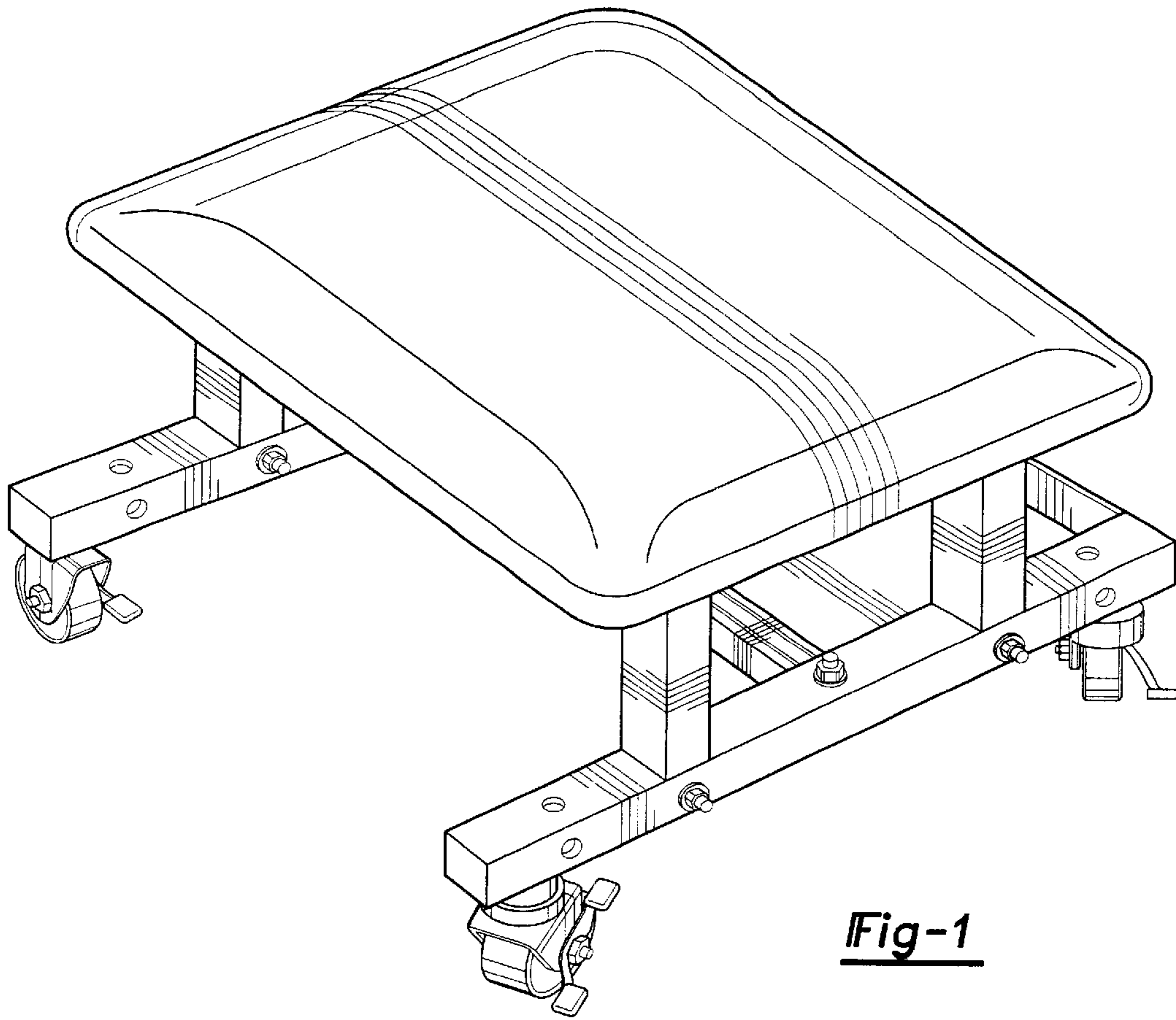
FIG. 5 is a rear elevational view thereof;

FIG. 6 is a top plan view thereof; and,

FIG. 7 is a bottom plan view thereof.

**1 Claim, 4 Drawing Sheets**





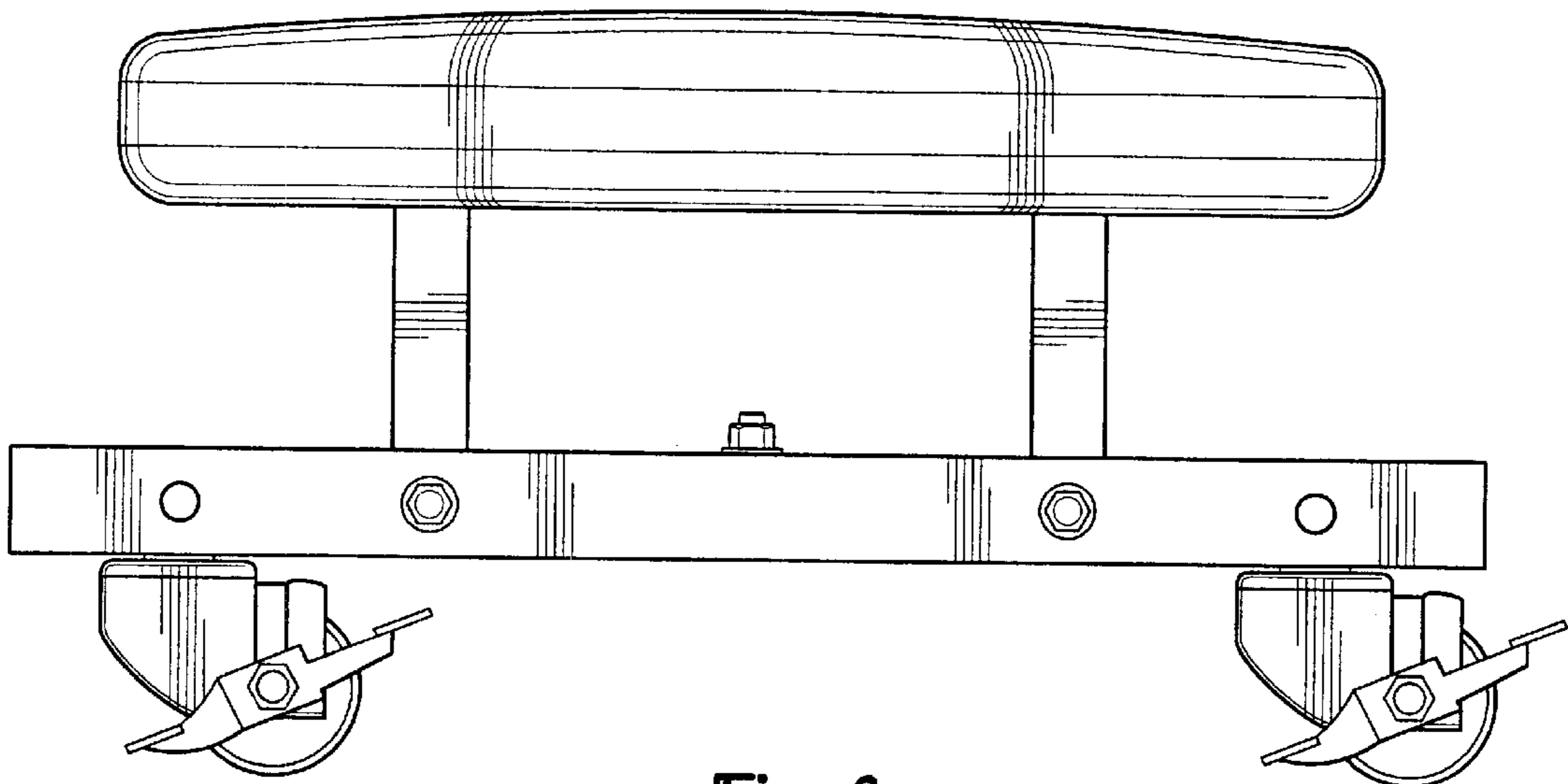


Fig-3

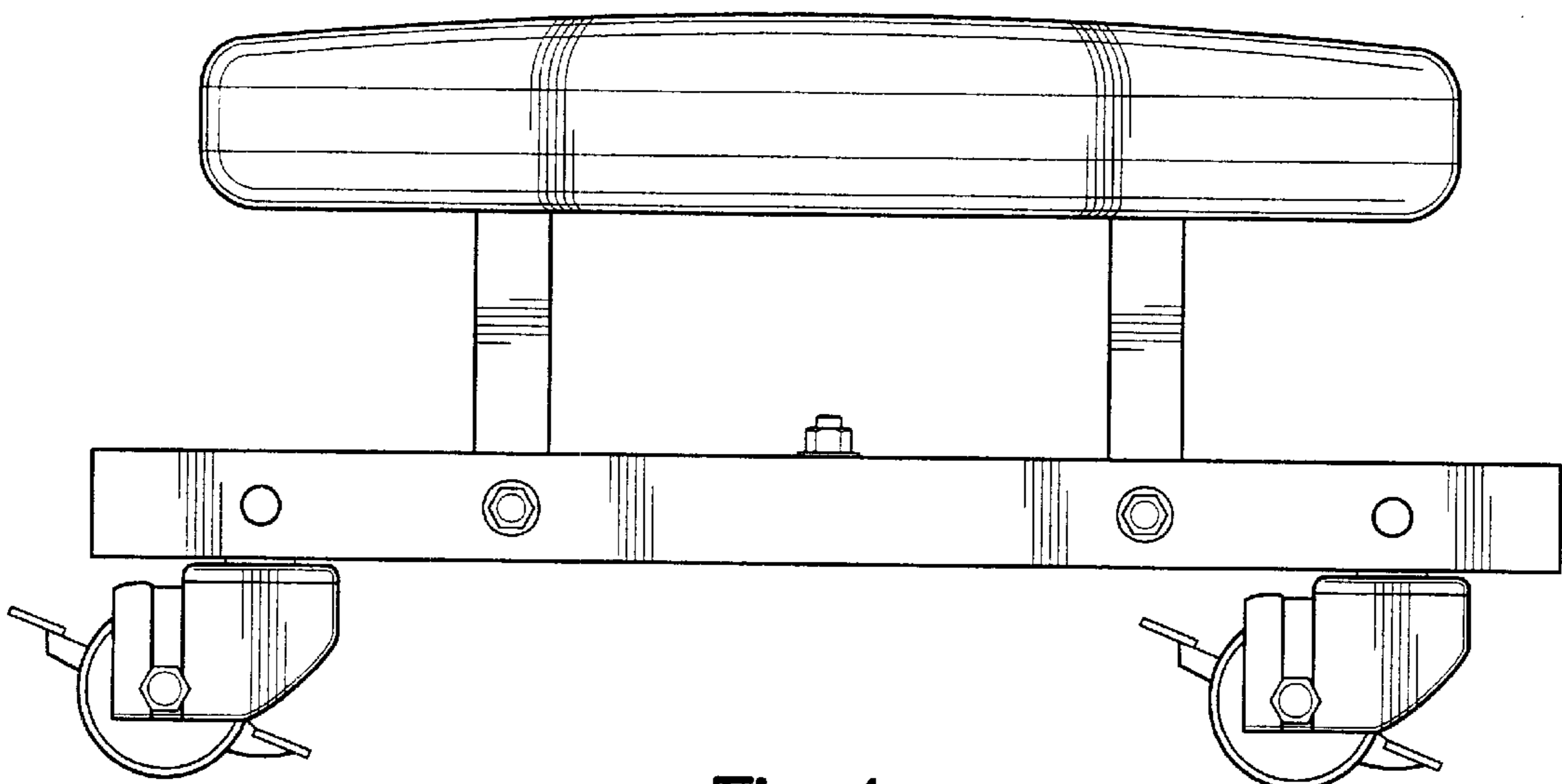


Fig-4

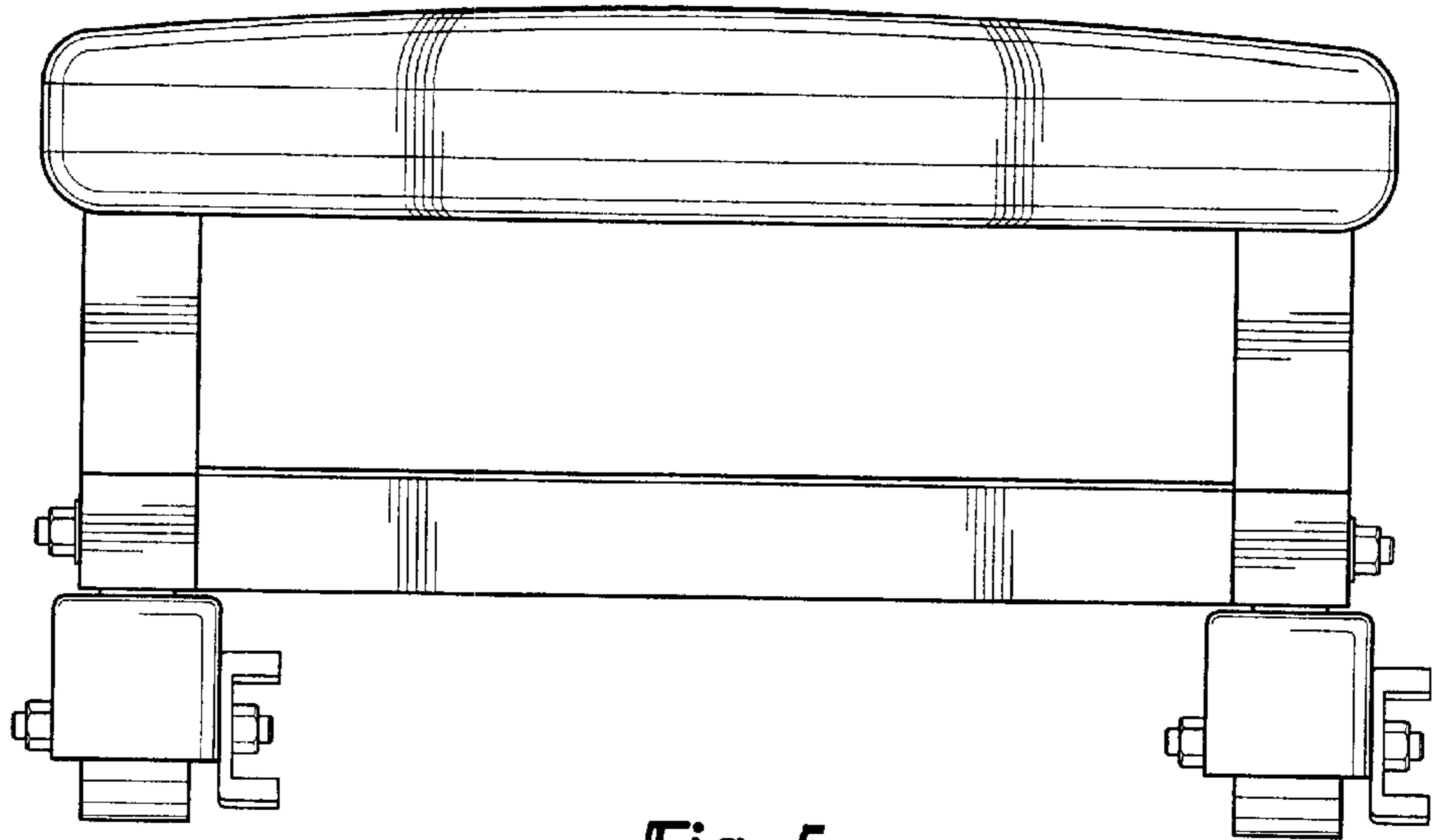


Fig-5

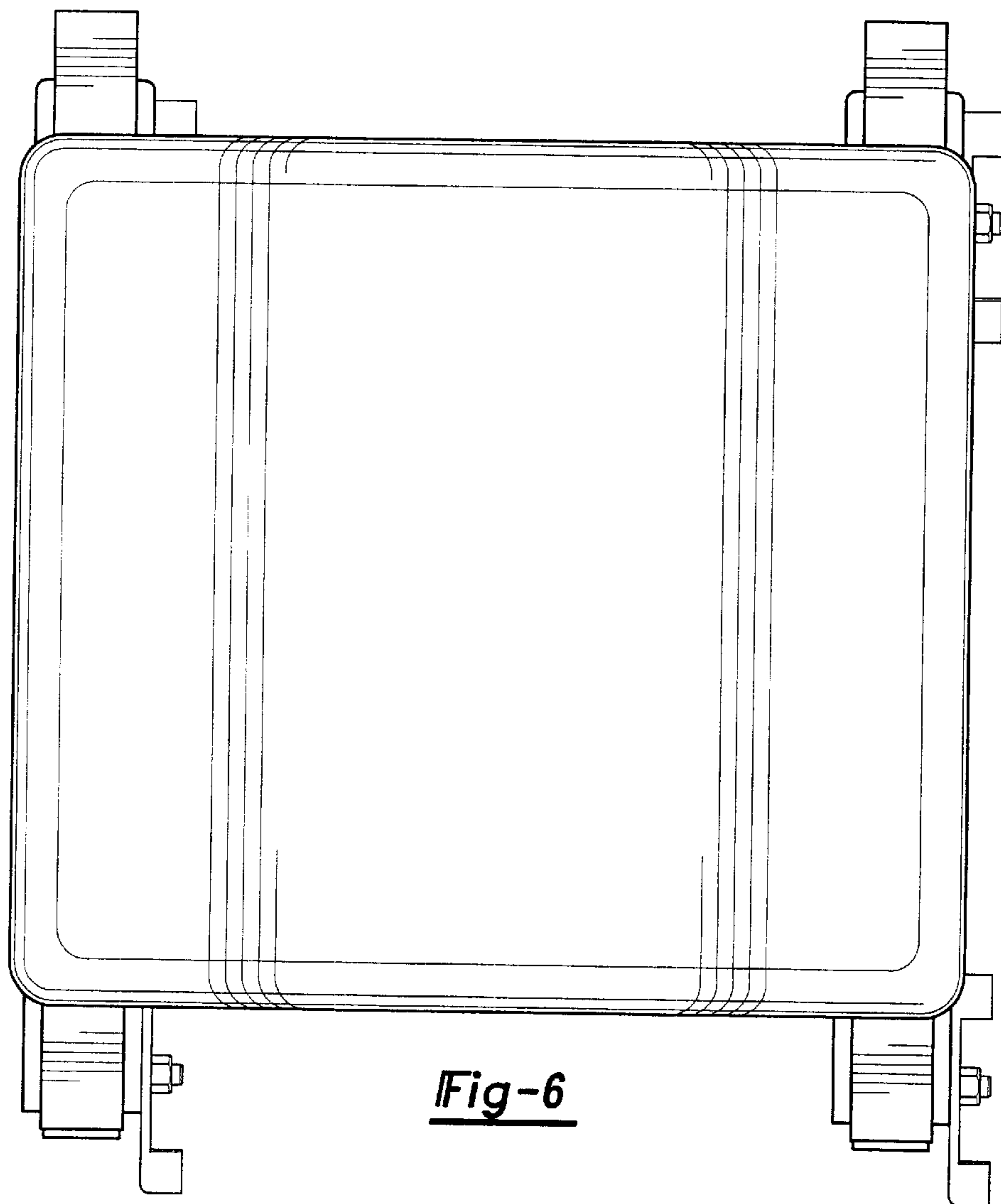


Fig-6

