



US00D466661S

(12) **United States Design Patent**
Schmidt et al.

(10) **Patent No.:** **US D466,661 S**

(45) **Date of Patent:** **** Dec. 3, 2002**

(54) **PLUNGER HANDLE**

(75) Inventors: **William F. Schmidt**, Libertyville, IL (US); **Michael S. Murphy**, Wilmette, IL (US); **Mark A. Mrocca**, Belleville, MI (US); **Kathleen D. Fisher**, Lake Villa, IL (US)

(73) Assignee: **The Faucet-Queens, Inc.**, Vernon Hills, IL (US)

(**) Term: **14 Years**

(21) Appl. No.: **29/143,243**

(22) Filed: **Jun. 8, 2001**

(51) **LOC (7) Cl.** **08-99**

(52) **U.S. Cl.** **D32/35**

(58) **Field of Search** D3/7, 10, 12, 16;
D8/14, 107; D21/727, 756; D32/34, 35;
4/225.01, 255.04-255.09, 255.11, 255.12;
15/143.1; 16/110.1, 430; 135/65-66, 72,
76

(56) **References Cited**

U.S. PATENT DOCUMENTS

| | | | | | | |
|-----------|---|---|---------|---------------|-------|--------|
| 107,000 | A | * | 9/1870 | Chapman | | 135/65 |
| D11,687 | S | * | 3/1880 | Heiter et al. | | D3/16 |
| D73,948 | S | * | 11/1927 | Soriente | | D3/7 |
| 4,008,933 | A | | 2/1977 | Wanek | | |
| 4,458,368 | A | | 7/1984 | Webb | | |
| 4,768,237 | A | | 9/1988 | Torti | | |

| | | | | | | |
|-----------|---|---|---------|---------------|--|--|
| 4,831,669 | A | | 5/1989 | Edwards | | |
| D329,483 | S | * | 9/1992 | Herold | | |
| 5,456,356 | A | | 10/1995 | Kurzawa | | |
| 5,836,322 | A | | 11/1998 | Borger et al. | | |
| 5,924,566 | A | | 7/1999 | Gibbs | | |
| 5,958,150 | A | | 9/1999 | Borger et al. | | |
| 5,971,141 | A | | 10/1999 | Shafik | | |
| 6,035,456 | A | | 3/2000 | Taylor | | |
| 6,038,709 | A | | 3/2000 | Kent | | |

* cited by examiner

Primary Examiner—Alan P. Douglas

Assistant Examiner—Lavone Tabor

(74) *Attorney, Agent, or Firm*—Kwadjo Adusei-Poku; Lloyd D. Doigan

(57) **CLAIM**

The ornamental design for a plunger handle, as shown and described.

DESCRIPTION

FIG. 1 is a top perspective view of a plunger handle showing our new design;

FIG. 2 is a left side elevational view thereof;

FIG. 3 is a right side elevational view thereof;

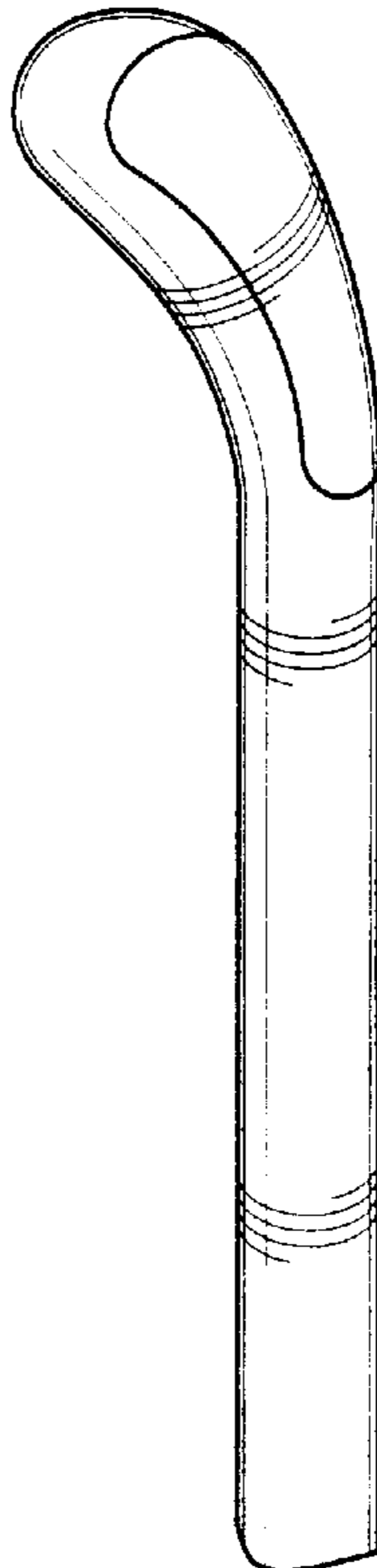
FIG. 4 is a front elevational view thereof;

FIG. 5 is a rear elevational view thereof; and,

FIG. 6 is a top plan view thereof.

The end of the handle is shown broken away to indicate indeterminate length.

1 Claim, 1 Drawing Sheet



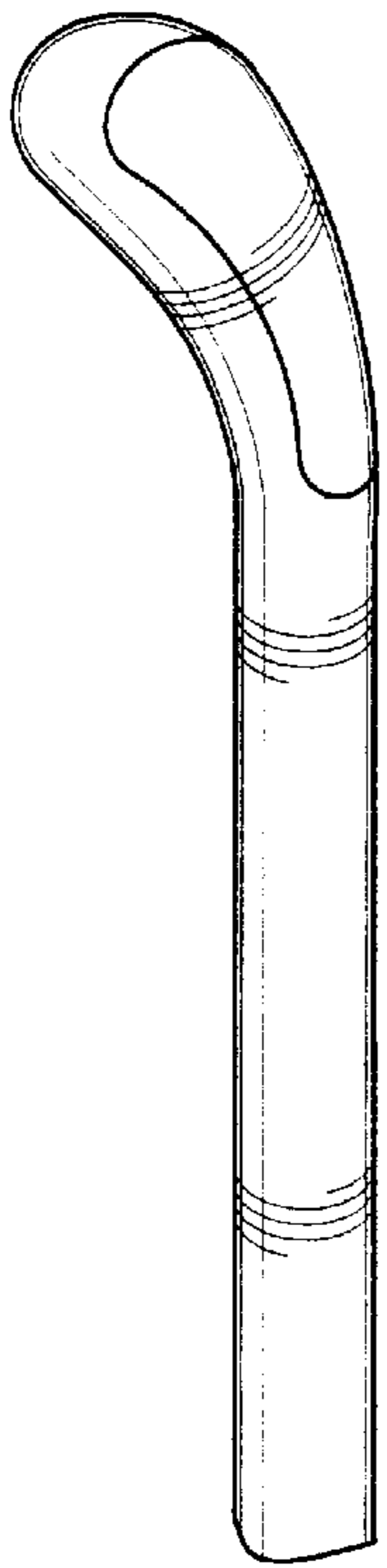


Fig-1

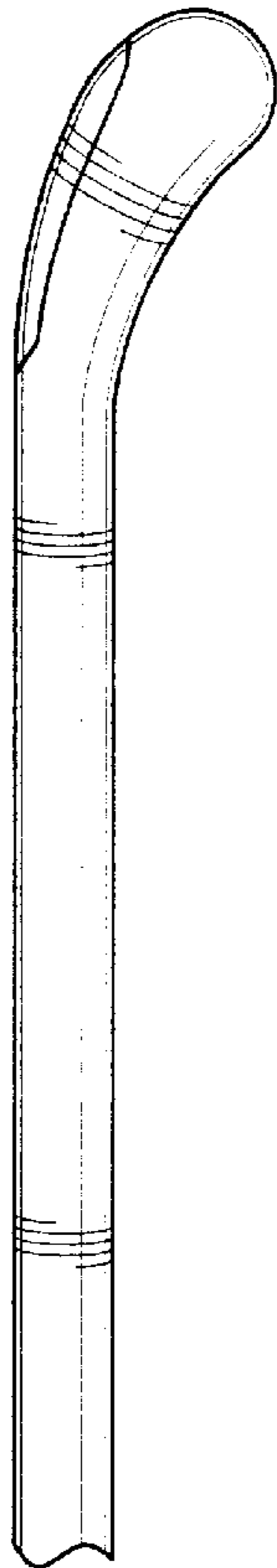


Fig-2

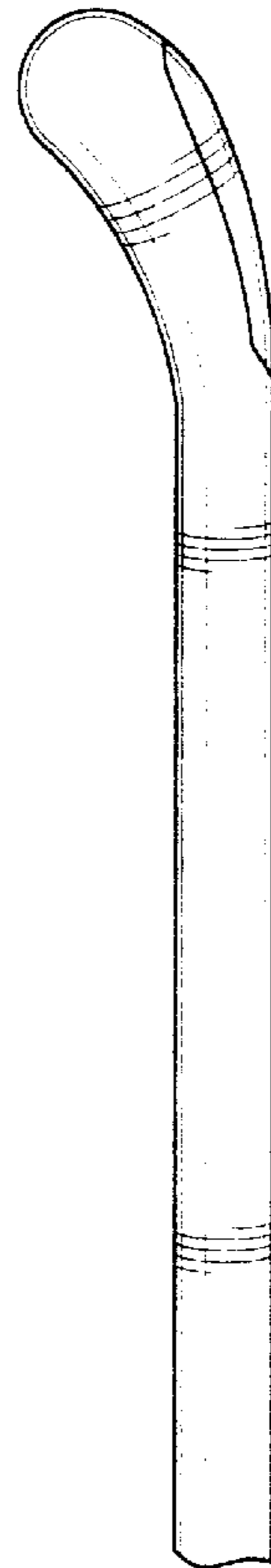


Fig-3

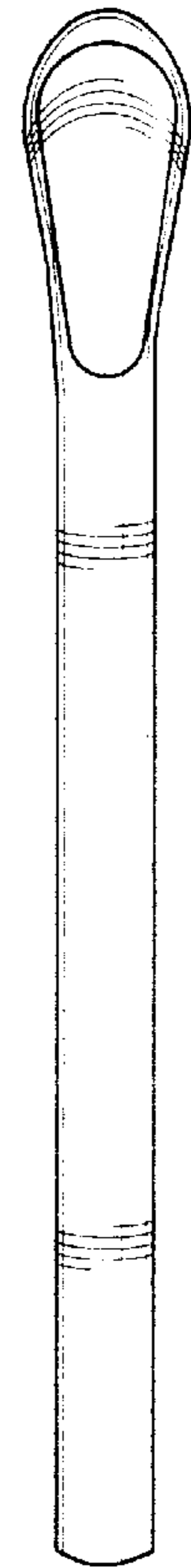


Fig-4

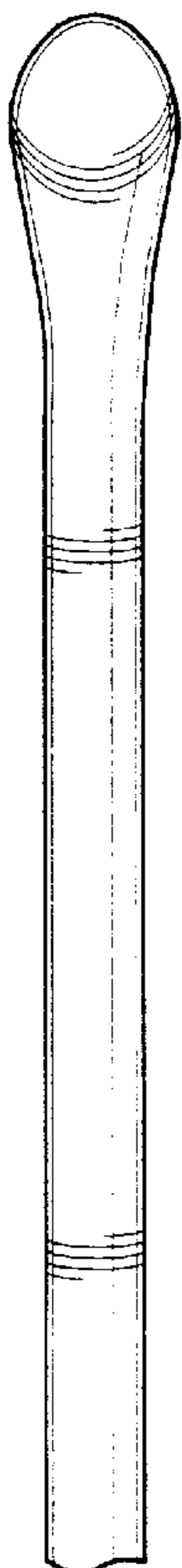


Fig-5

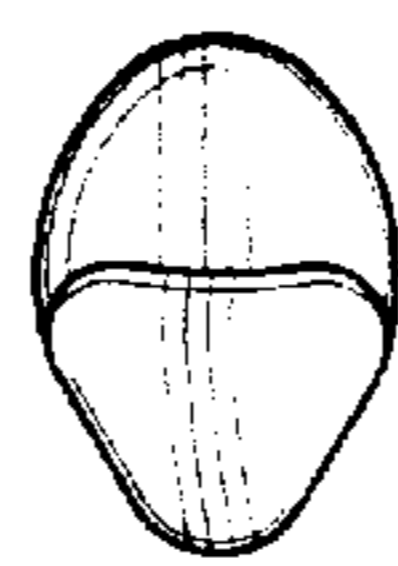


Fig-6