



US00D46660S

(12) **United States Design Patent**
Pierzina

(10) **Patent No.:** **US D466,660 S**

(45) **Date of Patent:** **** Dec. 3, 2002**

(54) **ANTI-SPLATTER GUN CLEANING BOX**

5,758,933 A * 6/1998 Clendening 206/317

(76) Inventor: **Ronald R. Pierzina**, 19 E. Main St.,
Belgrade, MT (US) 59714

* cited by examiner

(**) Term: **14 Years**

Primary Examiner—Jennifer Rivard

(74) *Attorney, Agent, or Firm*—Richard C. Conover

(21) Appl. No.: **29/135,689**

(57) **CLAIM**

(22) Filed: **Jan. 17, 2001**

The ornamental design for an anti-splatter gun cleaning box,
substantially as shown.

(51) **LOC (7) Cl.** **08-09**

(52) **U.S. Cl.** **D32/35**

(58) **Field of Search** D32/35; 42/95;
15/257.01; 206/317

DESCRIPTION

(56) **References Cited**

U.S. PATENT DOCUMENTS

3,552,610 A * 1/1971 Coleman et al. D3/224

4,716,673 A * 1/1988 Williams et al. 42/95

5,337,505 A * 8/1994 Brown et al. 42/95

FIG. 1 is a front elevational view of an anti-splatter gun
cleaning box showing my new design;

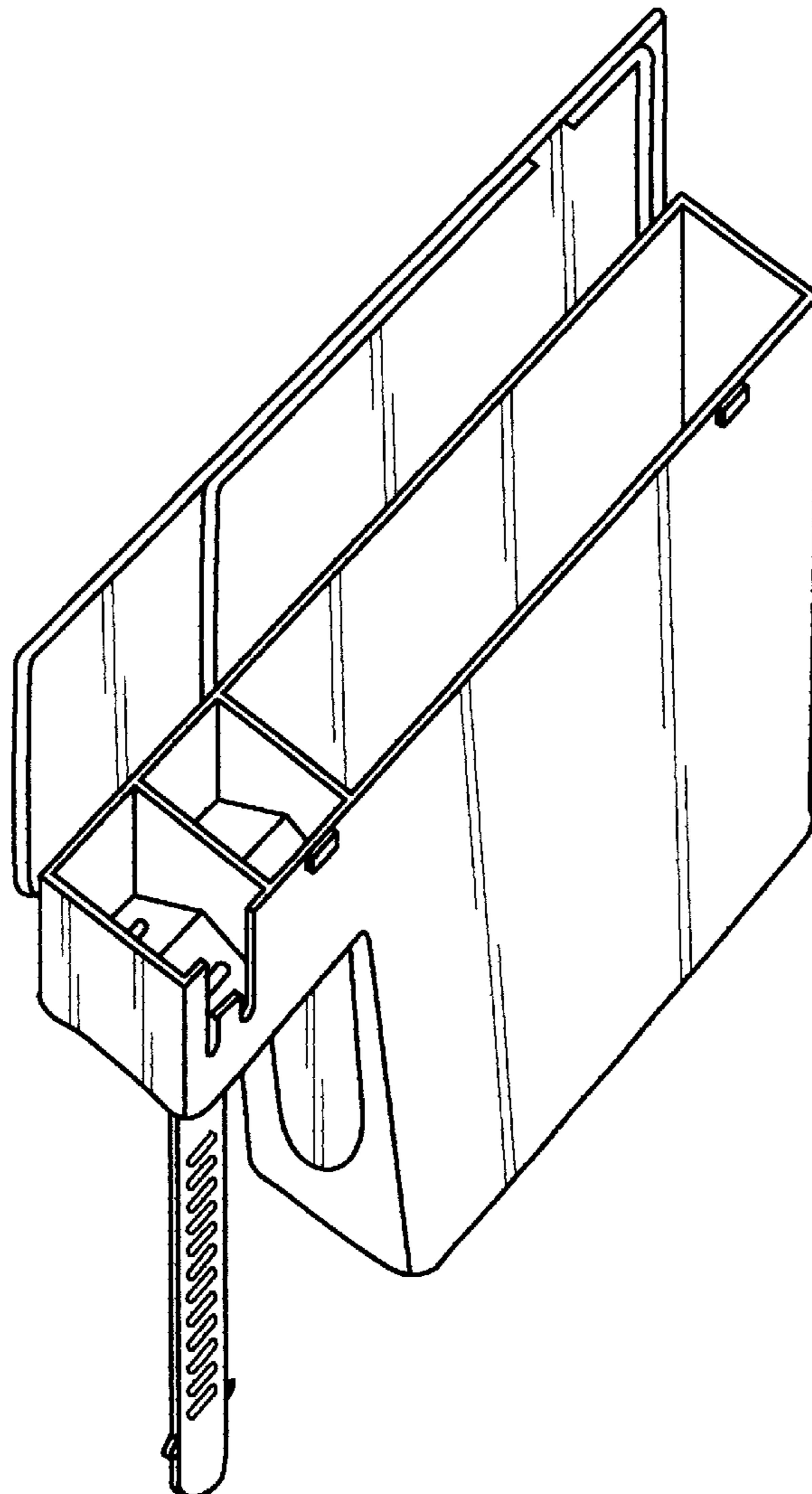
FIG. 2 is a top plan view thereof;

FIG. 3 is a left side elevational view thereof;

FIG. 4 is a right side elevational view thereof; and,

FIG. 5 is a perspective view thereof.

1 Claim, 2 Drawing Sheets



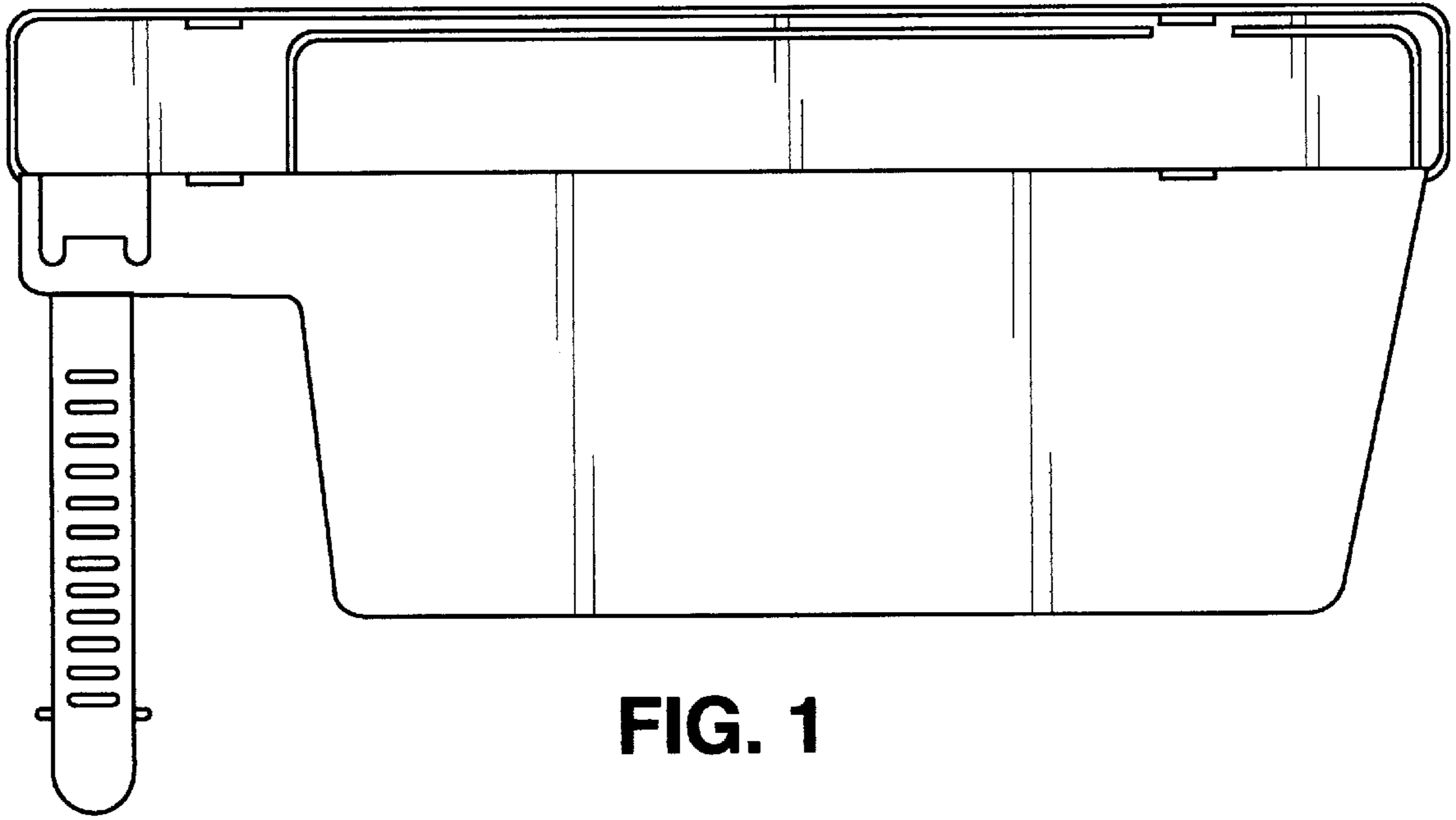


FIG. 1

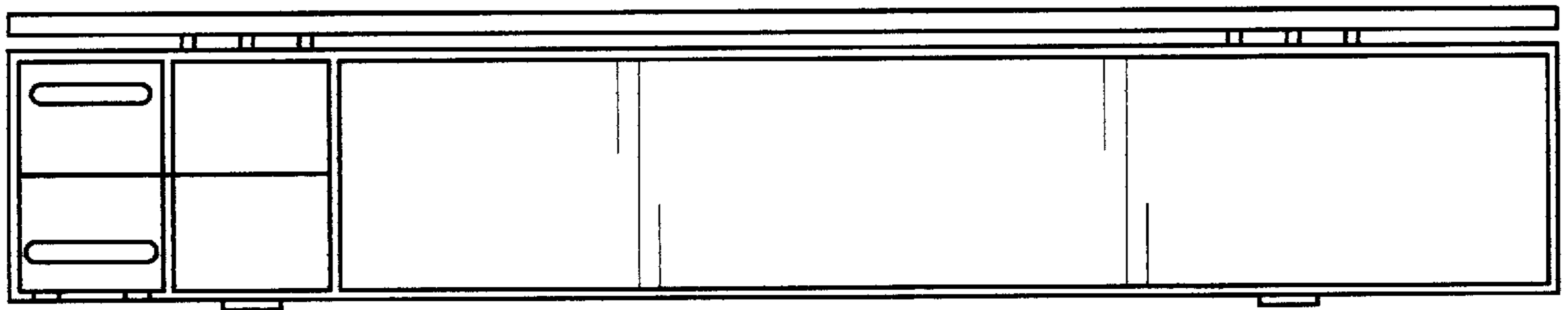


FIG. 2

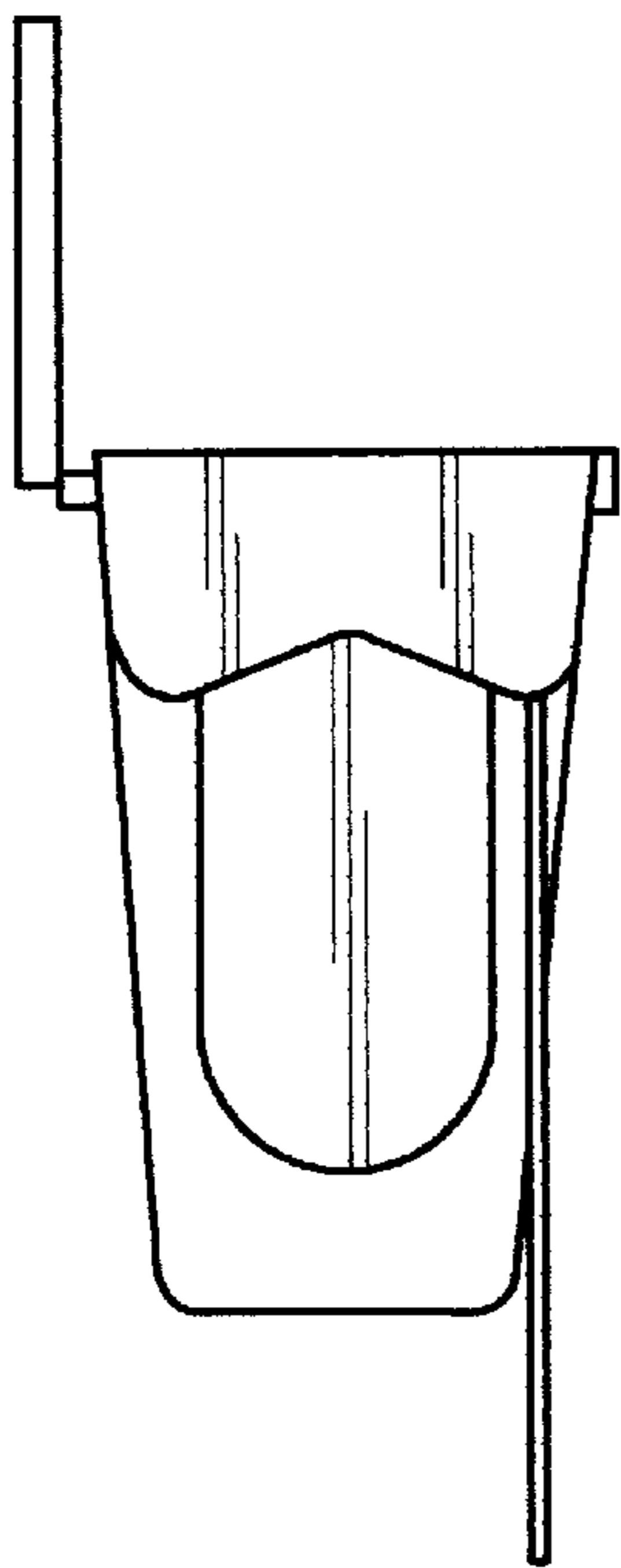


FIG. 3

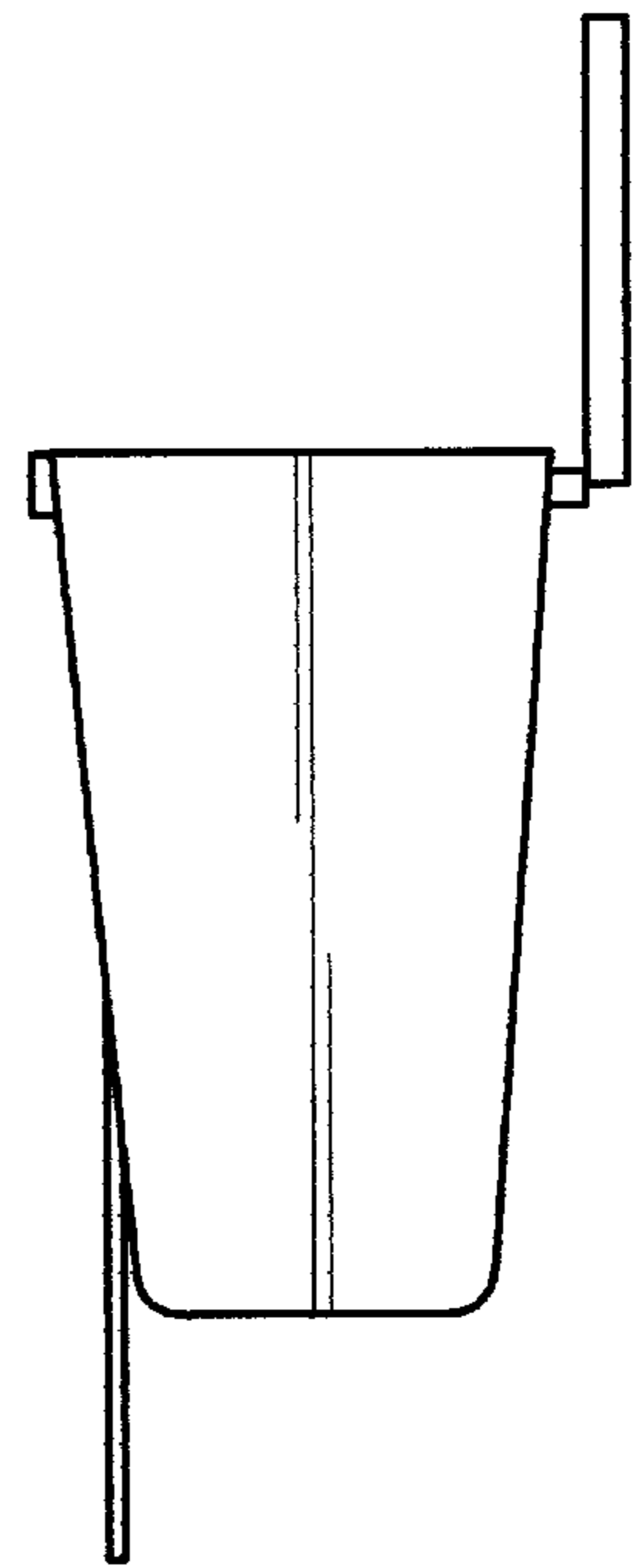


FIG. 4

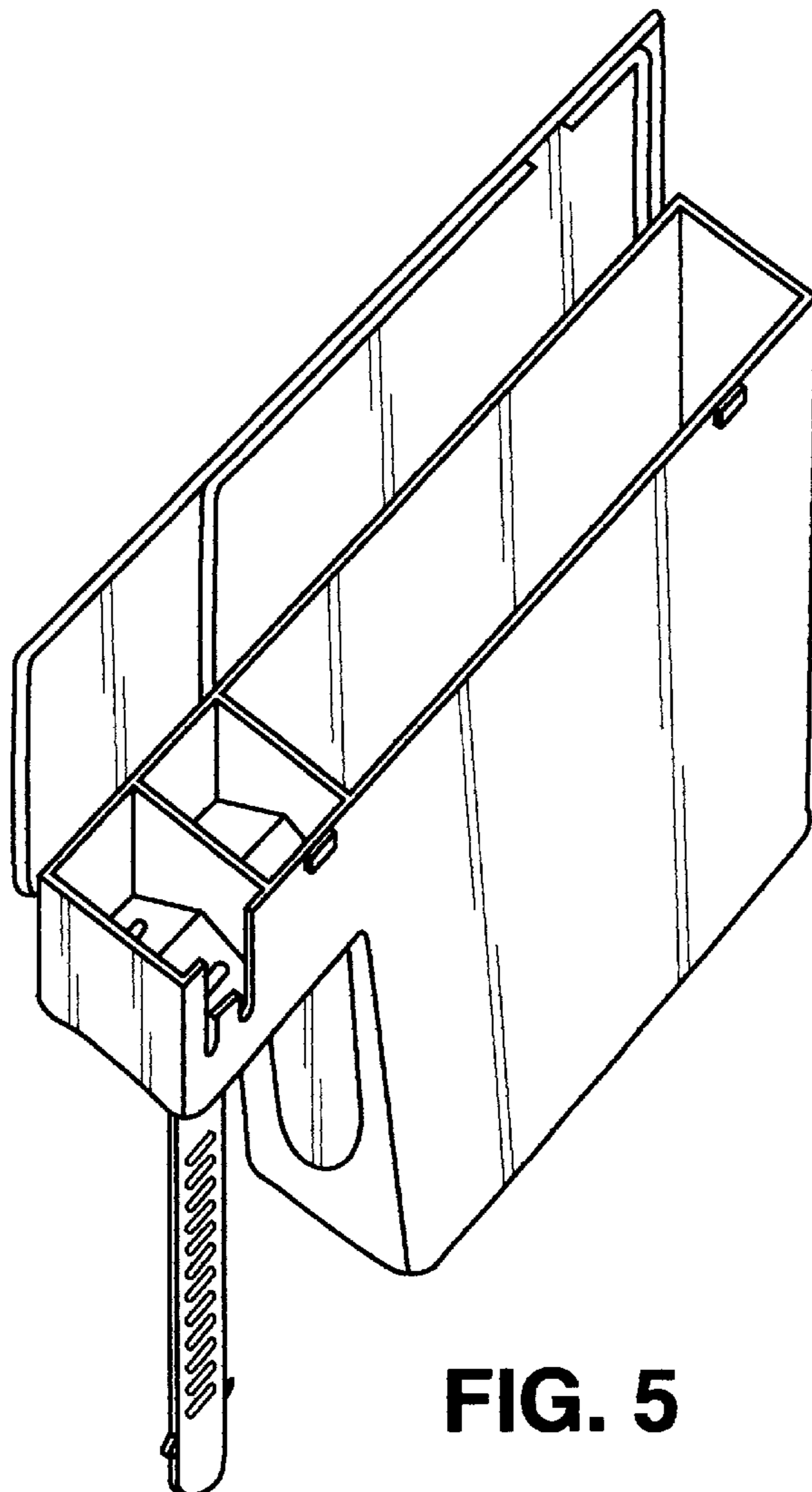


FIG. 5