



US00D466655S

(12) **United States Design Patent**
Zelinger

(10) **Patent No.:** **US D466,655 S**

(45) **Date of Patent:** **** Dec. 3, 2002**

(54) **TWO PART PET BOWL**

(75) Inventor: **Alan Zelinger**, Monsey, NY (US)

(73) Assignee: **Ethical Products, Inc.**, Newark, NJ (US)

(**) Term: **14 Years**

(21) Appl. No.: **29/133,373**

(22) Filed: **Nov. 29, 2000**

(51) **LOC (7) Cl.** **30-03**

(52) **U.S. Cl.** **D30/129**

(58) **Field of Search** D30/121-133;
119/61, 51.05, 51.12, 51.13, 51.5; D7/553,
554, 545, 543, 584, 602, 612, 613

(56) **References Cited**

U.S. PATENT DOCUMENTS

D296,020 S	*	5/1988	McCarroll	D30/130
D313,486 S	*	1/1991	Conner	D30/129
5,577,461 A	*	11/1996	Sebastian	119/51.5
5,647,299 A	*	7/1997	Pearson-Falcon	119/61
6,112,698 A	*	9/2000	Zelinger	119/61

* cited by examiner

Primary Examiner—Pamela Burgess

(74) *Attorney, Agent, or Firm*—Katten Muchin Zavis
Rosenman

(57) **CLAIM**

The ornamental design for a two part pet bowl, as shown and described.

DESCRIPTION

FIG. 1 is an exploded perspective view of a two part pet bowl showing my new design;

FIG. 2 is a perspective view of a two part pet bowl showing my new design;

FIG. 3 is a side elevation view of FIG. 2;

FIG. 4 is a top view of FIG. 2;

FIG. 5 is a bottom view of FIG. 2;

FIG. 6 is an exploded perspective view of a second embodiment of a two part pet bowl showing my new design;

FIG. 7 is a perspective view of a second embodiment of a two part pet bowl showing my new design;

FIG. 8 is a side elevation view of FIG. 7;

FIG. 9 is a top view of FIG. 7; and,

FIG. 10 is a bottom view of FIG. 7.

1 Claim, 8 Drawing Sheets

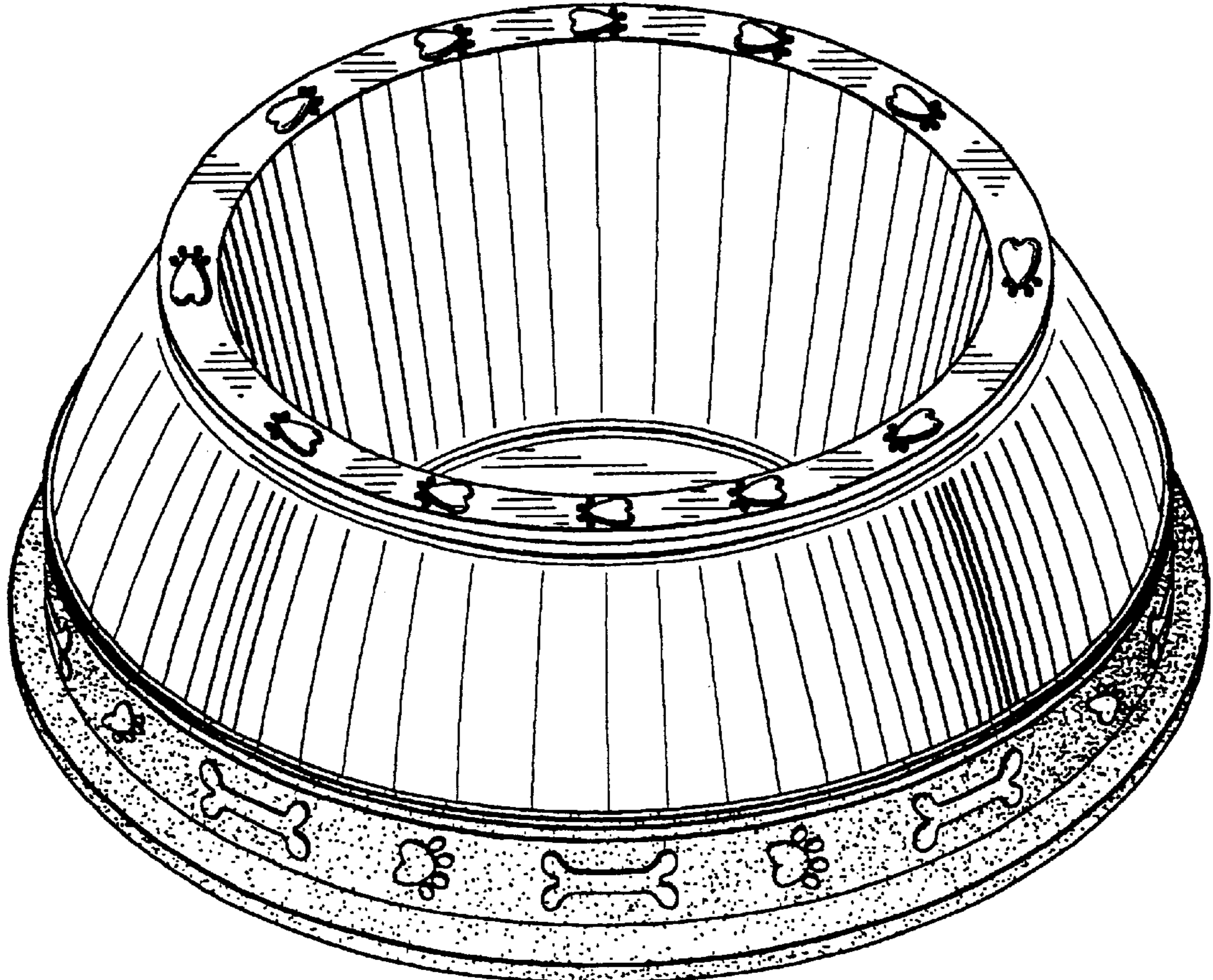


Fig. 1

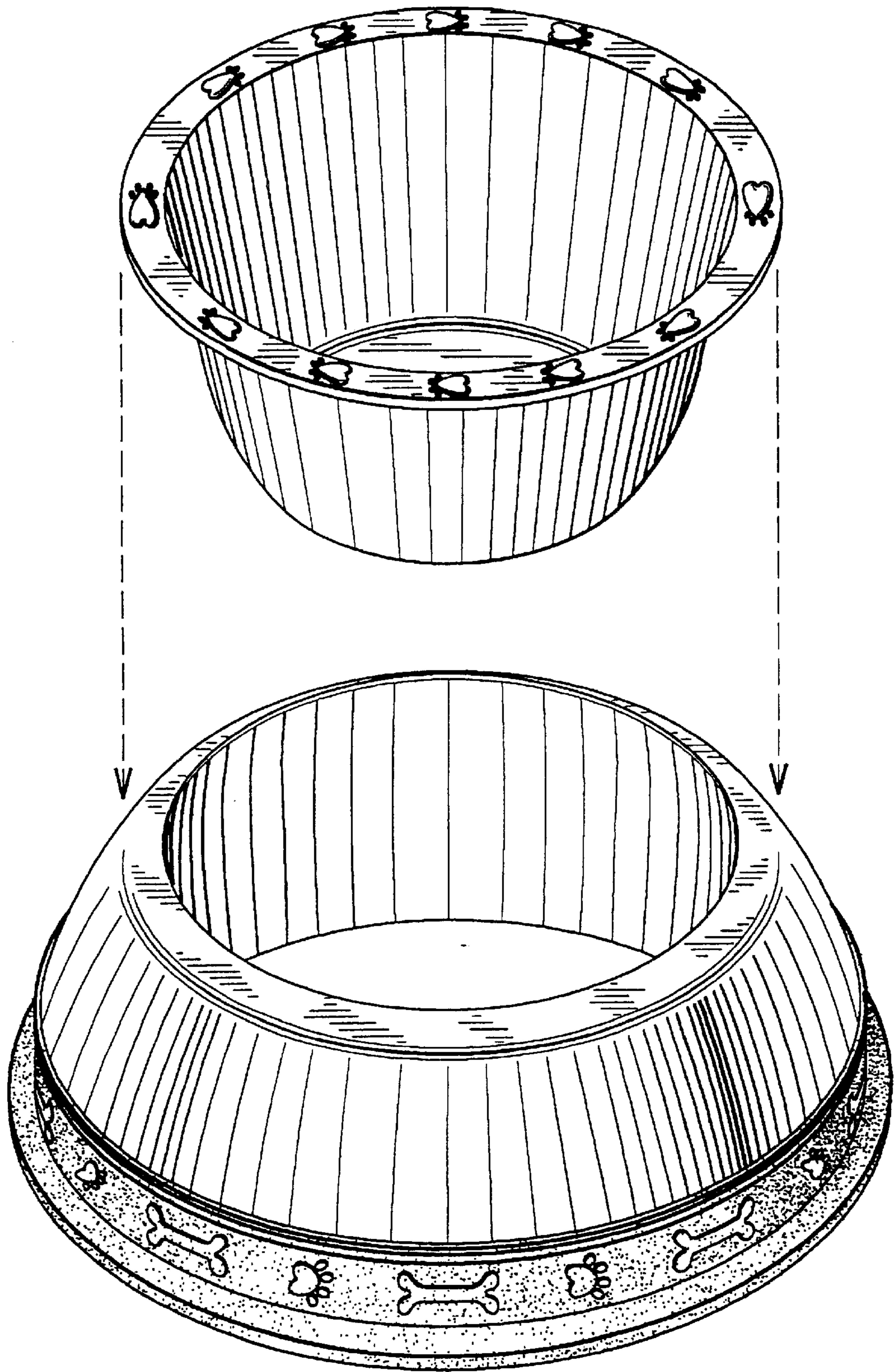


Fig. 2

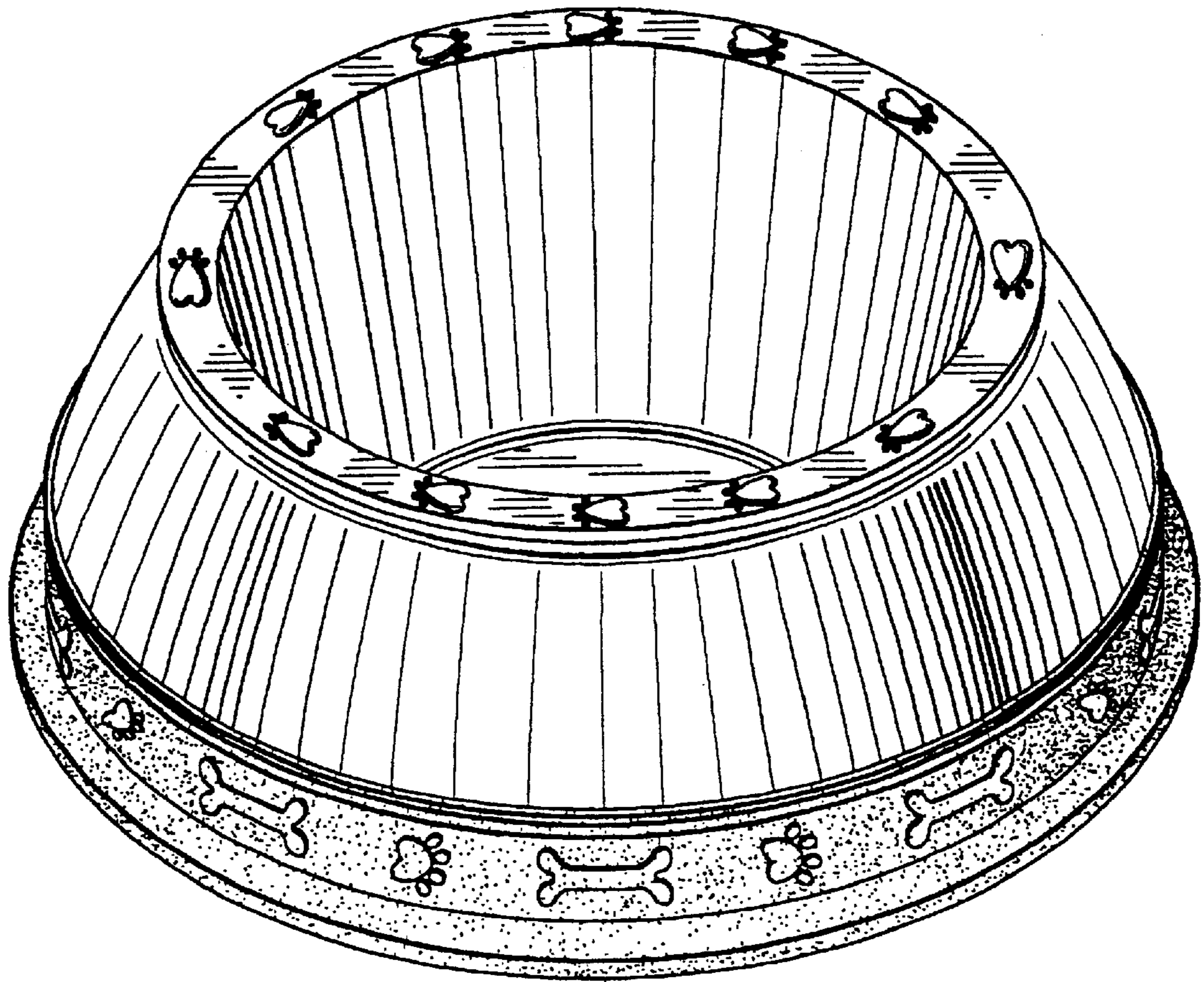
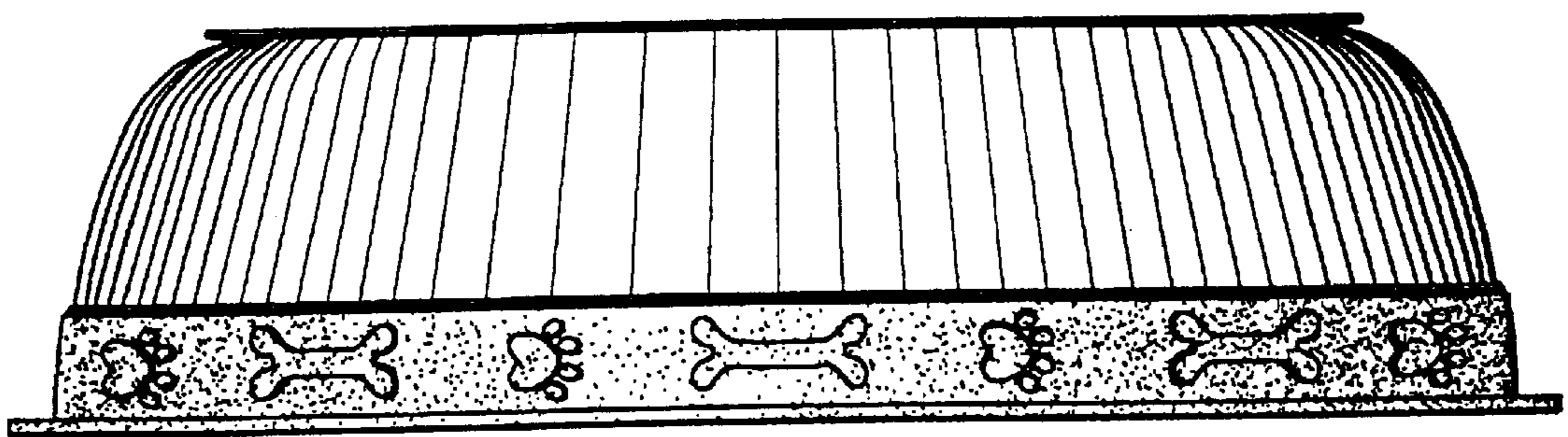


Fig. 3



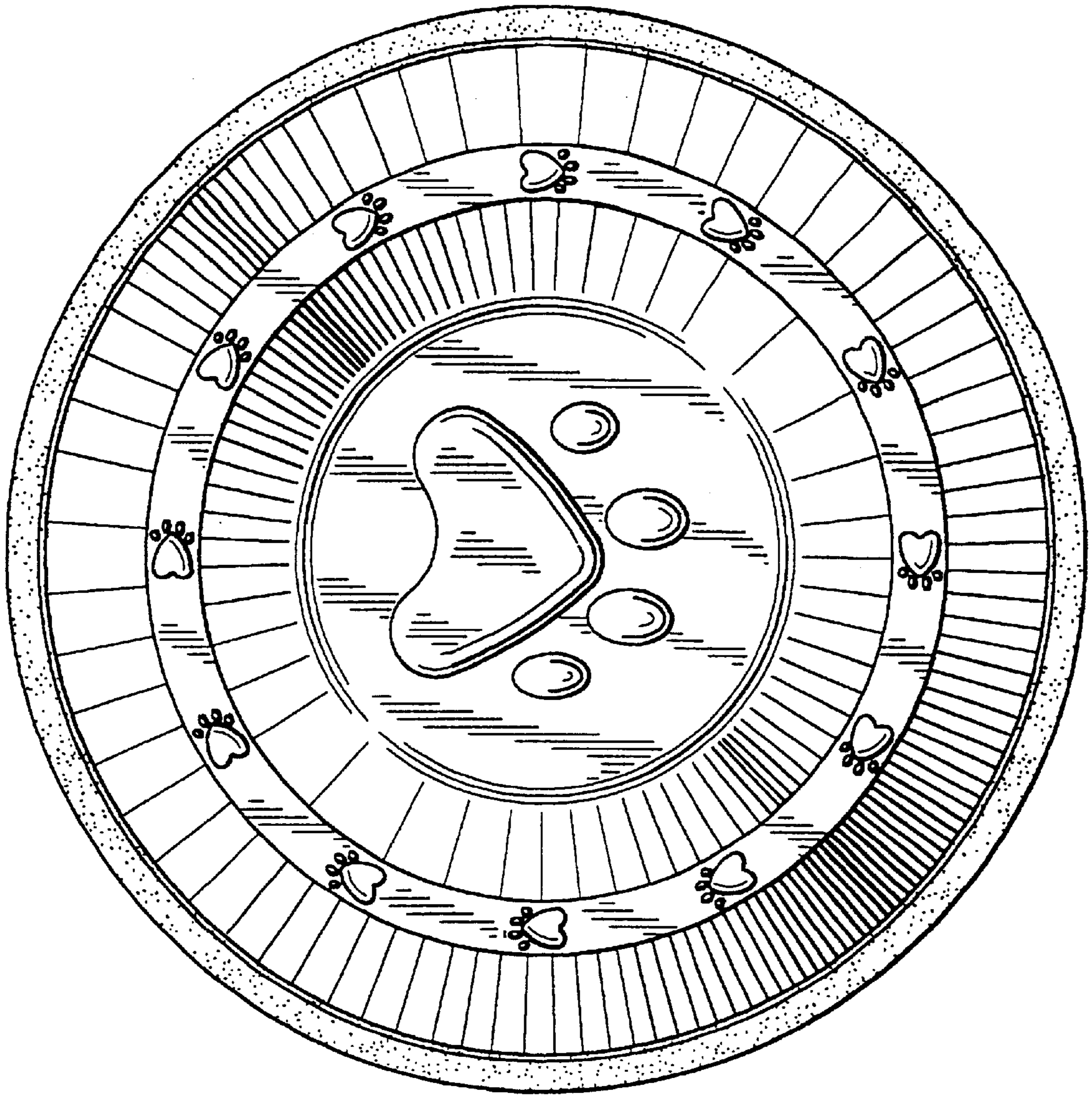


Fig. 4

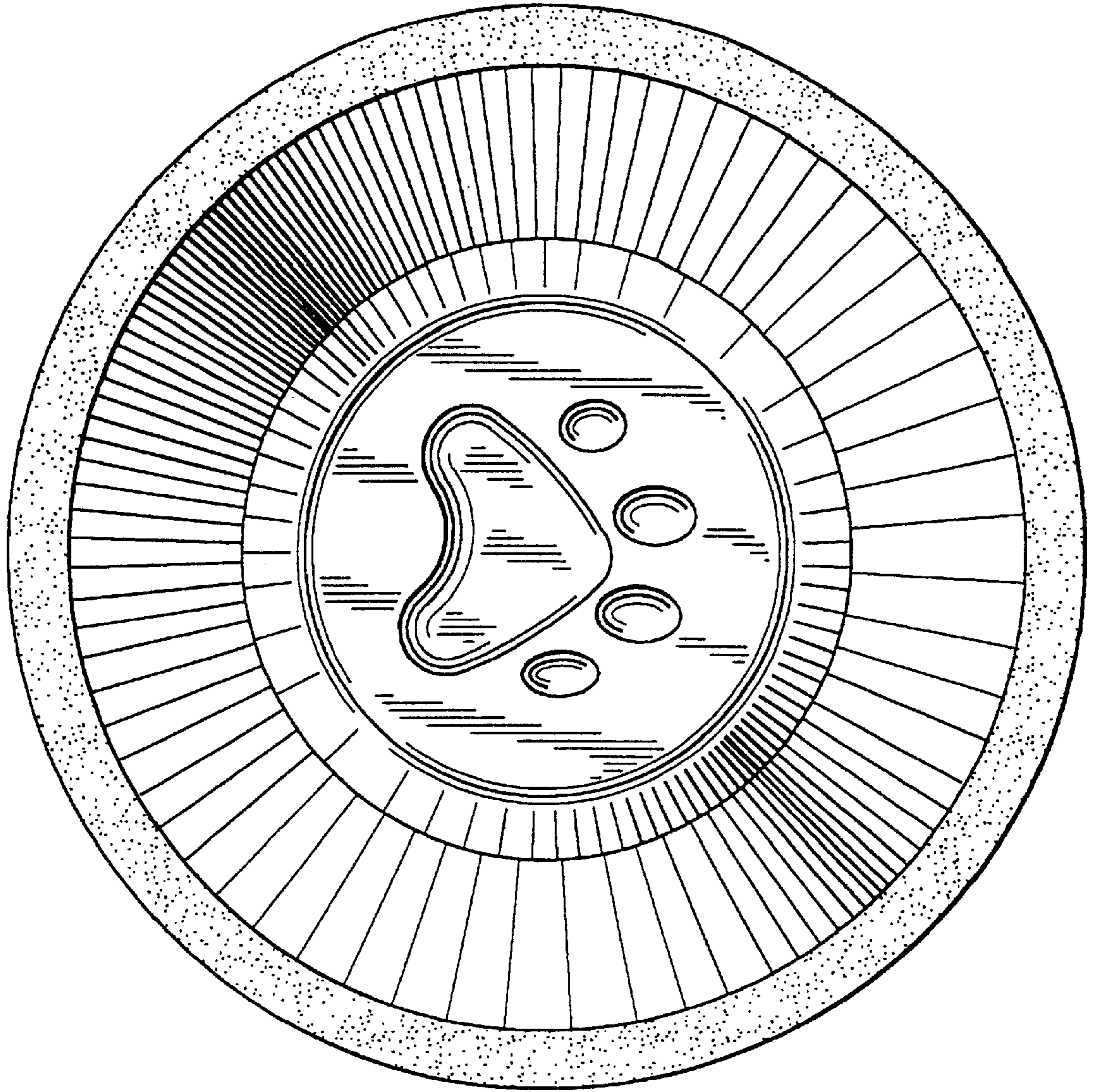


Fig. 5

Fig. 6

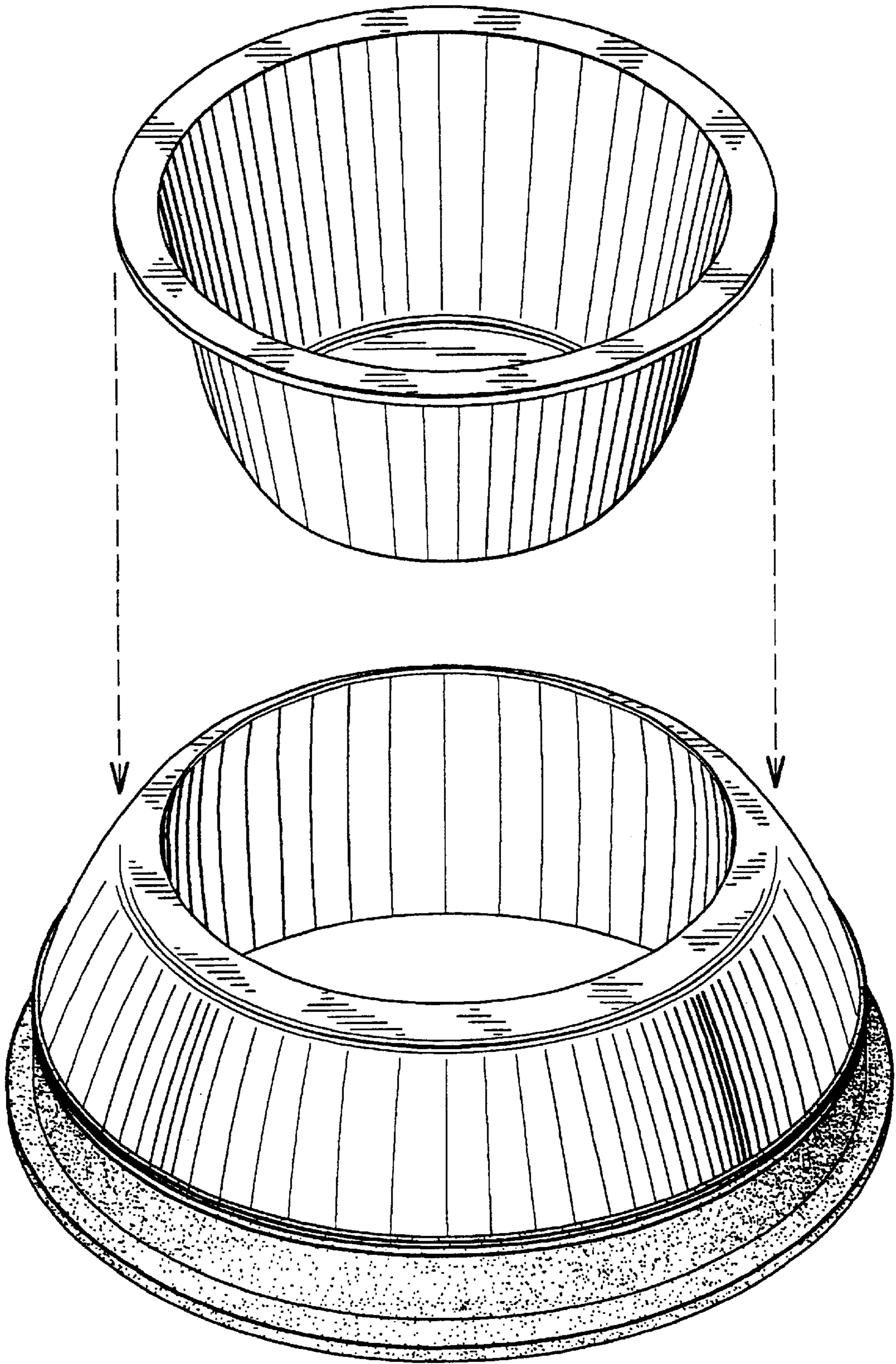


Fig. 7

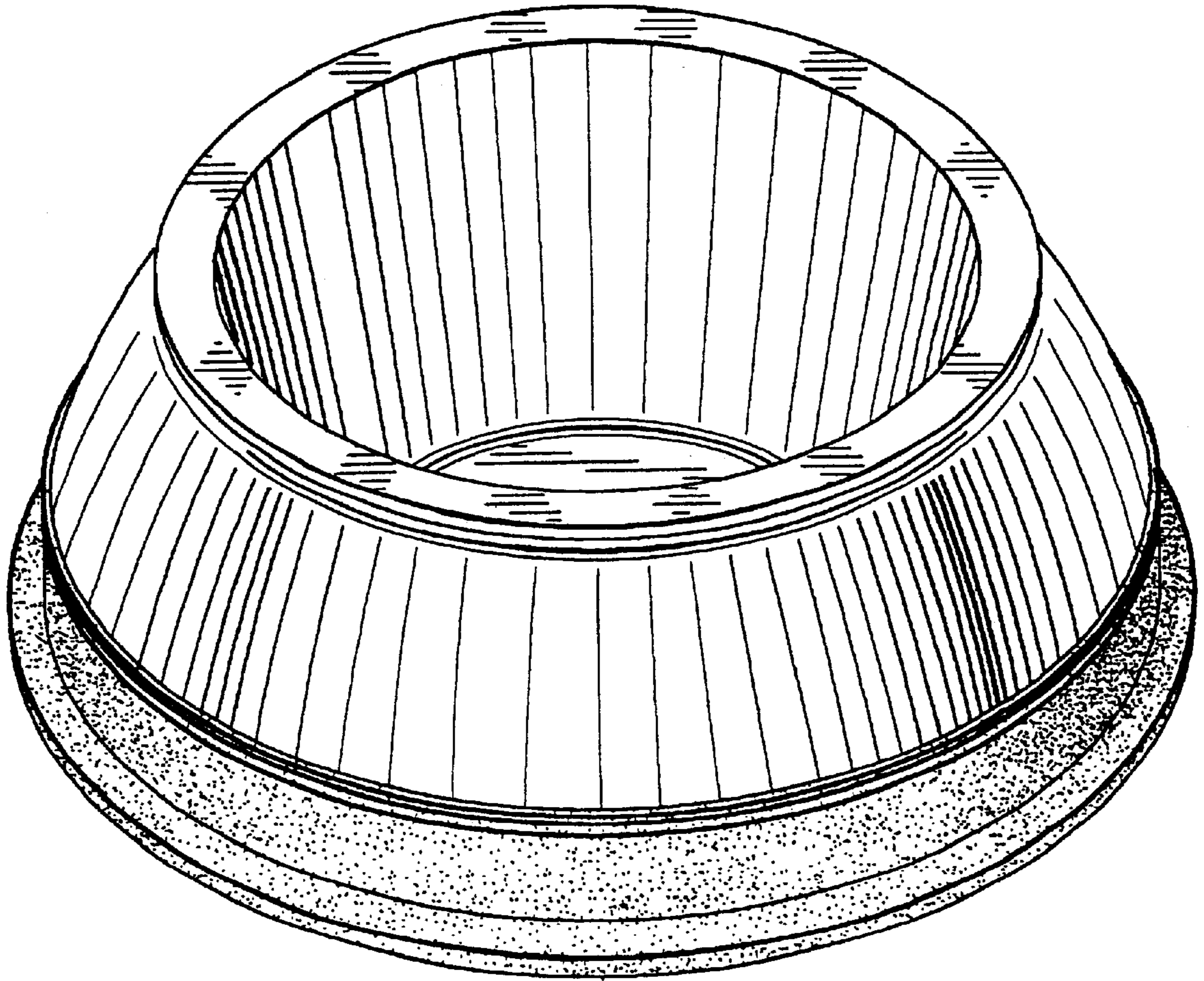
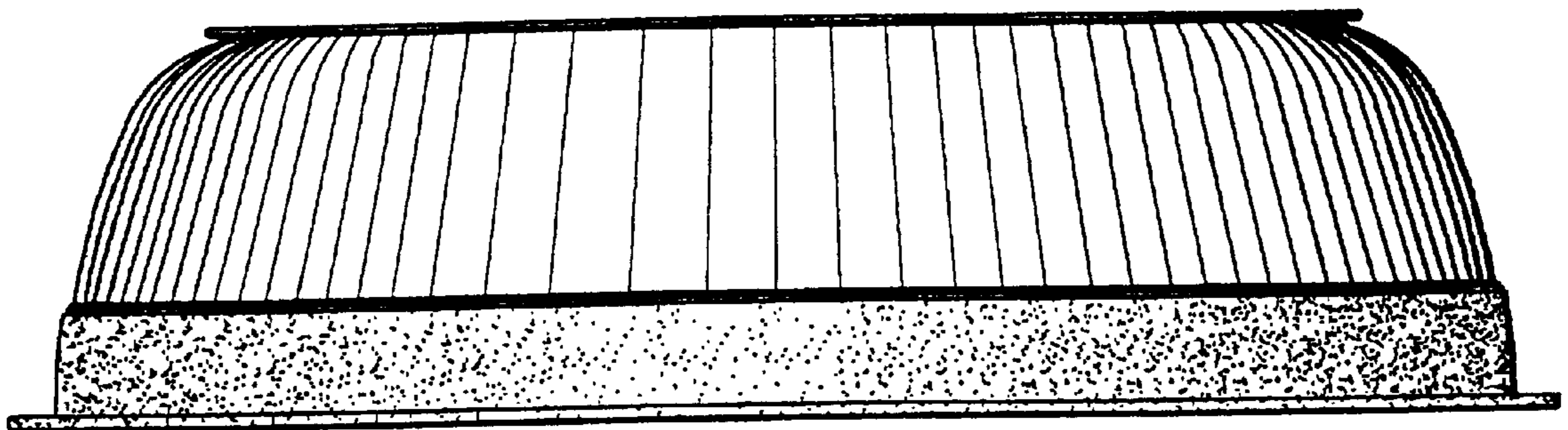


Fig. 8



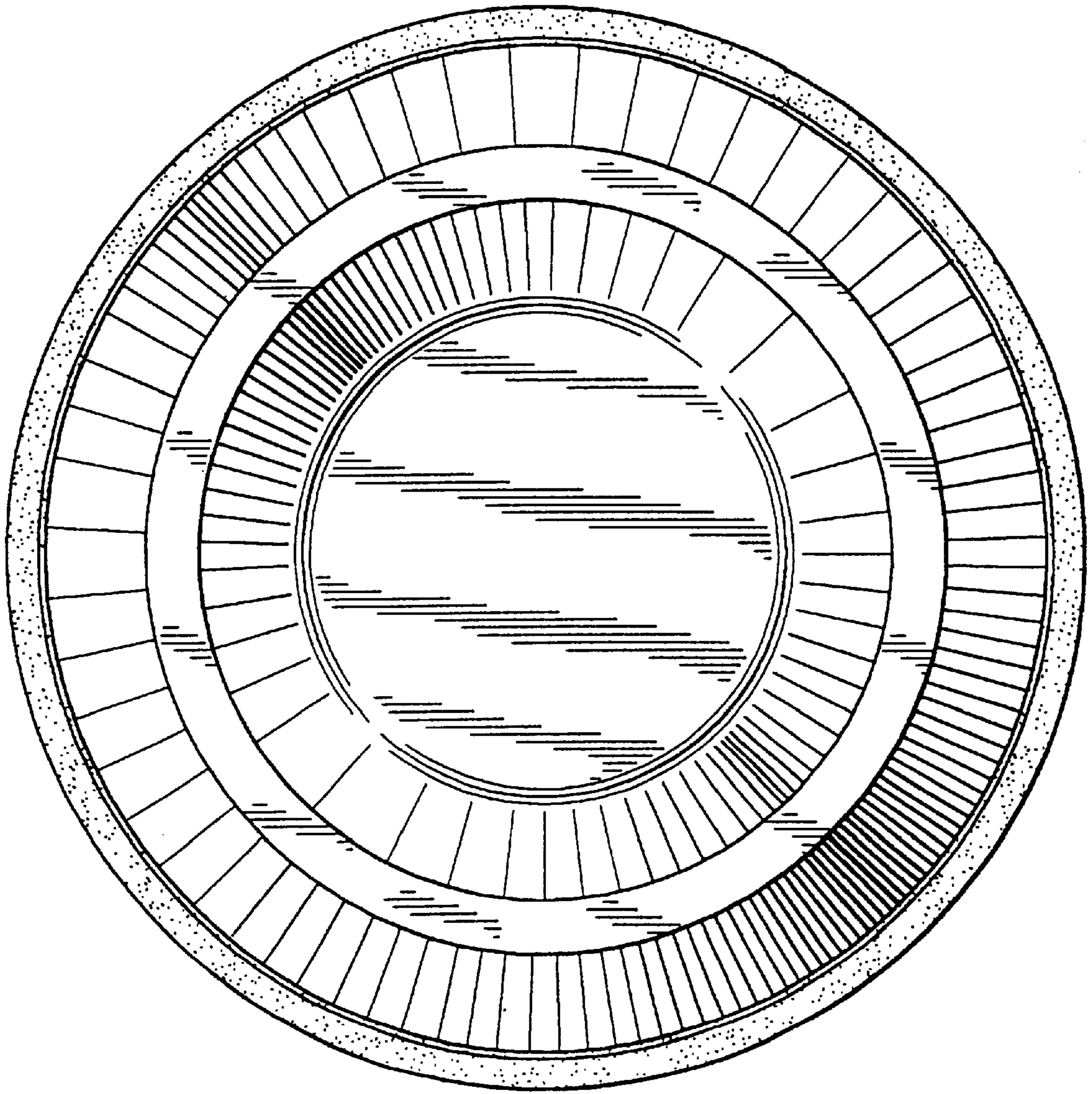


Fig. 9

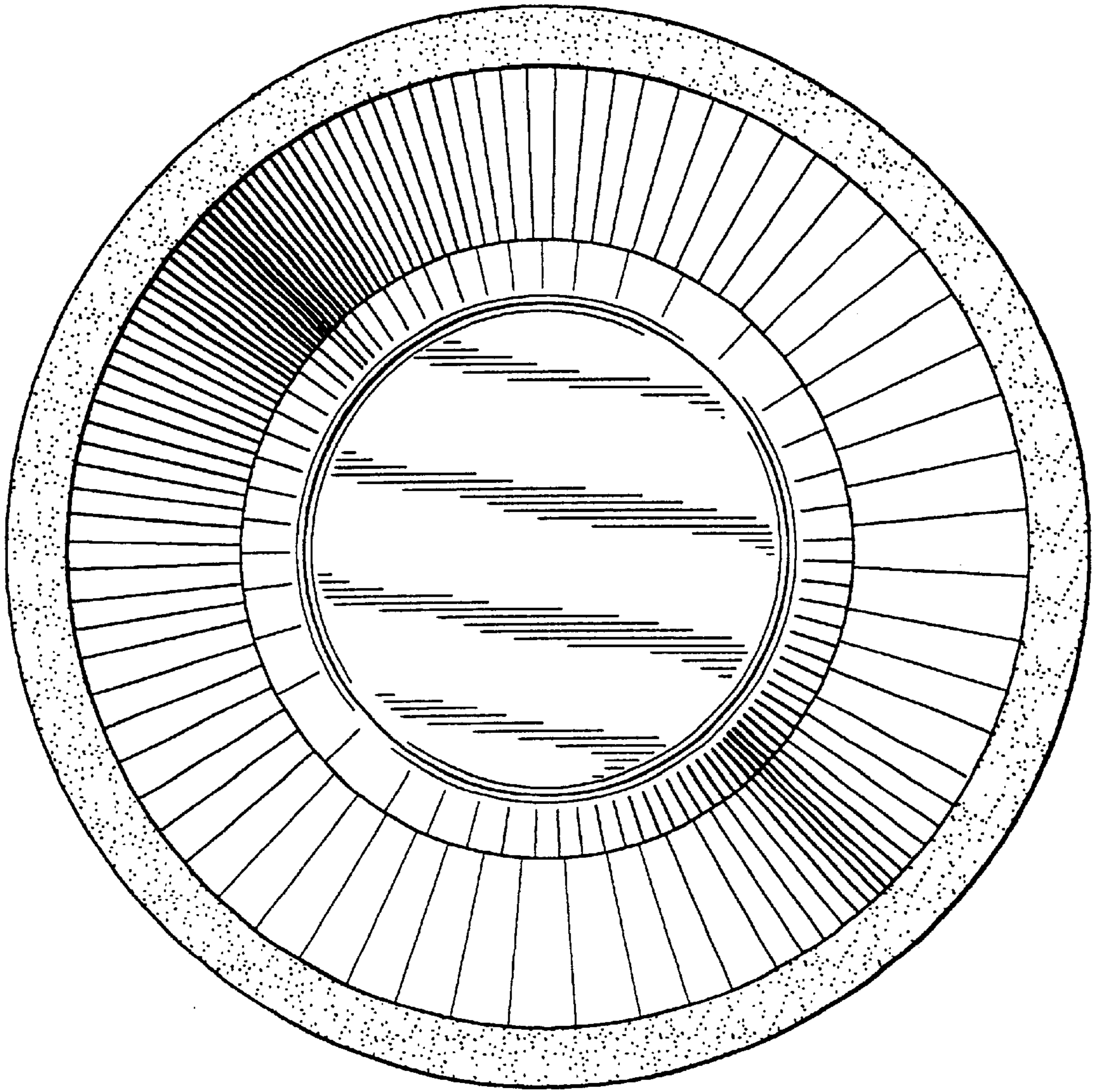


Fig. 10