



US00D466652S

(12) **United States Design Patent**
Thurman

(10) **Patent No.:** **US D466,652 S**

(45) **Date of Patent:** **** Dec. 3, 2002**

(54) **DUCT**

(76) **Inventor:** **William E. Thurman**, 1800 E. Pointe Dr., Columbia, MO (US) 65201-3508

(**) **Term:** **14 Years**

(21) **Appl. No.:** **29/140,585**

(22) **Filed:** **Apr. 20, 2001**

(51) **LOC (7) Cl.** **23-04**

(52) **U.S. Cl.** **D29/393**

(58) **Field of Search** D23/386, 387,
D23/393-394, 421, 499, 262, 266; 52/95,
302.3; 454/237, 250, 275-276, 317

(56) **References Cited**

U.S. PATENT DOCUMENTS

D25,709 S	*	6/1896	Pratt	D23/262
1,565,918 A	*	12/1925	Fitzgerald	277/598
D234,462 S	*	3/1975	Ahlrot	D23/262
D360,018 S	*	7/1995	Sonden et al.	D23/262
D360,019 S	*	7/1995	Sonden et al.	D23/262

D360,021 S	*	7/1995	Sonden et al.	D23/262
D383,195 S	*	9/1997	Sonden et al.	D23/262
D386,246 S	*	11/1997	Sonden et al.	D23/262

* cited by examiner

Primary Examiner—Louis S. Zarfaz
Assistant Examiner—Robert A. Delehanty

(57) **CLAIM**

The ornamental design for a duct, as shown and described.

DESCRIPTION

Cross Reference to Related Application: Ser. No. 29/129, 102 of Sep. 7, 2000, Art Unit 2912, with the same title, "Duct", by same applicant.

FIG. 1 is a top view of a duct showing my new ornamental design.

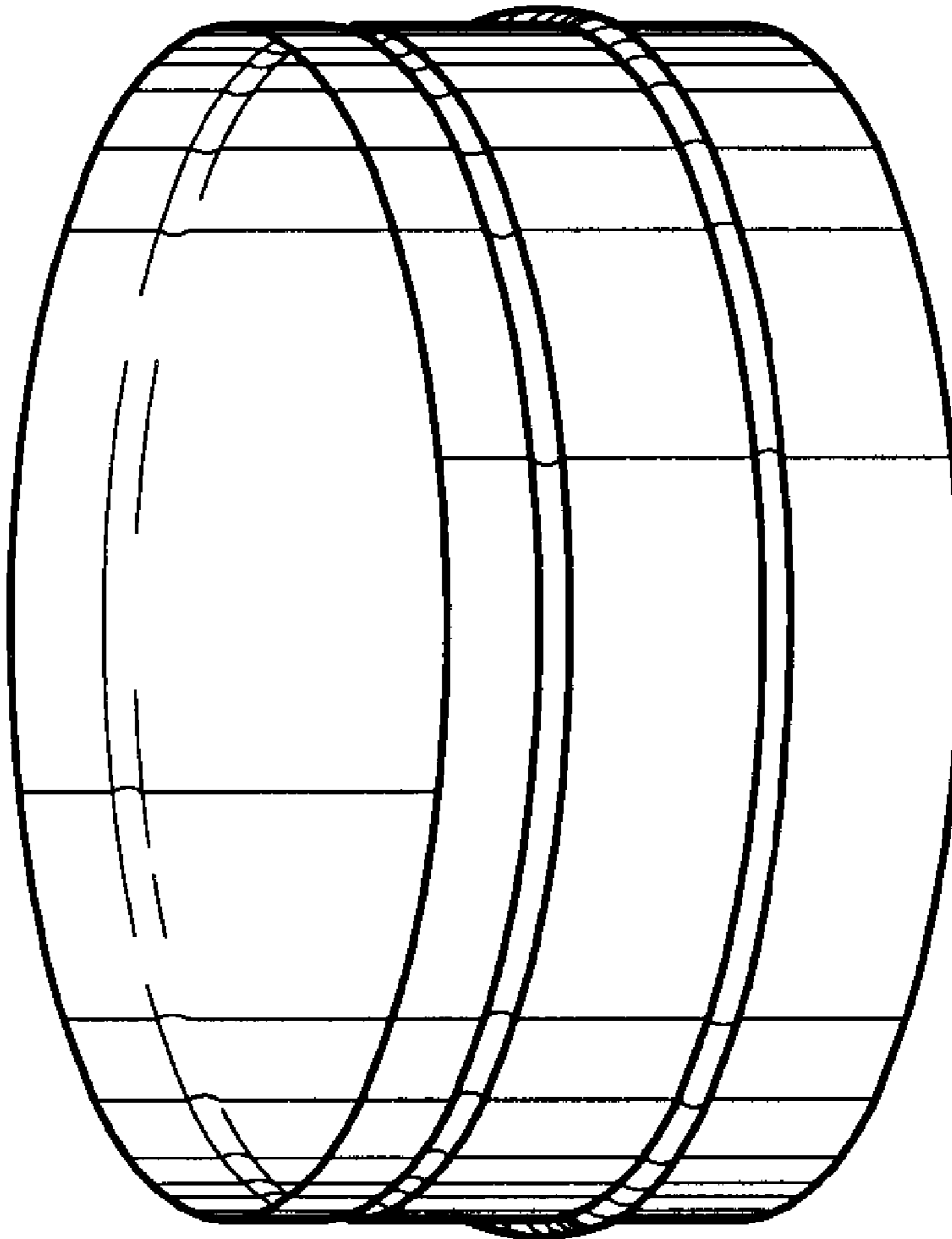
FIG. 2 is a side view thereof.

FIG. 3 is a perspective view thereof.

FIG. 4 is a bottom view thereof; and,

FIG. 5 is an enlarged cross sectional view taken on line 5—5 of FIG. 2.

1 Claim, 2 Drawing Sheets



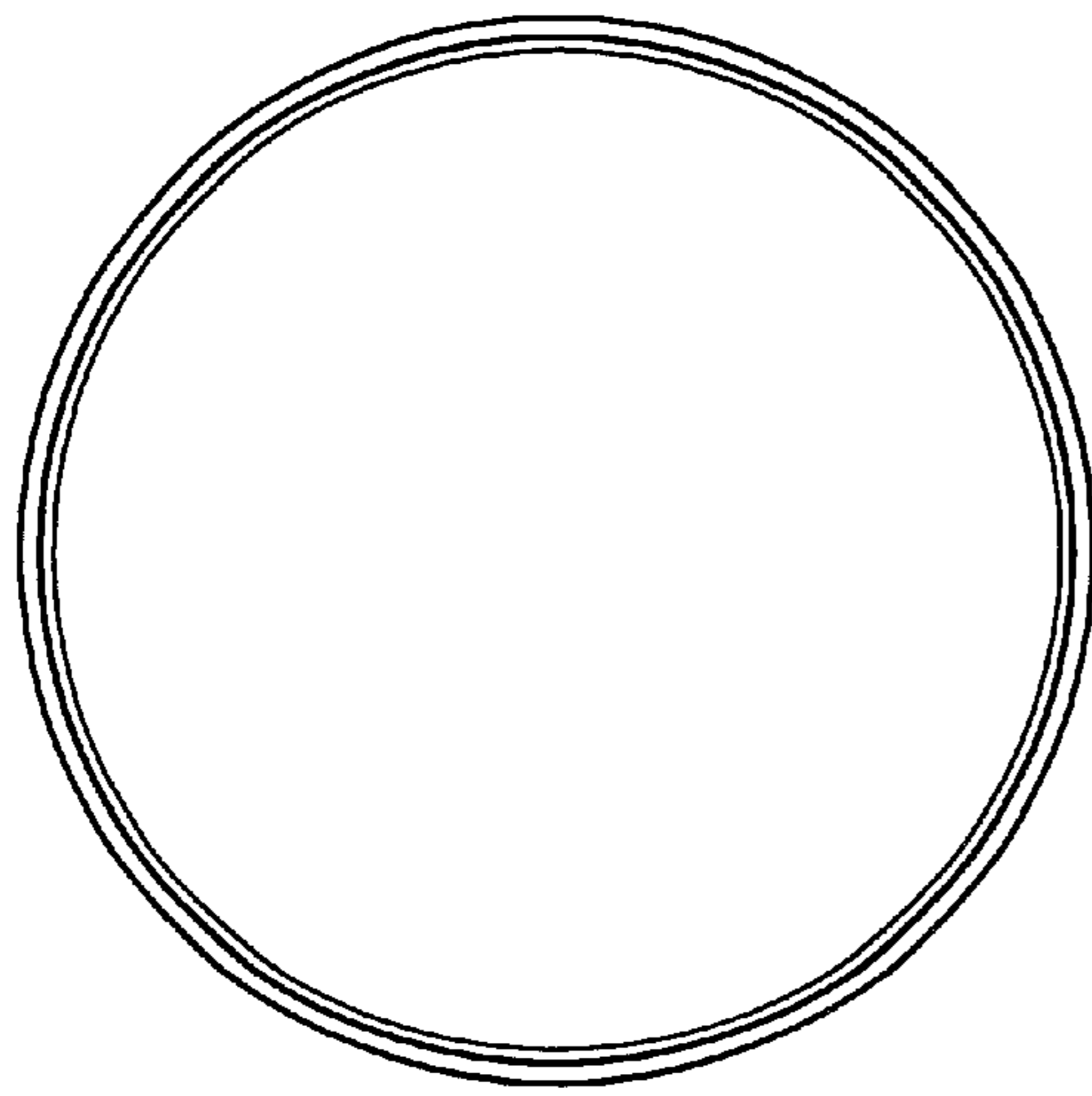


FIG. 1

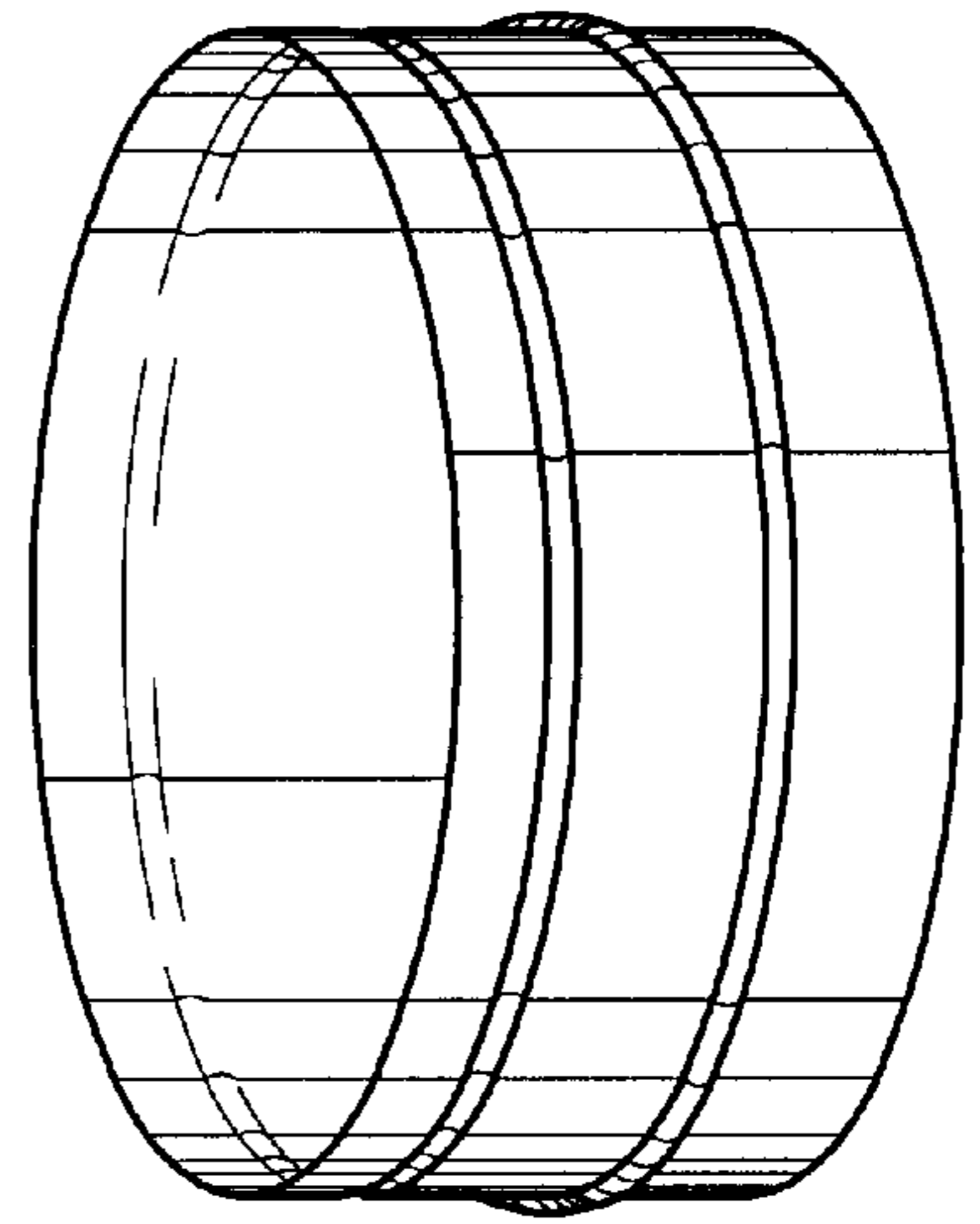


FIG. 3

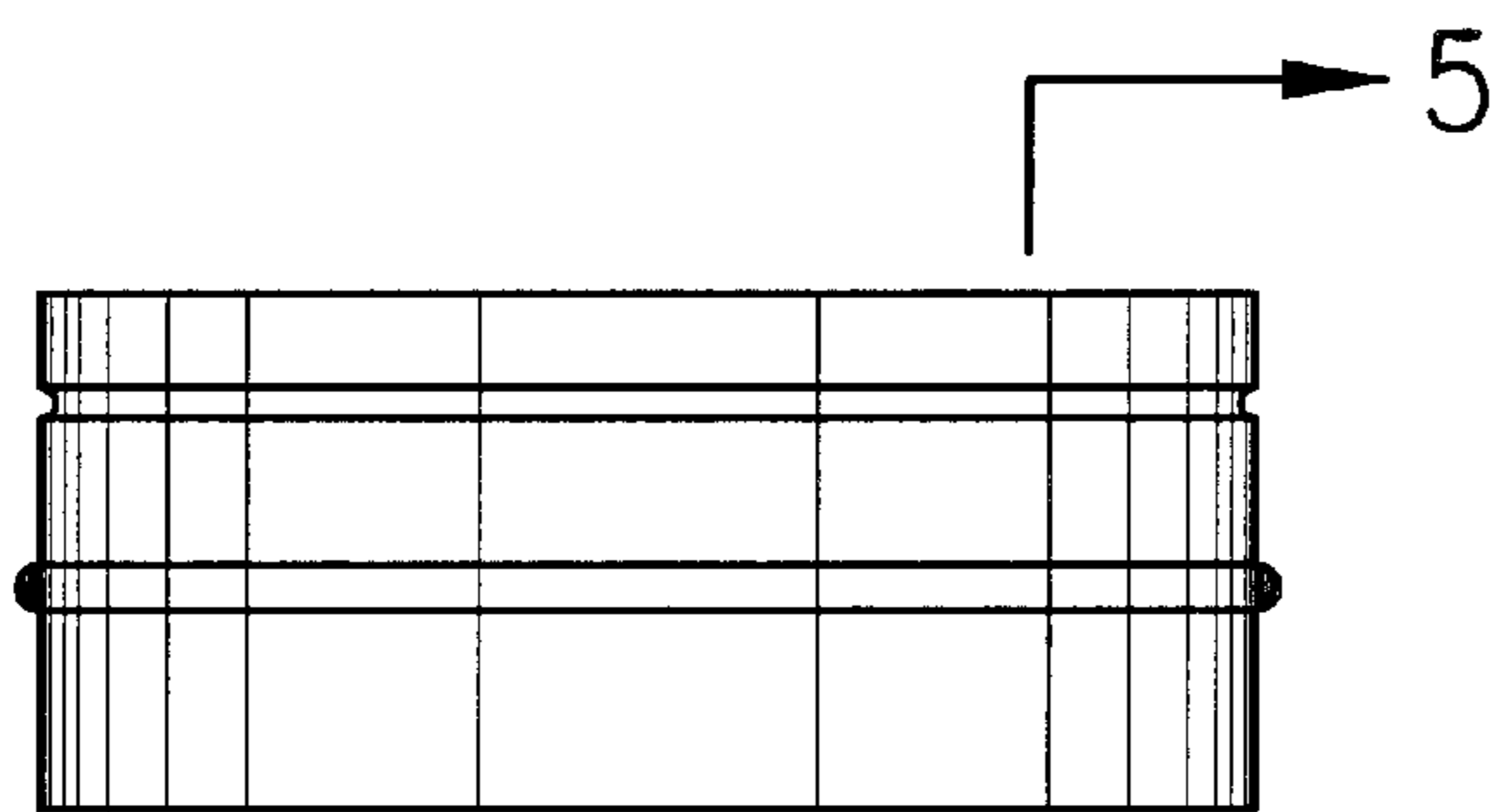


FIG. 2

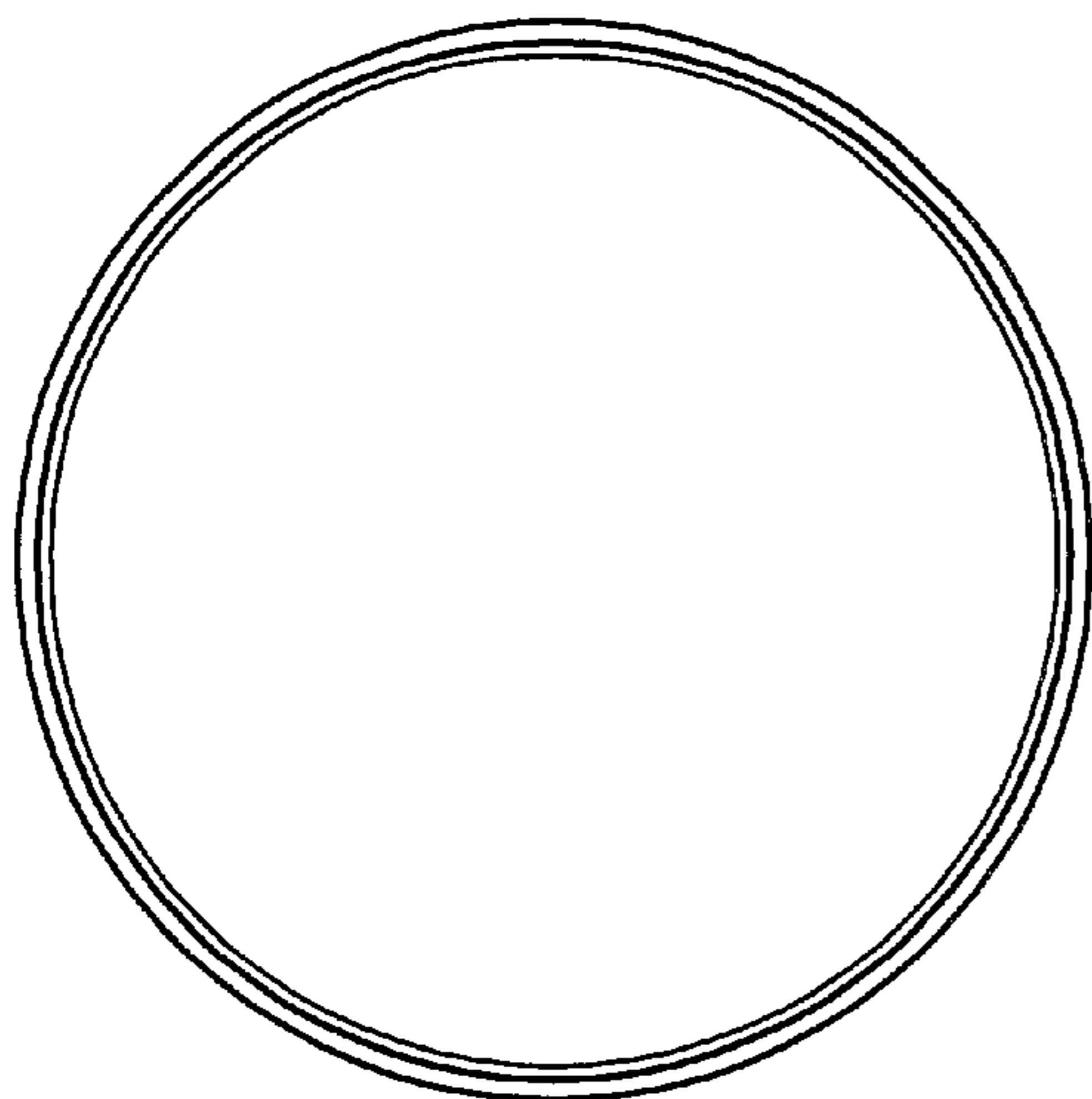
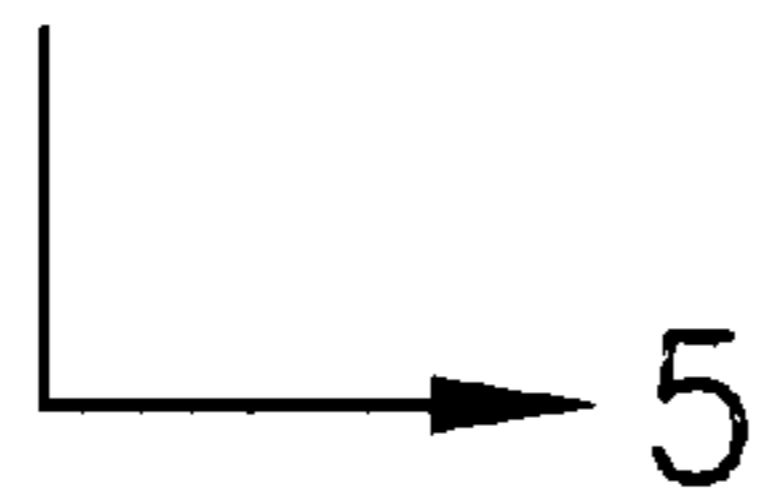


FIG. 4

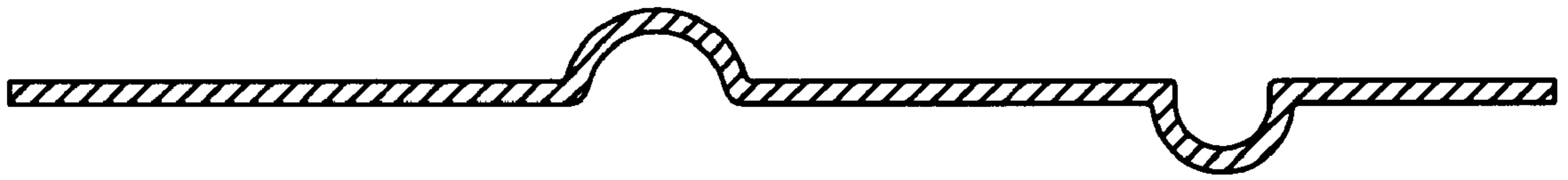


FIG. 5