



US00D466650S

(12) **United States Design Patent**  
**Muller et al.**

(10) **Patent No.:** **US D466,650 S**

(45) **Date of Patent:** **\*\* Dec. 3, 2002**

(54) **ELECTRIC HAIR CLIPPER**

D439,703 S \* 3/2001 Wagenknecht et al. .... D28/53  
D443,725 S \* 6/2001 Copland et al. .... D28/53

(75) Inventors: **Alexander Muller**, Cambridge, MA  
(US); **John Devlin**, Tewksbury, MA  
(US); **John Lapetina**, Newton, MA  
(US); **Troy Schubert**, Providence, RI  
(US)

**FOREIGN PATENT DOCUMENTS**

DE 3800966 A \* 7/1989 ..... B26B/19/20  
GB 2237990 A \* 5/1991 ..... A45D/26/00  
JP 7-204367 \* 8/1995 ..... B26B/019/14

(73) Assignee: **Sunbeam Products, Inc.**, Boca Raton,  
FL (US)

\* cited by examiner

(\*\*) Term: **14 Years**

*Primary Examiner*—Ted Shooman

*Assistant Examiner*—C. Tuttle

(74) *Attorney, Agent, or Firm*—Lawrence J. Shurupoff

(21) Appl. No.: **29/152,342**

(57) **CLAIM**

(22) Filed: **Dec. 14, 2001**

The ornamental design for an electric hair clipper, as shown and described.

(51) **LOC (7) Cl.** ..... **28-03**

(52) **U.S. Cl.** ..... **D28/53**

(58) **Field of Search** ..... D28/45, 49-54;  
30/30, 31, 34.05, 41, 41.5, 41.6, 41.9, 42,  
43, 43.1-43.9, 43.91, 43.92, 195-223

**DESCRIPTION**

(56) **References Cited**

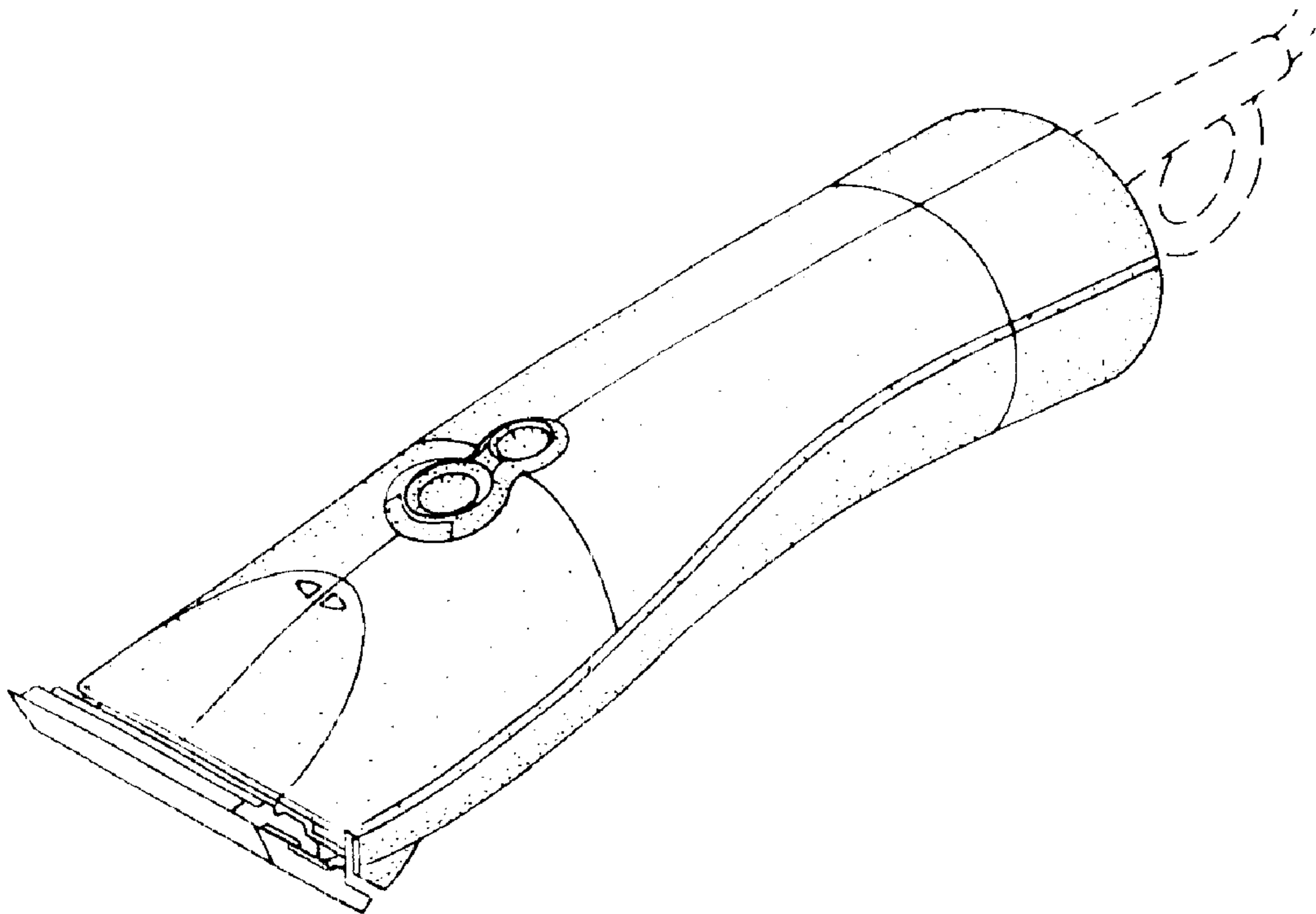
**U.S. PATENT DOCUMENTS**

2,306,172 A \* 12/1942 Lindholm ..... 30/43.2  
3,245,145 A \* 4/1966 Buford ..... 30/43.5  
D290,758 S \* 7/1987 Arita ..... D28/49  
D295,684 S \* 5/1988 Muller ..... D28/53  
D307,193 S \* 4/1990 Nikolaus ..... D28/53  
D424,746 S \* 5/2000 Lee ..... D28/50  
6,076,263 A \* 6/2000 Andis et al. .... 30/216  
D430,353 S \* 8/2000 Yaow ..... D28/53

FIG. 1 is a front left top perspective view of the electric hair clipper showing the new design;  
FIG. 2 is a rear left top perspective view thereof;  
FIG. 3 is a front end view thereof;  
FIG. 4 is a rear end view thereof;  
FIG. 5 is a right side inverted view thereof;  
FIG. 6 is a top plan view thereof;  
FIG. 7 is a left side view thereof; and,  
FIG. 8 is a bottom plan view thereof.

The structures shown in broken lines are for illustrative purposes only and forms no part of the claimed design.

**1 Claim, 2 Drawing Sheets**



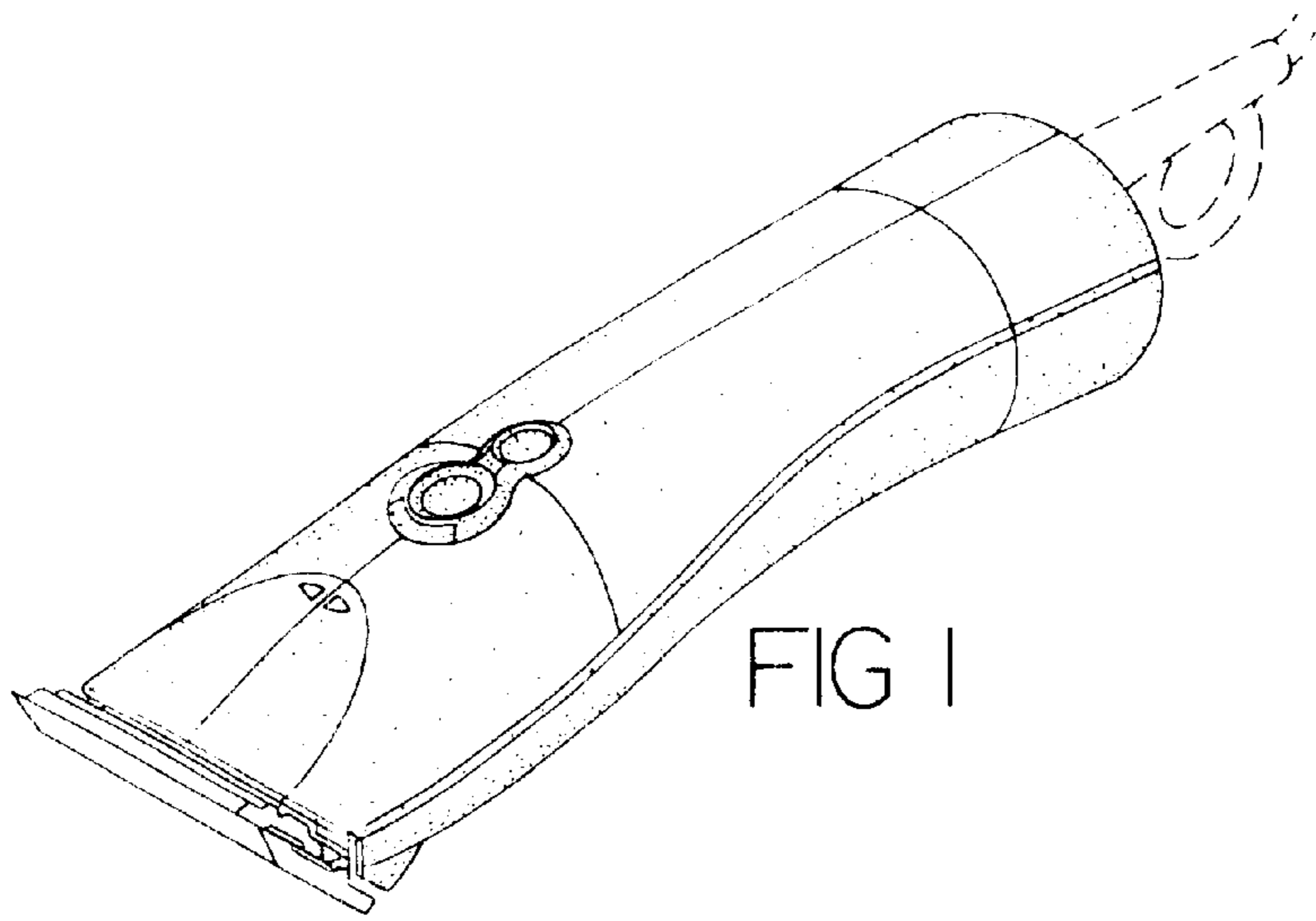


FIG 1

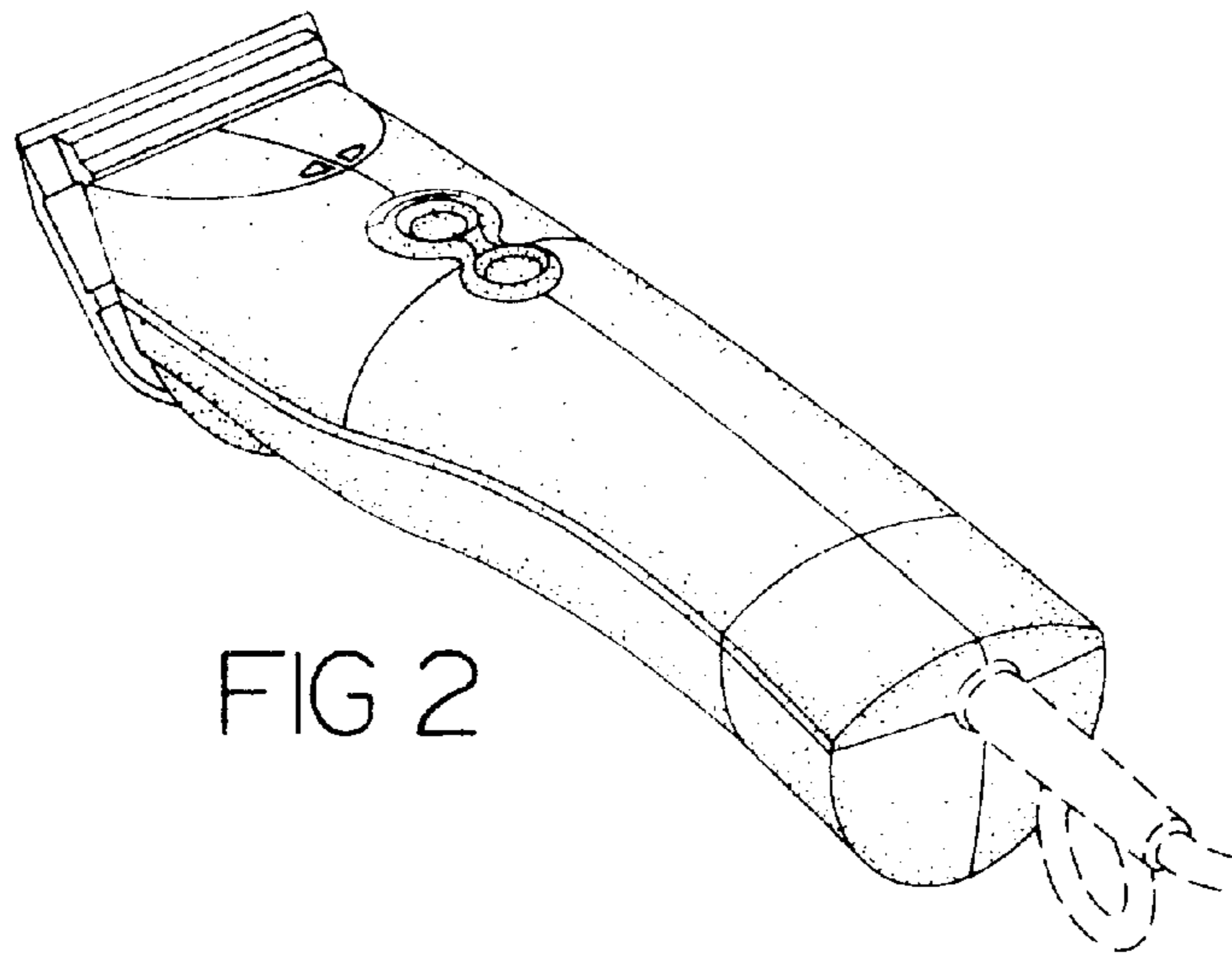


FIG 2

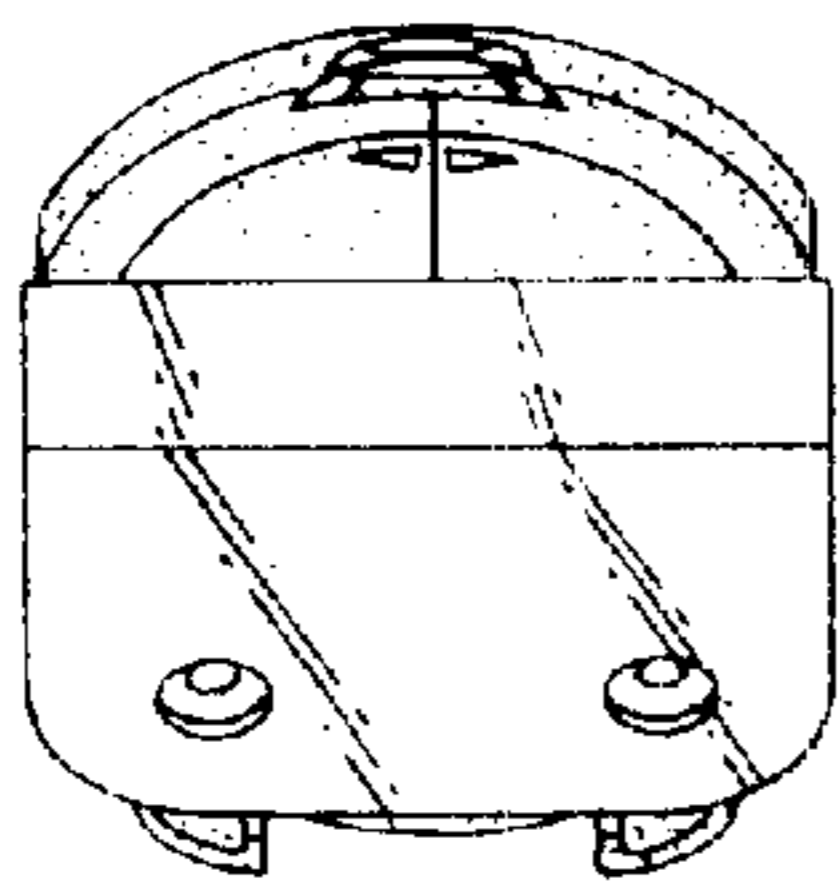


FIG 3

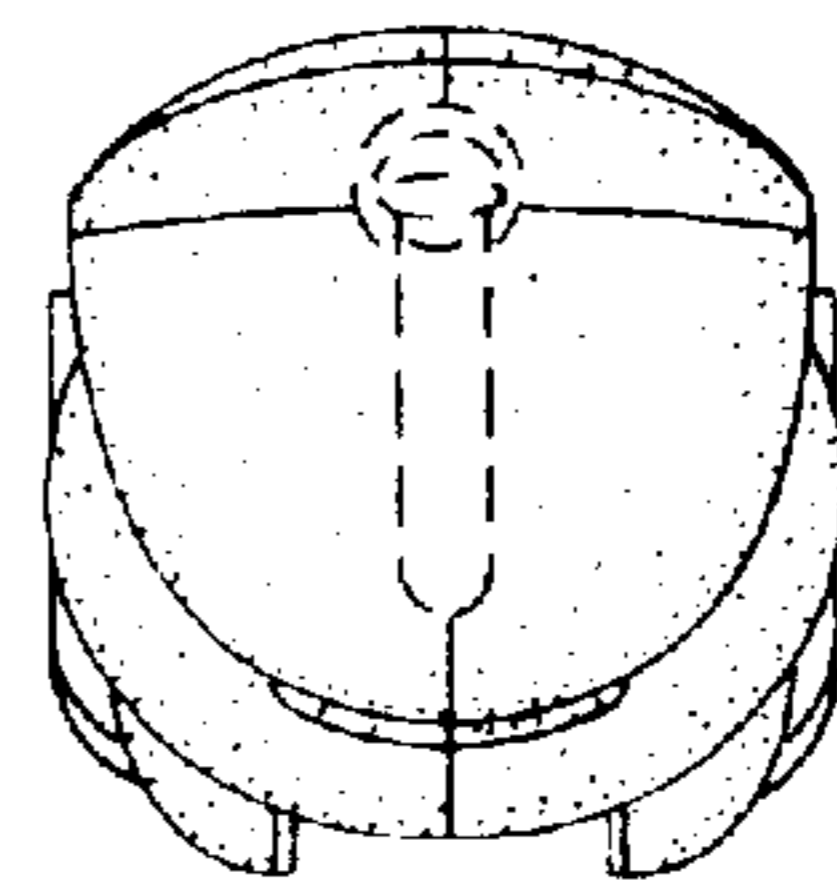


FIG 4

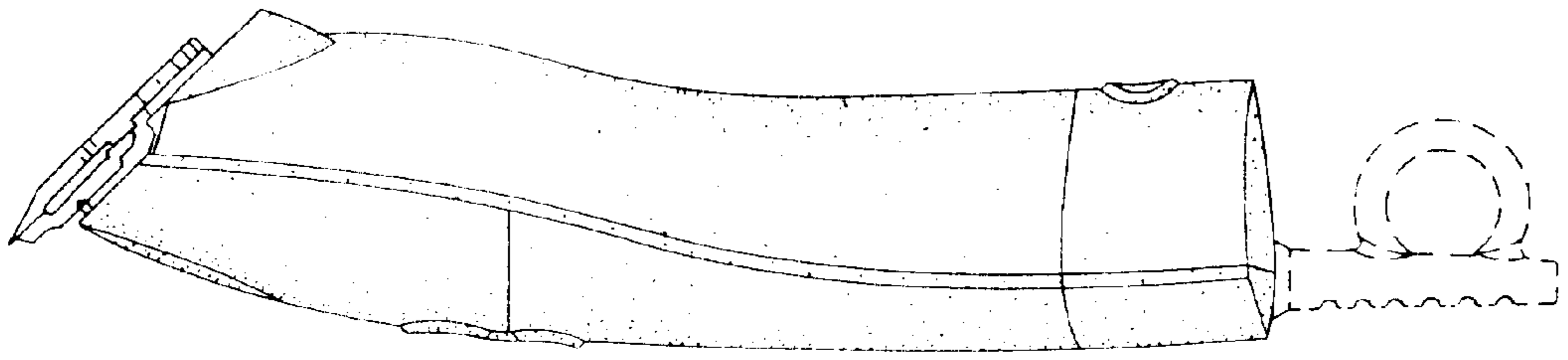


FIG 5

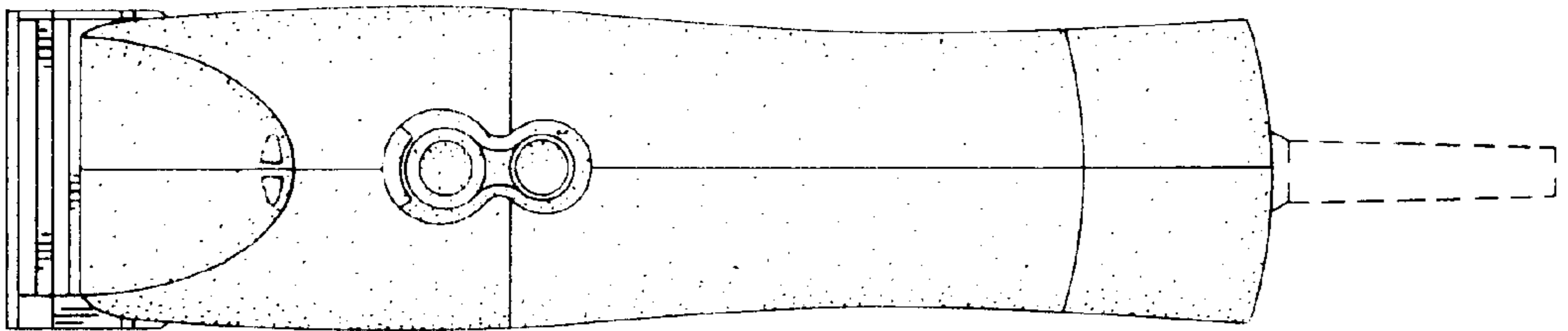


FIG 6



FIG 7

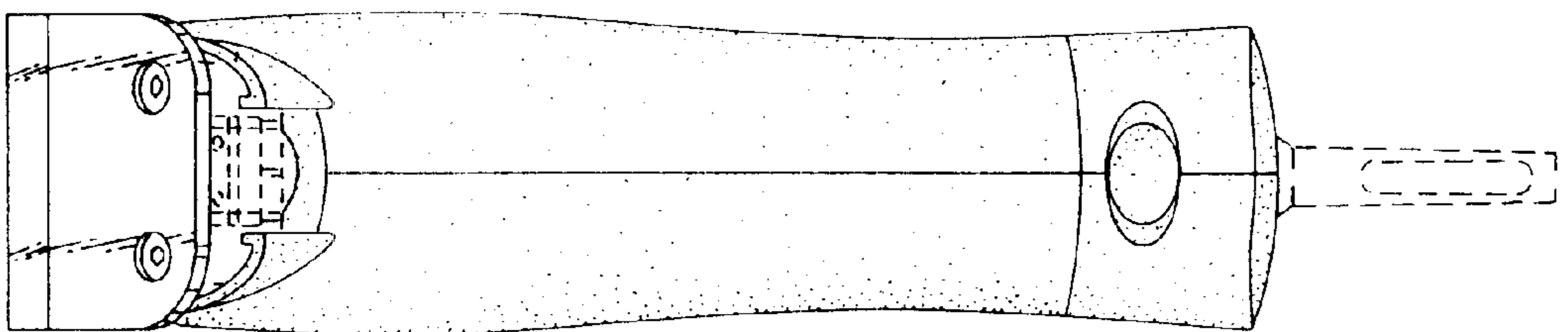


FIG 8