



US00D466649S

(12) **United States Design Patent**
Wonderley et al.

(10) **Patent No.:** **US D466,649 S**

(45) **Date of Patent:** **** Dec. 3, 2002**

(54) **COMBINATION RAZOR HANDLE AND RAZOR CARTRIDGE HAVING A DUAL PURPOSE SOAP BAR**

5,903,979 A * 5/1999 Oldroyd 30/41
D425,251 S * 5/2000 Gray D28/48
D439,015 S * 3/2001 Wonderley D28/48
D441,910 S * 5/2001 Prochaska D28/48

(75) Inventors: **Jeffrey Wonderley**, Ft. Defiance, VA (US); **Jason Kite**, Shenandoah, VA (US); **Frank H. Prochaska**, Waynesboro, VA (US)

* cited by examiner

Primary Examiner—Ted Shooman

Assistant Examiner—C Tuttle

(74) *Attorney, Agent, or Firm*—McDermott, Will & Emery

(73) Assignee: **American Safety Razor**, Verona, VA (US)

(57) **CLAIM**

(**) Term: **14 Years**

An ornamental design for a combination razor handle and razor cartridge having a soap bar, as shown and described in the drawings.

(21) Appl. No.: **29/142,987**

DESCRIPTION

(22) Filed: **Jun. 7, 2001**

(51) **LOC (7) Cl.** **28-03**

FIG. 1 is a front perspective view of the combination razor handle and razor cartridge having a soap bar showing the new design;

(52) **U.S. Cl.** **D28/46**

FIG. 2 is a top view of the combination razor handle and razor cartridge having a soap bar;

(58) **Field of Search** D28/44-46, 48; 30/32, 34.05, 34.2, 41, 47-51, 526

FIG. 3 is a bottom view of the combination razor handle and razor cartridge having a soap bar;

(56) **References Cited**

U.S. PATENT DOCUMENTS

D229,249 S * 11/1973 Castelli D28/48
4,094,063 A * 6/1978 Trotta 30/47
D257,793 S * 1/1981 Gray D28/48
D269,915 S * 7/1983 Iten D28/46
4,741,103 A * 5/1988 Hultman 30/34.2
4,866,844 A * 9/1989 Burout 30/50
D318,142 S * 7/1991 Falchi D28/46
5,092,042 A * 3/1992 Miller et al.
D345,232 S * 3/1994 Gray D28/46

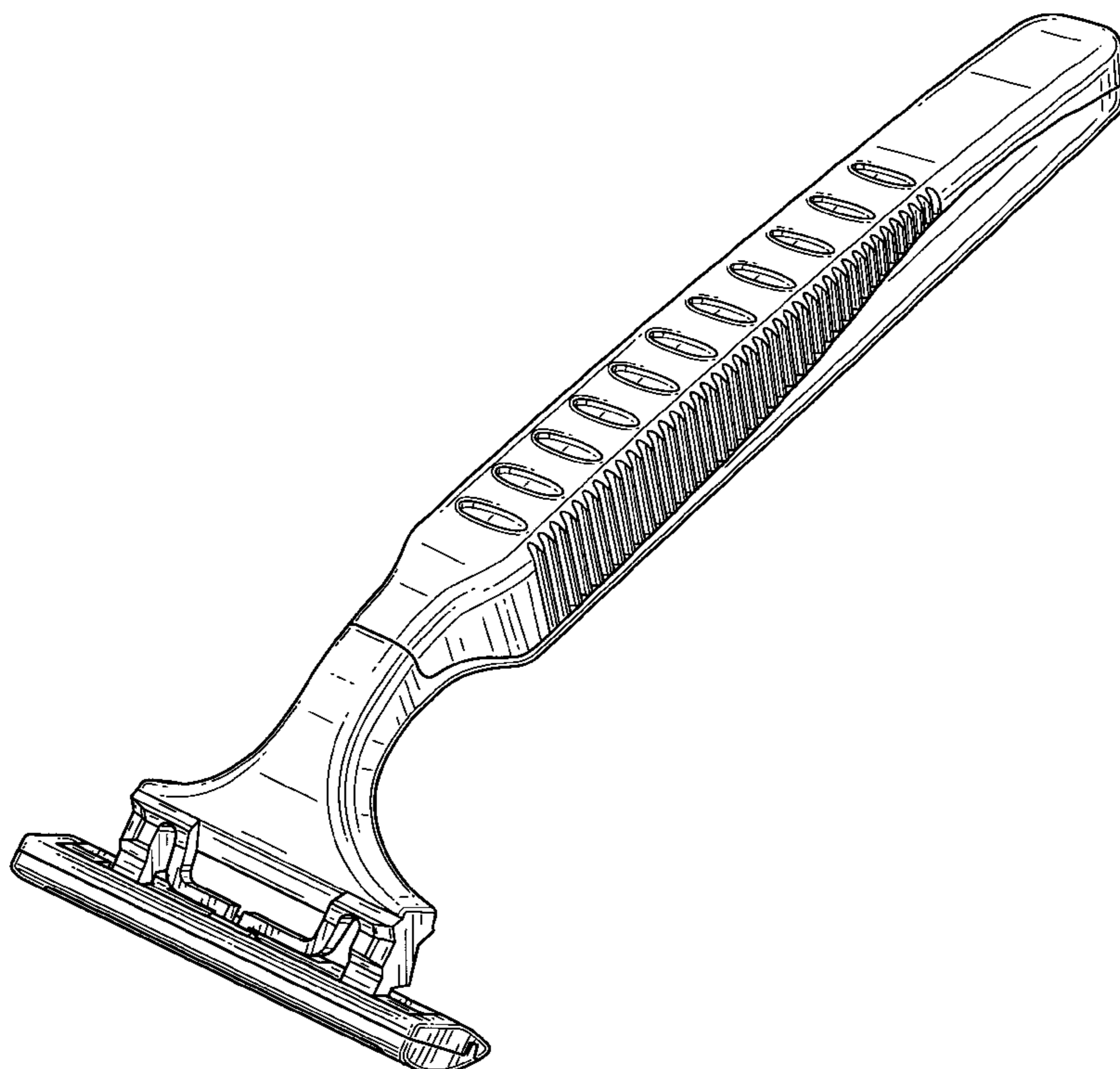
FIG. 4 is a side view of the combination razor handle and razor cartridge having a soap bar;

FIG. 5 is a front view of the combination razor handle and razor cartridge having a soap bar; and,

FIG. 6 is a back view of the combination razor handle and razor cartridge having a soap bar.

The structures shown in broken lines are for illustrative purposes only and form no part of the claimed design.

1 Claim, 5 Drawing Sheets



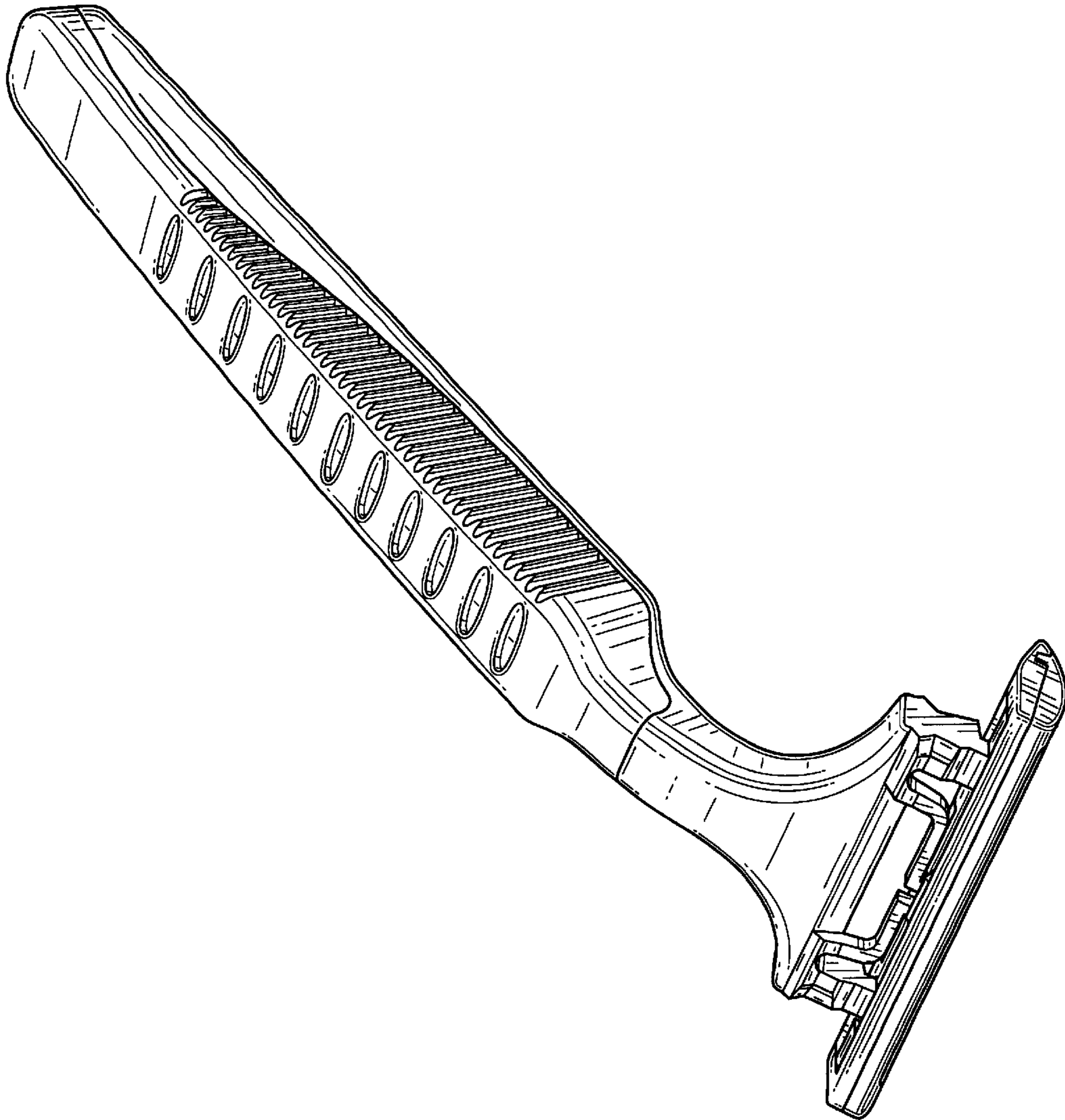


FIG. 1

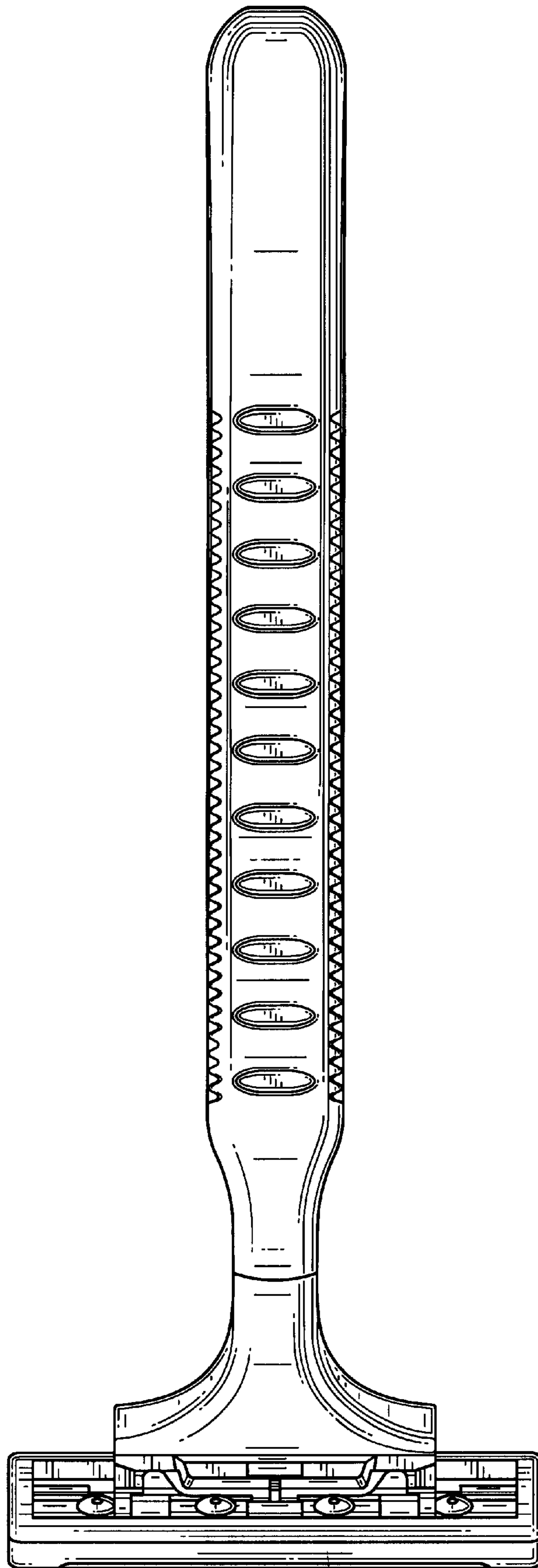


FIG. 2

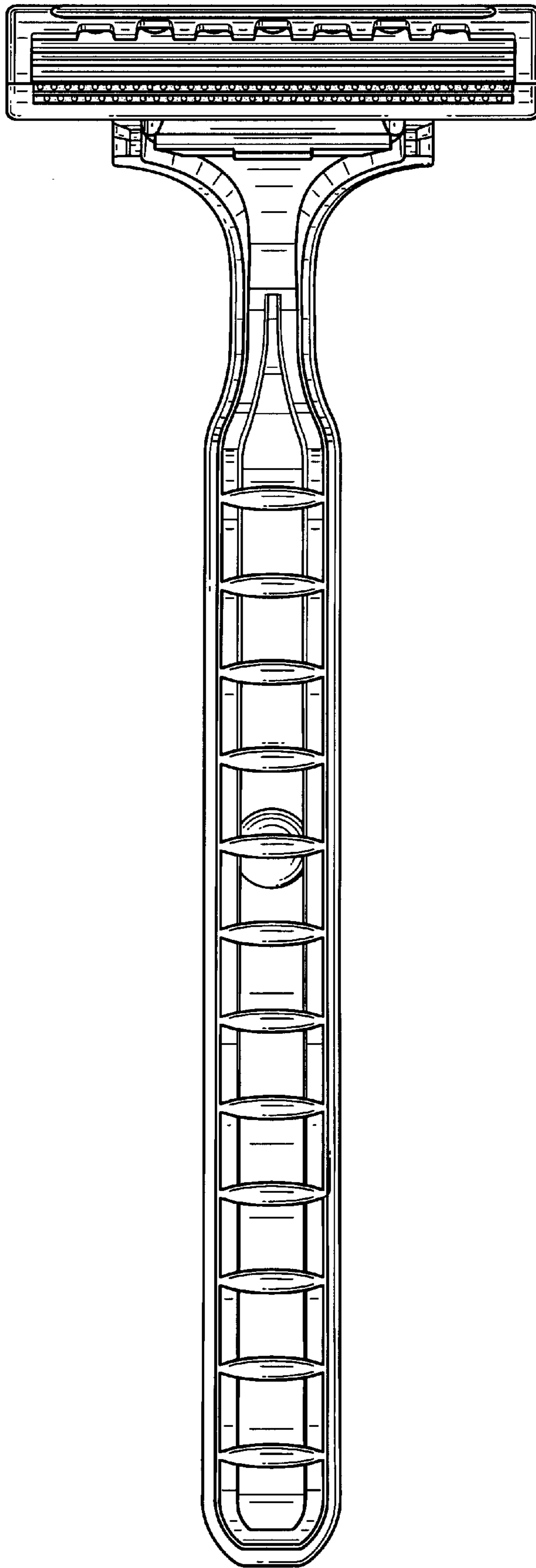


FIG. 3

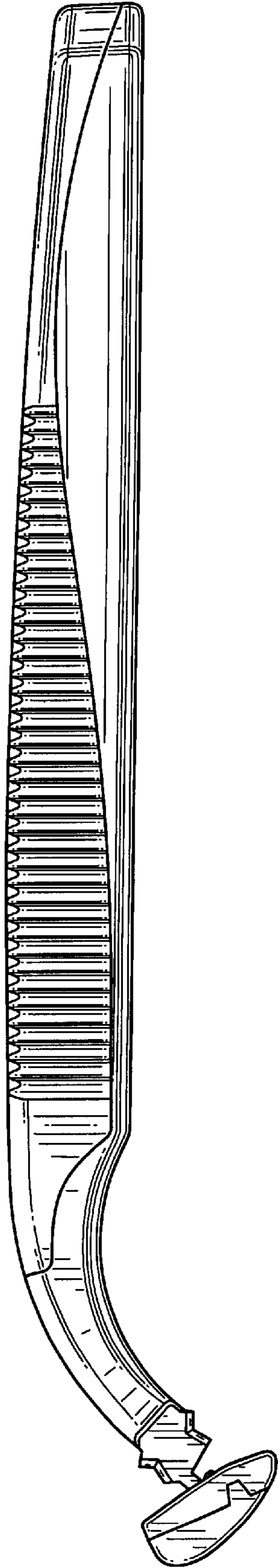


FIG. 4

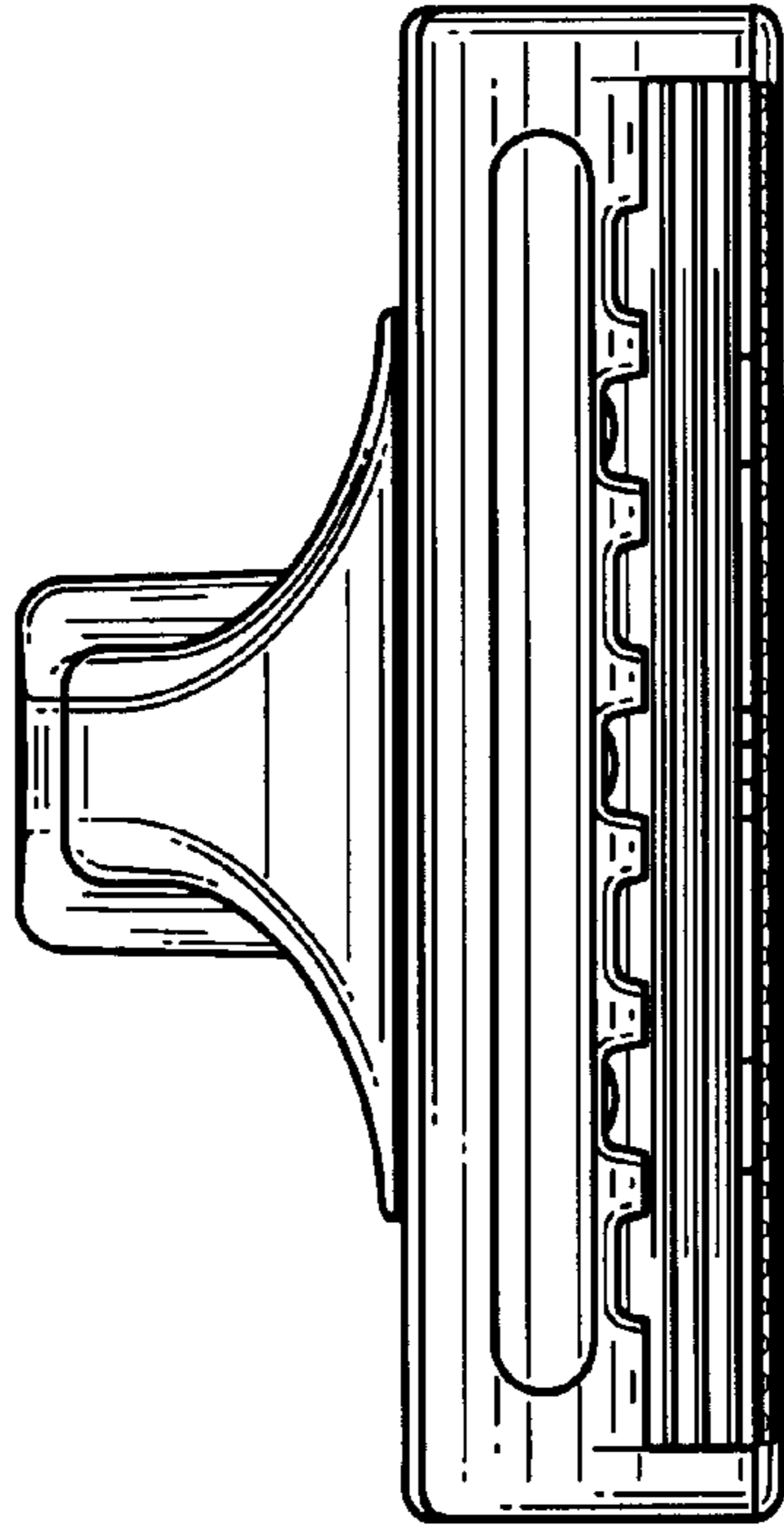


FIG. 5

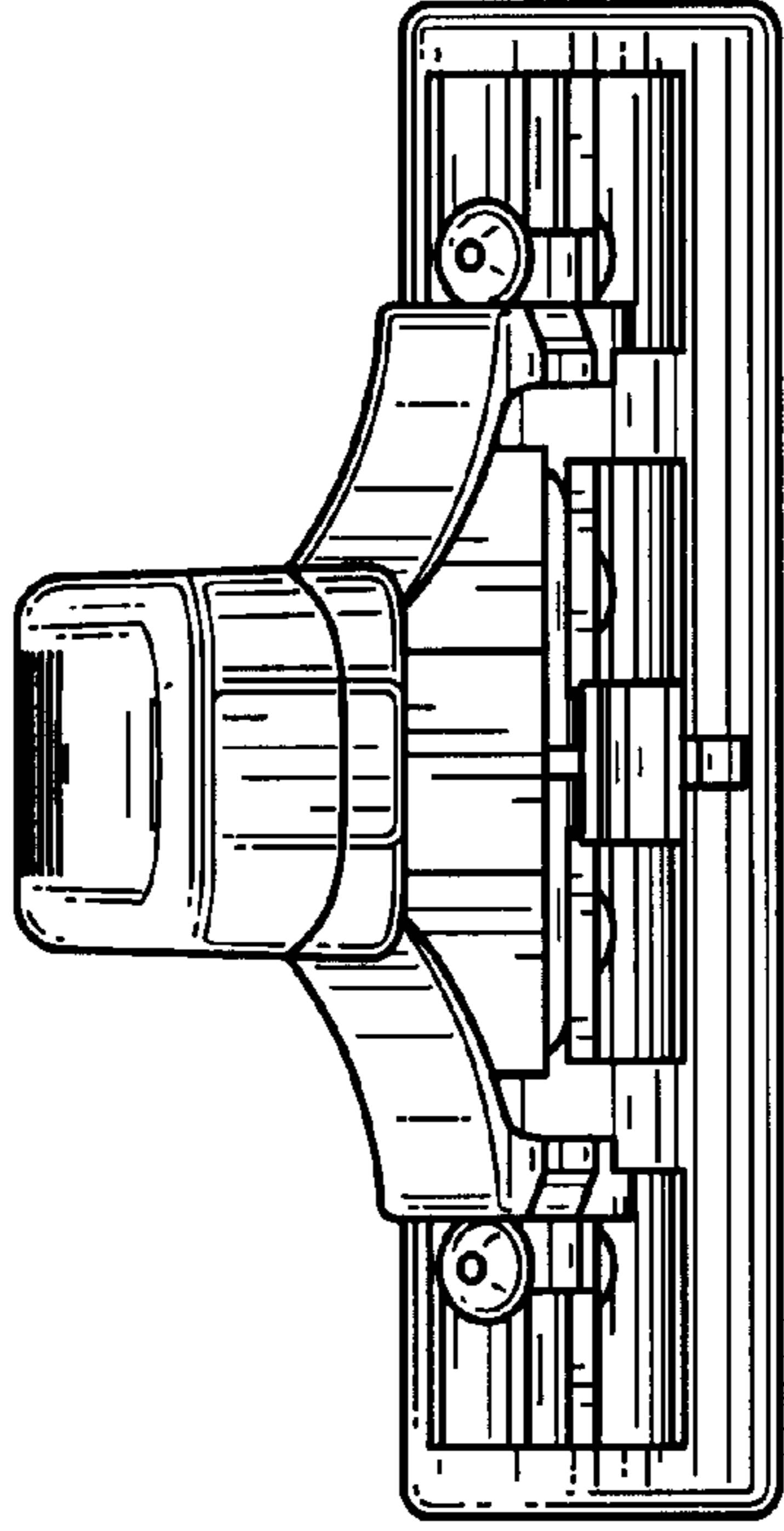


FIG. 6