



US00D466646S

(12) **United States Design Patent**  
**Lin**

(10) **Patent No.:** **US D466,646 S**

(45) **Date of Patent:** **\*\* Dec. 3, 2002**

(54) **LIGHTER**

D447,273 S \* 8/2001 Chen ..... D27/141

(76) **Inventor:** **Hwai-Tay Lin**, Akara Building, 24 De Castro Street, Wickhams Cay I, Road Town, Tortola (VG)

\* cited by examiner

*Primary Examiner*—Jennifer Rivard  
(74) *Attorney, Agent, or Firm*—Alan D. Kamrath; Rider, Bennett, Egan & Arundel

(\*\*) **Term:** **14 Years**

(57) **CLAIM**

(21) **Appl. No.:** **29/159,122**

The ornamental design for lighter, as shown and described.

(22) **Filed:** **Apr. 15, 2002**

**DESCRIPTION**

(51) **LOC (7) Cl.** ..... **27-05**

(52) **U.S. Cl.** ..... **D27/157**

(58) **Field of Search** ..... D27/141, 142, D27/143, 152–157, 159, 160; 431/273–277, 254–256, 157, 143

FIG. 1 is a perspective view of a lighter showing my new design;

FIG. 2 is a front elevational view thereof; the opposite side being a mirror image of the shown.

FIG. 3 is a left elevational view thereof;

FIG. 4 is a right elevational view thereof;

FIG. 5 is a top plan view thereof; and,

FIG. 6 is bottom plan view thereof.

(56) **References Cited**

**U.S. PATENT DOCUMENTS**

D429,541 S \* 8/2000 Hu ..... D27/154

**1 Claim, 2 Drawing Sheets**

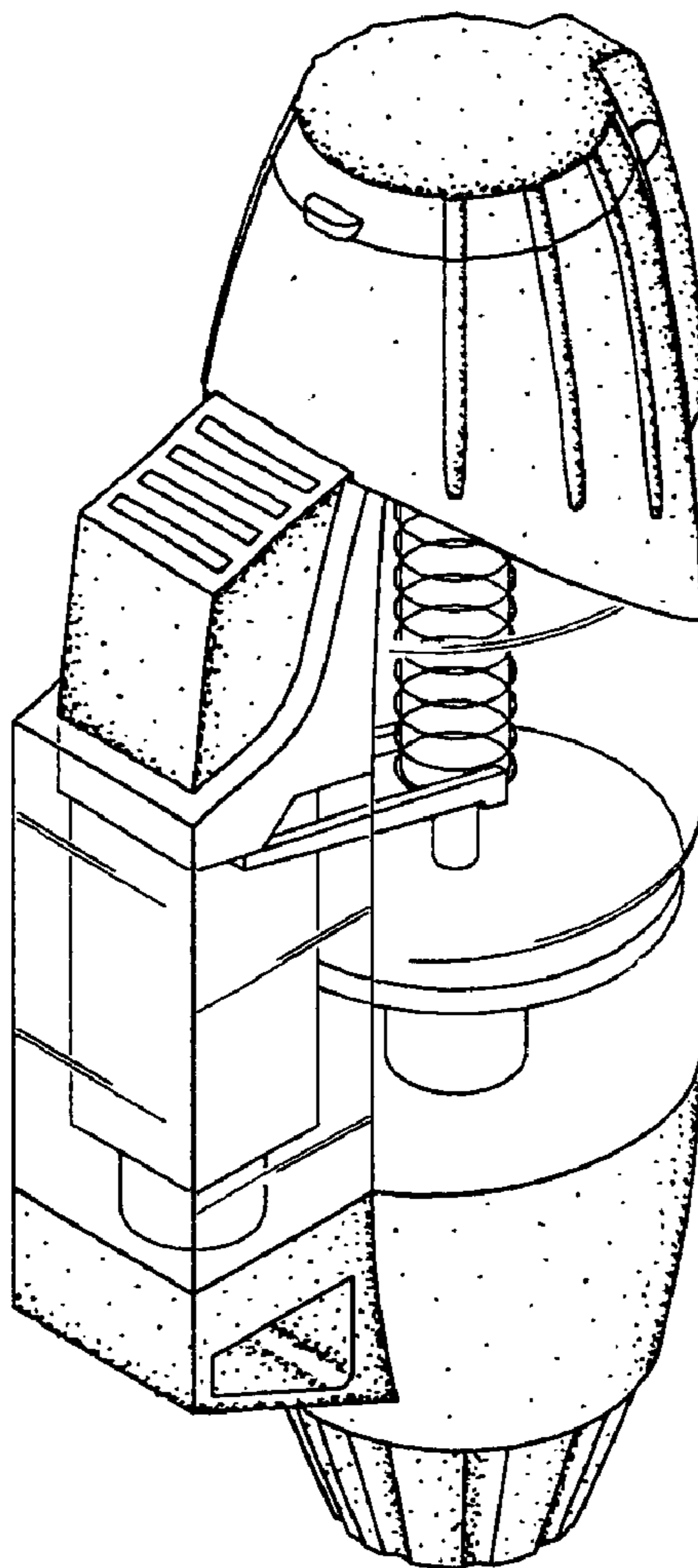


Fig. 1

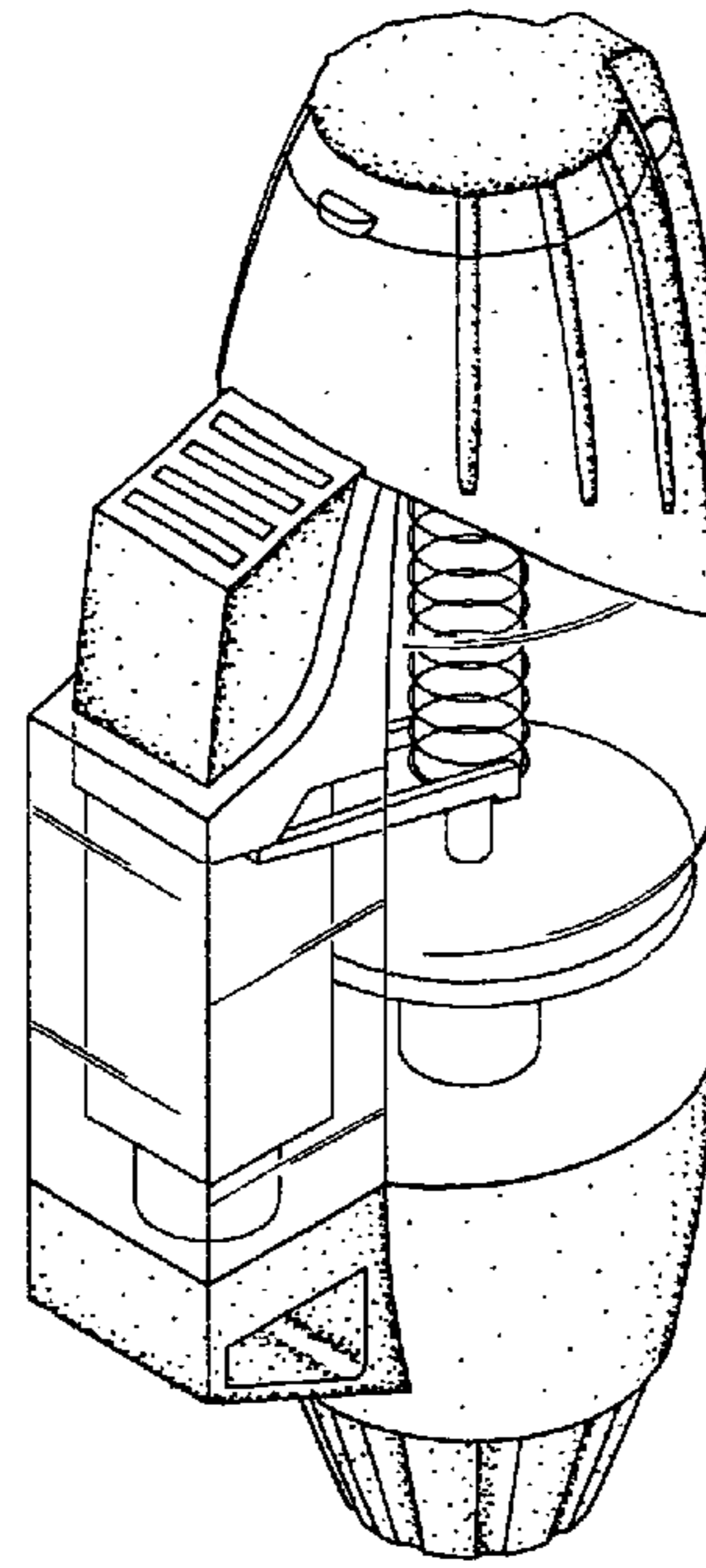
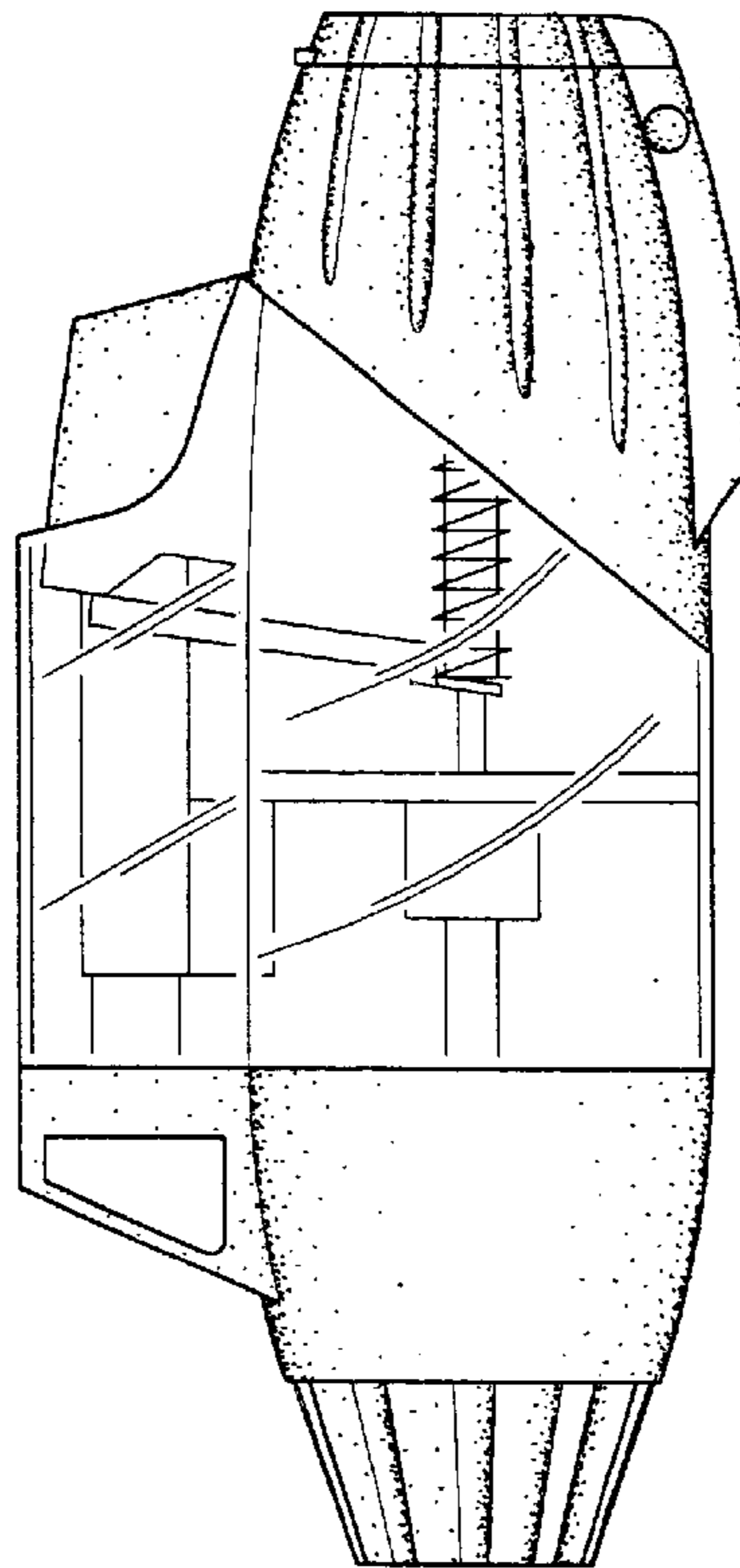


Fig. 2



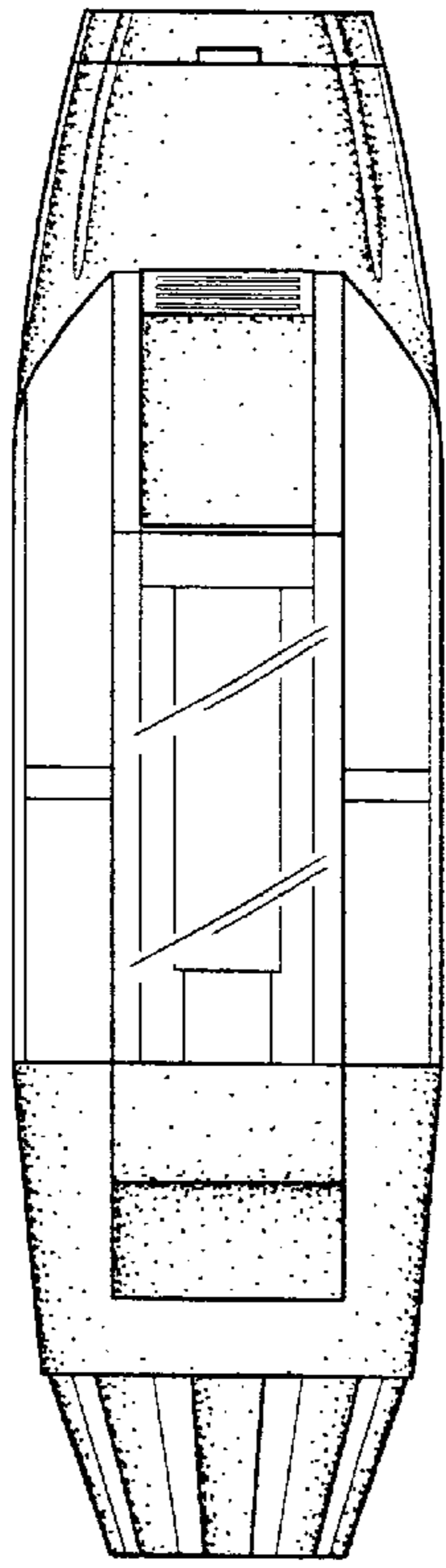


Fig. 3

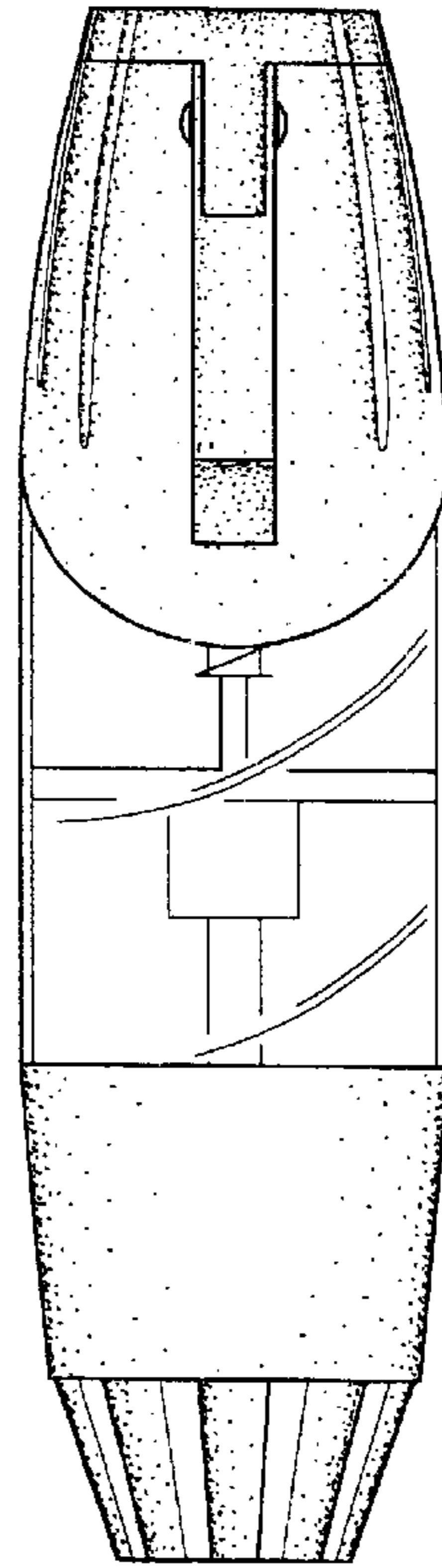


Fig. 4

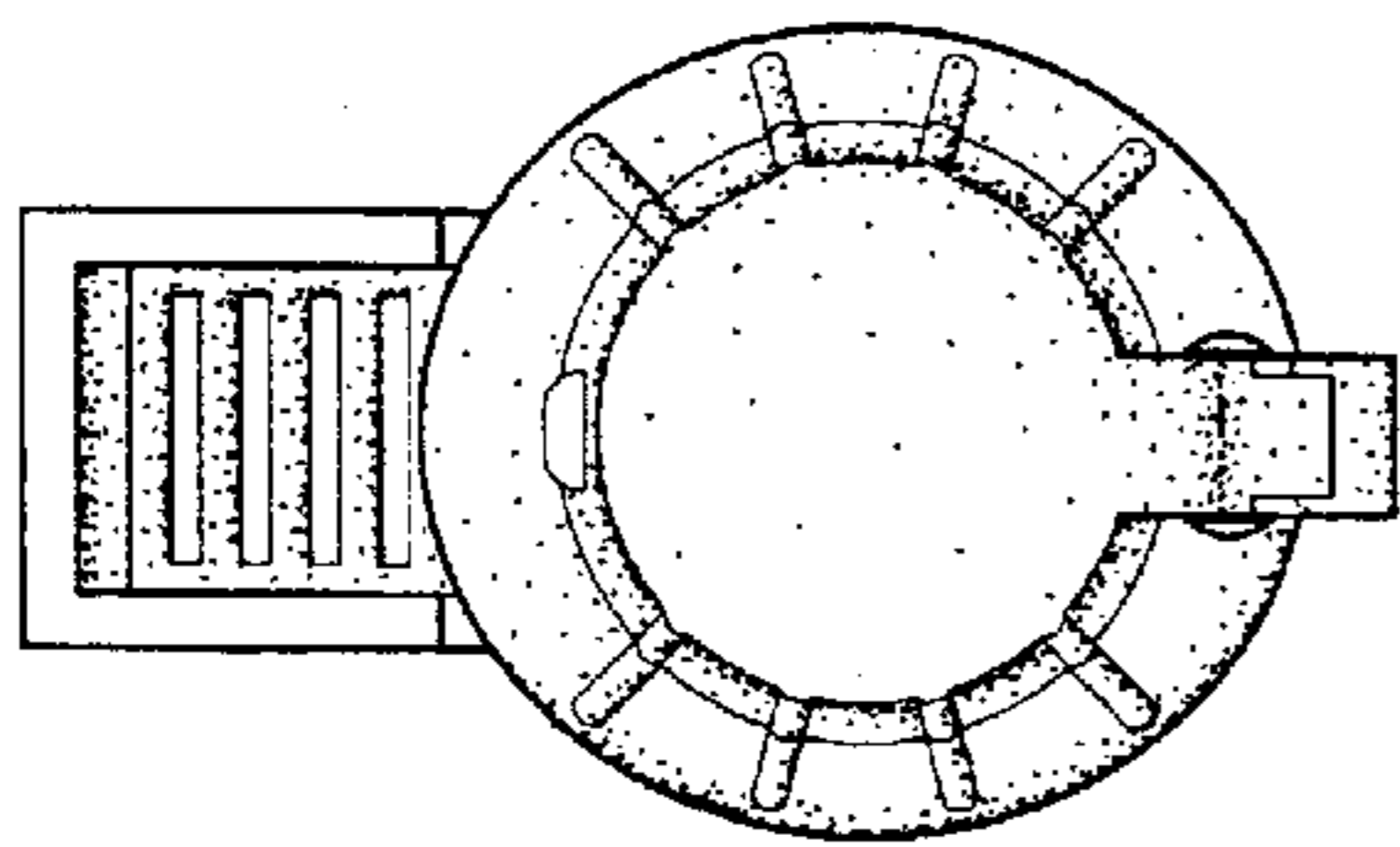


Fig. 5

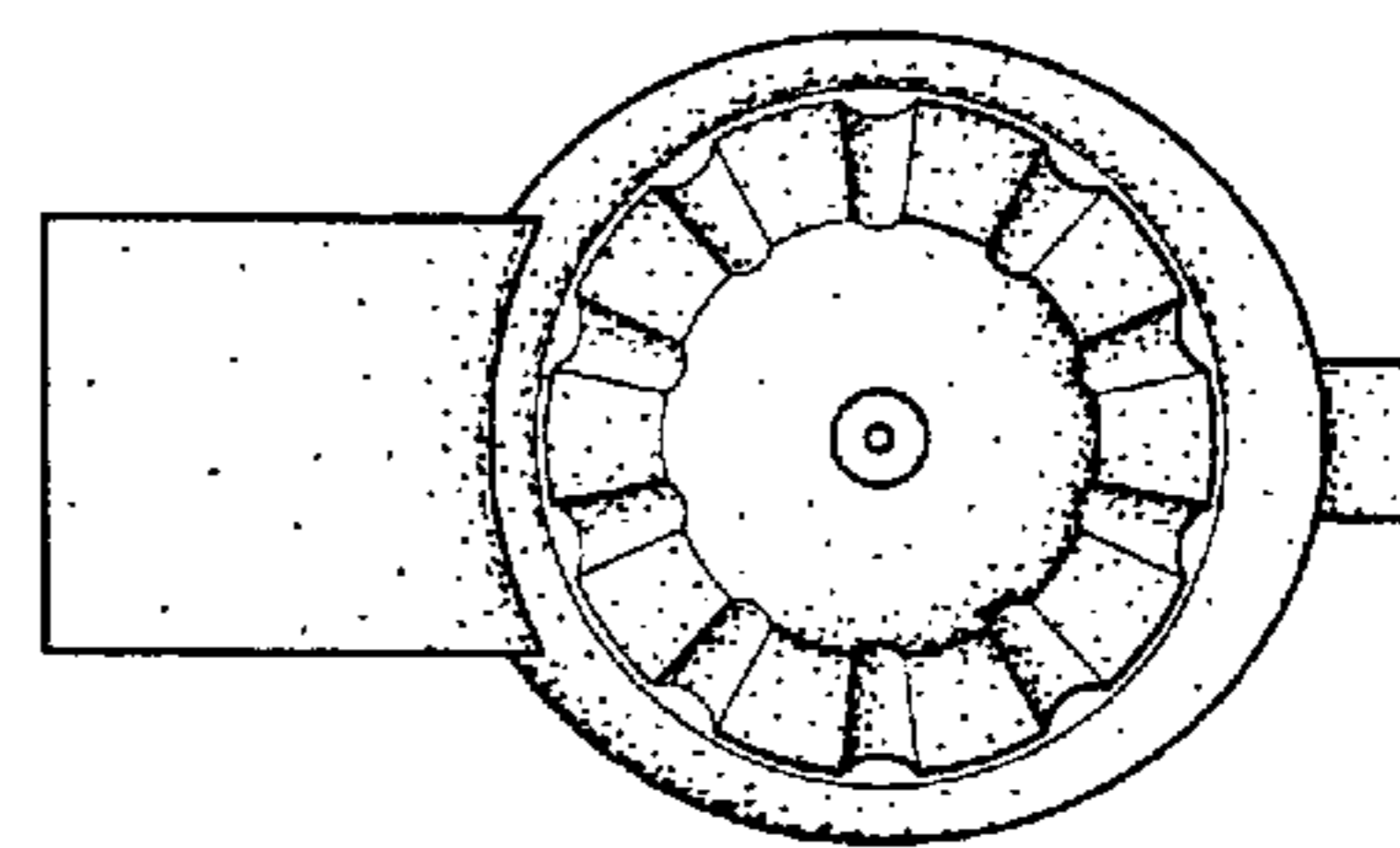


Fig. 6