



US00D466639S

(12) **United States Design Patent**
Kuelbs

(10) **Patent No.:** **US D466,639 S**

(45) **Date of Patent:** **** Dec. 3, 2002**

(54) **LIGHT**

(75) Inventor: **Gregory G. Kuelbs**, Westlake, TX (US)

(73) Assignee: **World Factory, Inc.**, Southlake, TX (US)

(**) Term: **14 Years**

(21) Appl. No.: **29/162,257**

(22) Filed: **Jun. 11, 2002**

(51) **LOC (7) Cl.** **26-05**

(52) **U.S. Cl.** **D26/67**

(58) **Field of Search** D26/67-72, 85,
D26/87, 92; 362/147, 153, 153.1, 183,
276, 363, 367, 431

(56) **References Cited**

U.S. PATENT DOCUMENTS

D51,326 S	*	10/1917	Adam	D26/87
D197,438 S	*	2/1964	Harling et al.	D26/67
D302,327 S	*	7/1989	DiCola	D26/67
5,406,466 A	*	4/1995	Stokes	362/153.1
D452,341 S	*	12/2001	Jones et al.	D26/87

* cited by examiner

Primary Examiner—Alan P. Douglas

Assistant Examiner—Clare E. Heflin

(74) *Attorney, Agent, or Firm*—James E. Walton; Hill & Hunn, LLP

(57) **CLAIM**

The ornamental design for a light, as shown and described.

DESCRIPTION

FIG. 1 is a perspective view of the light according to the present invention.

FIG. 2 is a rear view of the light according to the present invention.

FIG. 3 is a front view of the light according to the present invention.

FIG. 4 is a left side view of the light according to the present invention.

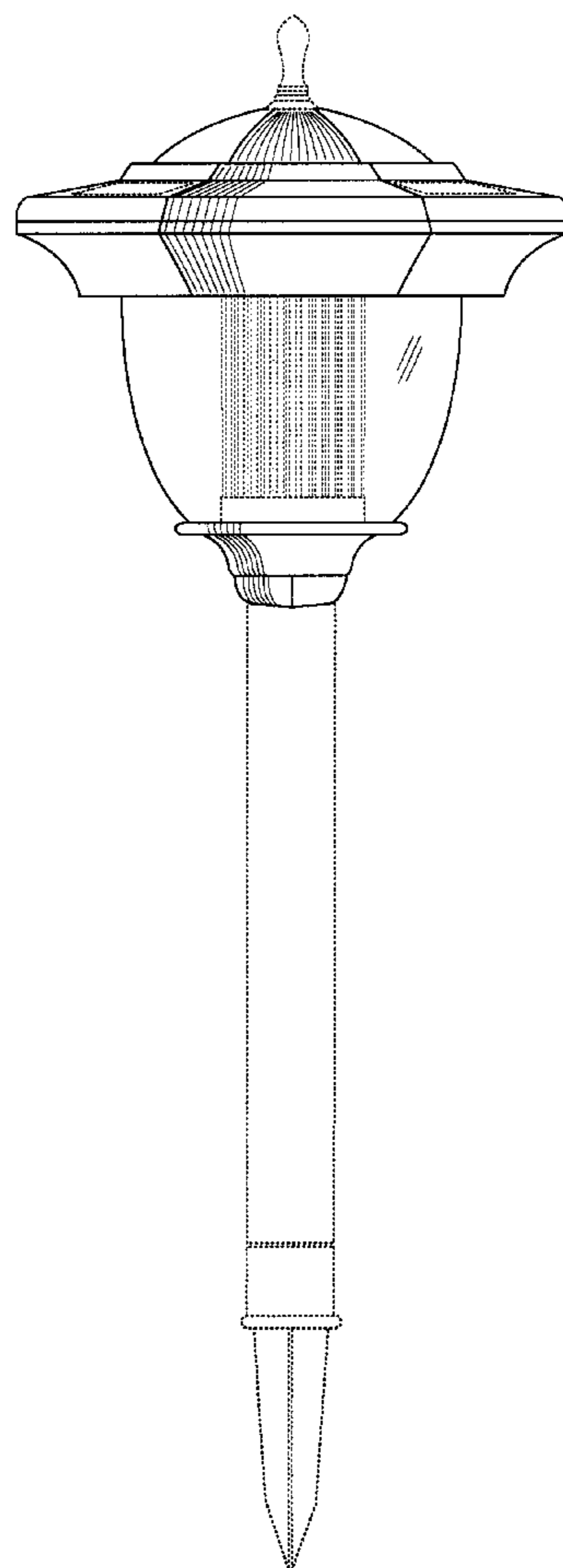
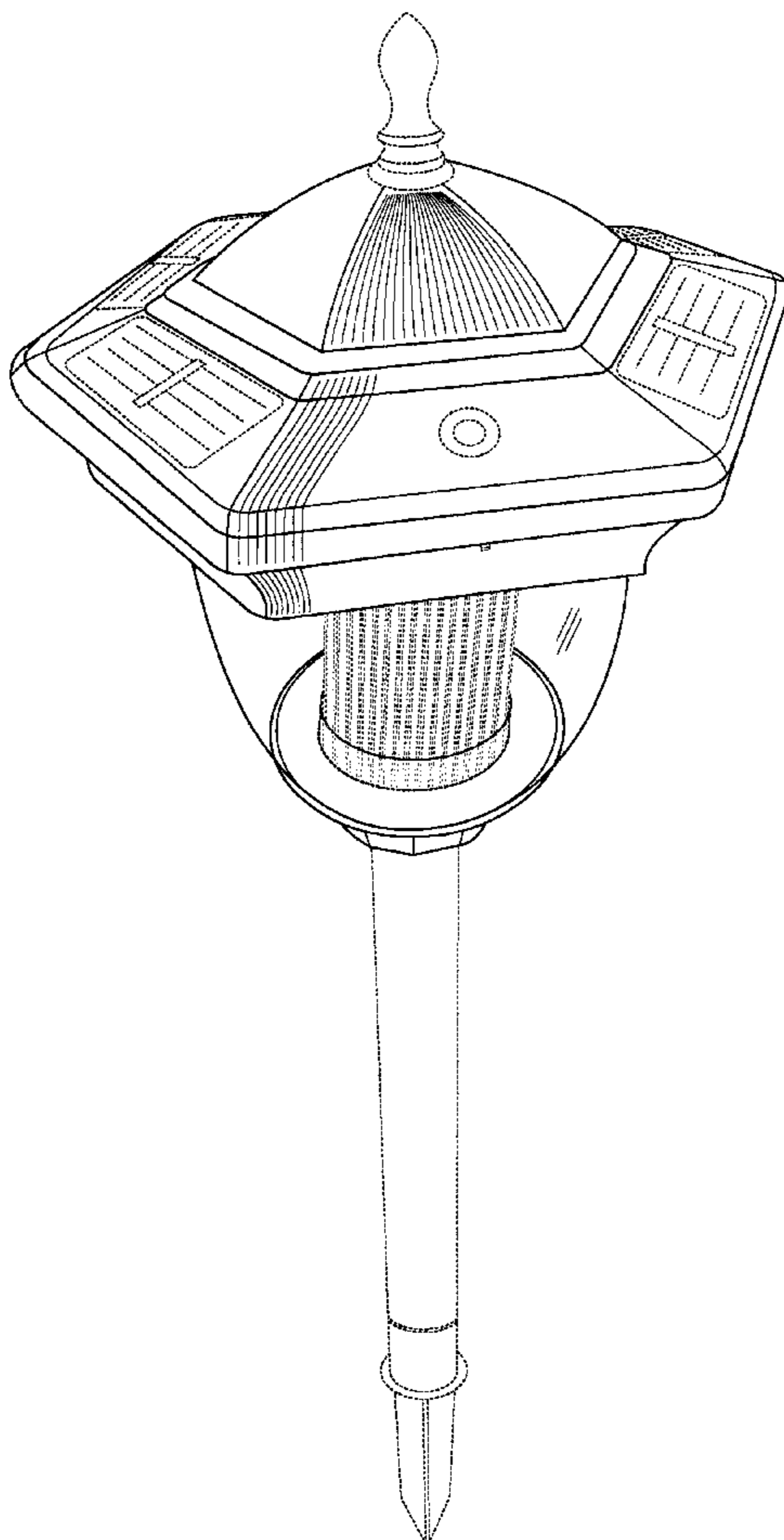
FIG. 5 is a right side view of the light according to the present invention.

FIG. 6 is a top view of the light according to the present invention; and,

FIG. 7 is a bottom view of the light according to the present invention.

The broken lines shown on the drawings are for illustrative purposes only and form no part of the claimed design.

1 Claim, 6 Drawing Sheets



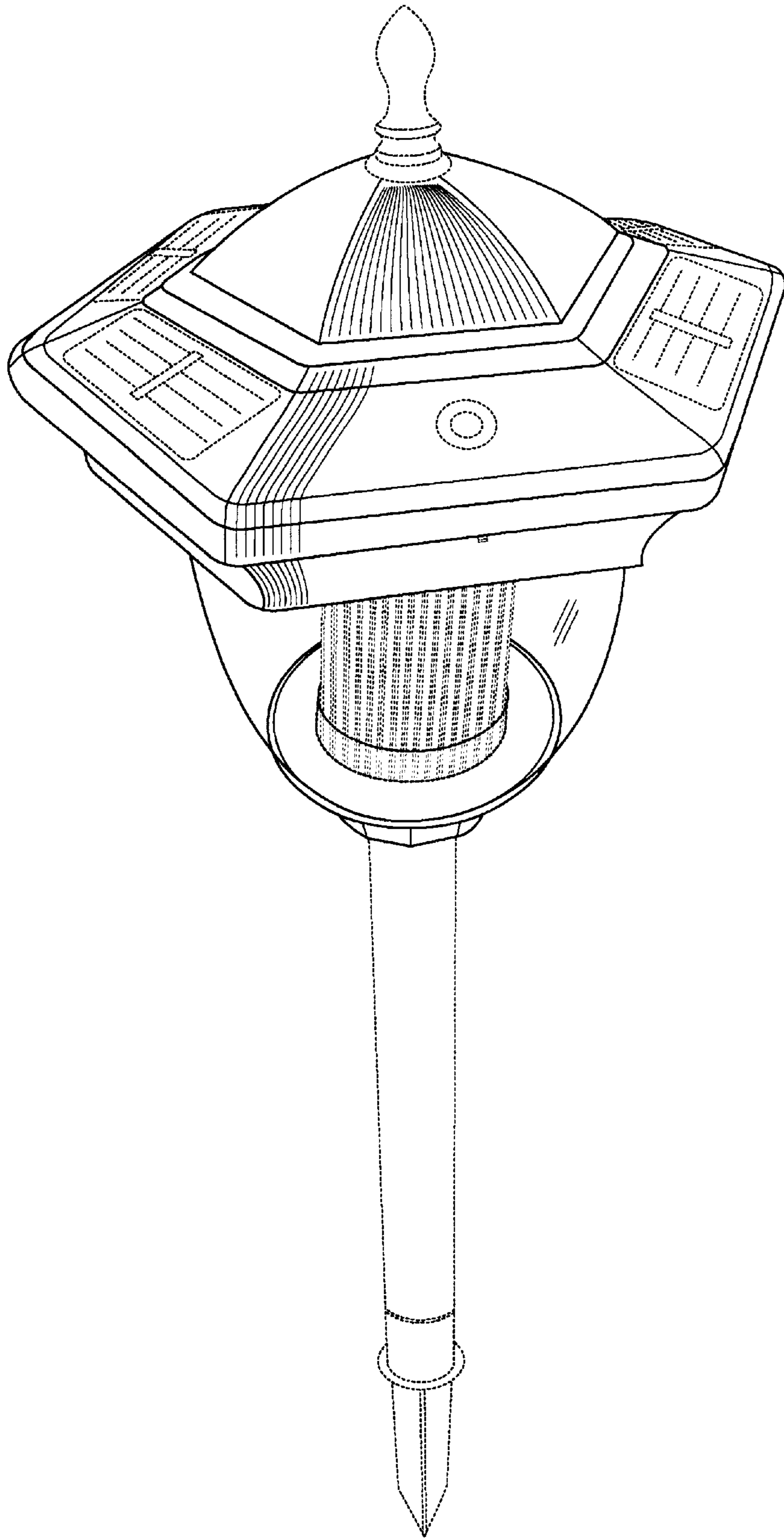


Figure 1

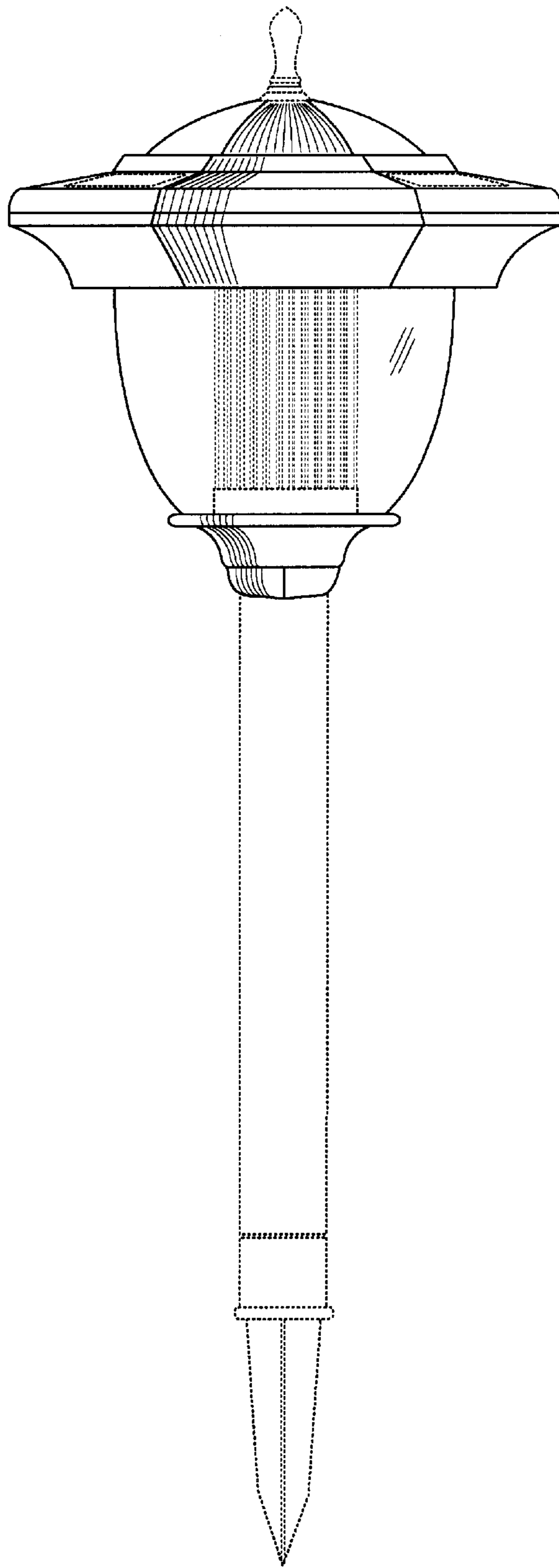


Figure 2

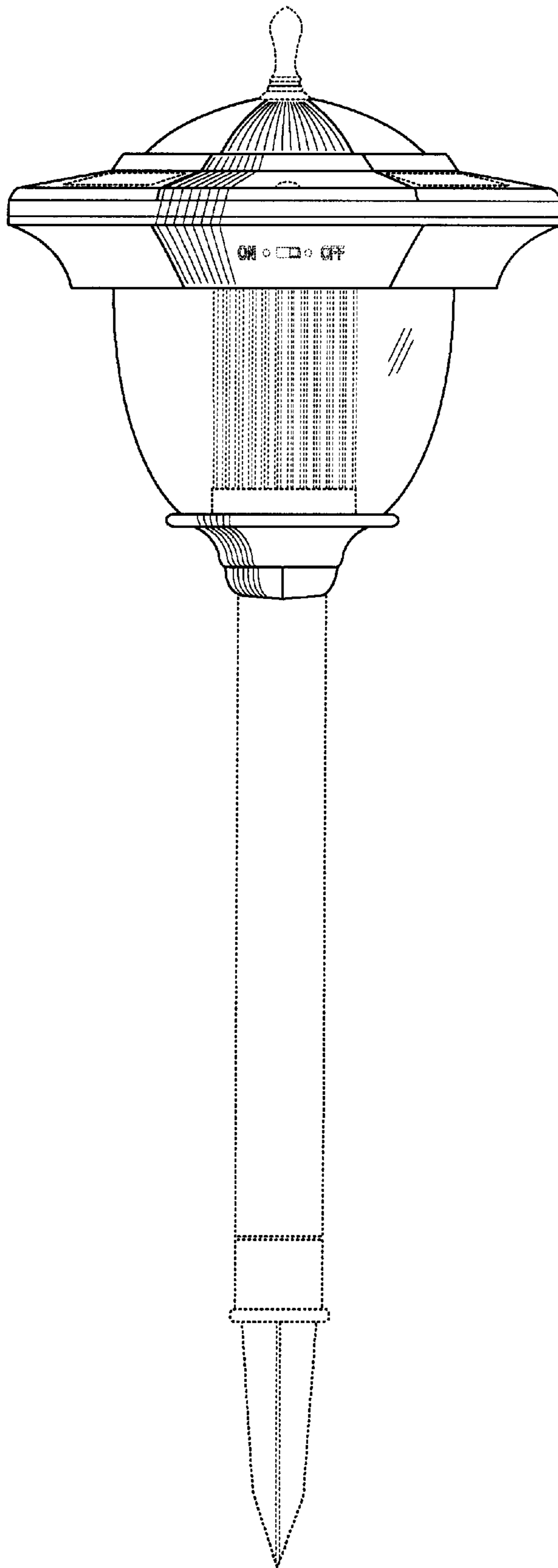


Figure 3

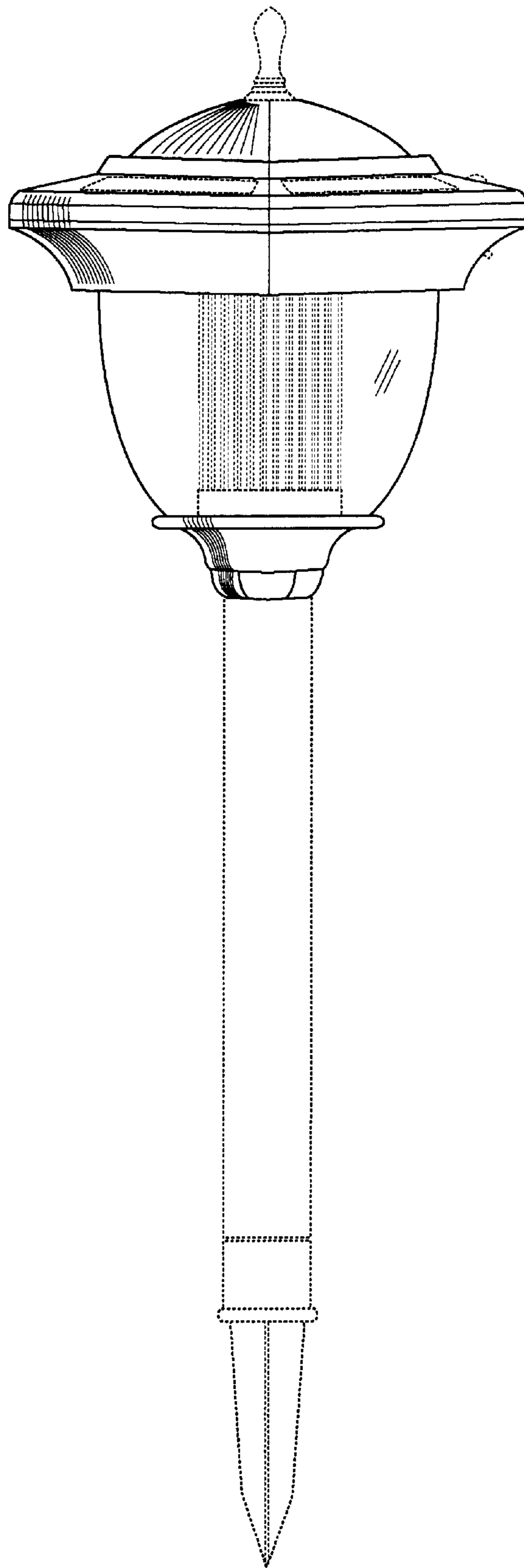


Figure 4

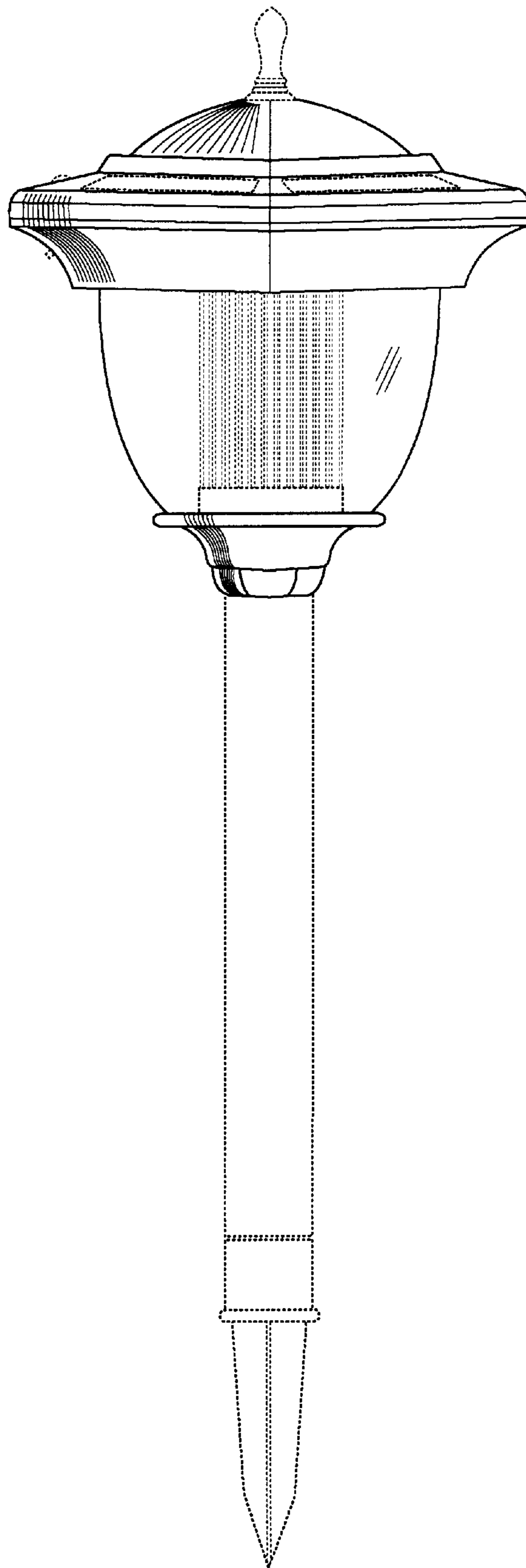


Figure 5

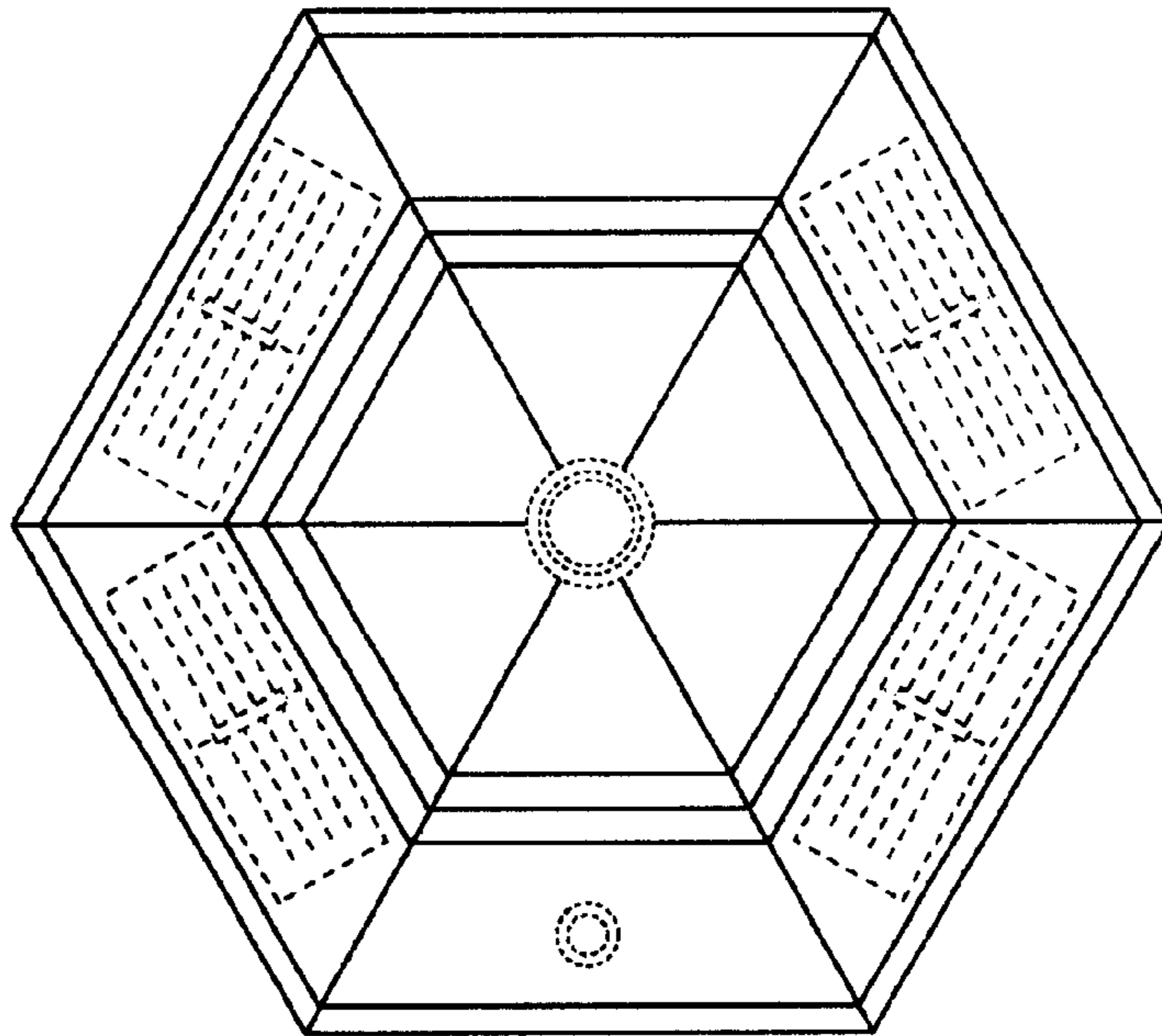


Figure 6

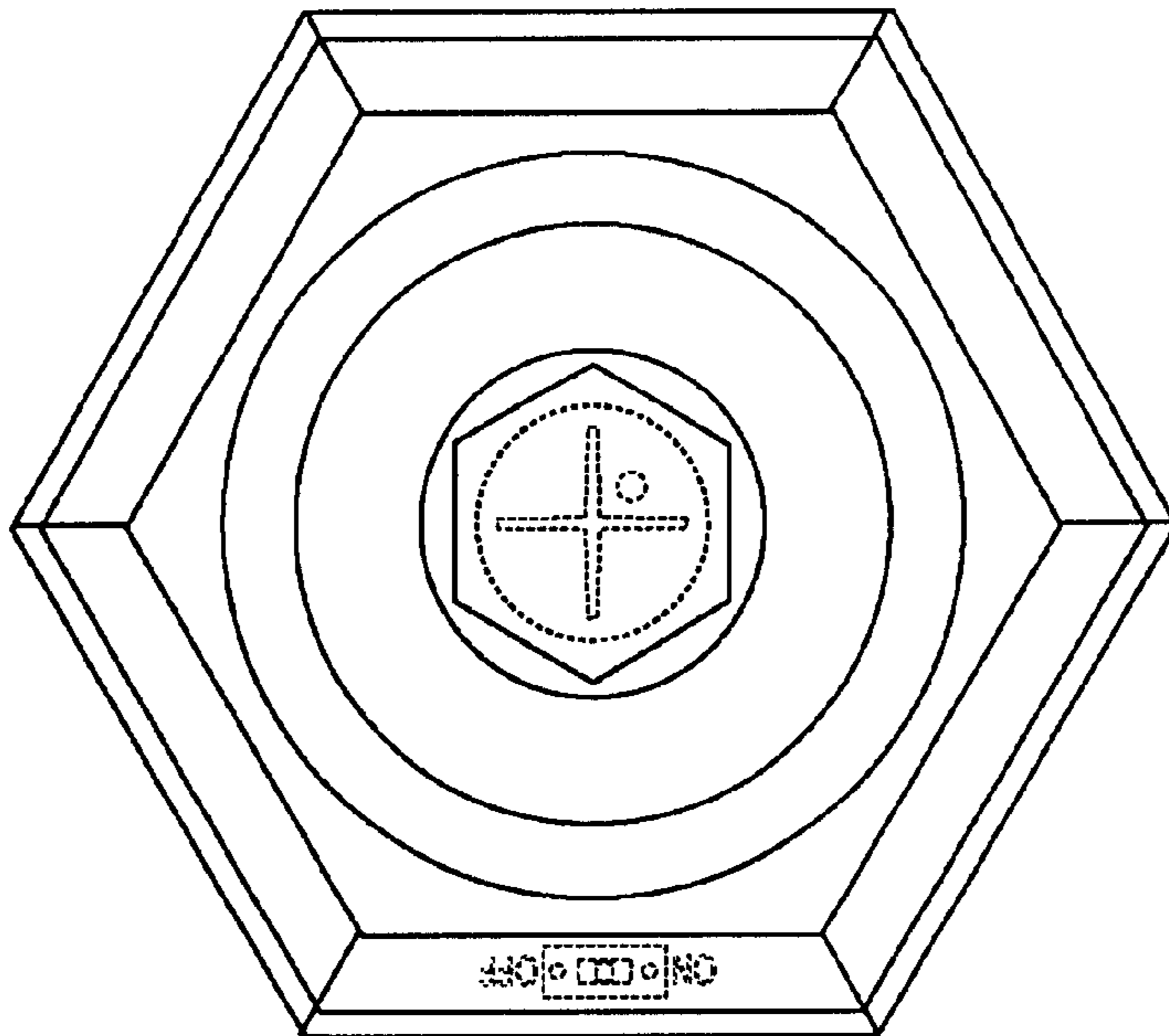


Figure 7