



US00D466638S

(12) **United States Design Patent**
Poon

(10) **Patent No.:** **US D466,638 S**

(45) **Date of Patent:** **** Dec. 3, 2002**

(54) **SPOTLIGHT**

D361,144 S * 8/1995 Zoiselet D26/61

(75) Inventor: **Tit Wing Poon**, Shatin (HK)

* cited by examiner

(73) Assignee: **Flying Dragon Development Ltd.**,
Shatin (HK)

Primary Examiner—Marcus A. Jackson

(74) *Attorney, Agent, or Firm*—Alix, Yale & Ristas, LLP

(**) Term: **14 Years**

(57) **CLAIM**

The ornamental design for a spotlight, as shown and described.

(21) Appl. No.: **29/153,342**

(22) Filed: **Oct. 24, 2001**

DESCRIPTION

(30) **Foreign Application Priority Data**

May 28, 2001 (HK) 0110790

FIG. 1 is a front perspective view of the spotlight form above showing my new design, with the wires broken away to indicate indeterminate length;

(51) **LOC (7) Cl.** **26-05**

FIG. 2 is a rear perspective view of the spotlight of FIG. 1 from below;

(52) **U.S. Cl.** **D26/61**

(58) **Field of Search** D26/37-50, 61,
D26/63; 362/109, 136, 156-158, 163, 171-173,
181-183, 200-206

FIG. 3 is a front view of the spotlight of FIG. 1;

FIG. 4 is a rear view of the spotlight of FIG. 1;

FIG. 5 is a left side view of the spotlight of FIG. 1;

FIG. 6 is a right side view of the spotlight of FIG. 1;

FIG. 7 is a top plan view of the spotlight of FIG. 1; and,

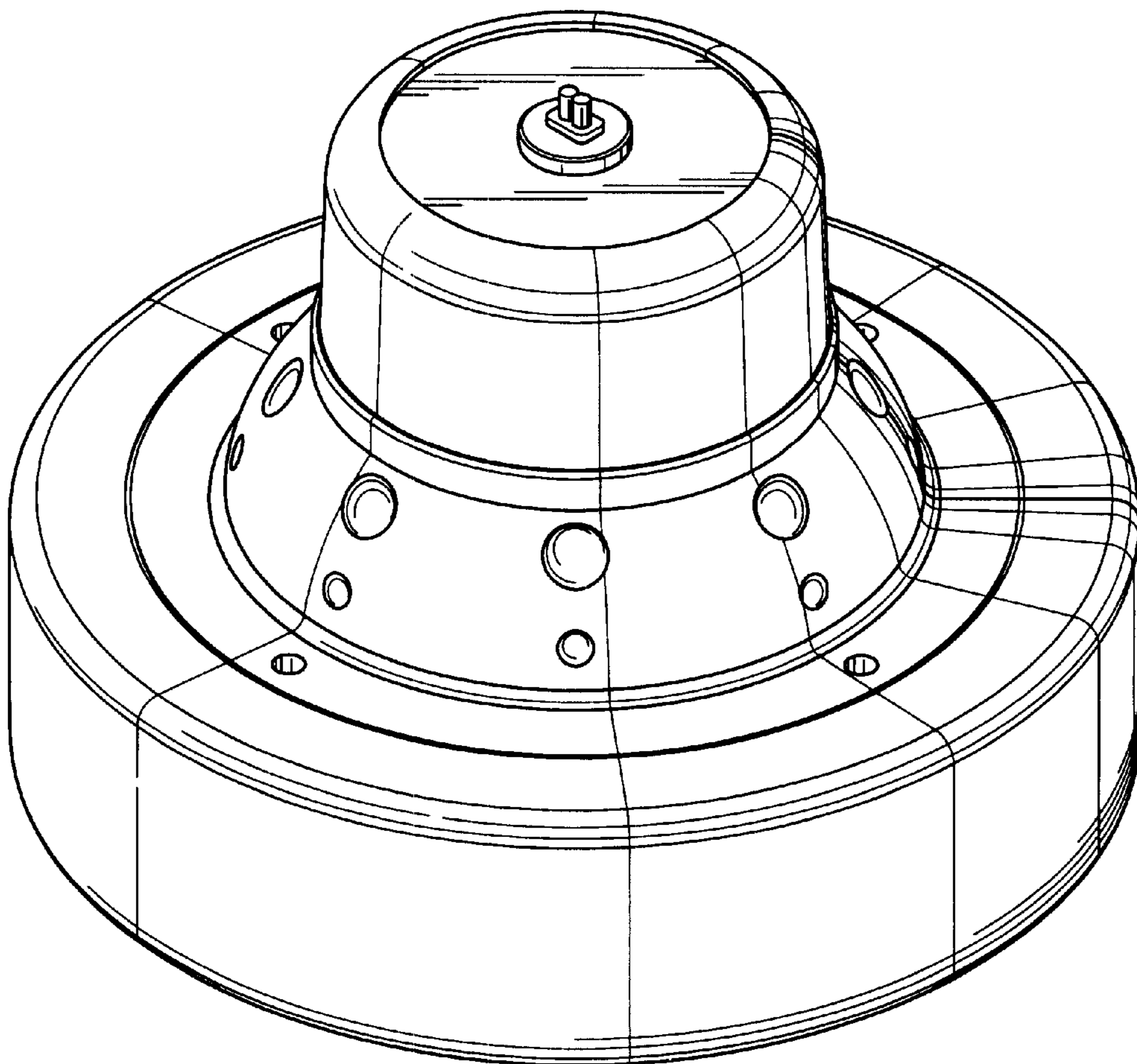
FIG. 8 is a bottom plan view of the spotlight of FIG. 1.

(56) **References Cited**

U.S. PATENT DOCUMENTS

D301,627 S * 6/1989 Sestak D26/61

1 Claim, 6 Drawing Sheets



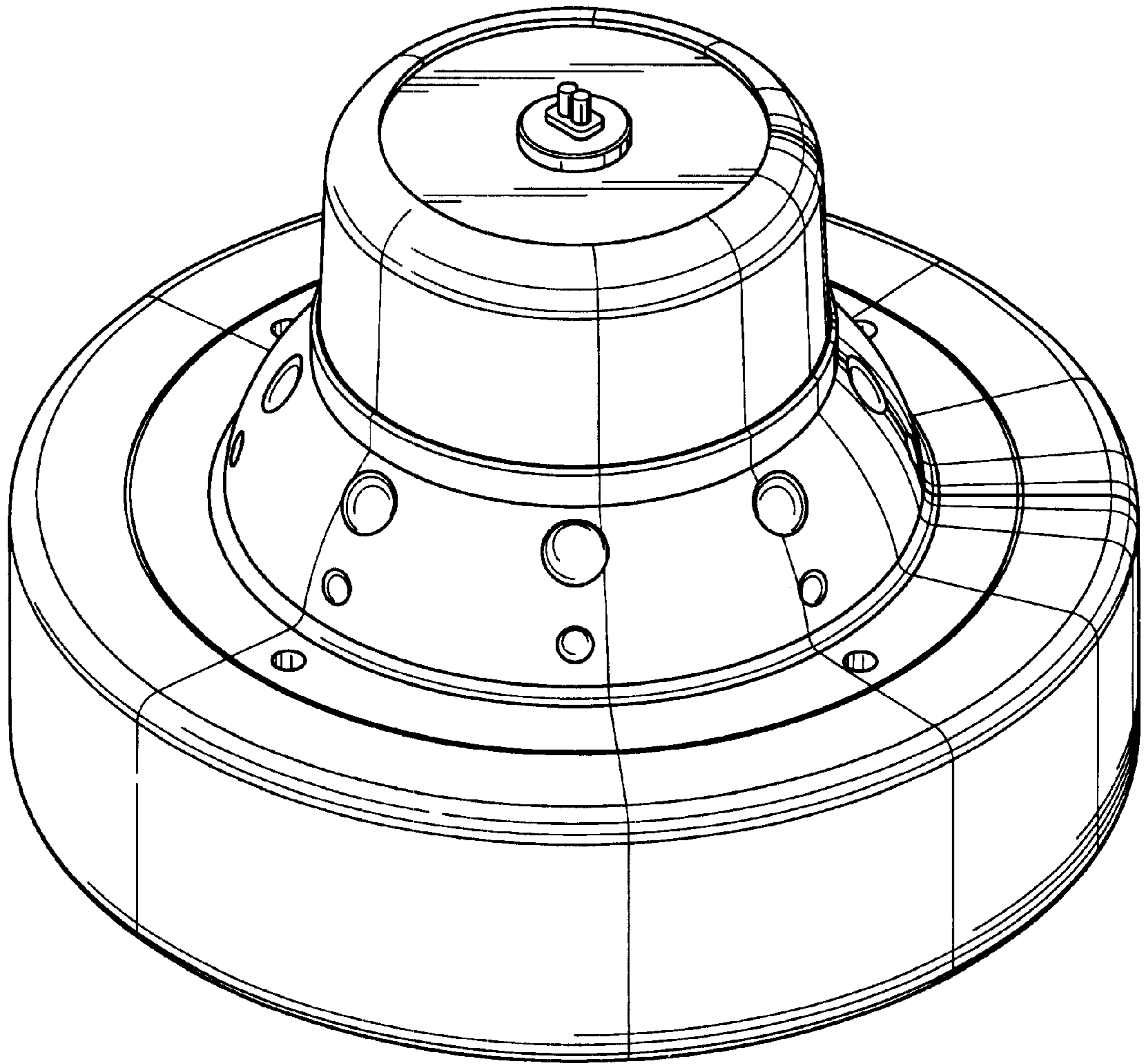


FIG. 1

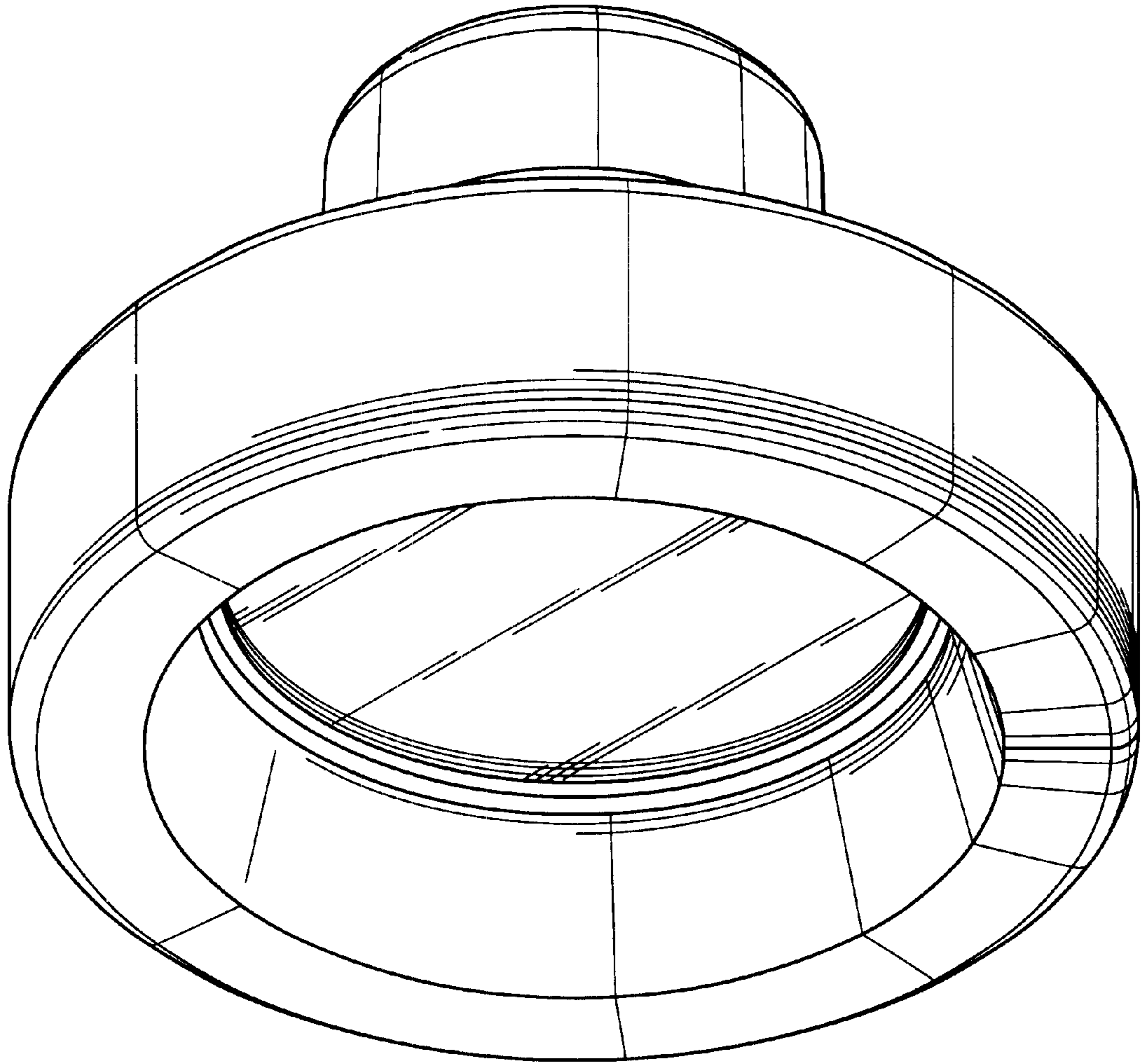


FIG. 2

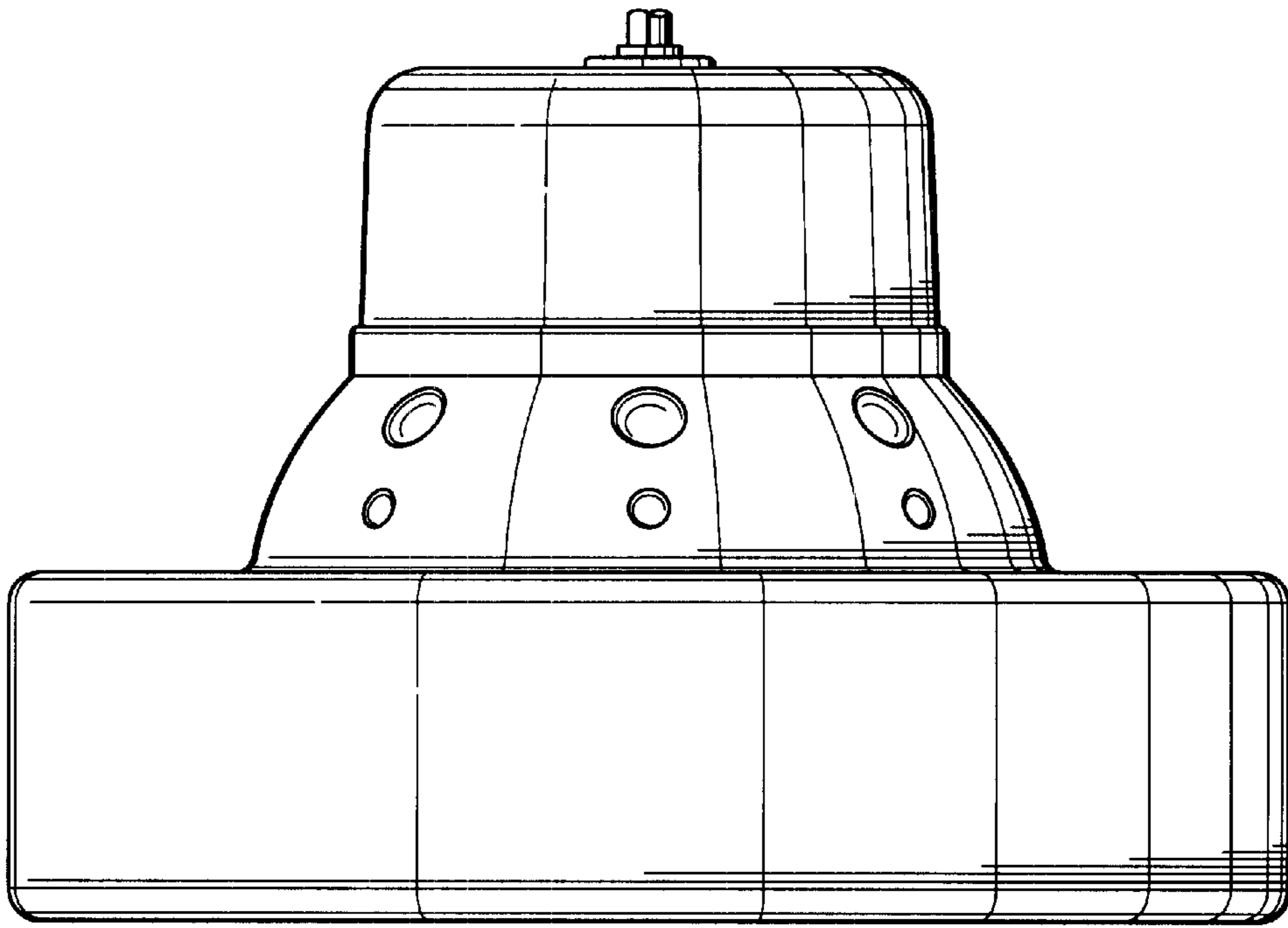


FIG. 3

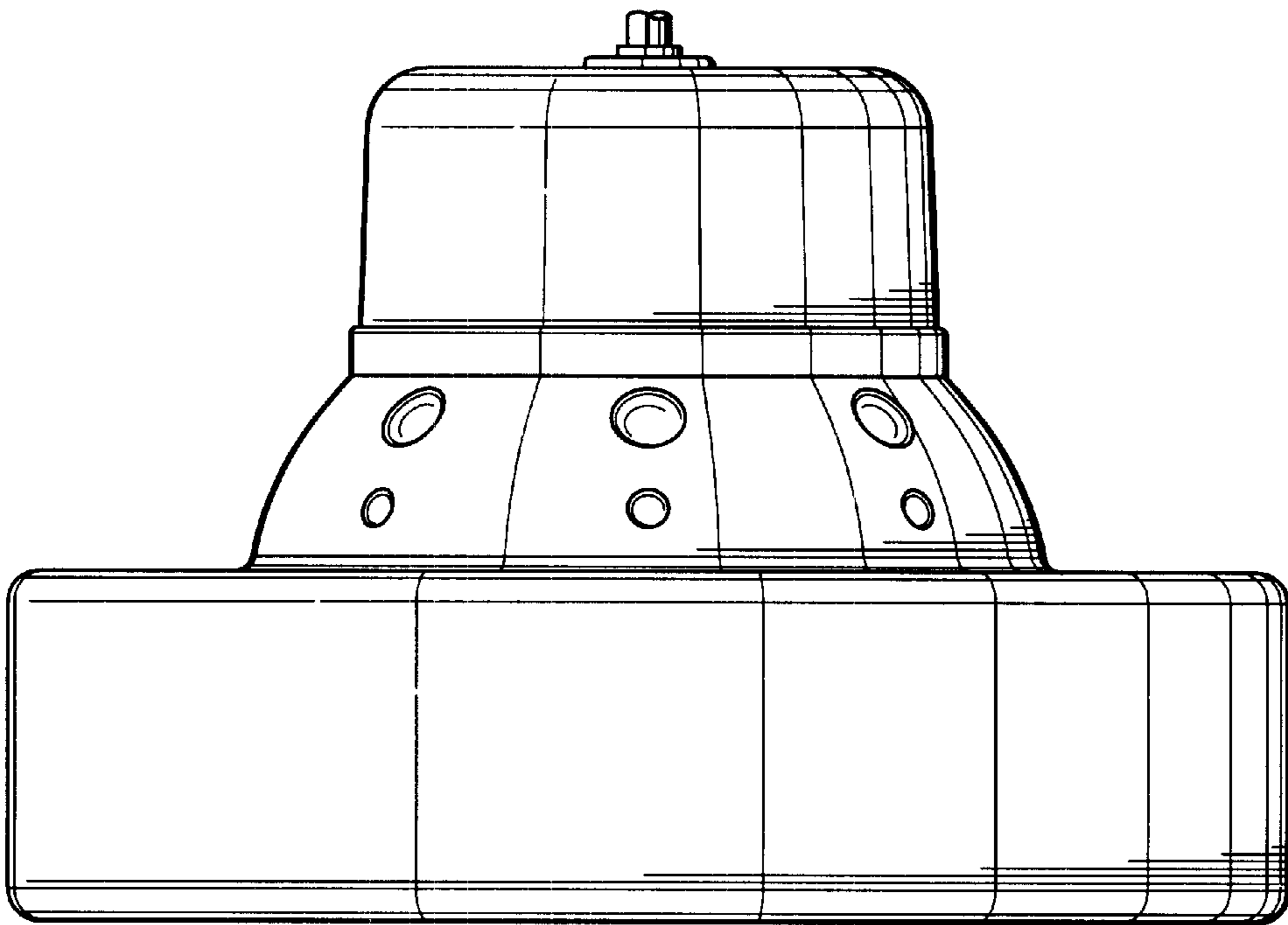


FIG. 4

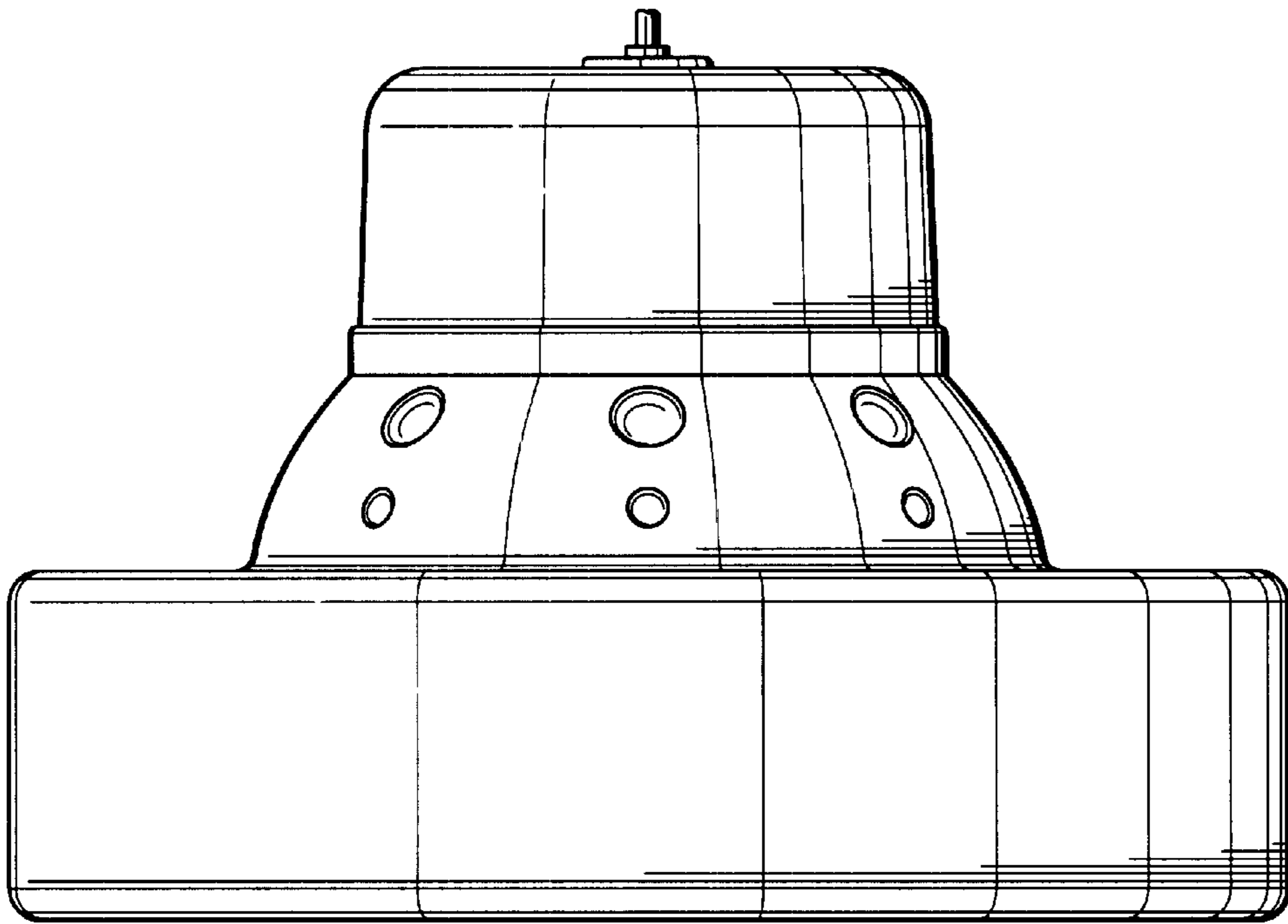


FIG. 5

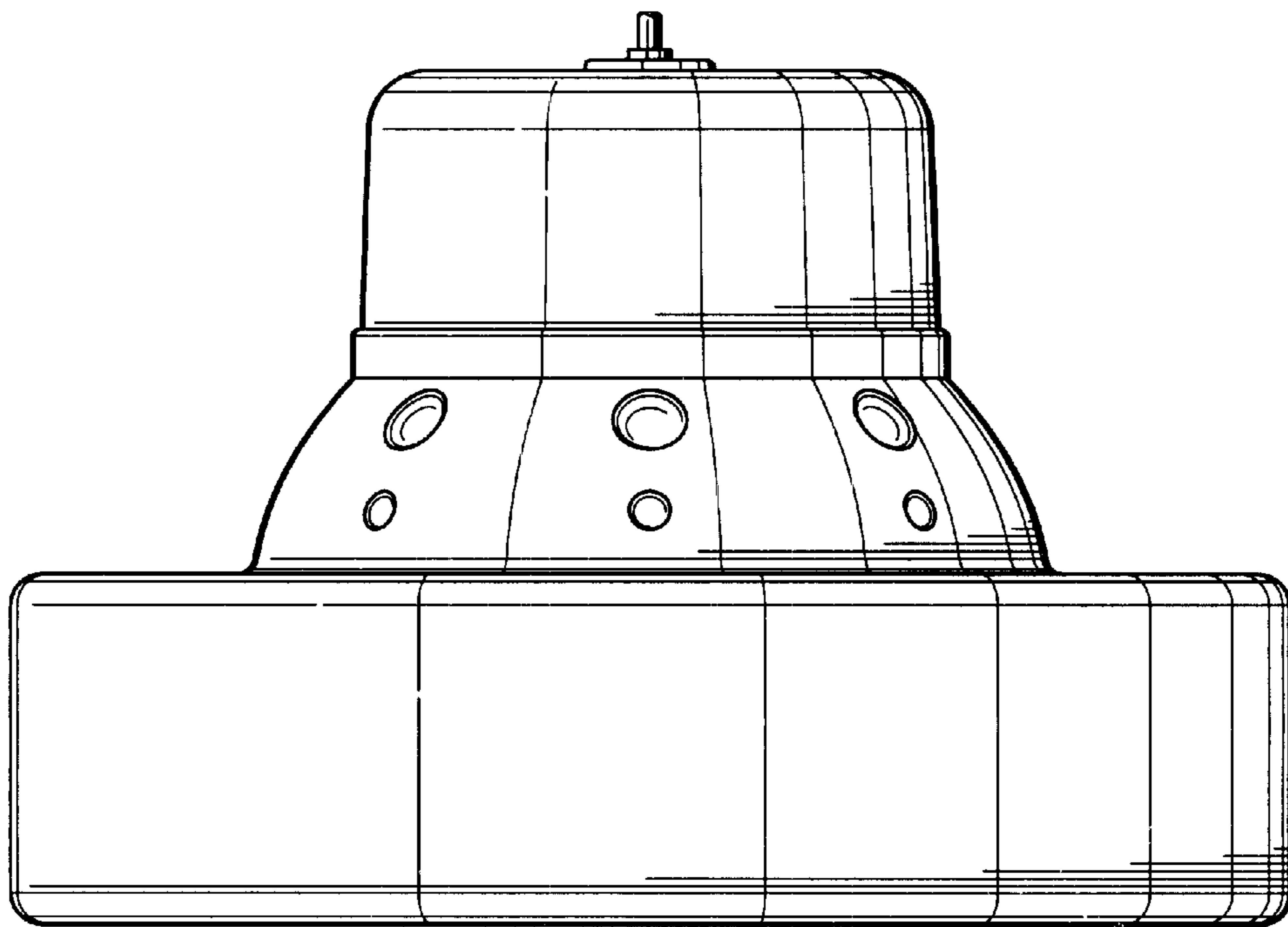


FIG. 6

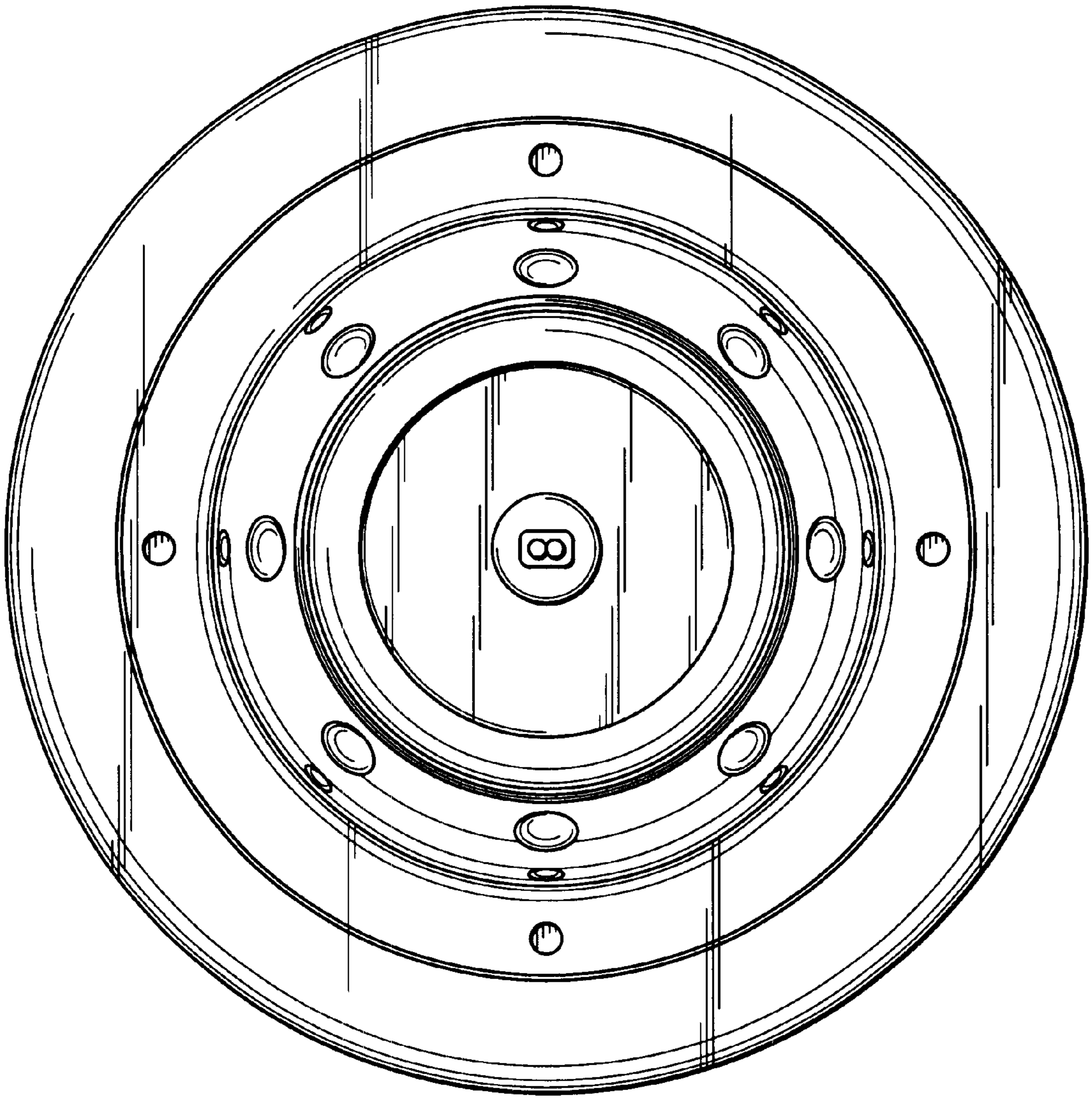


FIG. 7

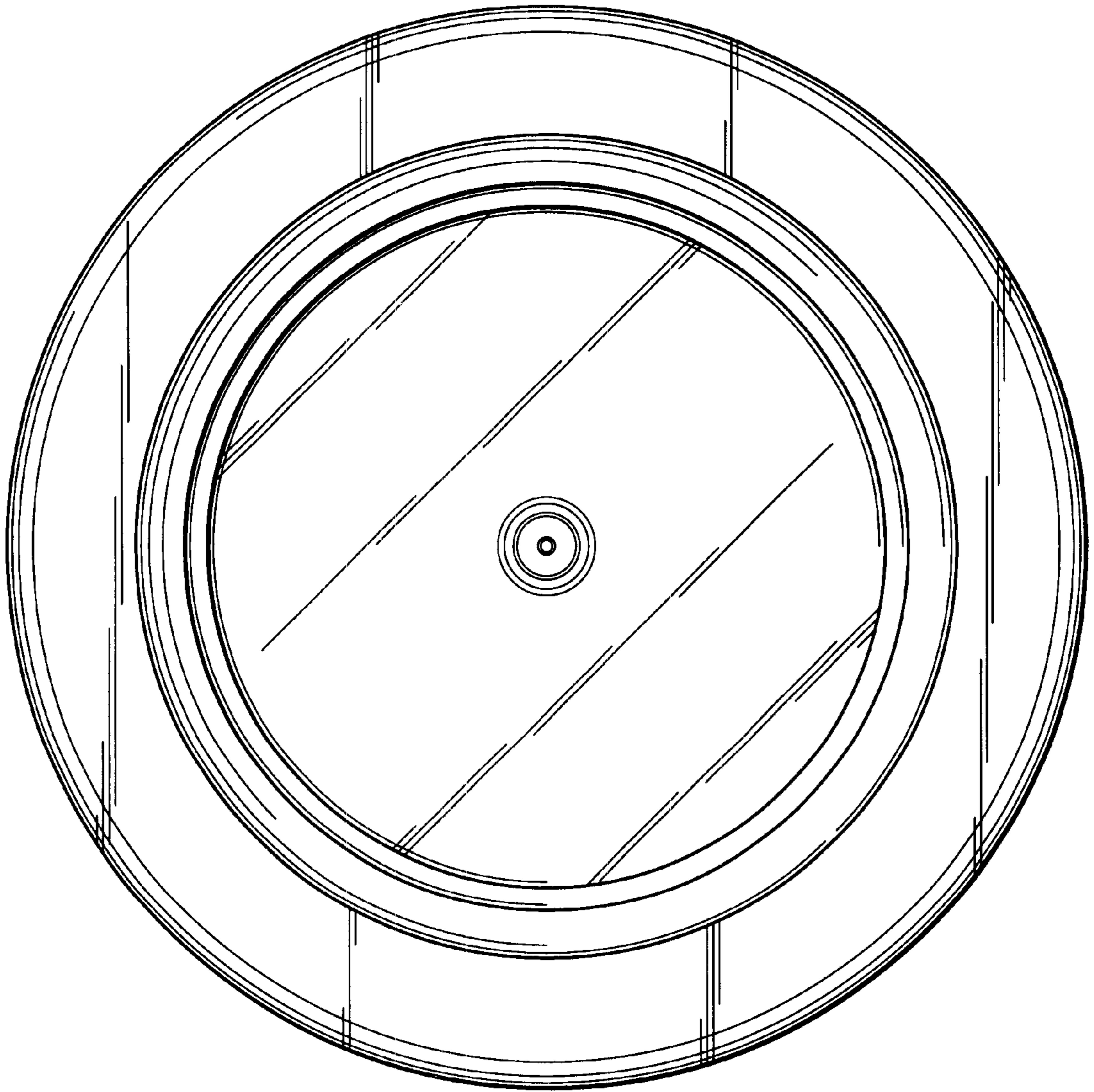


FIG. 8