



US00D466637S

(12) **United States Design Patent**  
**Gisser**

(10) **Patent No.:** **US D466,637 S**

(45) **Date of Patent:** **\*\* Dec. 3, 2002**

(54) **SPOTLIGHT**

D441,474 S \* 5/2001 Poon ..... D26/45  
D460,201 S \* 7/2002 Krieger et al. .... D26/45

(75) Inventor: **Hyman Gisser**, Willowdale (CA)

\* cited by examiner

(73) Assignee: **Superex Canada Ltd.**, Willowdale (CA)

*Primary Examiner*—Marcus A. Jackson

(\*\*) Term: **14 Years**

(74) *Attorney, Agent, or Firm*—Frost Brown Todd LLC

(21) Appl. No.: **29/154,739**

(22) Filed: **Jan. 28, 2002**

(57) **CLAIM**

The ornamental design for a spotlight, as shown and described.

(30) **Foreign Application Priority Data**

**DESCRIPTION**

Nov. 29, 2001 (CA) ..... 2001-2852

FIG. 1 is a perspective view of the present invention.

(51) **LOC (7) Cl.** ..... **26-02**

FIG. 2 is a side view of the present invention.

(52) **U.S. Cl.** ..... **D26/45**

FIG. 3 is a side view opposite to that of FIG. 2.

(58) **Field of Search** ..... D26/37-50; 362/157,  
362/158, 171, 172, 173, 183-208

FIG. 4 is a front view of the present invention.

FIG. 5 is a rear view opposite to that of FIG. 4.

FIG. 6 is a top view of the present invention; and,

FIG. 7 is a bottom view of the present invention.

(56) **References Cited**

**U.S. PATENT DOCUMENTS**

D431,662 S \* 10/2000 Krieger et al. .... D26/45

**1 Claim, 6 Drawing Sheets**

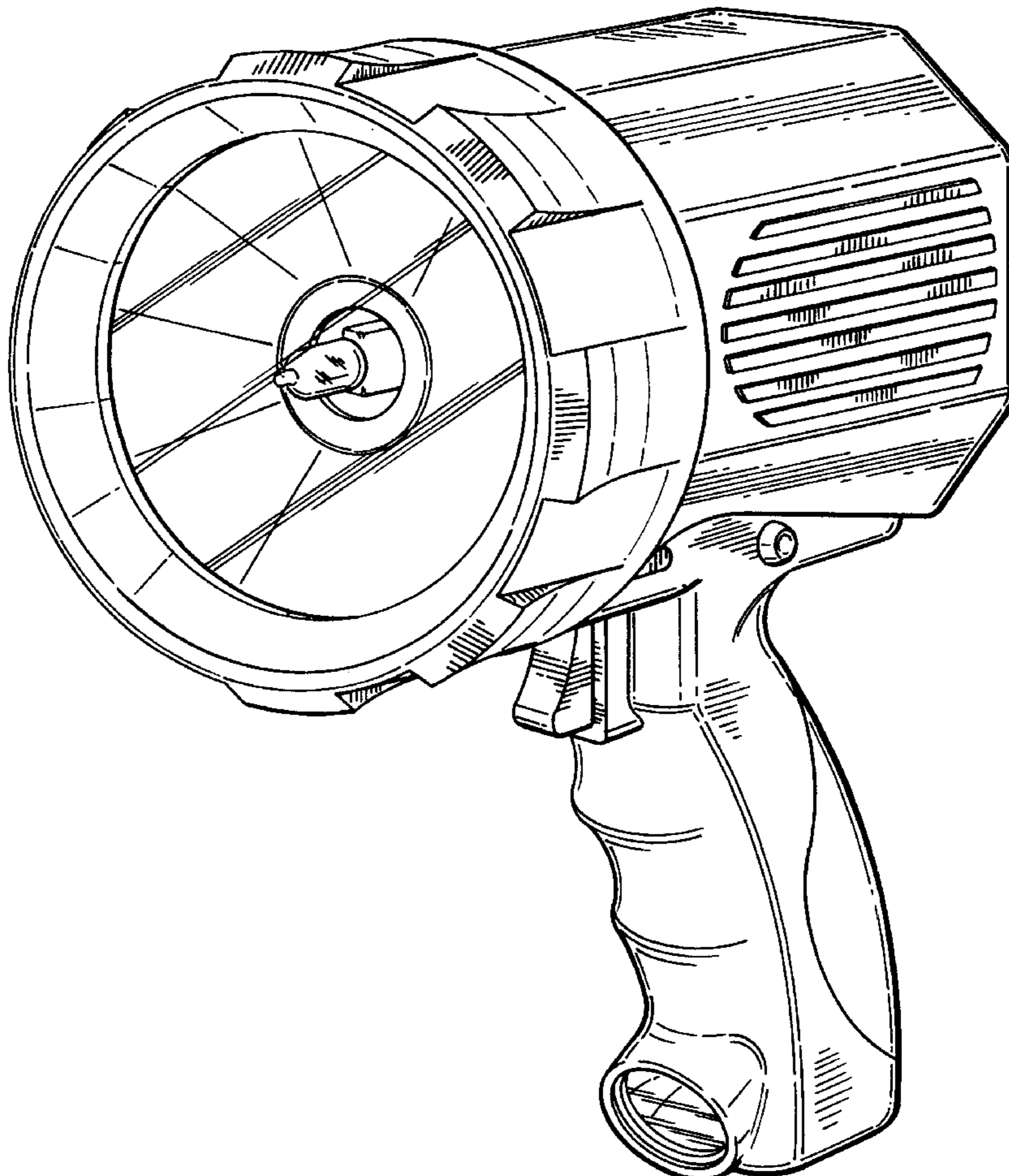


FIG. 1.

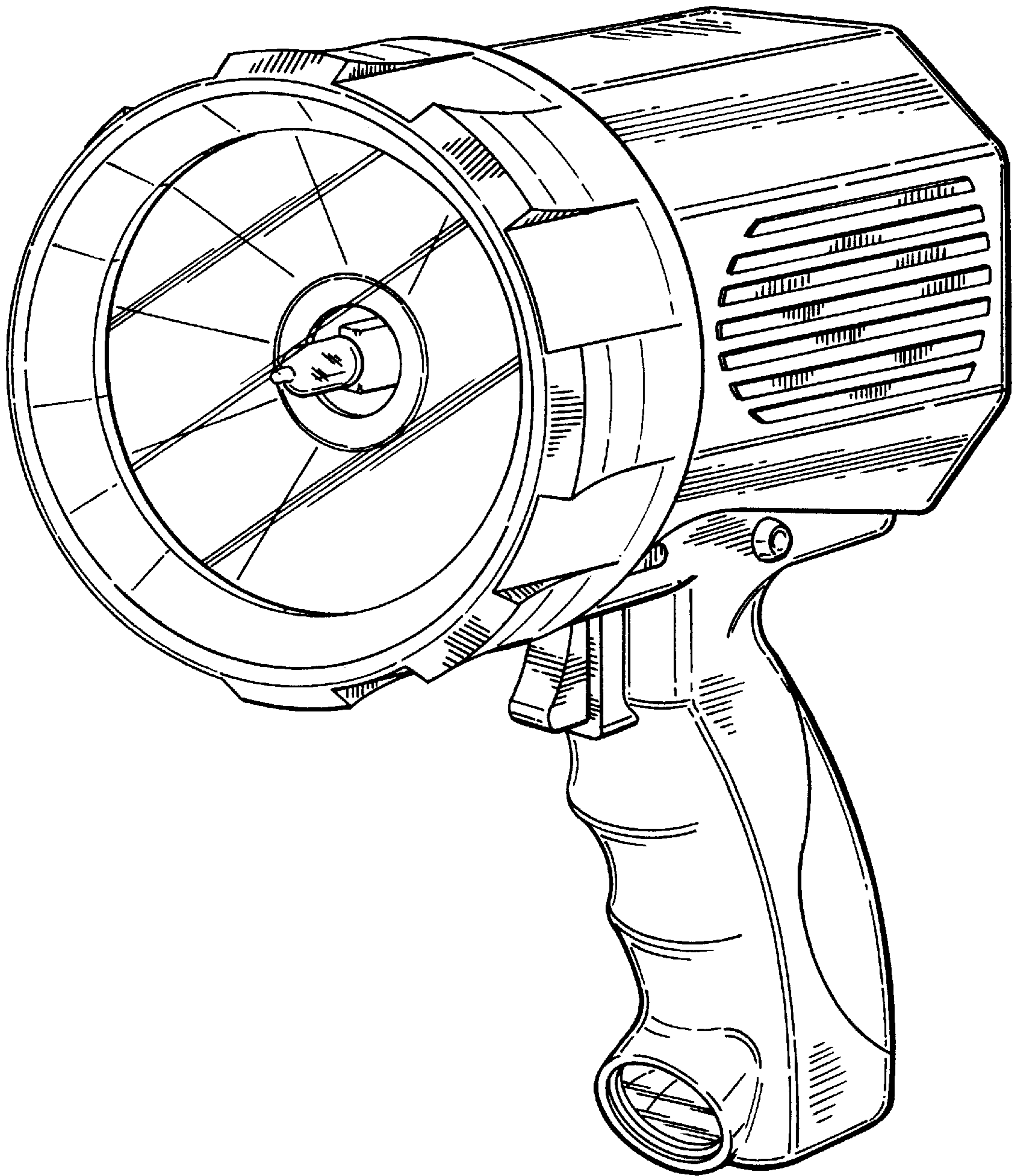


FIG. 2.

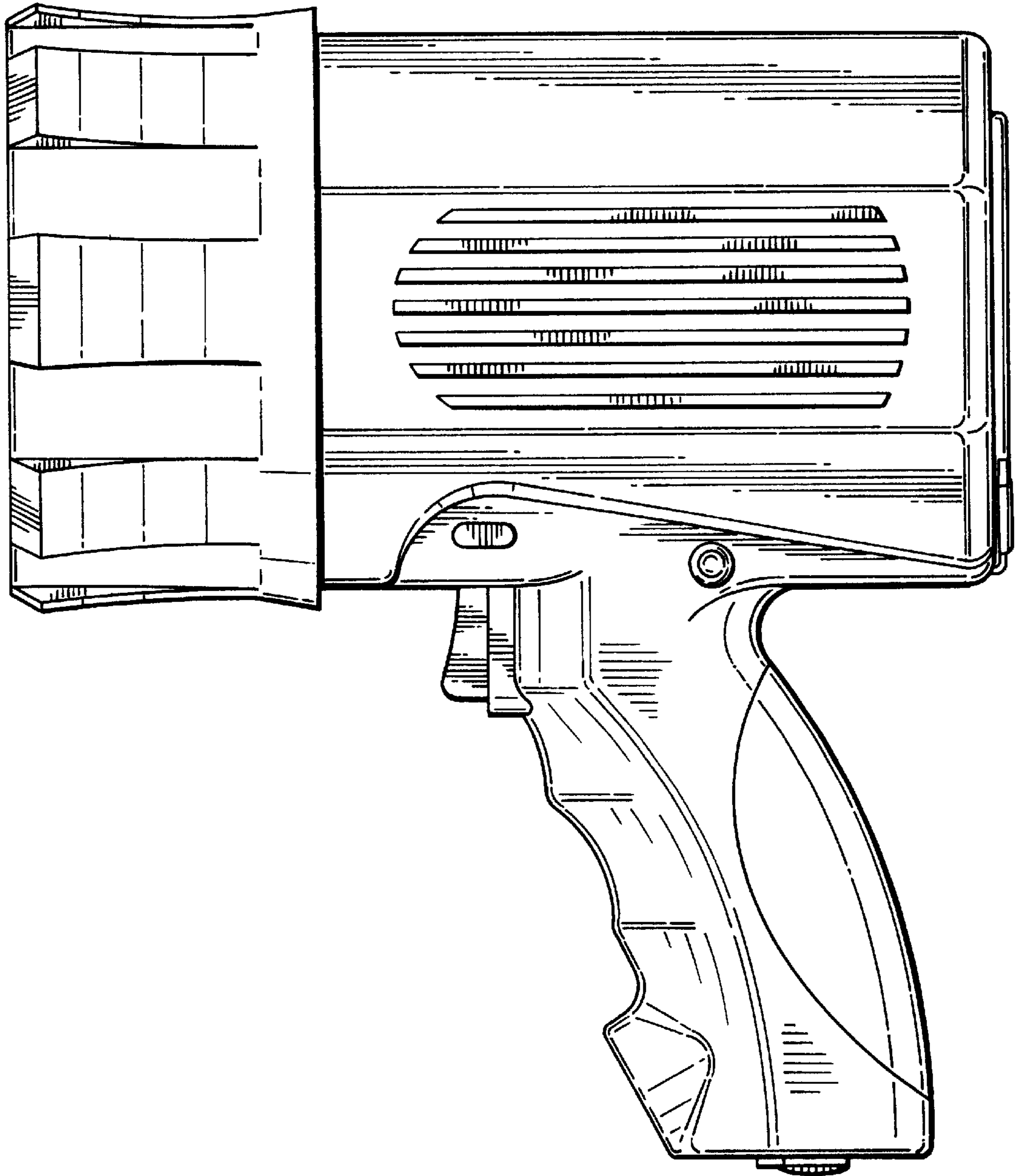


FIG. 3.

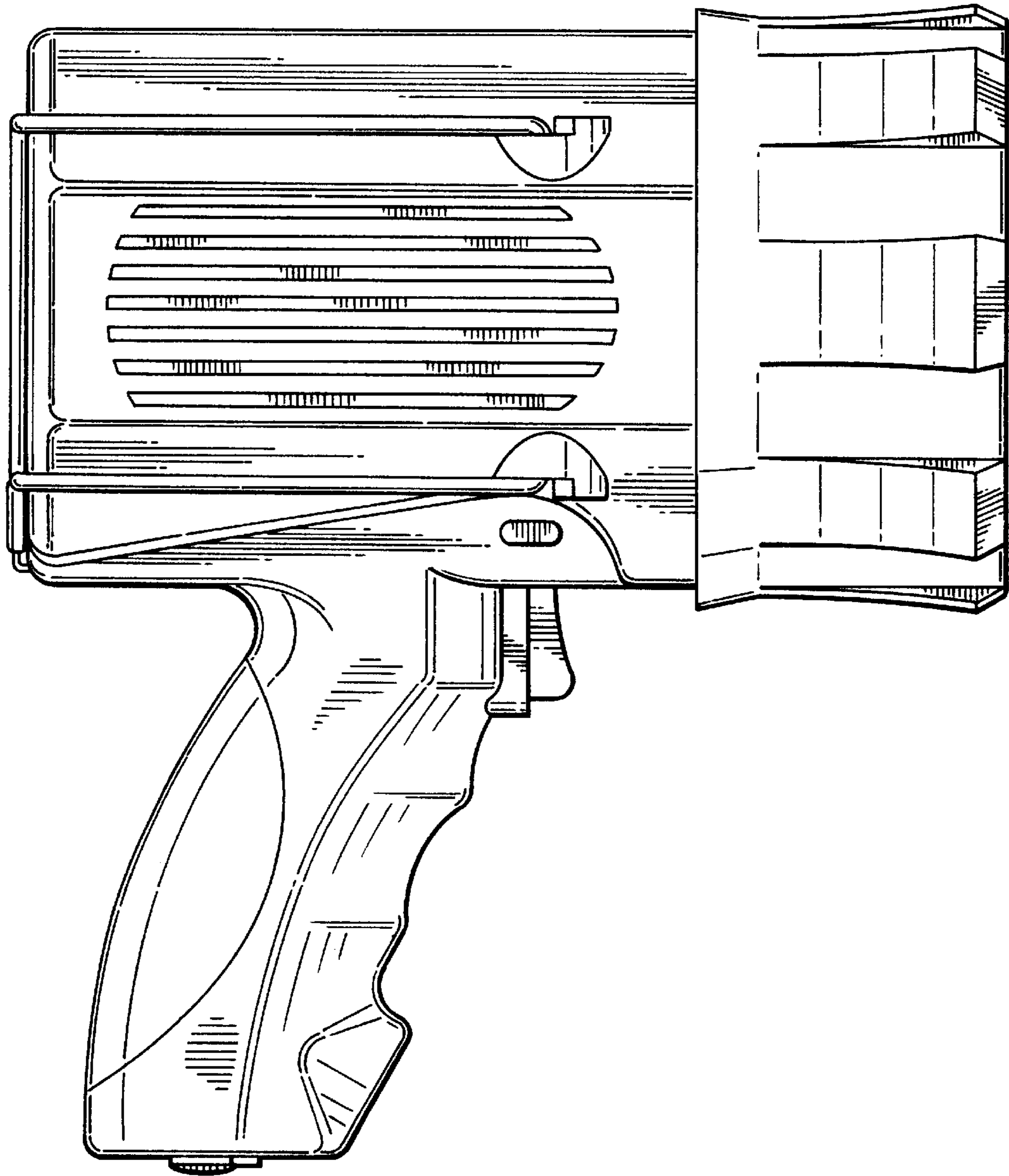




FIG. 4.

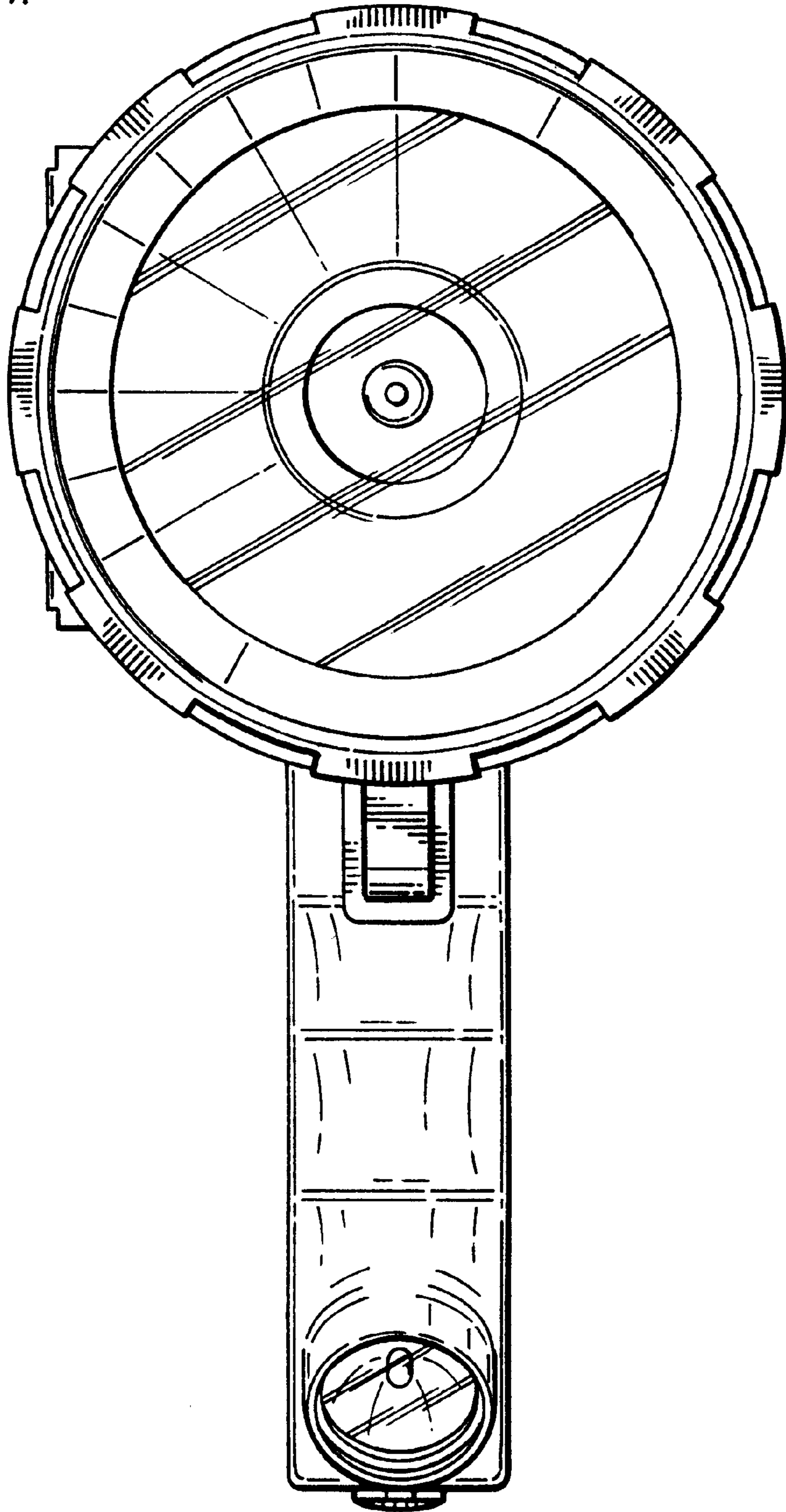


FIG. 5.

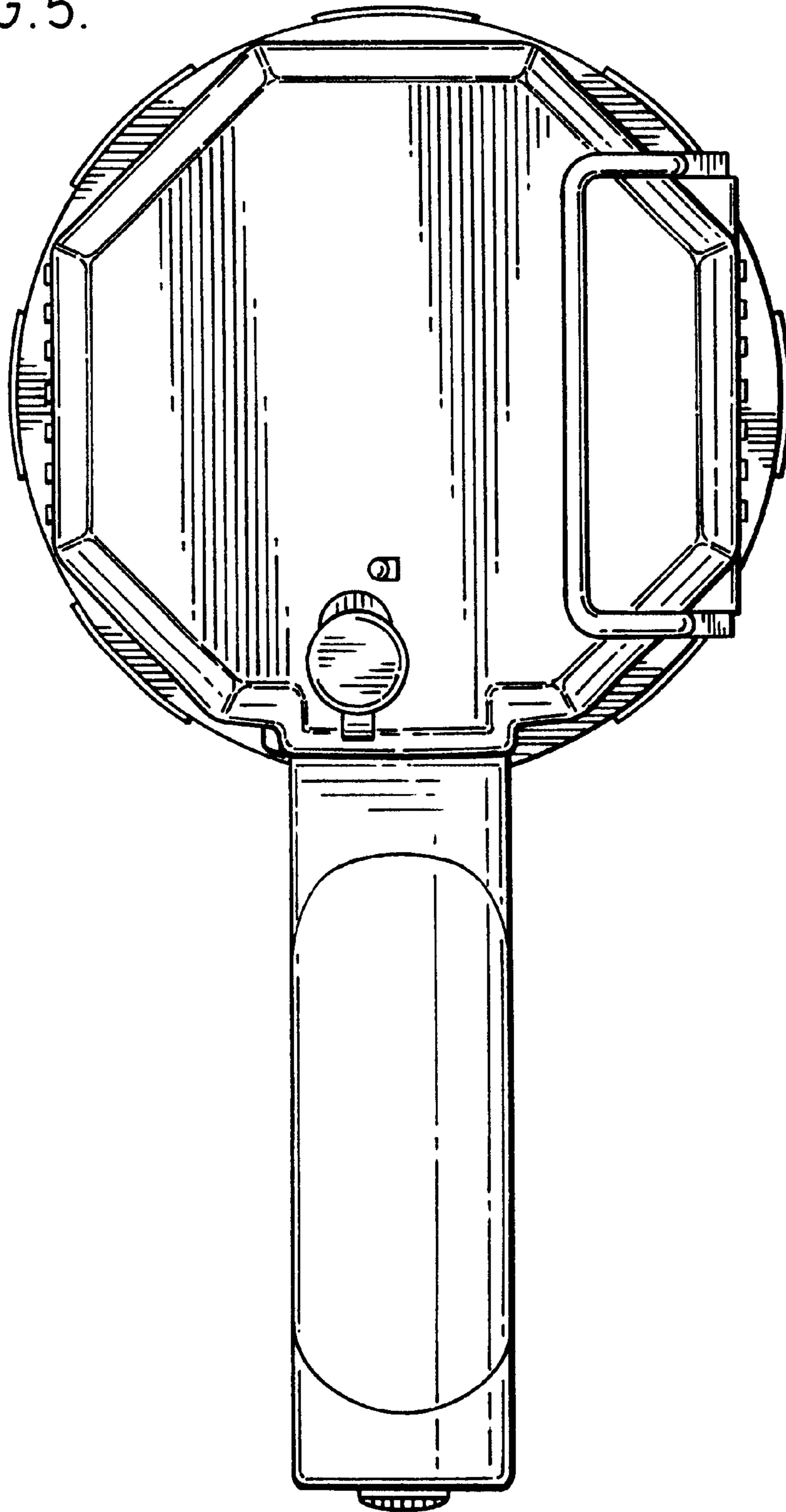


FIG. 6.

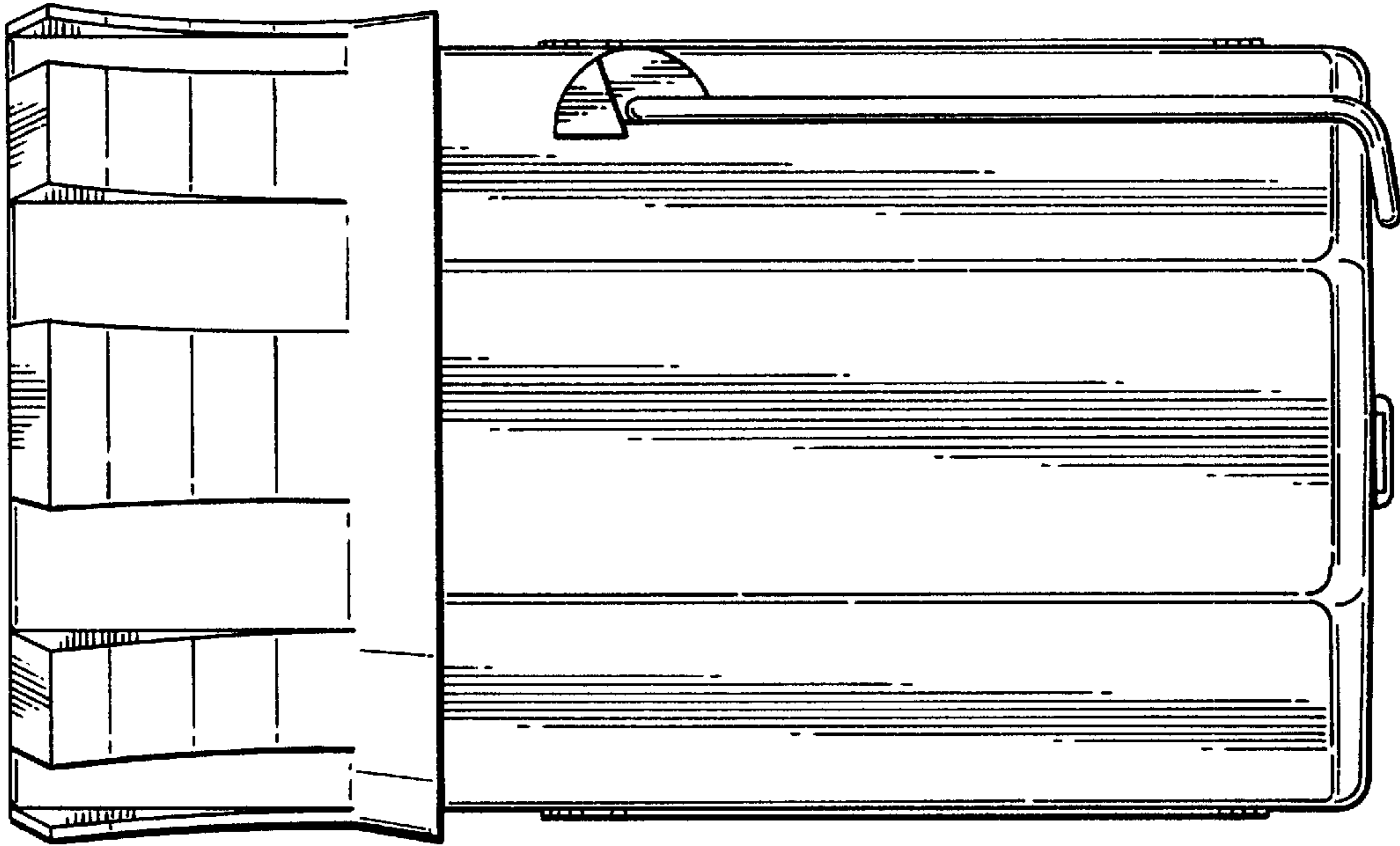


FIG. 7.

