



US00D466627S

(12) **United States Design Patent**
Morton et al.

(10) **Patent No.:** **US D466,627 S**

(45) **Date of Patent:** **** Dec. 3, 2002**

(54) **WINDOW FRAME EXTRUSION**

(75) Inventors: **Philip G. Morton**, Germantown, OH (US); **Michael T. Chaney**, Middletown, OH (US)

(73) Assignee: **Dayton Technologies, L.L.C.**, Monroe, OH (US)

(**) Term: **14 Years**

(21) Appl. No.: **29/157,134**

(22) Filed: **Mar. 15, 2002**

(51) **LOC (7) Cl.** **25-01**

(52) **U.S. Cl.** **D25/124**

(58) **Field of Search** D25/124; 52/204.5, 52/204.1, 204.51, 230.3, 205.1, 202, 730.5, 731, 738, 732; 49/DIG. 2, 504, 505, 404, 413, 407-408, 419

(56) **References Cited**

U.S. PATENT DOCUMENTS

D454,212 S * 3/2002 Ballard et al. D25/124

* cited by examiner

Primary Examiner—Doris Clark

(74) *Attorney, Agent, or Firm*—Jacox, Meckstroth & Jenkins

(57) **CLAIM**

The ornamental design of a window component extrusion, as shown and described.

DESCRIPTION

FIG. 1 is a perspective view of a window component extrusion, showing our new design, with a middle portion broken away to disclose indefinite length; and,

FIG. 2 is an end view thereof, the opposite end view being a mirror image.

1 Claim, 1 Drawing Sheet

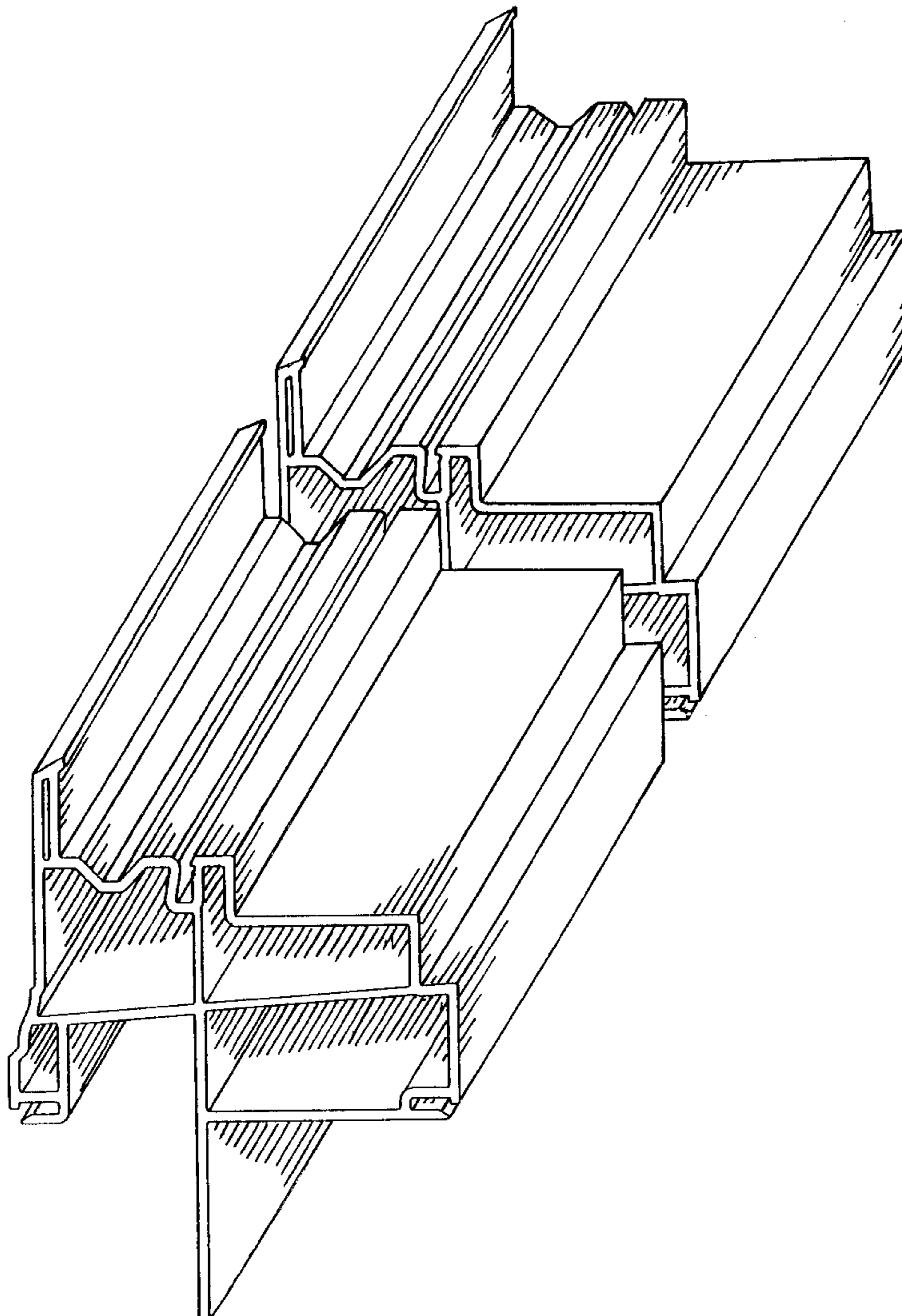


FIG-1

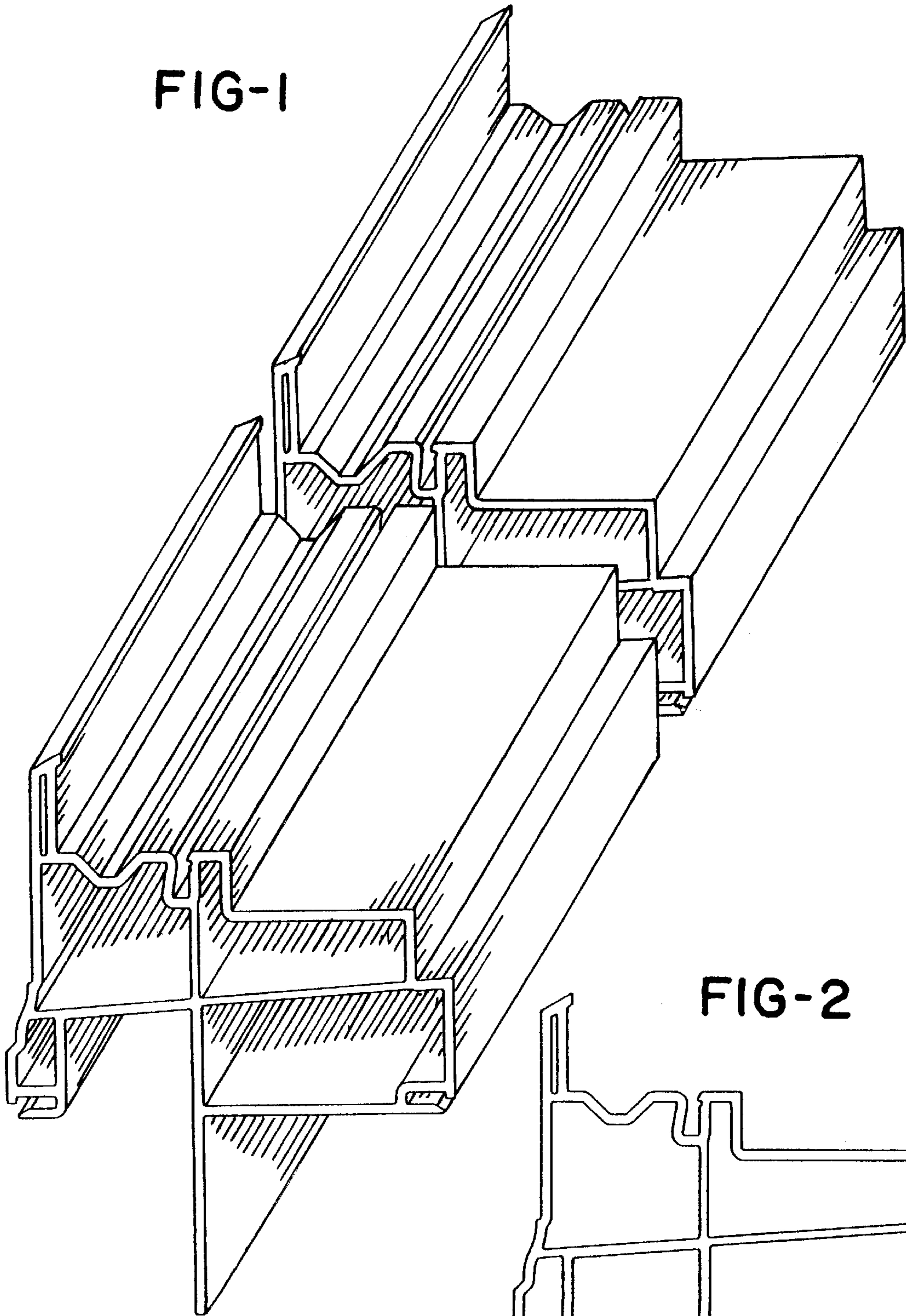


FIG-2

