

US00D466622S

(12) **United States Design Patent**  
**Ballard et al.**

(10) **Patent No.:** **US D466,622 S**

(45) **Date of Patent:** **\*\* Dec. 3, 2002**

(54) **WINDOW COMPONENT EXTRUSION**

(75) Inventors: **Christopher R. Ballard**, Beavercreek, OH (US); **Jonathan C. Hauberg**, Beavercreek, OH (US)

(73) Assignee: **Dayton Technologies, L.L.C.**, Monroe, OH (US)

(\*\*) Term: **14 Years**

(21) Appl. No.: **29/147,191**

(22) Filed: **Aug. 24, 2001**

(51) **LOC (7) Cl.** ..... **25-01**

(52) **U.S. Cl.** ..... **D25/124**

(58) **Field of Search** ..... D25/121, 124, D25/125; 52/204.1

(56) **References Cited**

**U.S. PATENT DOCUMENTS**

D313,655 S \* 1/1991 Westphal et al. .... D25/124

\* cited by examiner

*Primary Examiner*—Doris Clark

(74) *Attorney, Agent, or Firm*—Jacox, Meckstroth & Jenkins

(57) **CLAIM**

The ornamental design of a window component extrusion, as shown and described.

**DESCRIPTION**

FIG. 1 is a perspective view of a window component extrusion, showing our new design, with a middle portion broken away to disclose indefinite length; and,

FIG. 2 is an end view thereof, the opposite end view being a mirror image.

**1 Claim, 1 Drawing Sheet**

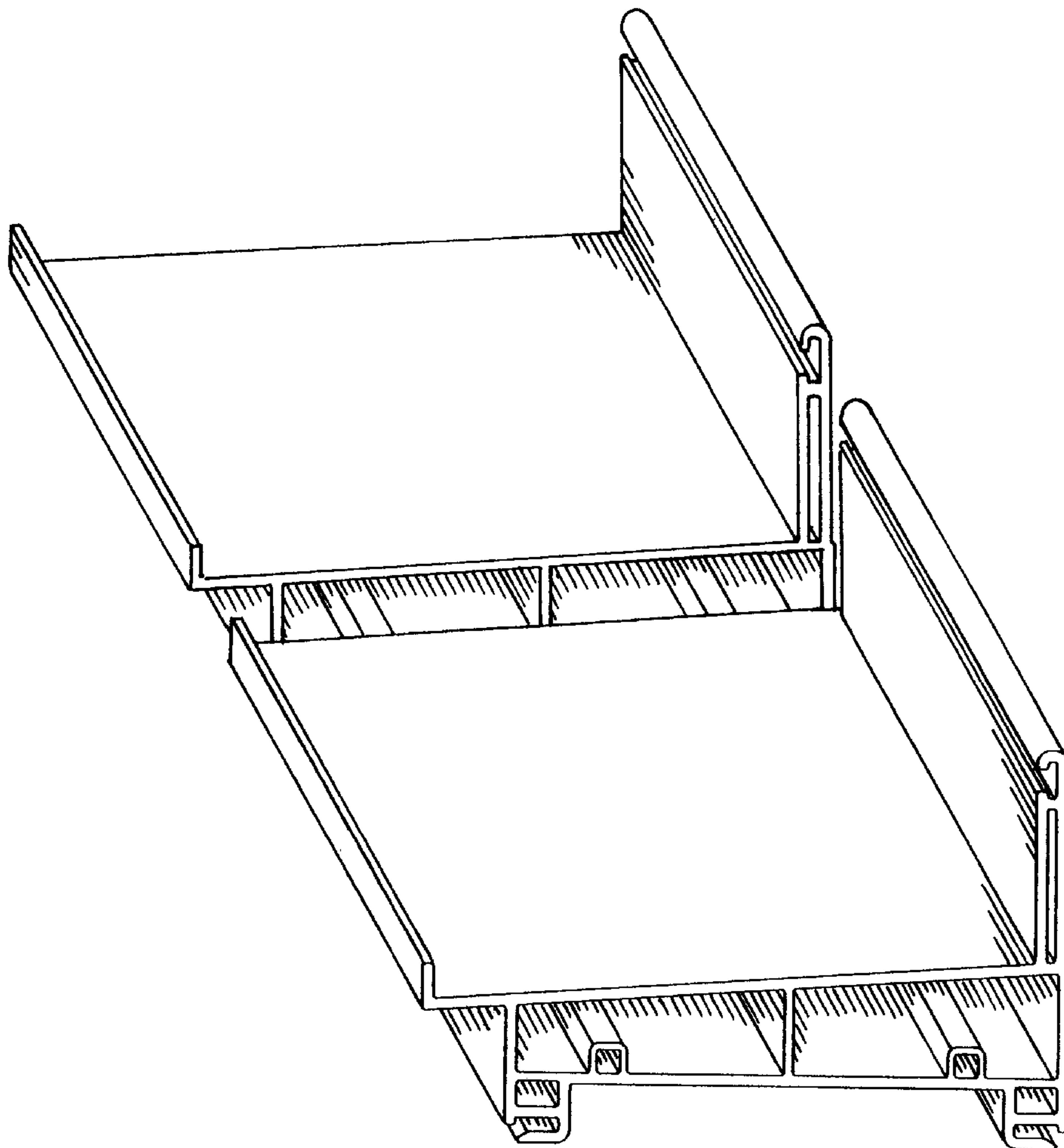


FIG-1

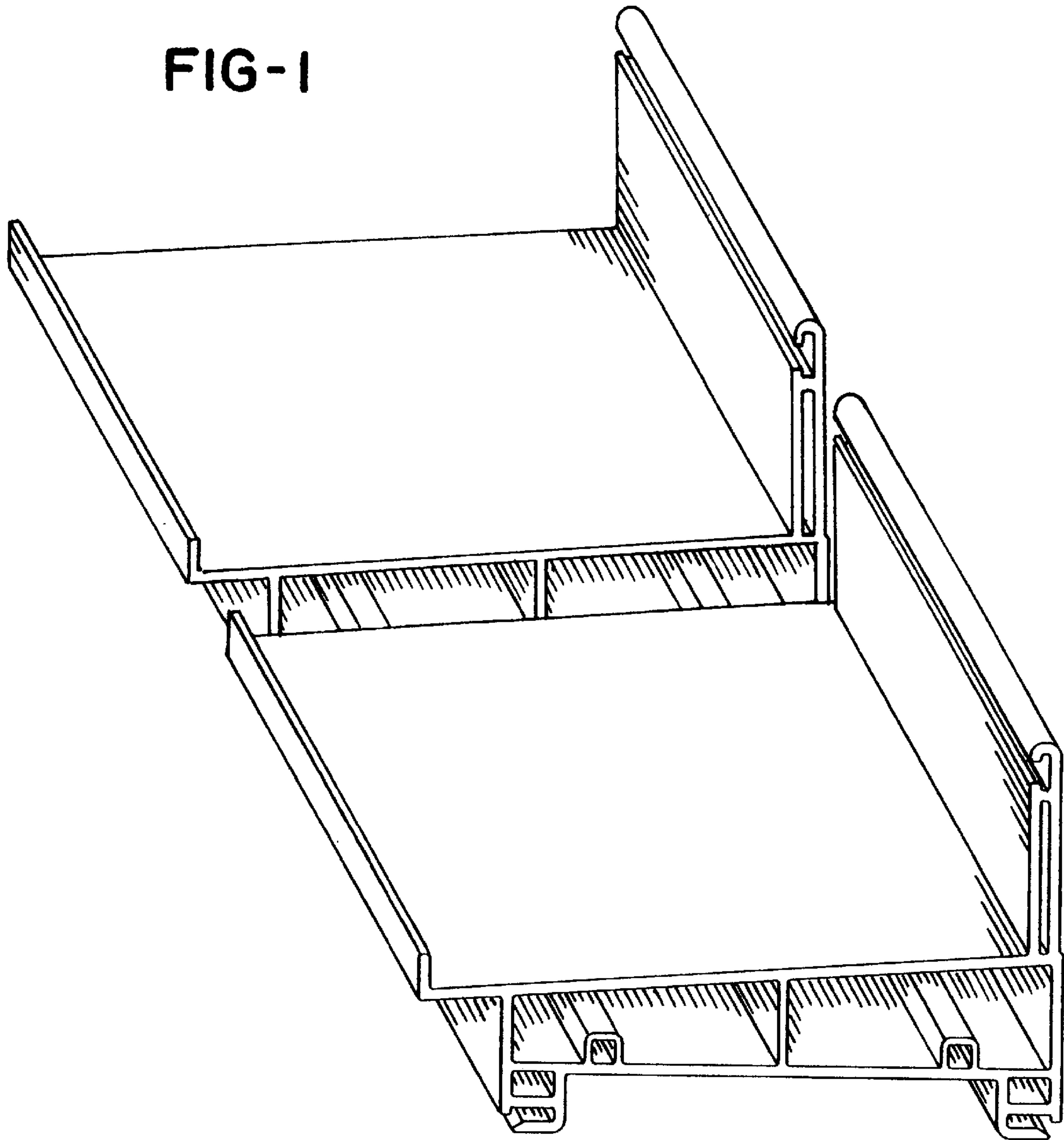


FIG-2

