



US00D466609S

(12) **United States Design Patent**
Glossop

(10) **Patent No.:** **US D466,609 S**

(45) **Date of Patent:** **** Dec. 3, 2002**

(54) **TRACKING DEVICE**

(76) Inventor: **Neil David Glossop**, 44 St. Joseph Street, Suite 806, Toronto ON (CA), M4Y 2W4

(**) Term: **14 Years**

(21) Appl. No.: **29/139,362**

(22) Filed: **Mar. 30, 2001**

(51) **LOC (7) Cl.** **24-02**

(52) **U.S. Cl.** **D24/140**

(58) **Field of Search** D24/140, 186;
600/429, 425, 424, 427; 606/130, 97, 90,
54

(56) **References Cited**

U.S. PATENT DOCUMENTS

- 5,062,844 A * 11/1991 Jamison et al. 606/54
- 5,275,598 A * 1/1994 Cook 606/54
- 5,383,454 A * 1/1995 Bucholz 606/130
- 6,374,135 B1 * 4/2002 Bucholz 600/427

OTHER PUBLICATIONS

Beute, G.N., et al. "Case Study of the Use of the Easy Guide Neuro Image Guided Surgery Prototype System During Resection of a Pineal Region Meningioma", Philips Medical Systems.

Northern Digital Inc. Brochure Entitled "NDI's Portable Optical Localizer", published 1996.

"BrainLAB VectorVision" Brochure published by BrainLAB GmbH.

"Stealth Station Image Guided Surgery System" Brochure published by Sofamor Danek in 1996.

Medivison Advanced Support Systems Brochure Entitled "Reach your Target . . ." published by Medivison in 1996.

Aesculap Brochure Entitled "SPOCS Surgical Planning and Orientation Computer System".

Elekta Brochure Entitled "The Freehand Viewing Wand" published in Jun., 1996.

Philips Brochure Entitled "EasyGuide Neuro Image Guided Surgery System" published in 1995.

Zeiss Brochure Entitled "SMN Stereotactic System" published in 1996.

* cited by examiner

Primary Examiner—Ian Simmons

(74) *Attorney, Agent, or Firm*—Riches, McKenzie & Herbert LLP

(57) **CLAIM**

I claim the ornamental design for a tracking device, as shown.

DESCRIPTION

FIG. 1—is a top and first side perspective view of a first embodiment of the tracking device showing minute designs.

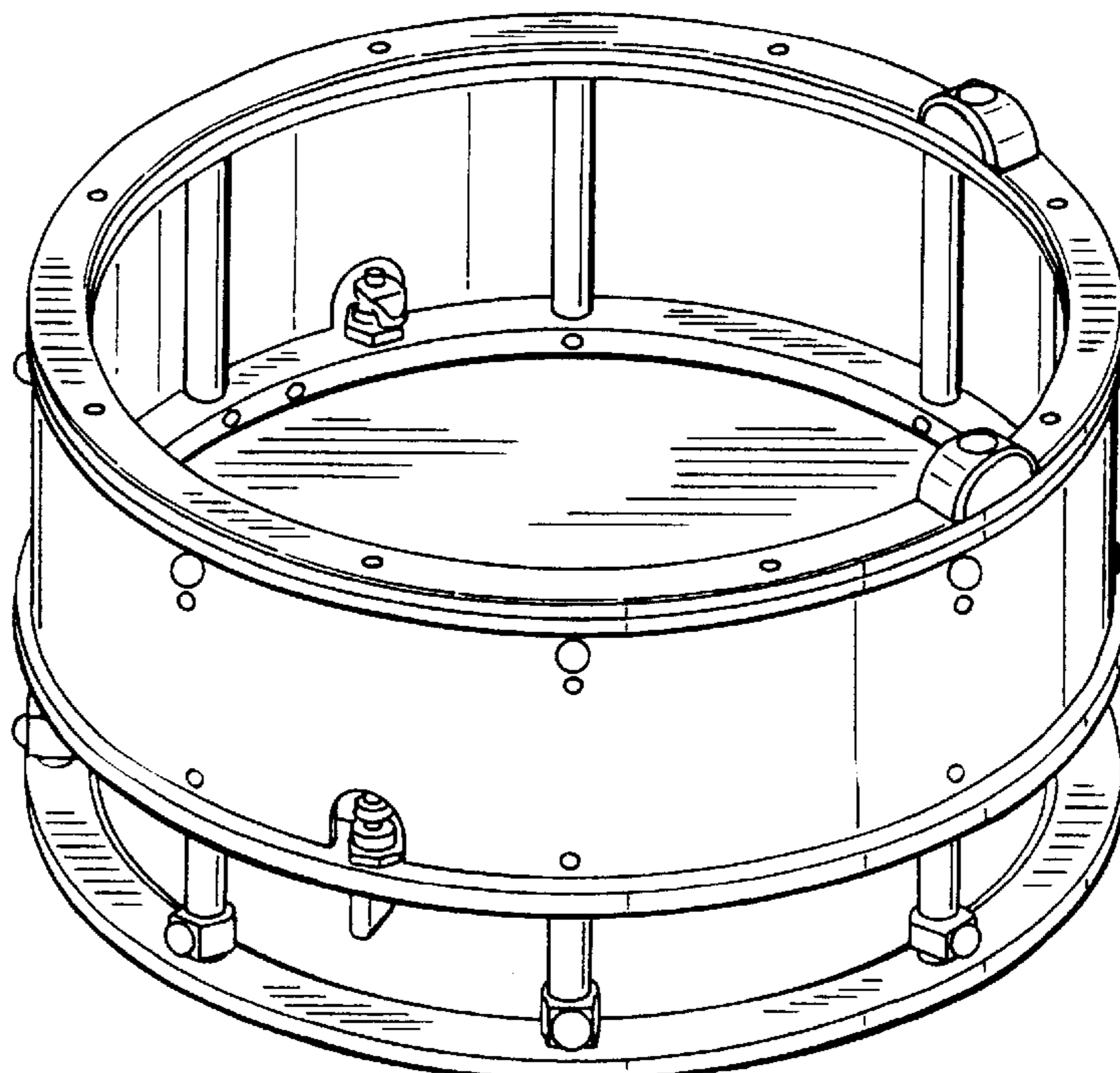
FIG. 2—is a top plan view thereof.

FIG. 3—is a first side elevational view thereof.

FIG. 4—is a second side elevational view thereof; and,

FIG. 5—is a bottom plan view thereof.

1 Claim, 2 Drawing Sheets



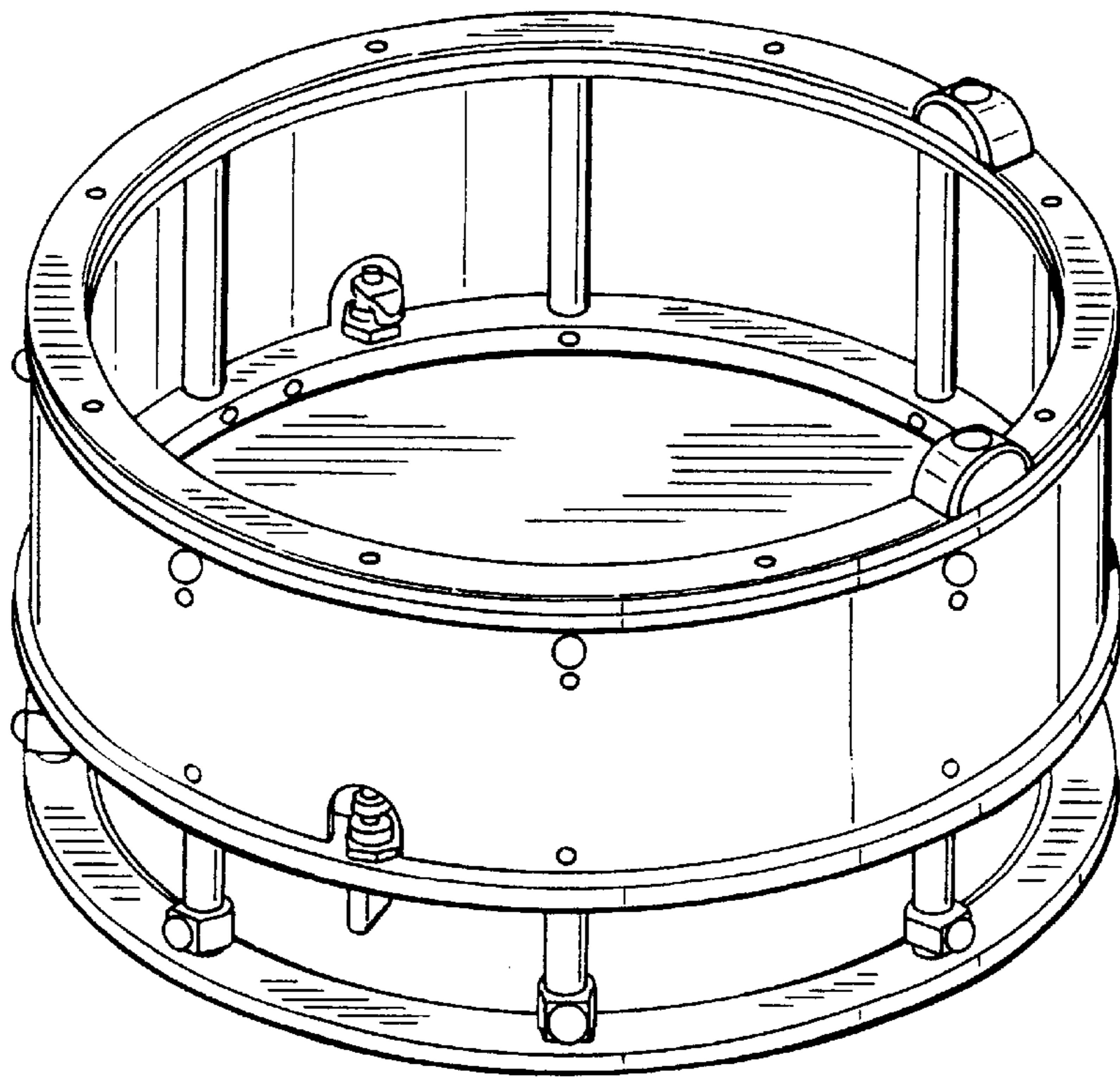


FIG. 1.

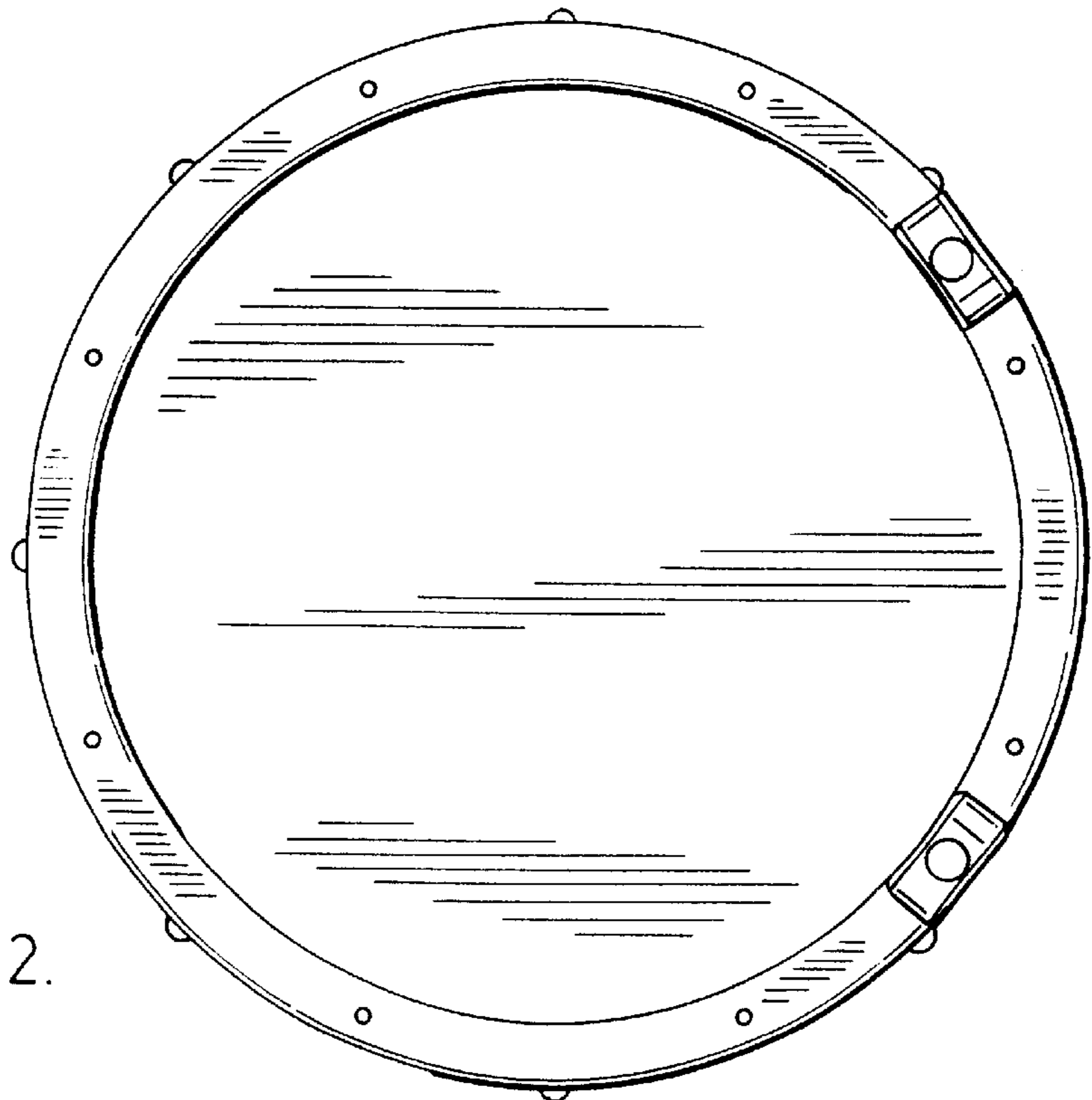


FIG. 2.

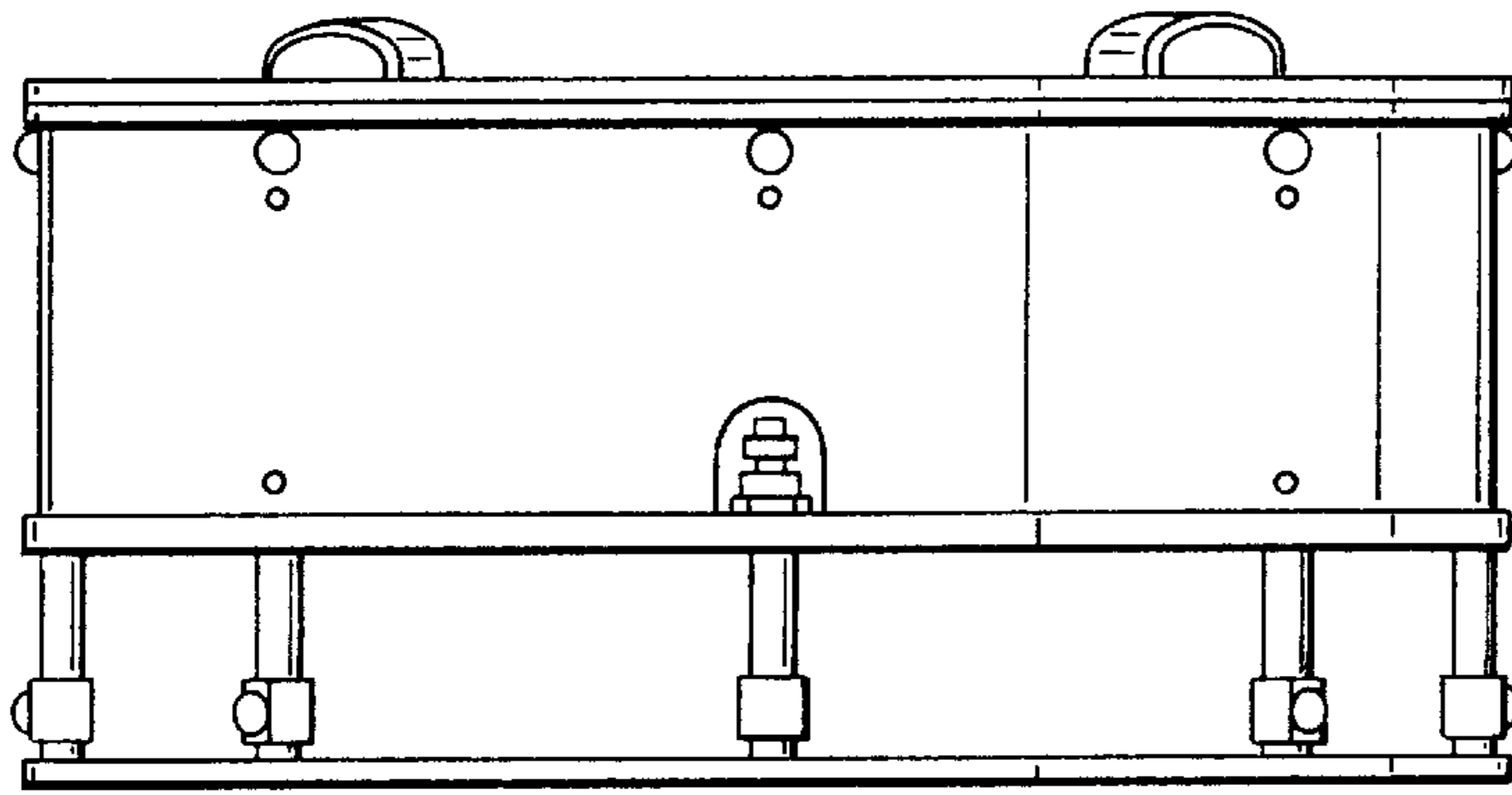


FIG. 3.

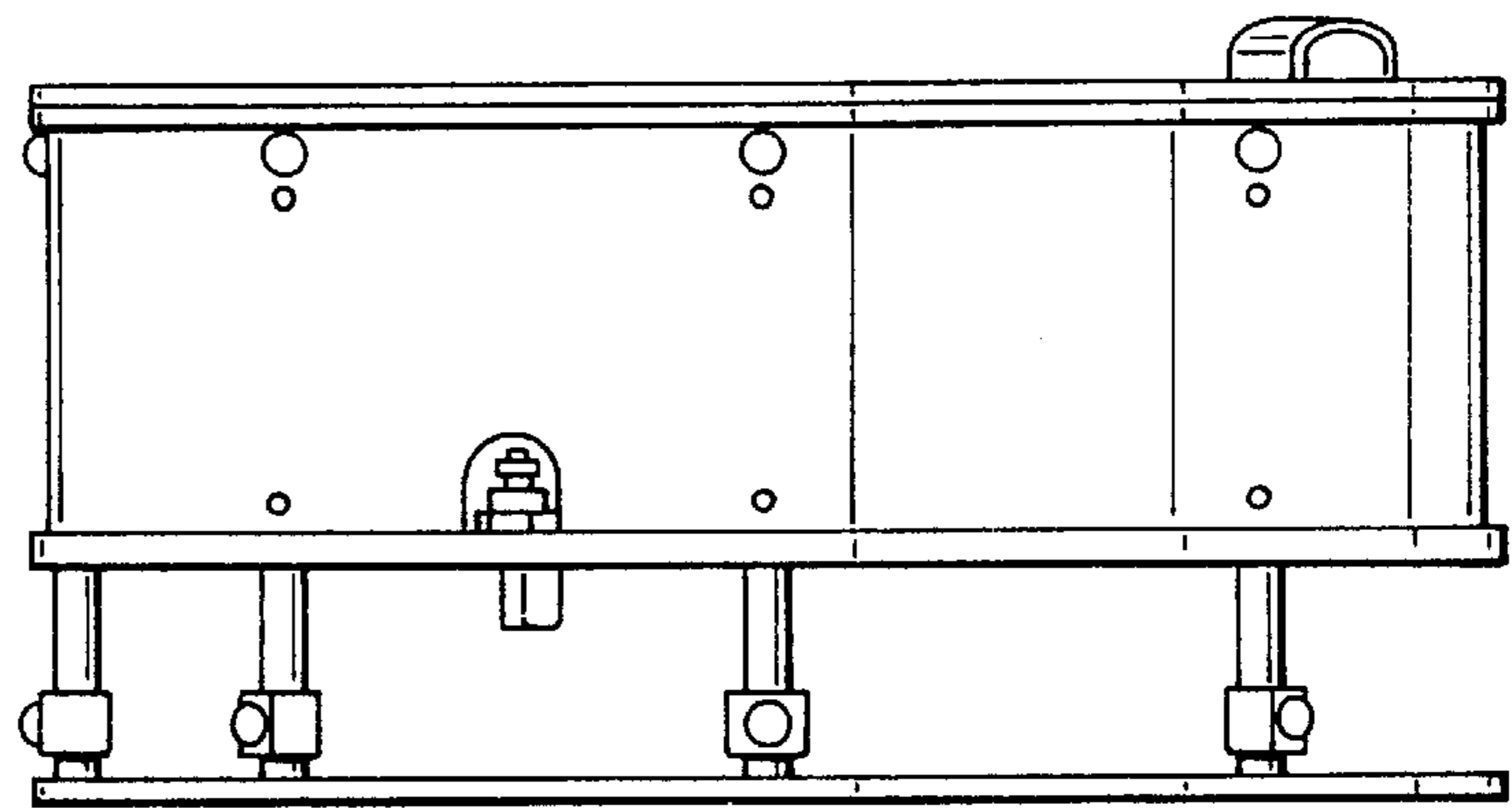


FIG. 4.

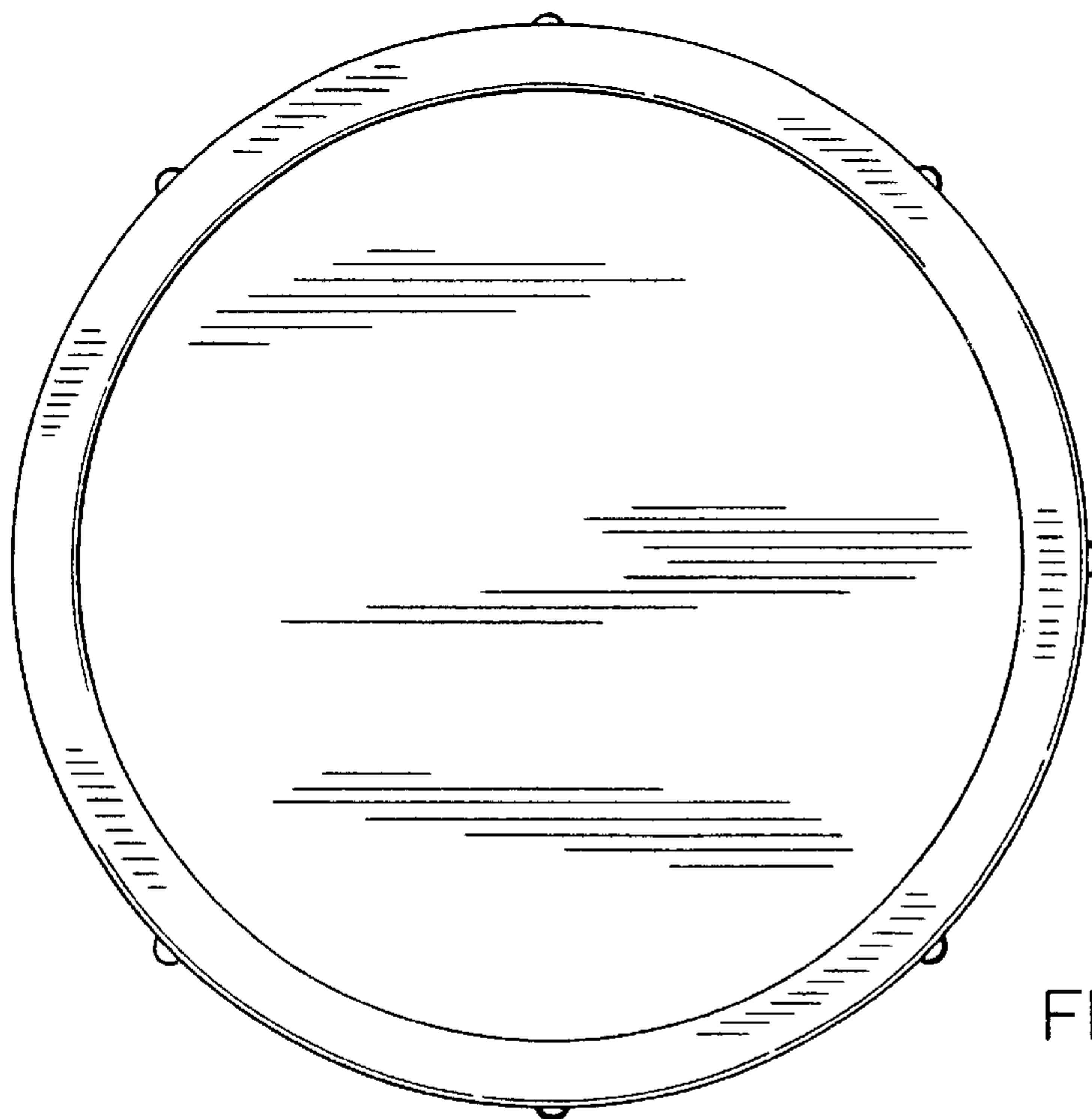


FIG. 5.