



US00D466607S

(12) **United States Design Patent**  
**Cise et al.**

(10) **Patent No.:** **US D466,607 S**

(45) **Date of Patent:** **\*\* Dec. 3, 2002**

(54) **FLEXIBLE CONNECTOR**

(75) Inventors: **David M. Cise**, Herriman, UT (US);  
**Edward B. Madsen**, Riverton, UT  
(US); **L. John Teuscher**, Springville,  
UT (US)

(73) Assignee: **Kimberly-Clark Worldwide, Inc.**,  
Neenah, WI (US)

(\*\*) Term: **14 Years**

(21) Appl. No.: **29/147,315**

(22) Filed: **Aug. 27, 2001**

(51) **LOC (7) Cl.** ..... **29-02**

(52) **U.S. Cl.** ..... **D24/110; D24/129**

(58) **Field of Search** ..... D24/129, 112,  
D24/110, 110.5, 164; D23/263, 264, 266;  
138/118, 114, 121, 116, 125, 117; 285/226,  
223, 232, 224, 235; 128/202.27, 205.25,  
912, 911, 207.14, 203.12, 204.18; 604/533,  
523, 535, 538

(56) **References Cited**

**U.S. PATENT DOCUMENTS**

2,453,475 A	11/1948	Tobias	
2,912,982 A	11/1959	Barsky	
3,202,150 A	8/1965	Miller	
3,219,034 A	11/1965	Kalenik	
3,273,916 A	9/1966	Tillery	
3,388,705 A	6/1968	Grosshandler	
3,409,224 A	11/1968	Harp et al.	
3,443,564 A	5/1969	Oehmig	
3,461,877 A	8/1969	Morch	
D221,078 S	* 7/1971	Seckel	..... D23/266
3,599,642 A	8/1971	Tindel	
3,714,944 A	2/1973	Price	
3,856,051 A	12/1974	Bain	
3,860,978 A	1/1975	Wirth	
3,873,137 A	3/1975	Yamaguchi	
3,929,165 A	12/1975	Diebolt et al.	
3,948,274 A	4/1976	Zeldman et al.	
4,050,466 A	9/1977	Koerbacher	
4,113,828 A	9/1978	Kramer et al.	

4,182,344 A	1/1980	Benson
4,222,378 A	9/1980	Mhoney
4,224,939 A	9/1980	Lang
4,275,724 A	6/1981	Behrstock
4,328,798 A	5/1982	Isaacson
4,340,046 A	7/1982	Cox
4,340,089 A	7/1982	Von Arnim et al.
4,385,629 A	5/1983	Wolf et al.
4,392,490 A	7/1983	Mattingly et al.
4,416,273 A	11/1983	Grimes
4,462,397 A	7/1984	Suzuki
4,516,573 A	5/1985	Gedeon
4,593,690 A	6/1986	Sheridan et al.

(List continued on next page.)

**FOREIGN PATENT DOCUMENTS**

EP	0579384 A1	1/1994
EP	0613650 A3	9/1994
GB	1584365	2/1981
WO	01/23025 A1	4/2001
WO	01/24861 A1	4/2001

*Primary Examiner*—Ian Simmons

(74) *Attorney, Agent, or Firm*—William W. Letson; Nancy M. Klembus

(57) **CLAIM**

The ornamental design for a flexible connector, as shown and described.

**DESCRIPTION**

FIG. 1 is a perspective view of the flexible connector of the present invention.

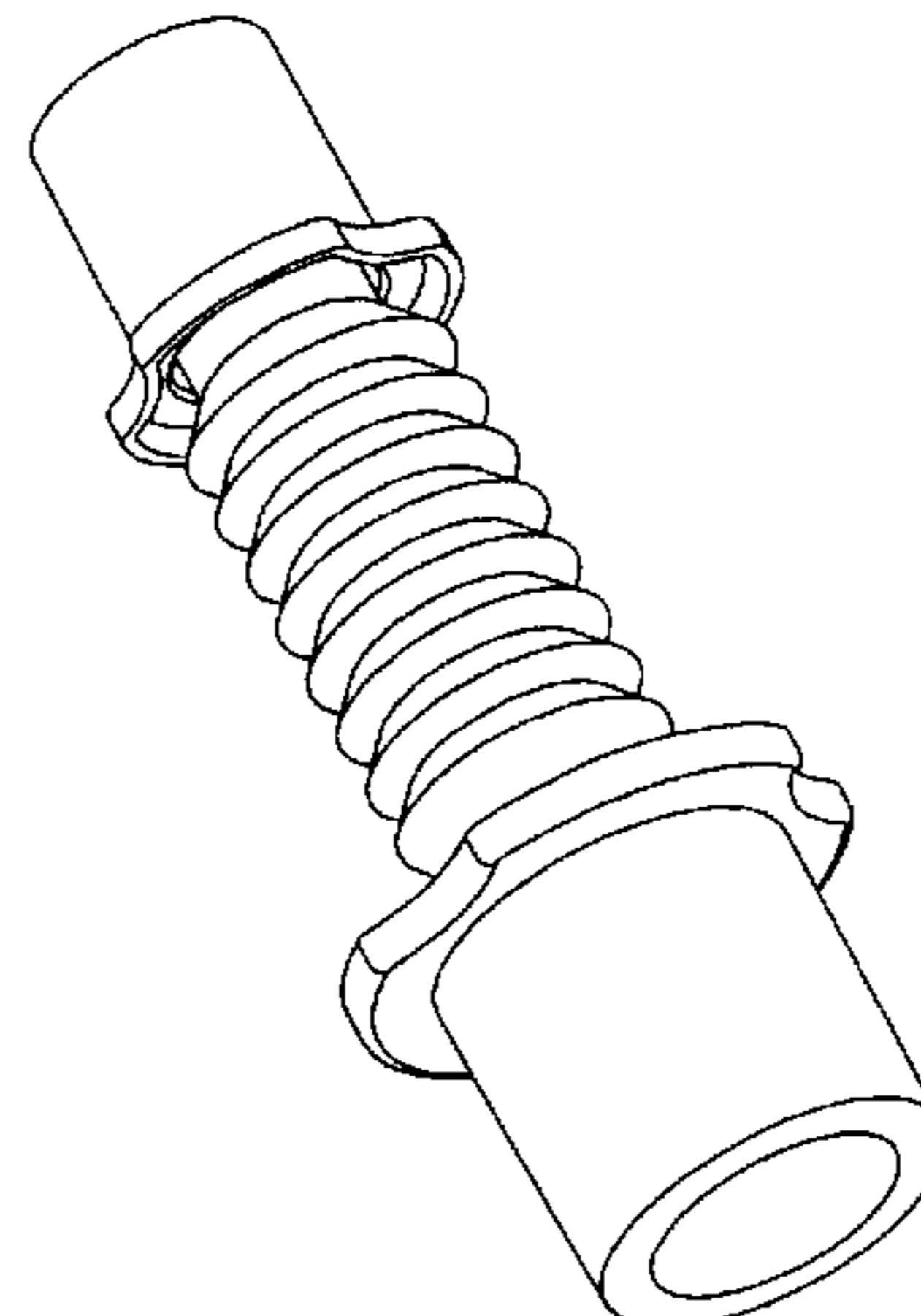
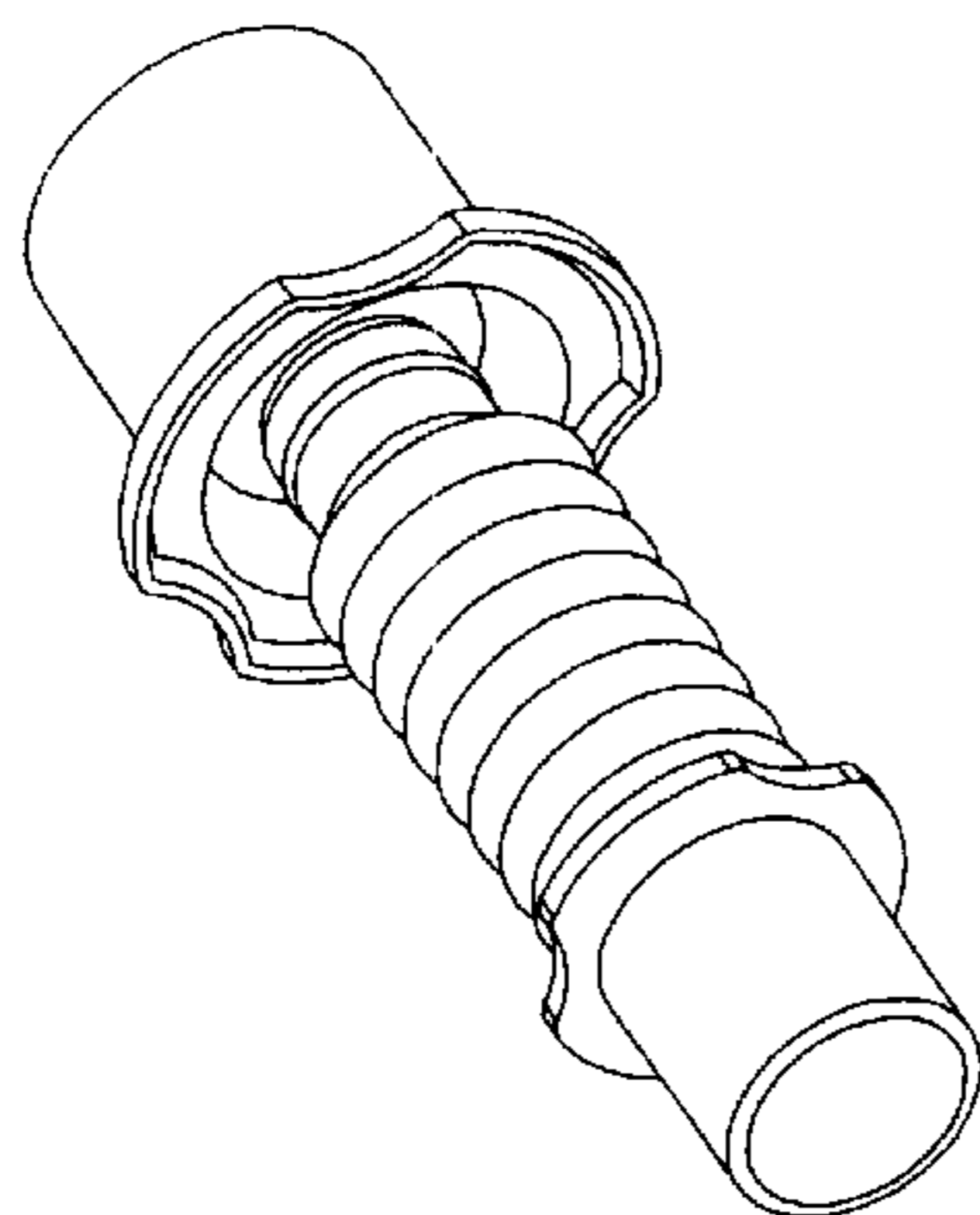
FIG. 2 is another perspective view of the flexible connector of the present invention.

FIG. 3 is an end view of the flexible connector depicted in FIG. 4.

FIG. 4 is a side view of the flexible connector of the present invention; and,

FIG. 5 is another end view of the flexible connector depicted in FIG. 4.

**1 Claim, 2 Drawing Sheets**



# US D466,607 S

Page 2

U.S. PATENT DOCUMENTS					
			5,866,853 A	2/1999	Sheehan
4,621,634 A	11/1986	Nowacki et al.	5,891,110 A	4/1999	Larson et al.
4,784,639 A	11/1988	Patel	5,897,537 A	4/1999	Berg et al.
4,787,655 A	11/1988	Gross et al.	5,901,705 A	5/1999	Leagre
4,846,510 A	7/1989	Mikol	5,908,446 A	6/1999	Imran
4,852,564 A	8/1989	Sheridan et al.	5,910,129 A	6/1999	Koblish et al.
4,921,147 A	5/1990	Poirier	5,911,595 A	6/1999	Orr et al.
4,927,191 A	5/1990	Mikol	5,911,596 A	6/1999	Antonuccio et al.
4,938,587 A	7/1990	Namioka et al.	5,911,715 A	6/1999	Berg et al.
5,027,809 A	7/1991	Robinson	5,921,957 A	7/1999	Killion et al.
5,121,746 A	6/1992	Sikora	5,924,421 A	7/1999	Rosbrook et al.
5,284,160 A	2/1994	Dryden	5,924,899 A	7/1999	Paagman
5,311,753 A	5/1994	Kanao	5,934,931 A	8/1999	Castaldo
5,333,608 A	8/1994	Cummins	5,938,587 A	8/1999	Taylor et al.
5,363,882 A	11/1994	Chikama	5,944,697 A	8/1999	Biche
5,377,670 A	1/1995	Smith	5,951,317 A	9/1999	Tracy et al.
5,386,826 A	2/1995	Inglis et al.	5,951,489 A	9/1999	Bauer
5,404,873 A	4/1995	Leagre et al.	5,957,134 A	9/1999	Lee
5,431,157 A	7/1995	Mourkidou et al.	5,957,941 A	9/1999	Ream
5,431,637 A	7/1995	Okada et al.	5,961,446 A	10/1999	Beller et al.
5,482,089 A	1/1996	Siegfried et al.	5,961,510 A	10/1999	Fugoso et al.
5,485,835 A *	1/1996	Vande Streek et al. . 128/203.12	5,964,796 A	10/1999	Imran
5,507,319 A	4/1996	Weber et al.	5,987,344 A	11/1999	West
5,540,221 A	7/1996	Kaigler et al.	5,993,240 A	11/1999	Schaefer
5,546,934 A	8/1996	Kaigler et al.	5,993,783 A	11/1999	Eljamal et al.
5,558,371 A	9/1996	Lordo	5,996,581 A	12/1999	Duch
5,569,159 A	10/1996	Anderson et al.	6,003,836 A	12/1999	Cewers
5,632,734 A	5/1997	Galel et al.	6,005,188 A	12/1999	Teichler et al.
5,647,358 A *	7/1997	Vilasi ..... 128/207.14	6,007,370 A	12/1999	Langridge
5,680,859 A	10/1997	Urion et al.	6,009,872 A	1/2000	Delaplane et al.
5,688,121 A	11/1997	Davis	6,014,972 A	1/2000	Sladek
5,720,656 A	2/1998	Savage	6,016,800 A	1/2000	Century
5,735,266 A	4/1998	Smith	6,017,331 A	1/2000	Watts et al.
5,741,134 A	4/1998	Davis	6,041,825 A *	3/2000	Smith et al. .... 138/121
5,807,354 A	9/1998	Kenda	D424,687 S *	5/2000	Hoening et al. .... D24/110
5,823,184 A	10/1998	Gross	6,152,931 A	11/2000	Nadal et al.
5,839,911 A	11/1998	Dinkel	6,318,368 B1 *	11/2001	Morejon ..... 128/912
5,857,046 A	1/1999	Barkus et al.	6,394,142 B1 *	5/2002	Woelfel et al. .... 138/117
5,864,282 A	1/1999	Hannigan et al.	6,398,266 B1 *	6/2002	Crump ..... 138/121
D405,522 S *	2/1999	Hoening et al. .... D24/110			
5,864,938 A	2/1999	Gansel et al.			

\* cited by examiner

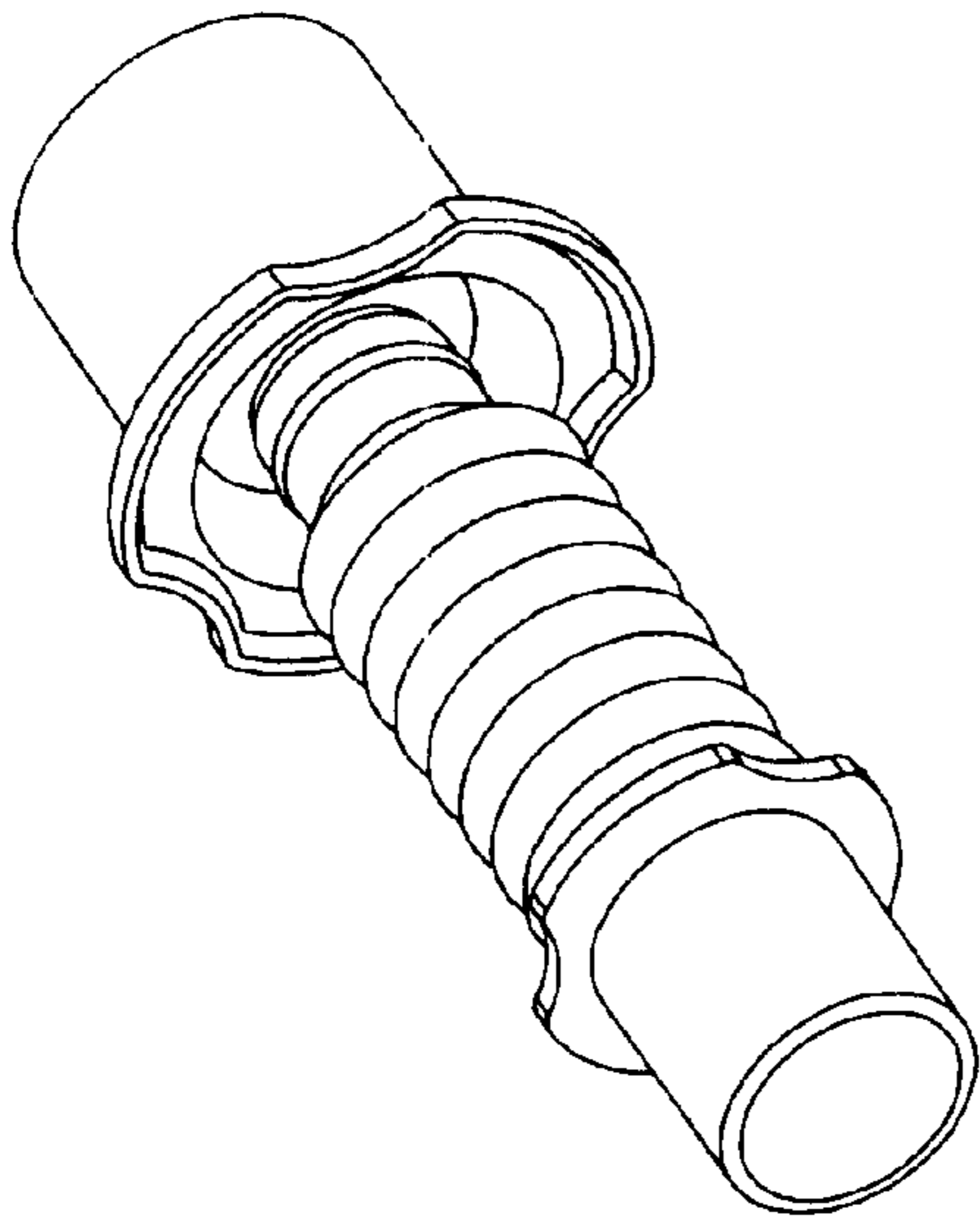


FIG. 1

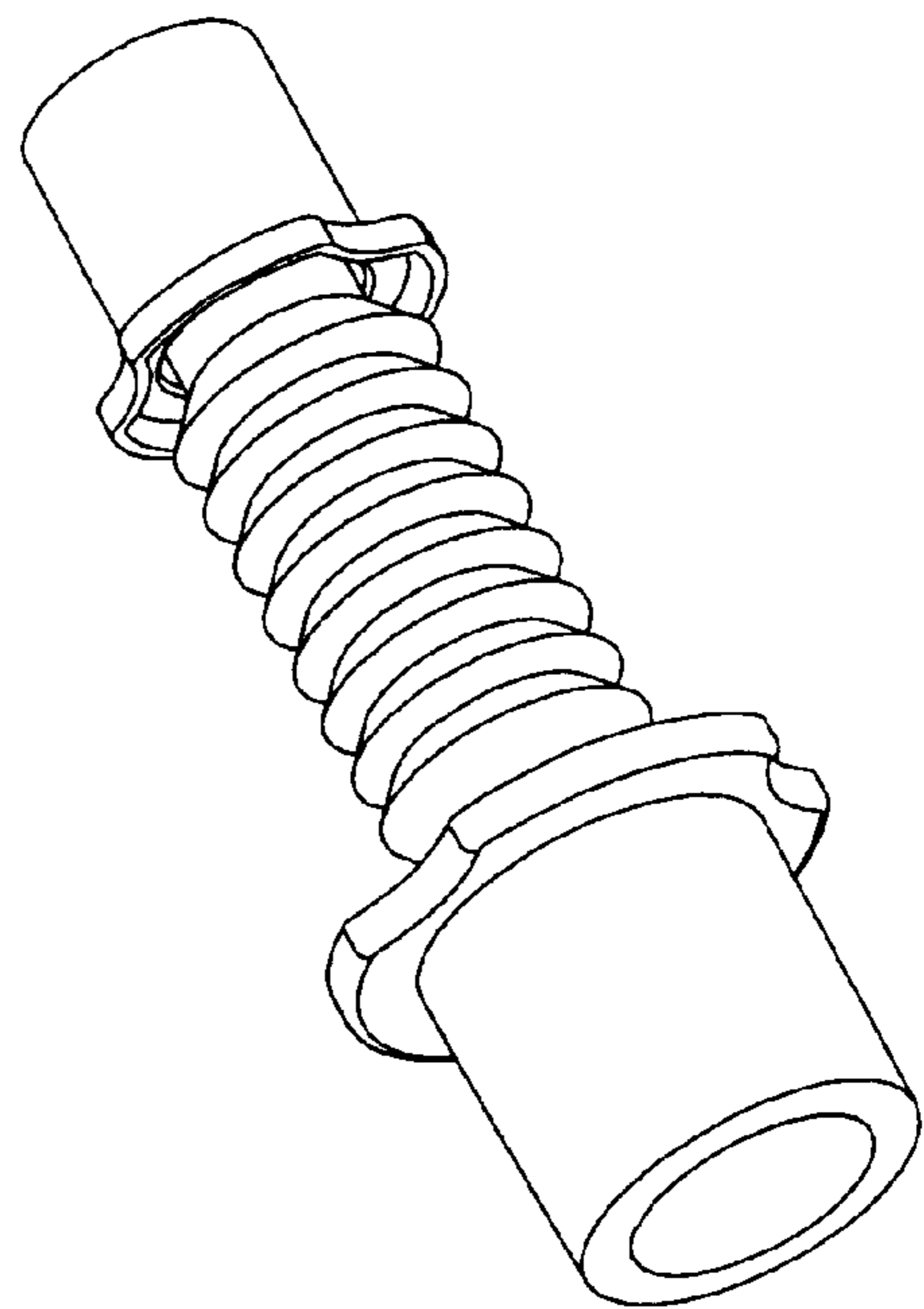


FIG. 2

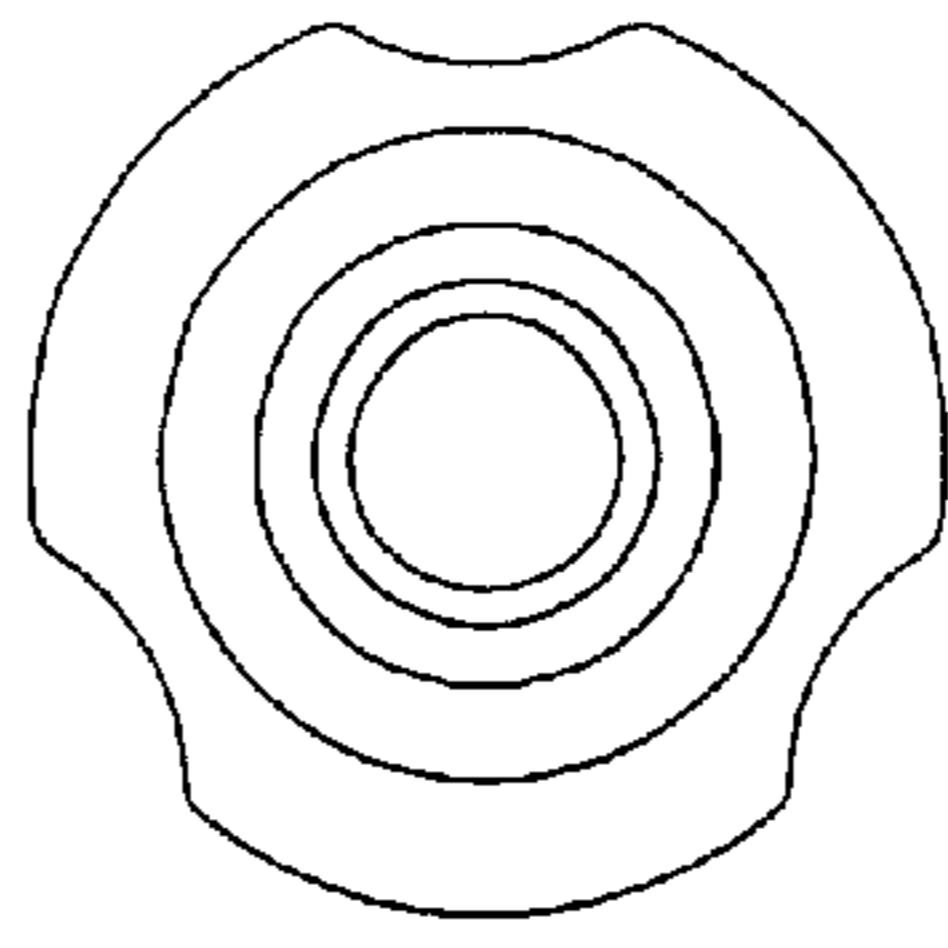


FIG. 3

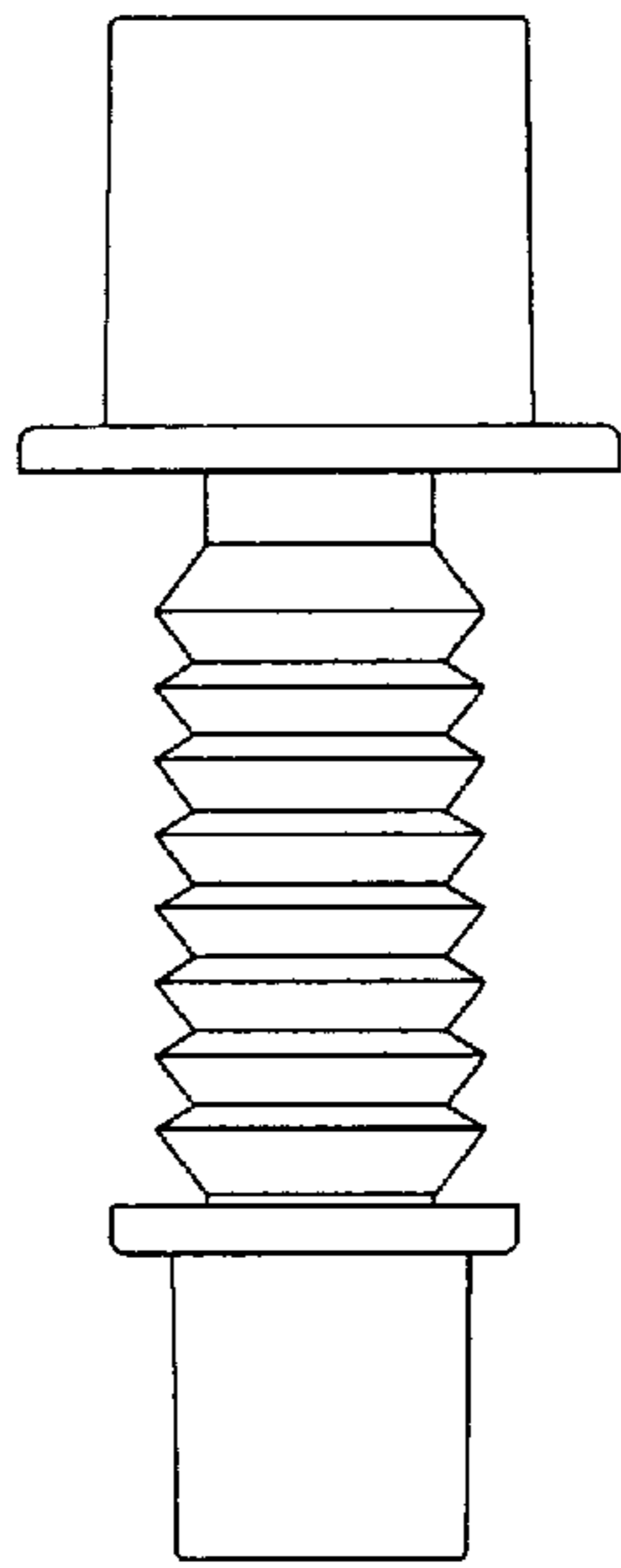


FIG. 4

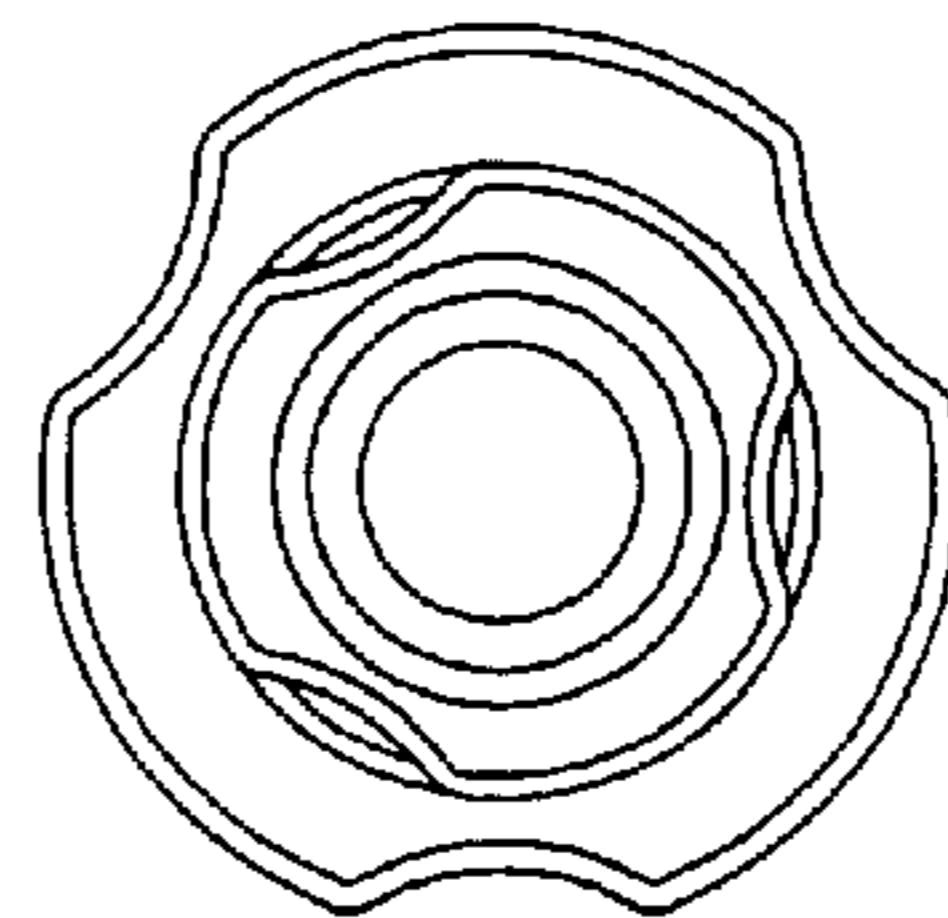


FIG. 5