



US00D466604S

(12) **United States Design Patent**
Harris et al.

(10) **Patent No.:** **US D466,604 S**

(45) **Date of Patent:** **** Dec. 3, 2002**

(54) **TILTABLE PERSONAL BATTERY POWERED FAN**

D108,142 S * 1/1938 Koch D23/382
D152,344 S * 6/1949 Lindberg D23/382

(75) Inventors: **David Harris**, Nashua, NH (US);
Steven Schwartz, Nashua, NH (US);
Rudy Woodard, Nashua, NH (US)

* cited by examiner

Primary Examiner—Lisa Lichtenstein
(74) *Attorney, Agent, or Firm*—Hayes Soloway P.C.

(73) Assignee: **Brookstone Company, Inc.**, Nashua, NH (US)

(57) **CLAIM**

(**) Term: **14 Years**

The ornamental design for a tiltable personal battery powered fan, as shown and described.

(21) Appl. No.: **29/143,240**

DESCRIPTION

(22) Filed: **Jun. 8, 2001**

FIG. 1 is a front elevational view of a tiltable personal battery powered fan showing our new design;
FIG. 2 is a right side elevational view thereof;
FIG. 3 is a rear side elevational view thereof;
FIG. 4 is a left side elevational view thereof;
FIG. 5 is a top plan view thereof; and,
FIG. 6 is a bottom plan view thereof.

(51) **LOC (7) Cl.** **23-04**

(52) **U.S. Cl.** **D23/382**

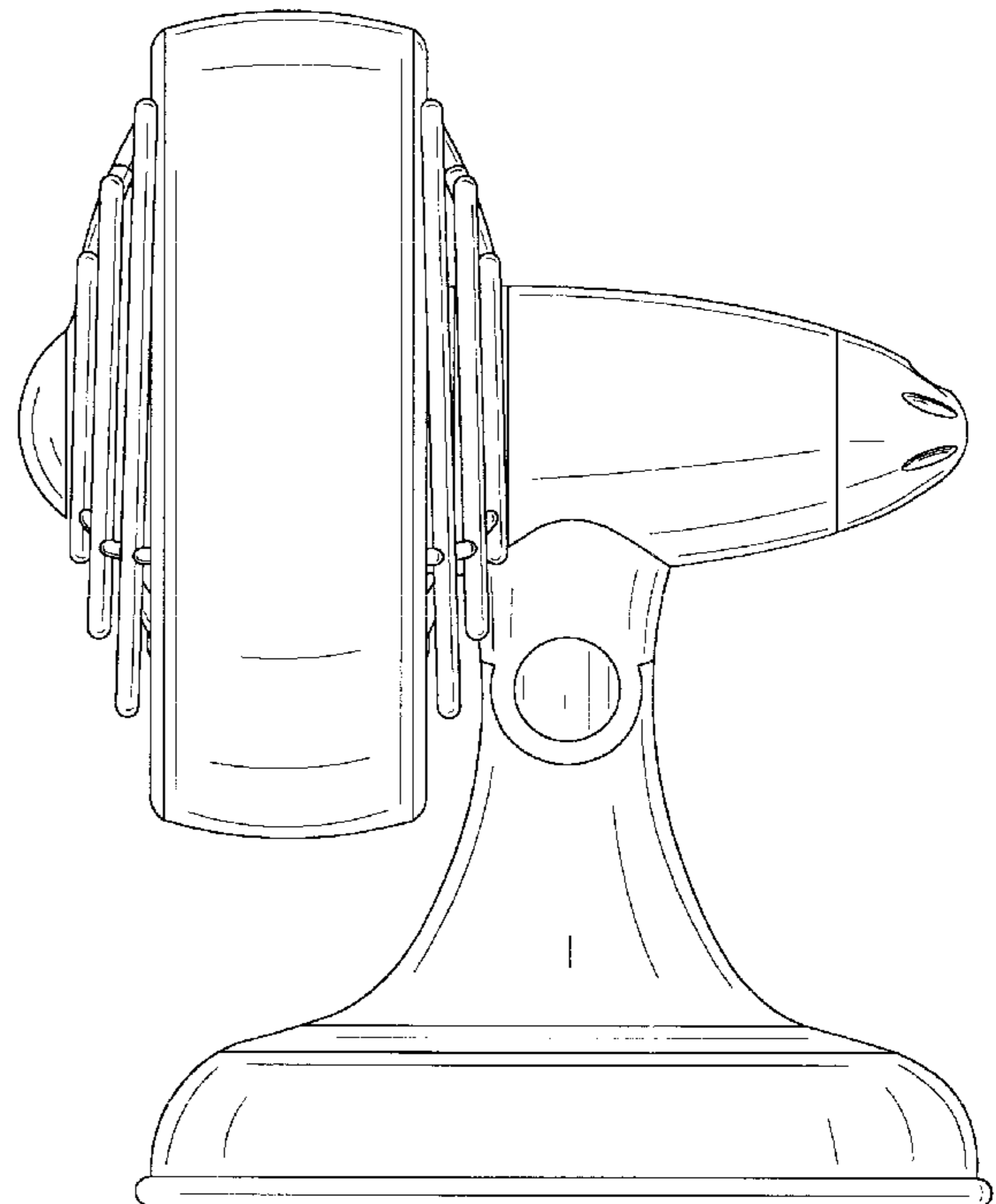
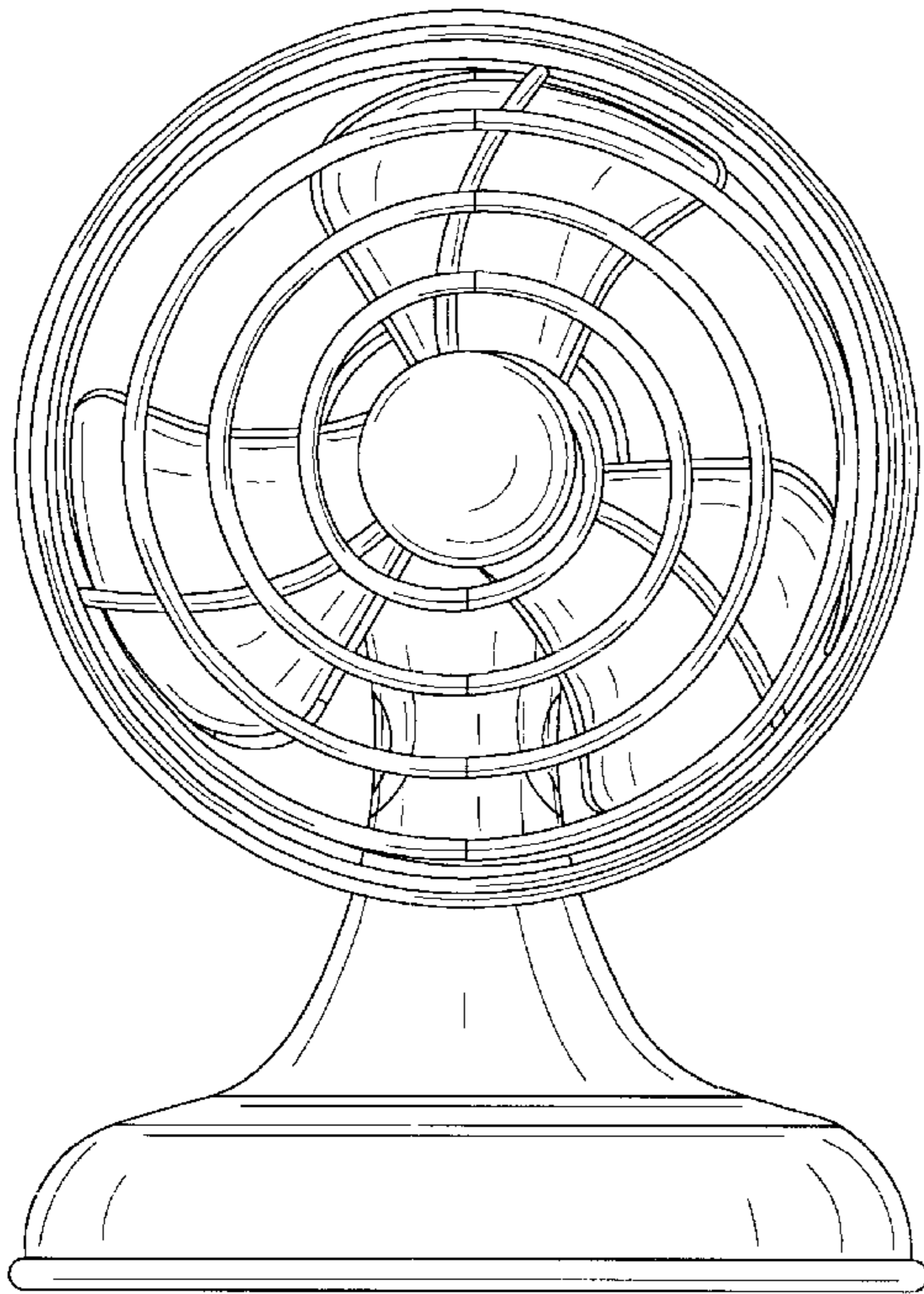
(58) **Field of Search** D23/380, 381,
D23/382, 411, 412; 416/247 R, 246

(56) **References Cited**

U.S. PATENT DOCUMENTS

D104,259 S * 4/1937 Heller D23/382

1 Claim, 3 Drawing Sheets



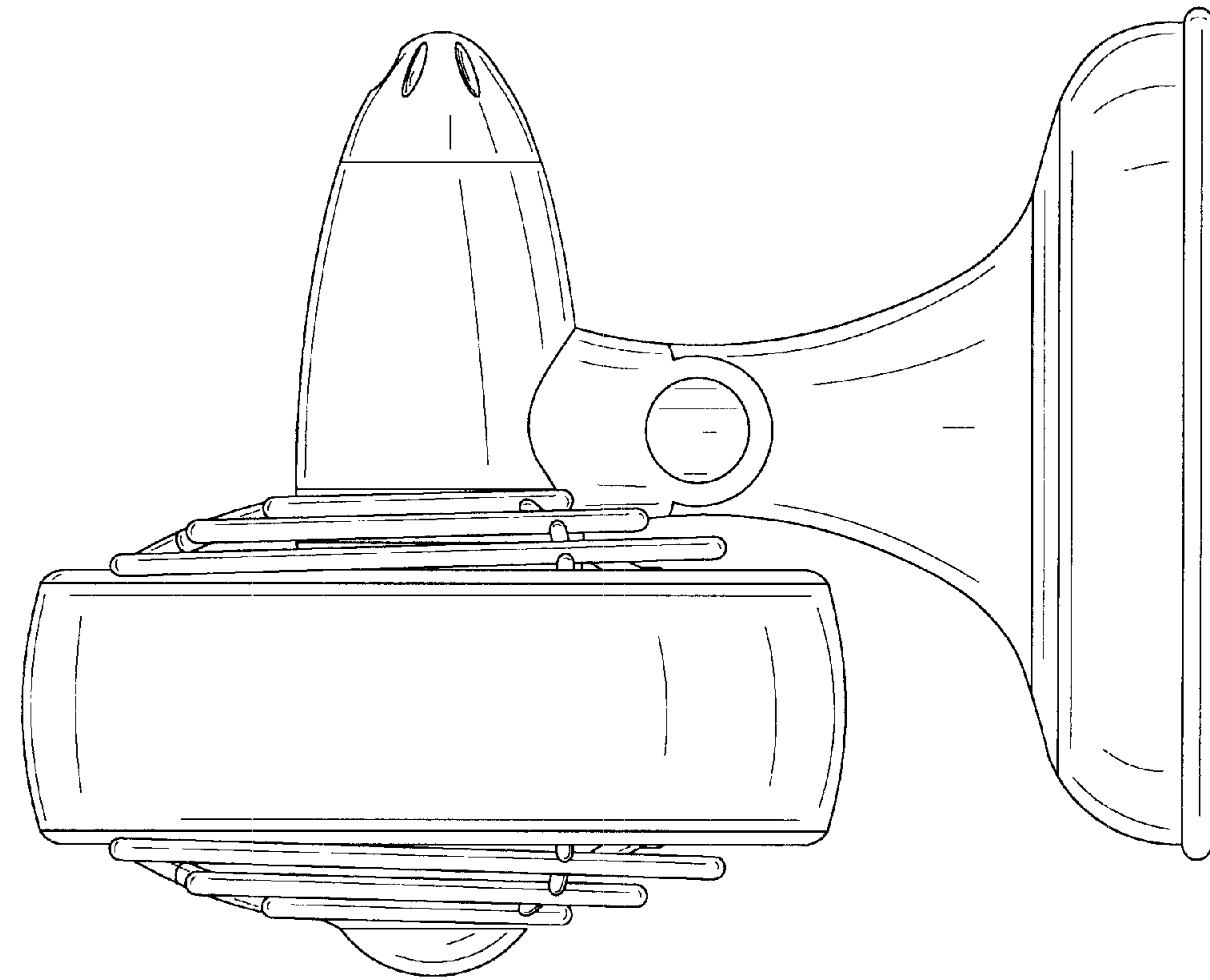


FIG. 2

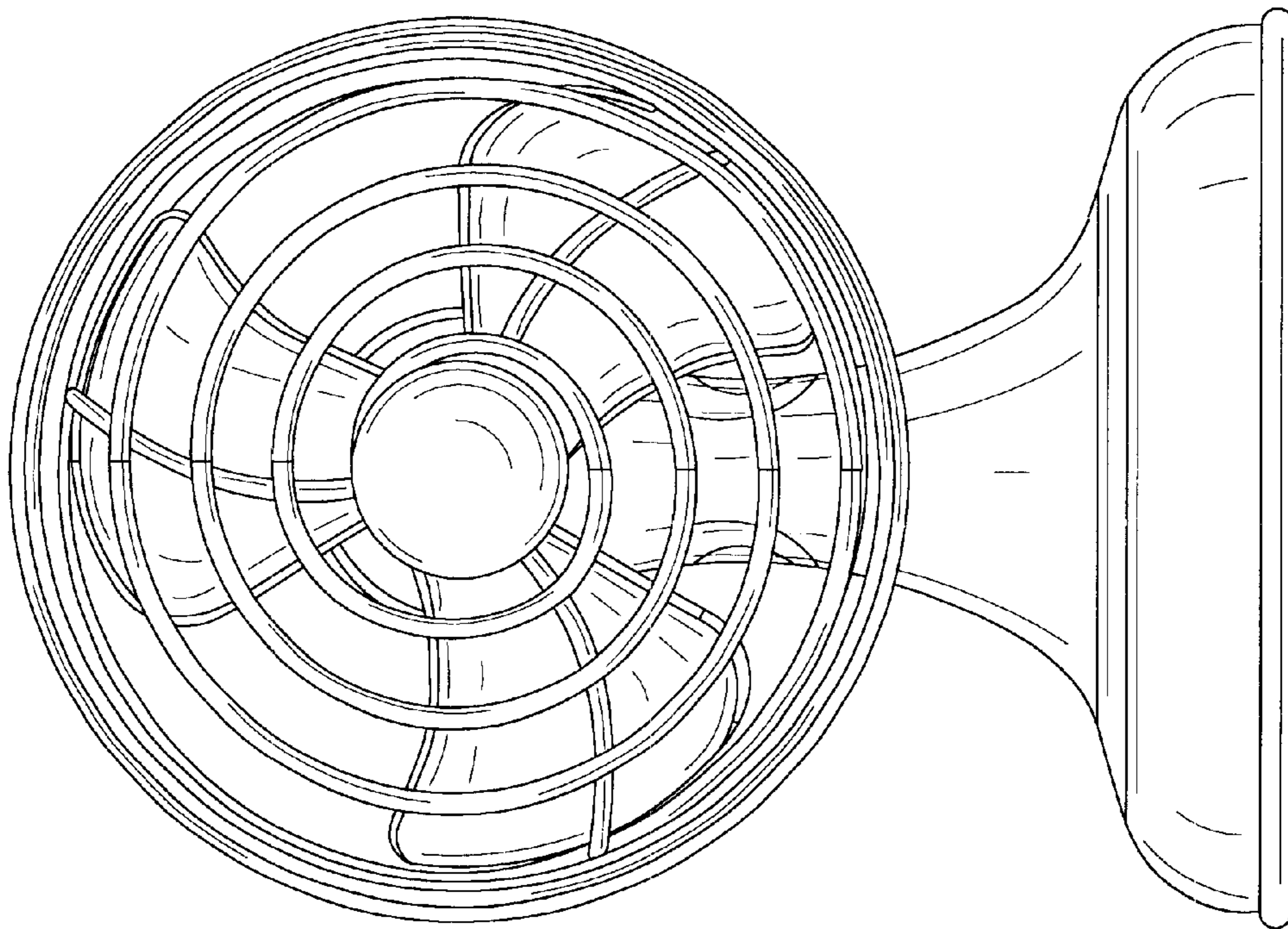


FIG. 1

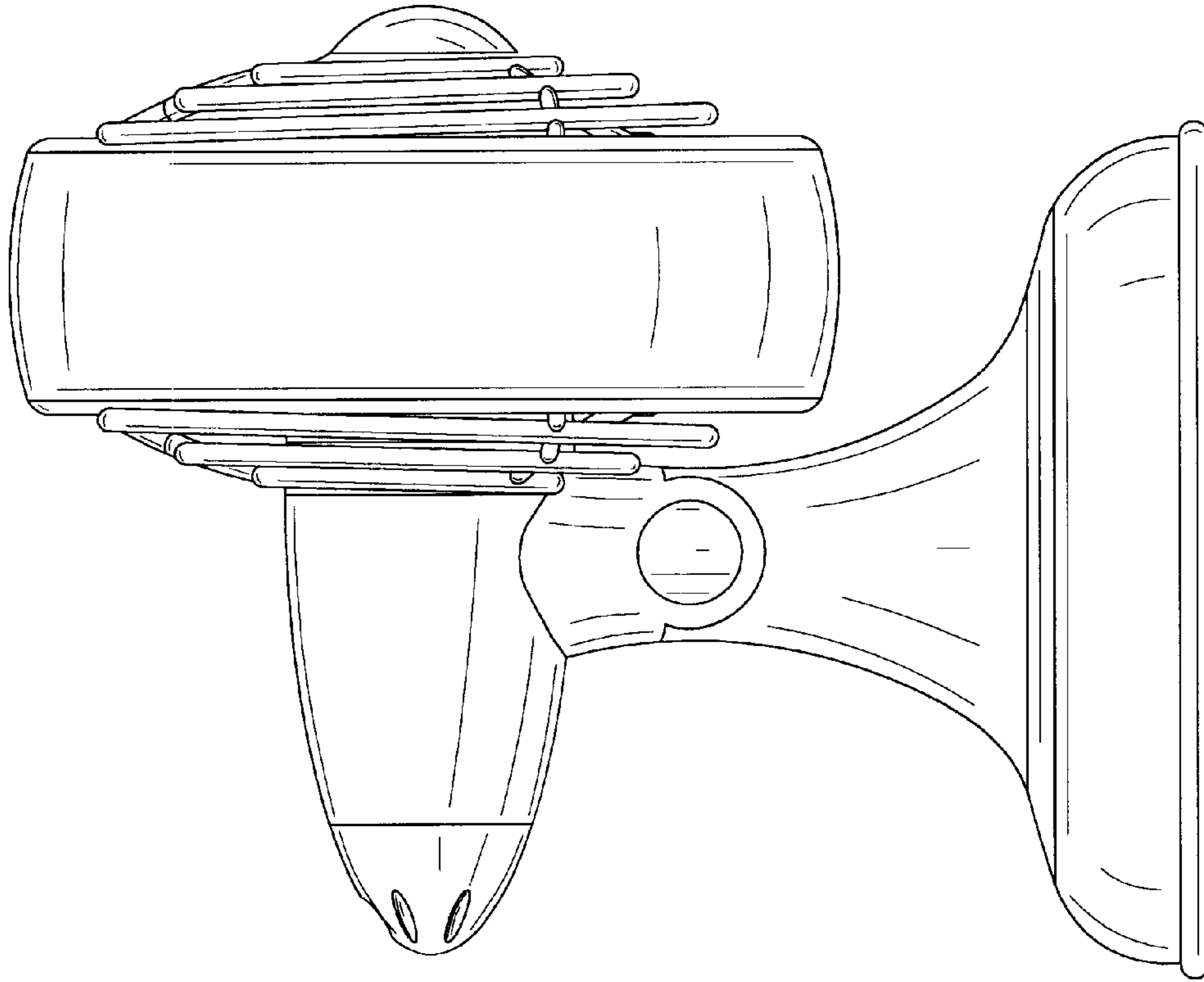


FIG. 4

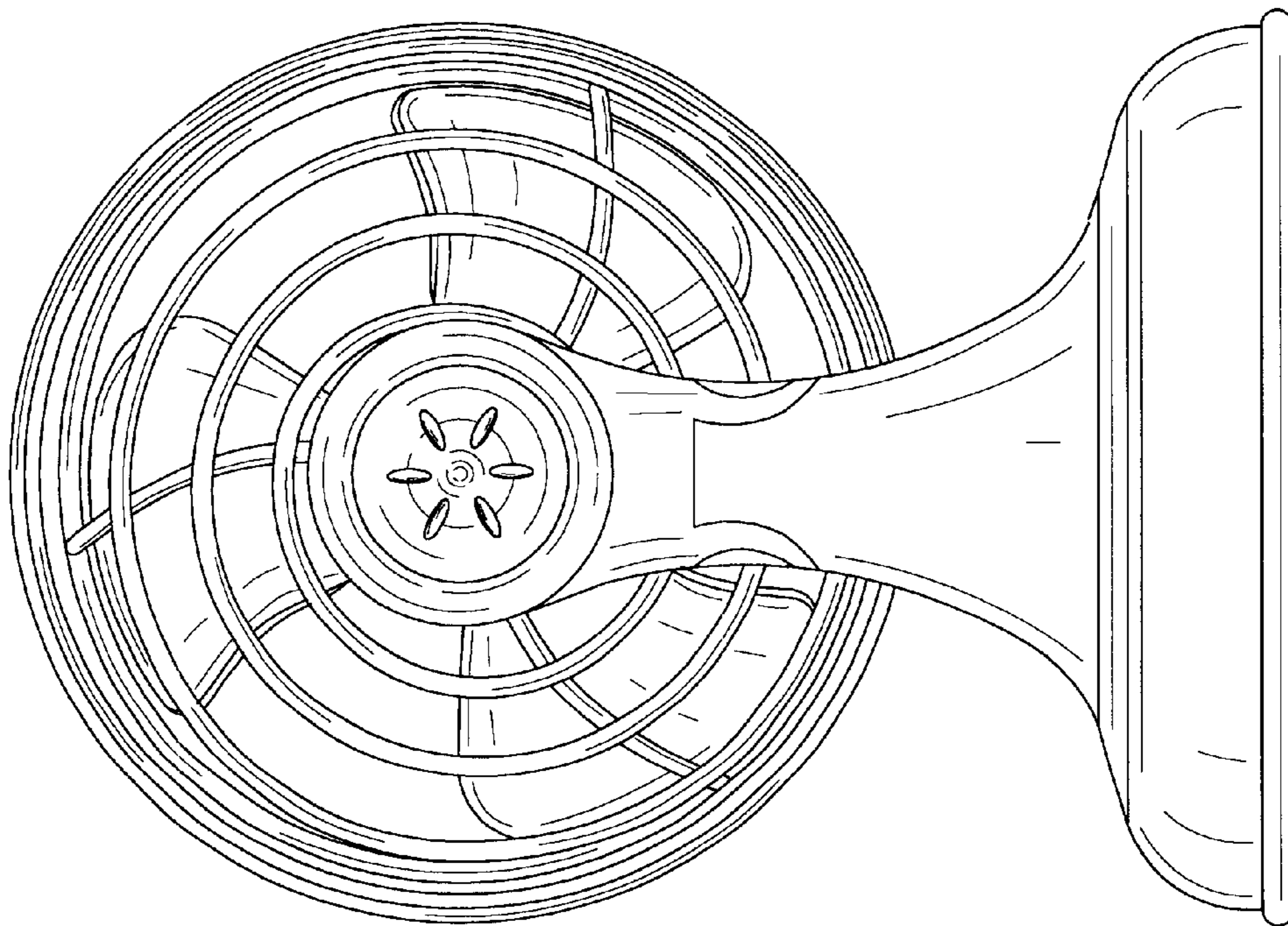


FIG. 3

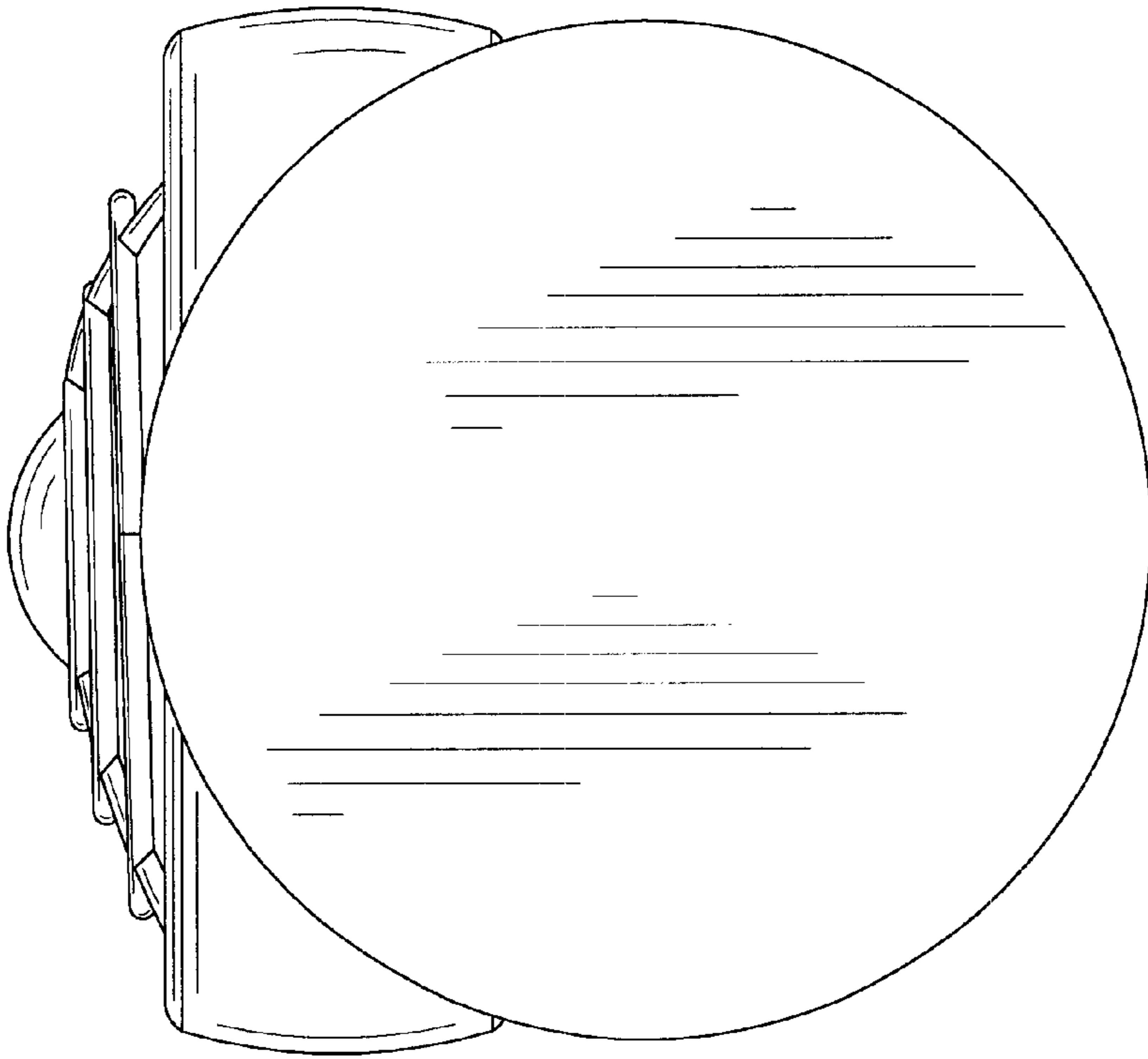


FIG. 6

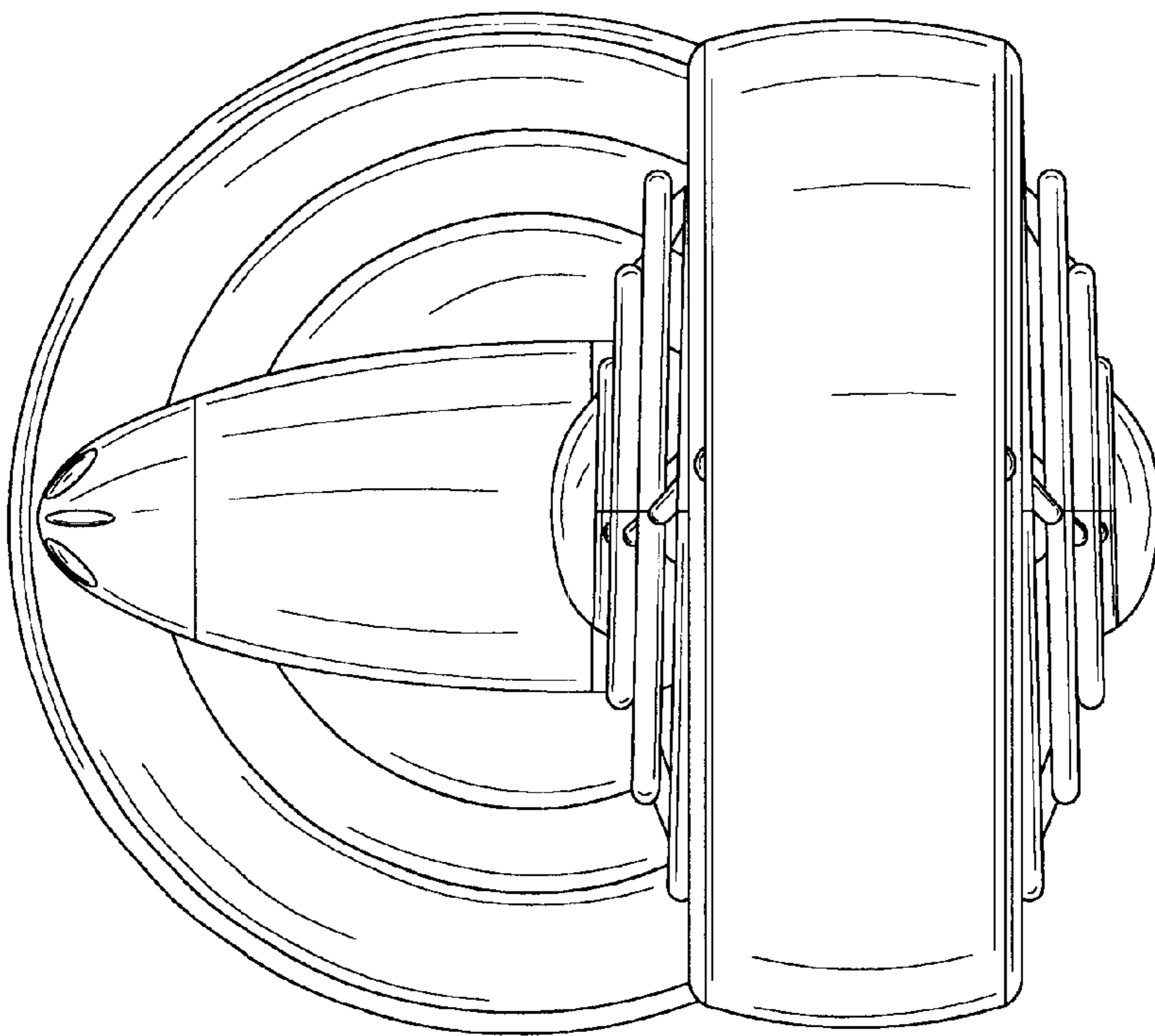


FIG. 5