

US00D466601S

(12) **United States Design Patent**
Servo et al.

(10) **Patent No.:** **US D466,601 S**

(45) **Date of Patent:** **** Dec. 3, 2002**

(54) **FASTENING STRIP FOR FASTENING A
FILTER CLOTH AGAINST A FILTER
SURFACE**

5,562,825 A * 10/1996 Yamada et al. 210/321.74
5,827,340 A * 10/1998 Fiske 55/385.6
6,203,592 B1 * 3/2001 Carawan 55/484

(75) Inventors: **Matti Servo**, Tampere (FI); **Anssi
Rantala**, Lempäälä (FI); **Vesa-Matti
Riihioja**, Tampere (FI)

* cited by examiner

Primary Examiner—Lisa Lichtenstein

(74) *Attorney, Agent, or Firm*—McDermott, Will & Emery

(73) Assignee: **Tamfelt Oyj Abp**, Tampere (FI)

(57) **CLAIM**

(**) Term: **14 Years**

The ornamental design for a fastening strip for fastening a filter cloth against a filter surface, as shown and described.

(21) Appl. No.: **29/140,397**

DESCRIPTION

(22) Filed: **Apr. 18, 2001**

FIG. 1 is a perspective front, top and side view of a fastening strip for fastening a filter cloth against a filter surface showing our new design;

(51) **LOC (7) Cl.** **23-04**

(52) **U.S. Cl.** **D23/365**

(58) **Field of Search** D23/365; 55/500,
55/581

FIG. 2 is a front view thereof; the rear view being a mirror image;

FIG. 3 is a top view thereof;

FIG. 4 is a side view thereof; the other side being a mirror image; and,

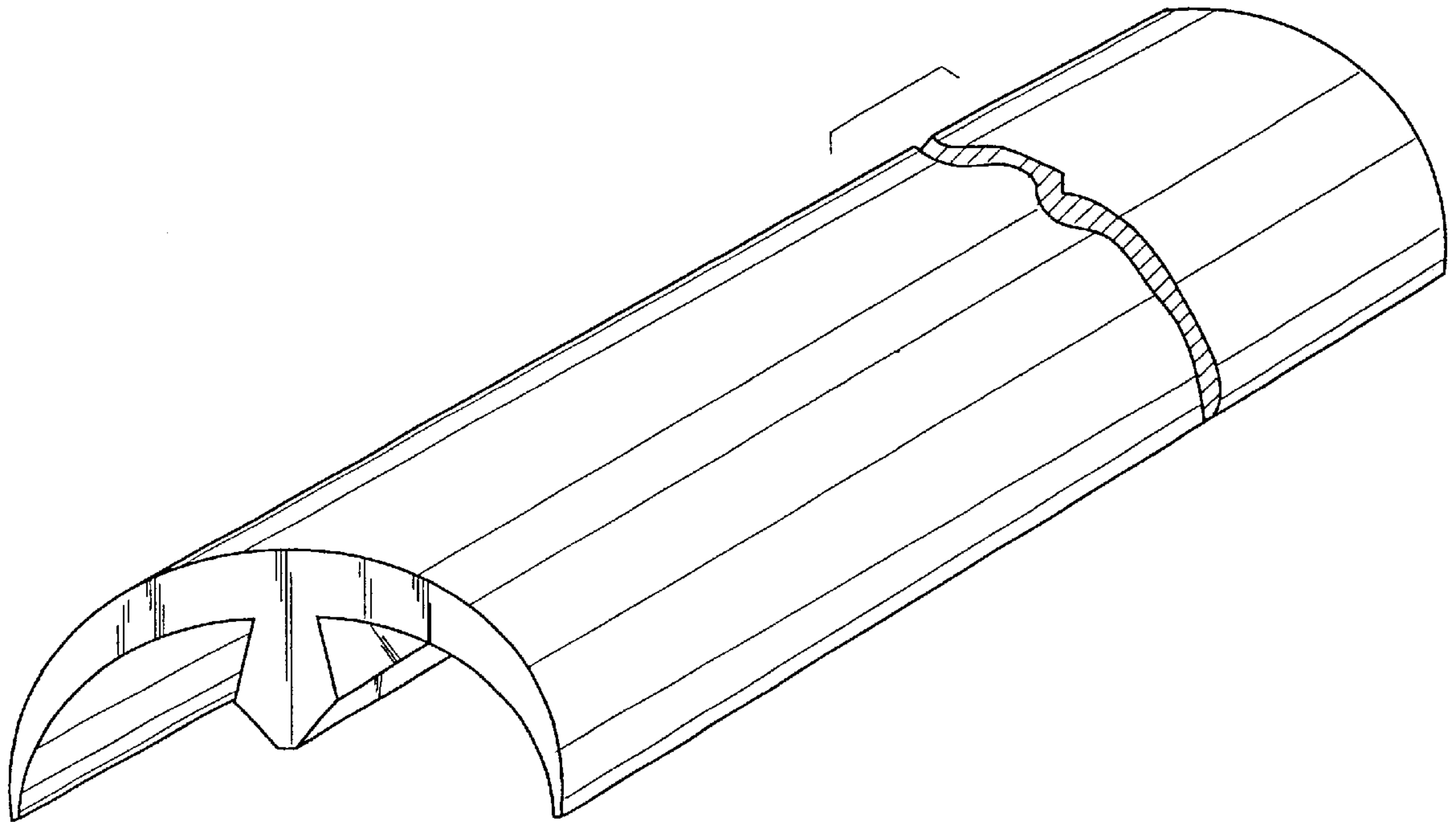
FIG. 5 is a bottom view thereof.

(56) **References Cited**

U.S. PATENT DOCUMENTS

3,373,546 A * 3/1968 Sefnan 160/391

1 Claim, 2 Drawing Sheets



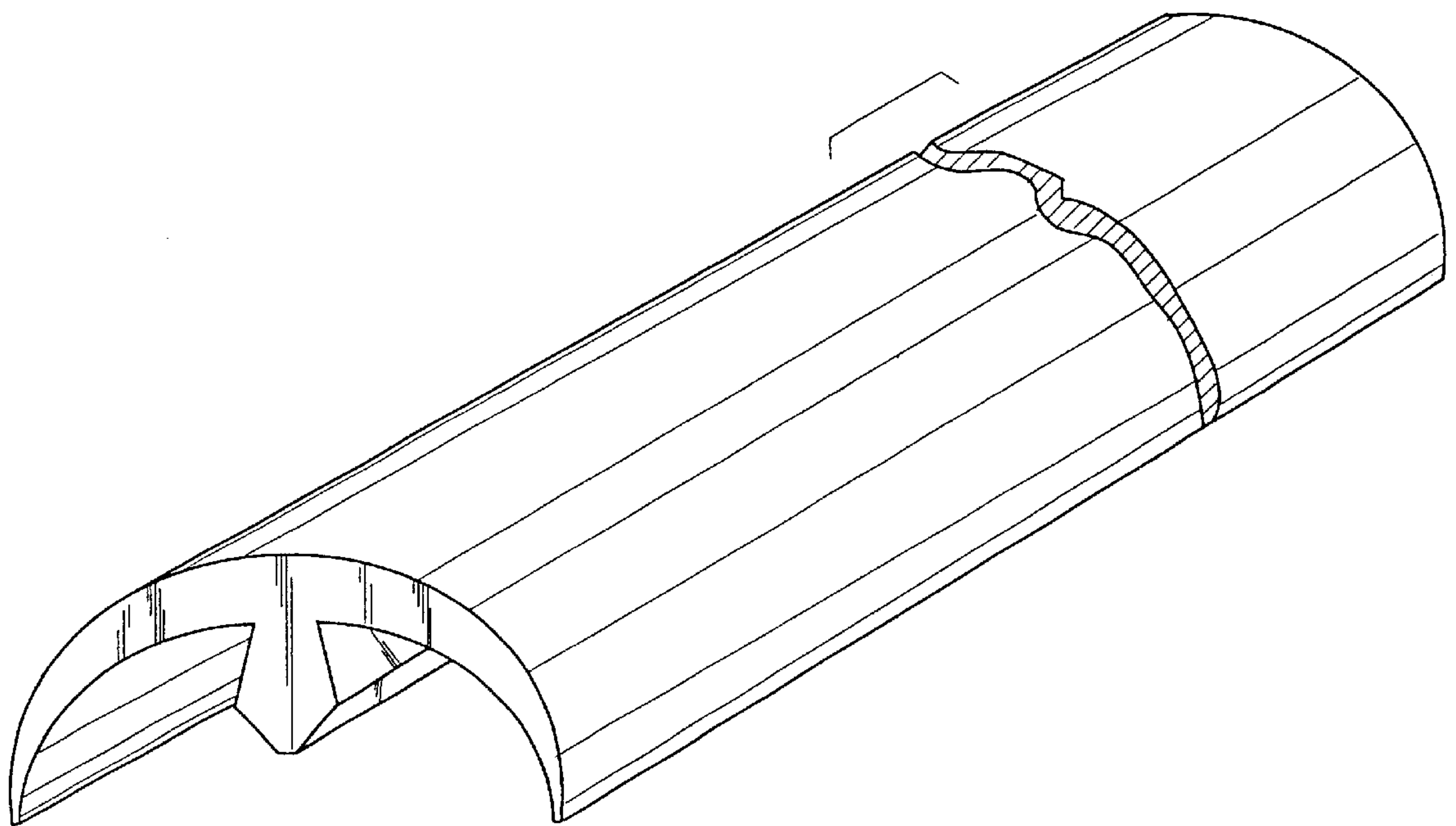


FIG. 1

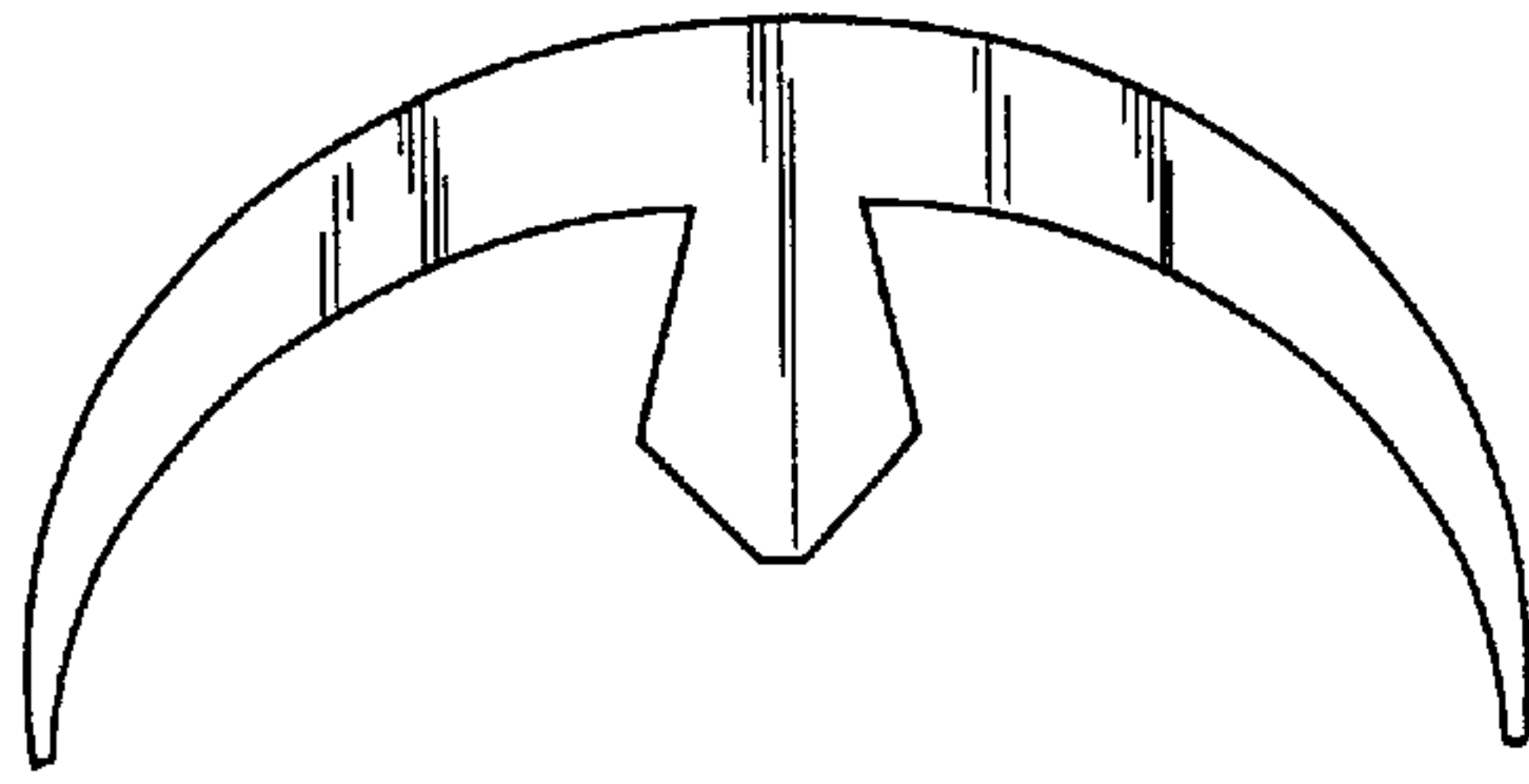


FIG. 2

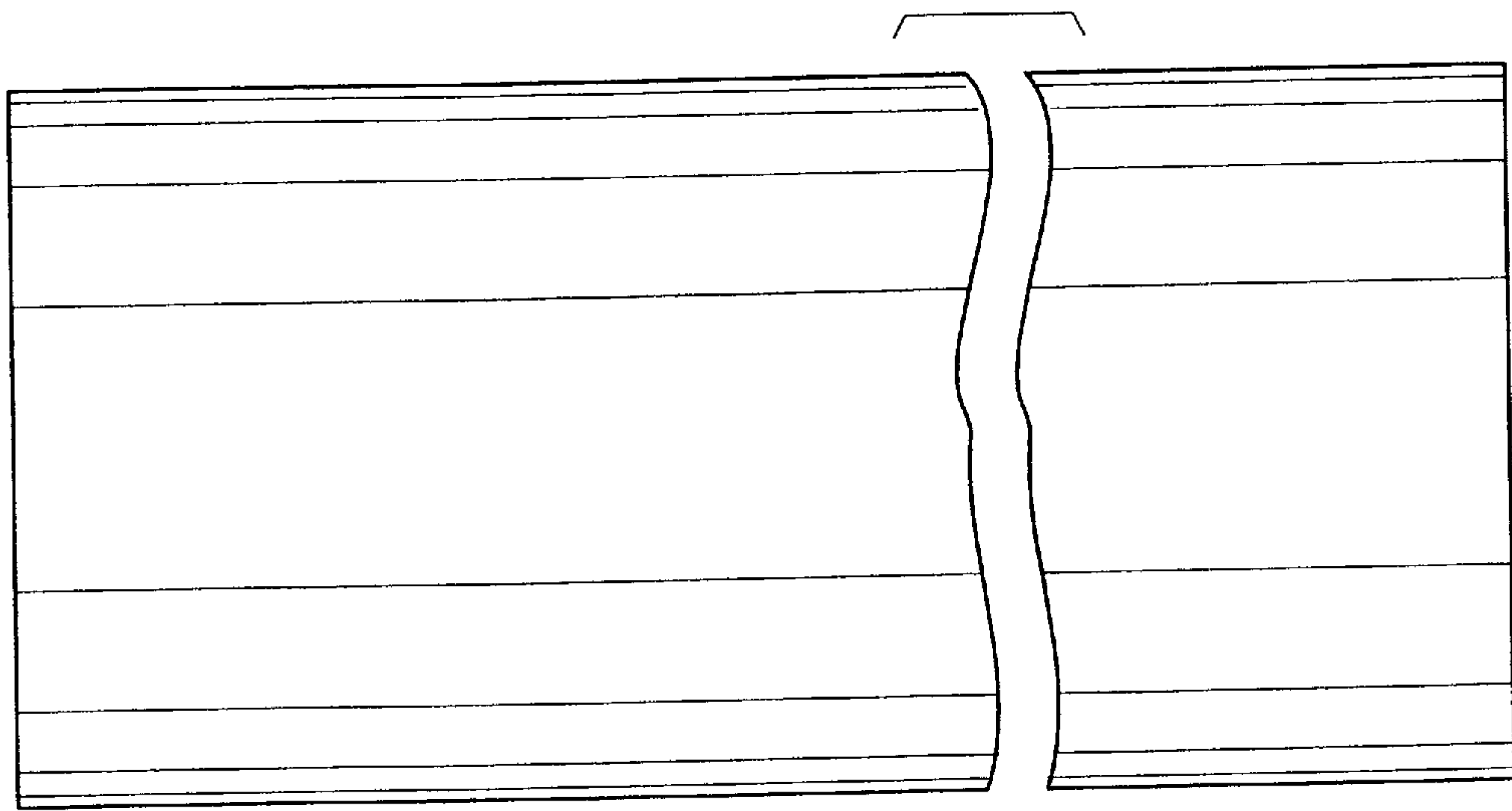


FIG. 3

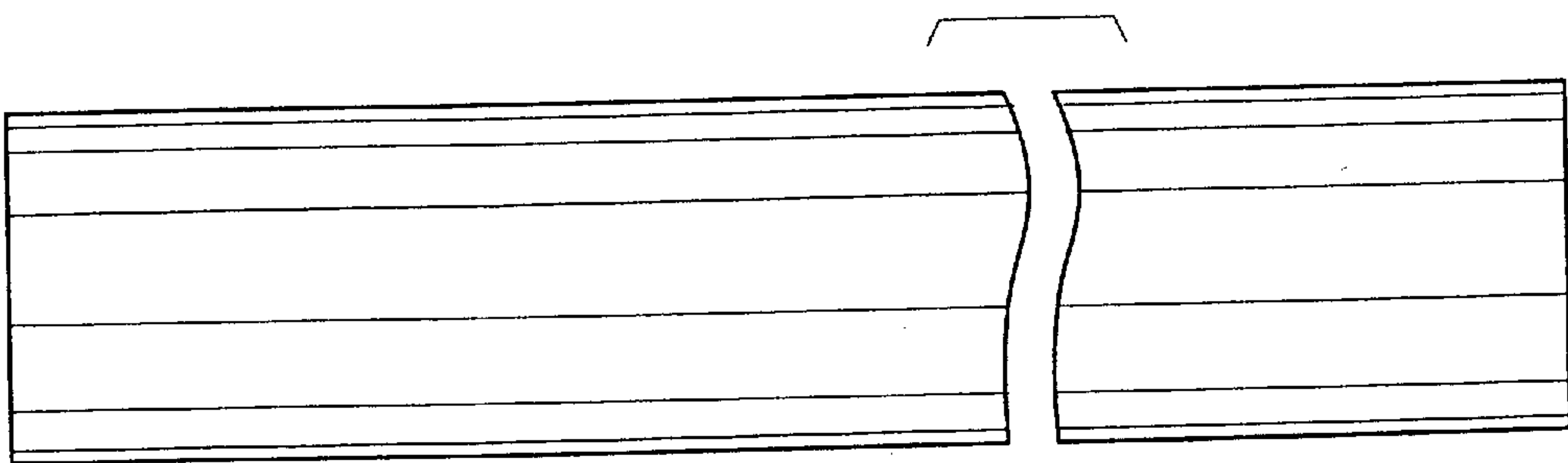


FIG. 4